

US00D648839S

(12) **United States Design Patent**
Garrels

(10) **Patent No.:** **US D648,839 S**
(45) **Date of Patent:** **** Nov. 15, 2011**

(54) **SHOWER BASE**

DESCRIPTION

(75) Inventor: **Clayton C. Garrels**, Sheboygan, WI (US)
(73) Assignee: **Kohler Co.**, Kohler, WI (US)
(**) Term: **14 Years**
(21) Appl. No.: **29/385,780**
(22) Filed: **Feb. 18, 2011**
(51) **LOC (9) Cl.** **23-02**
(52) **U.S. Cl.** **D23/304**
(58) **Field of Classification Search** D23/283,
D23/303-305; 4/596
See application file for complete search history.

(56) **References Cited**

U.S. PATENT DOCUMENTS

D254,748 S *	4/1980	Anderson	D23/283
D332,136 S *	12/1992	Salach	D23/283
D362,490 S *	9/1995	McAllister et al.	D23/283
D405,874 S *	2/1999	Jahnke et al.	D23/283

* cited by examiner

Primary Examiner — Robert Delehanty

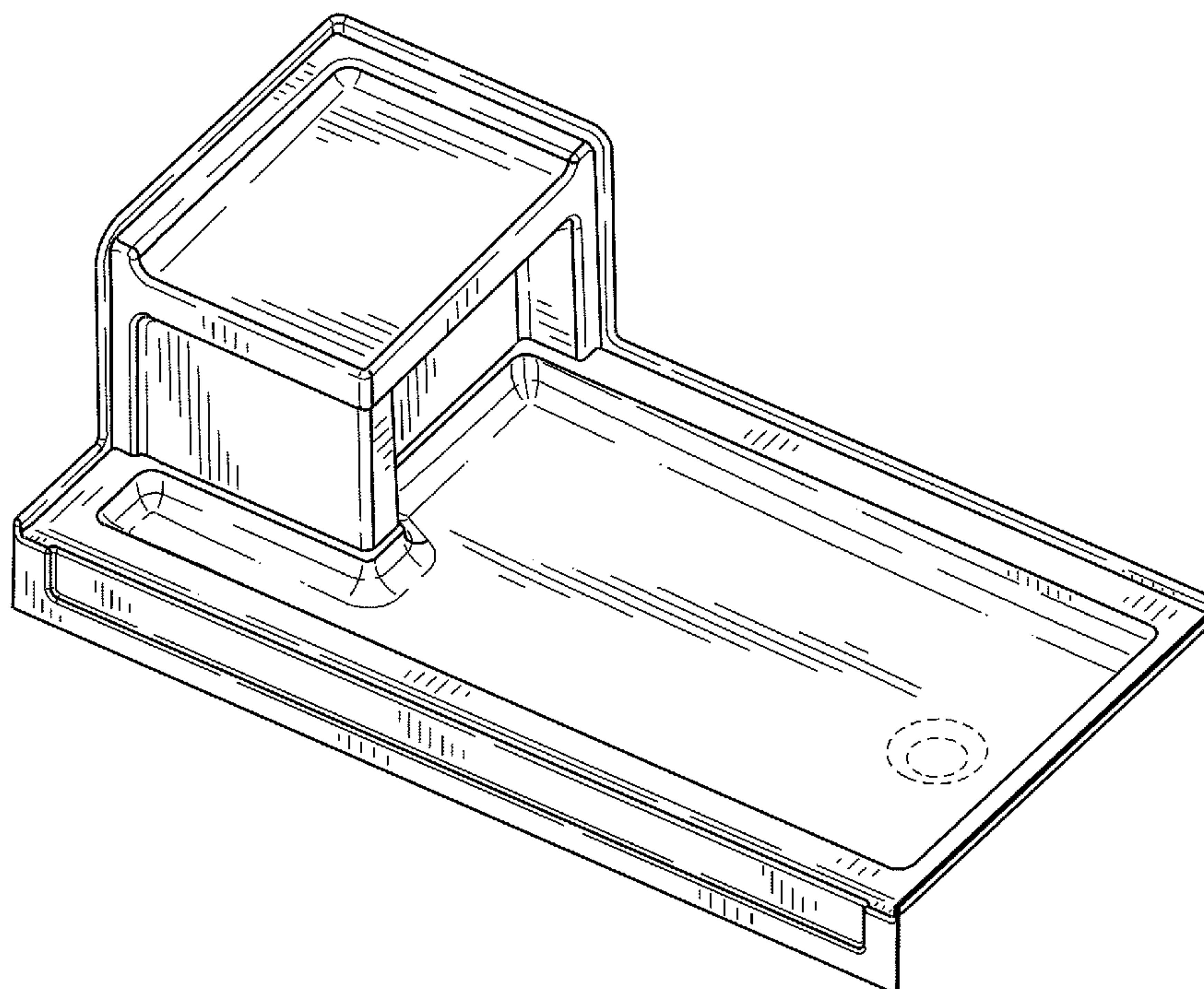
(74) *Attorney, Agent, or Firm* — Foley & Lardner LLP

(57) **CLAIM**

I claim the ornamental design for a shower base, as shown and described.

FIG. 1 is a top perspective view of an embodiment of the claimed design;
FIG. 2 is a top plan view of the claimed design of FIG. 1;
FIG. 3 is a left-side elevation view of the claimed design of FIG. 1;
FIG. 4 is a front elevation view of the claimed design of FIG. 1;
FIG. 5 is a rear elevation view of the claimed design of FIG. 1;
FIG. 6 is a right-side elevation view of the claimed design of FIG. 1;
FIG. 7 is a bottom plan view of the claimed design of FIG. 1;
FIG. 8 is a top perspective view of an embodiment of the claimed design;
FIG. 9 is a top plan view of the claimed design of FIG. 8;
FIG. 10 is a left-side elevation view of the claimed design of FIG. 8;
FIG. 11 is a front elevation view of the claimed design of FIG. 8;
FIG. 12 is a rear elevation view of the claimed design of FIG. 8;
FIG. 13 is a right-side elevation view of the claimed design of FIG. 8; and,
FIG. 14 is a bottom plan view of the claimed design of FIG. 8.
The ornamental design which is claimed is shown in solid lines in the drawings. The broken lines in the drawings are for illustrative purposes only and form no part of the claimed design.

1 Claim, 12 Drawing Sheets



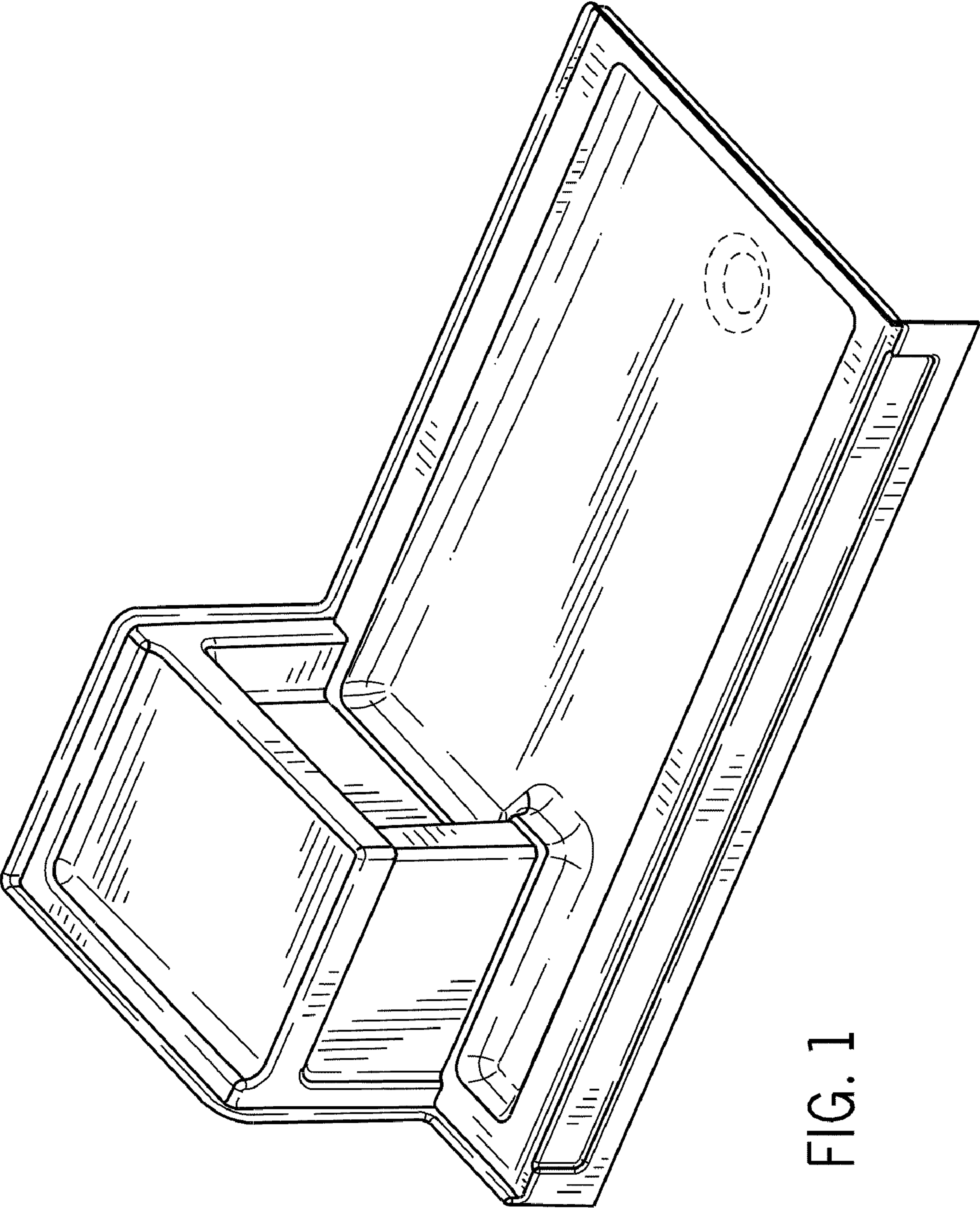


FIG. 1

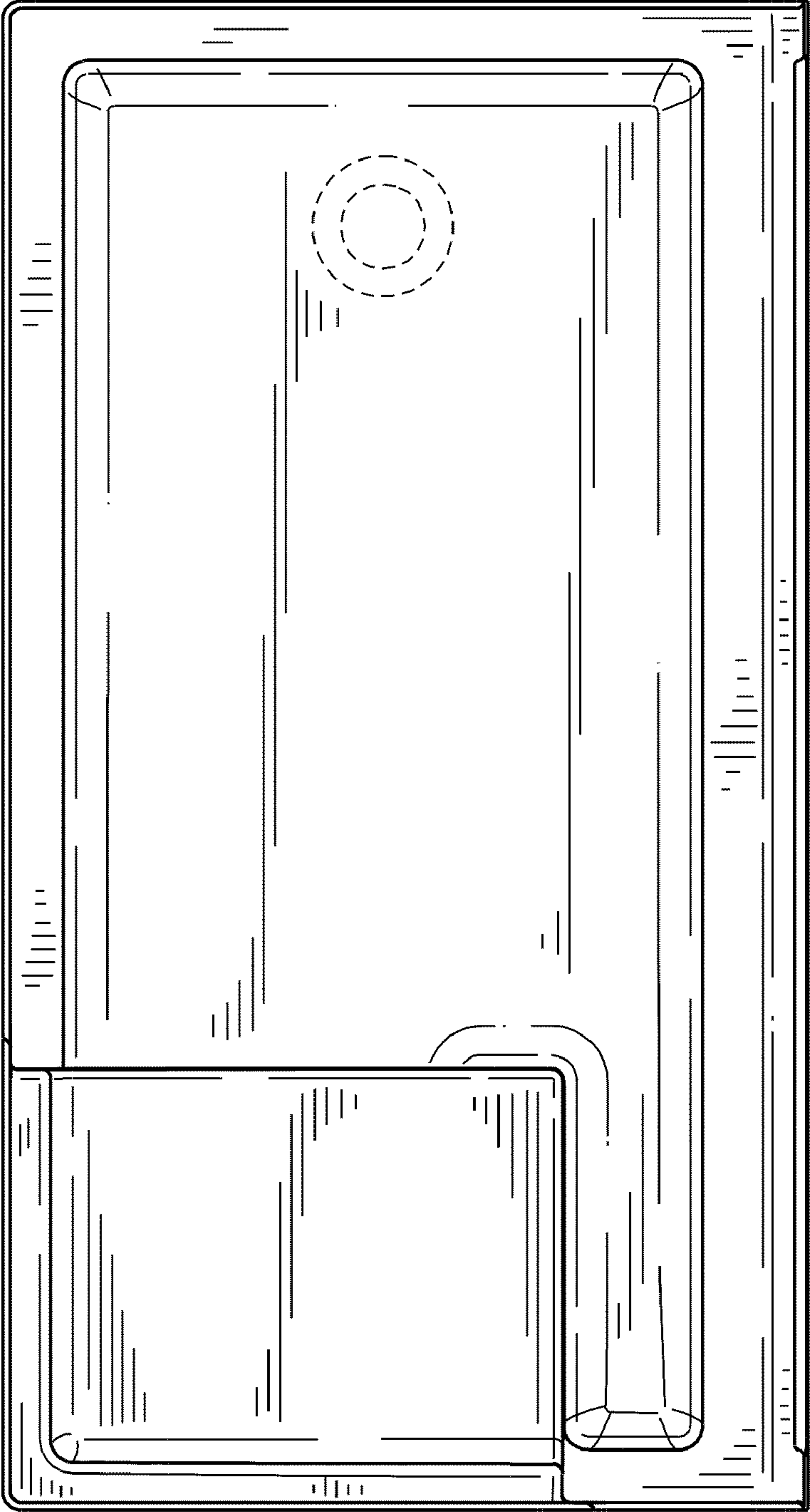


FIG. 2

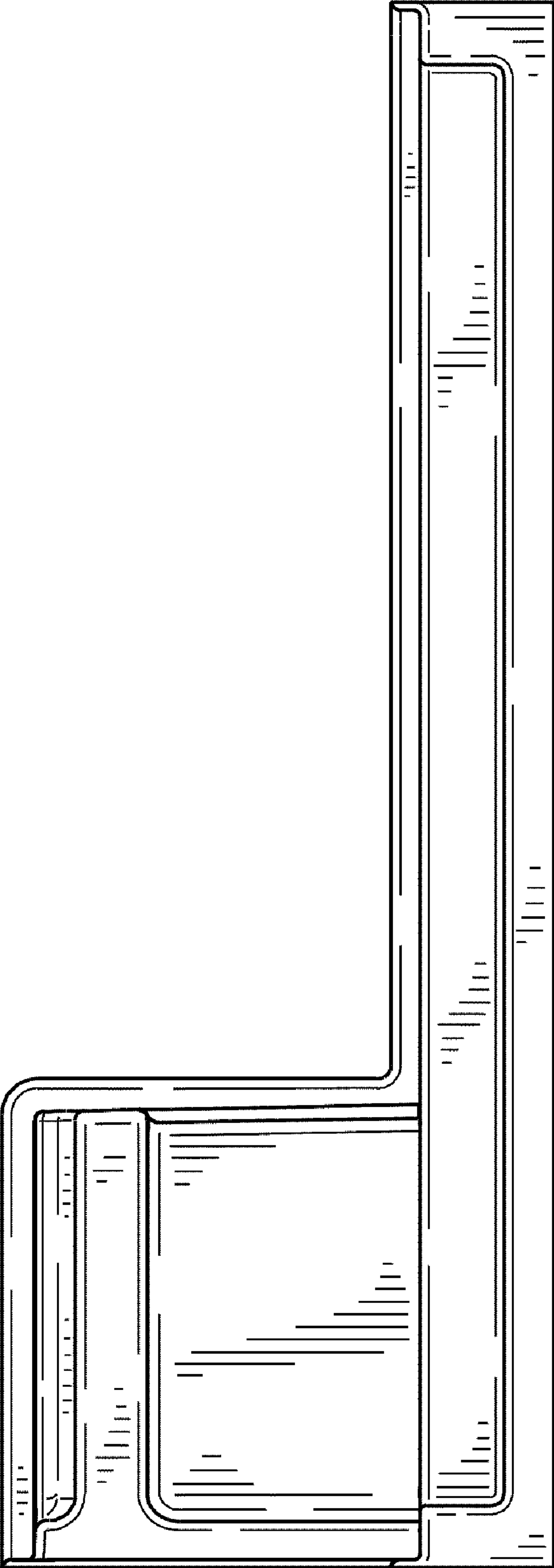


FIG. 3

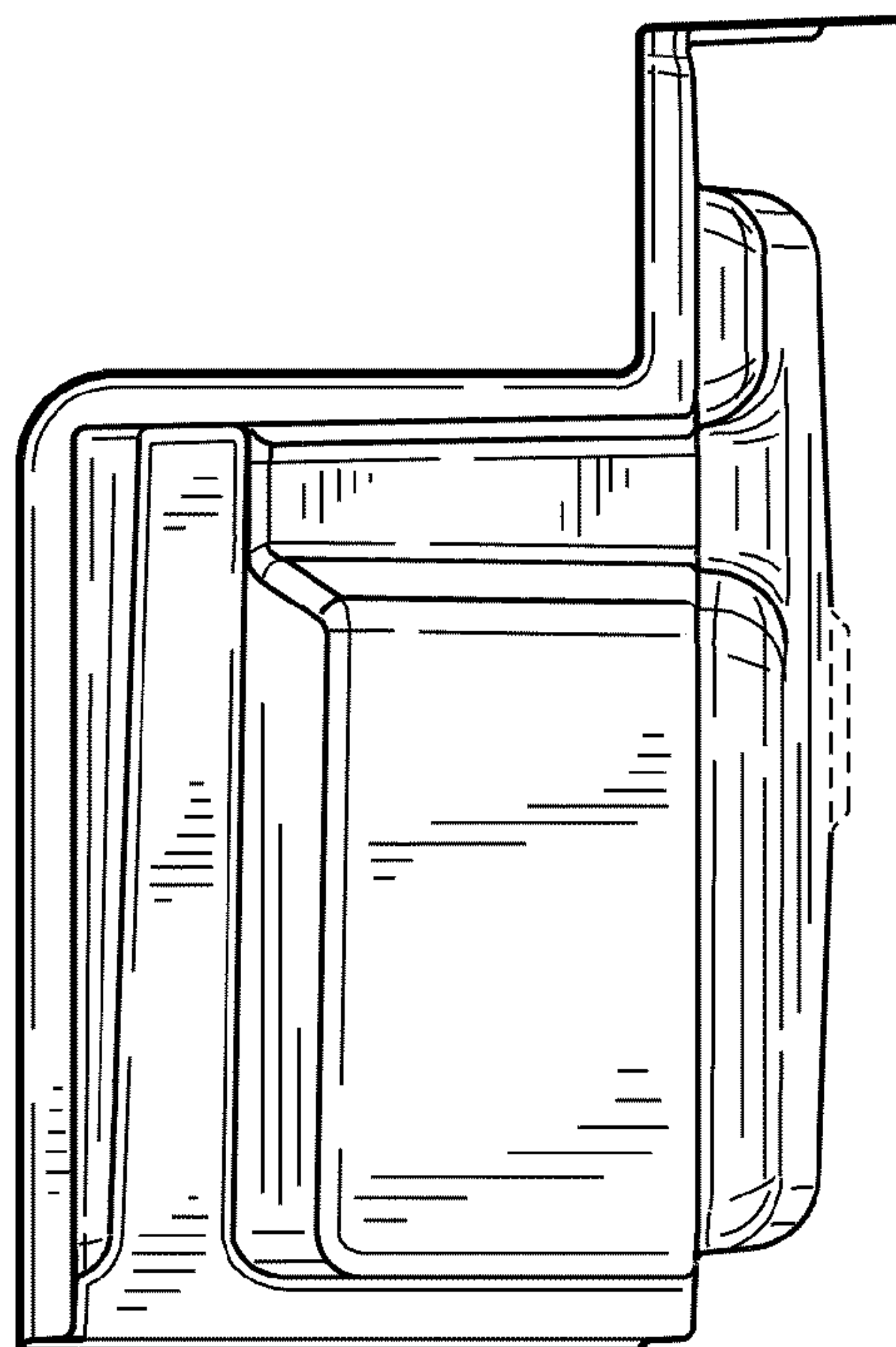


FIG. 5

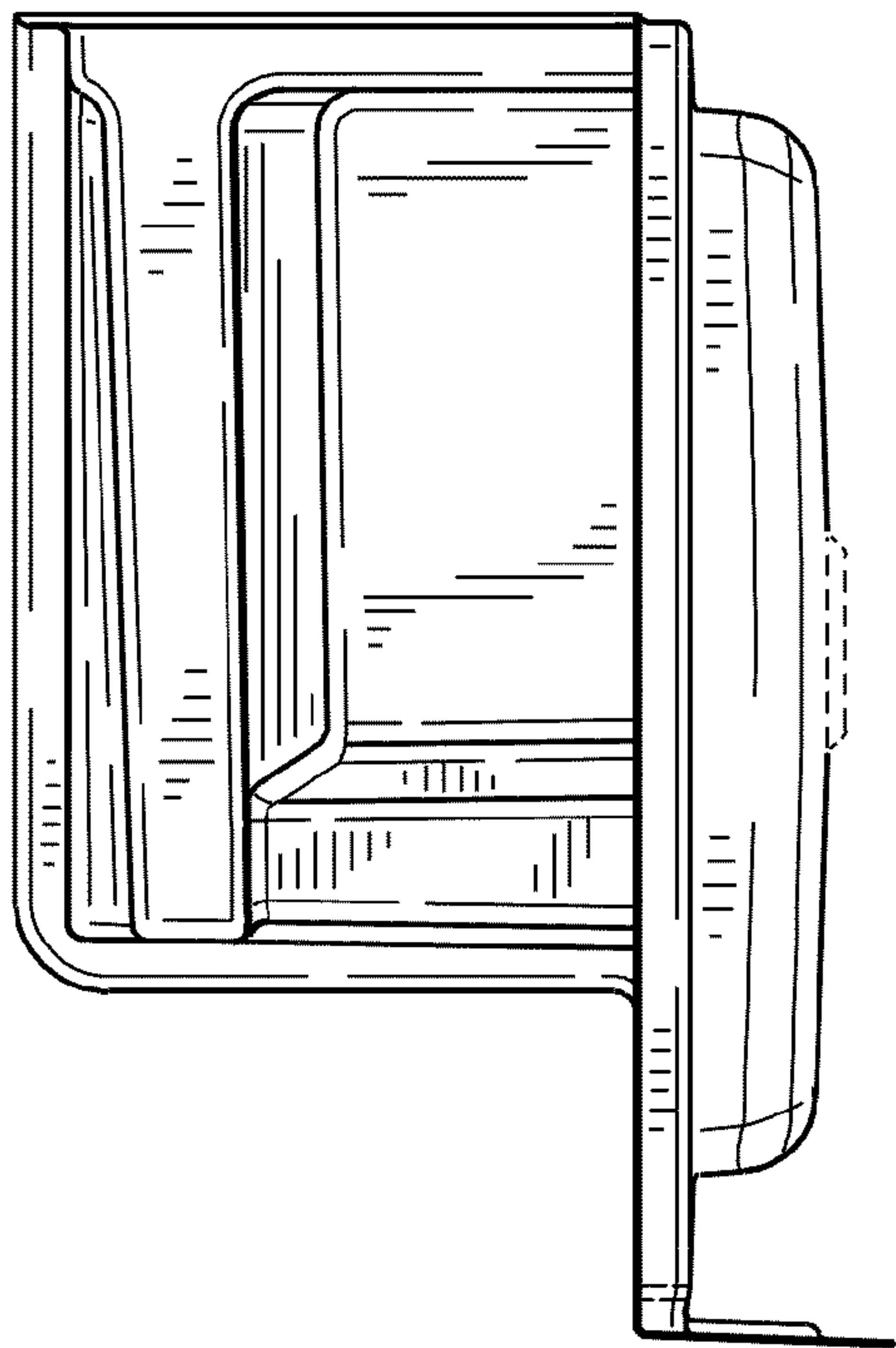


FIG. 4

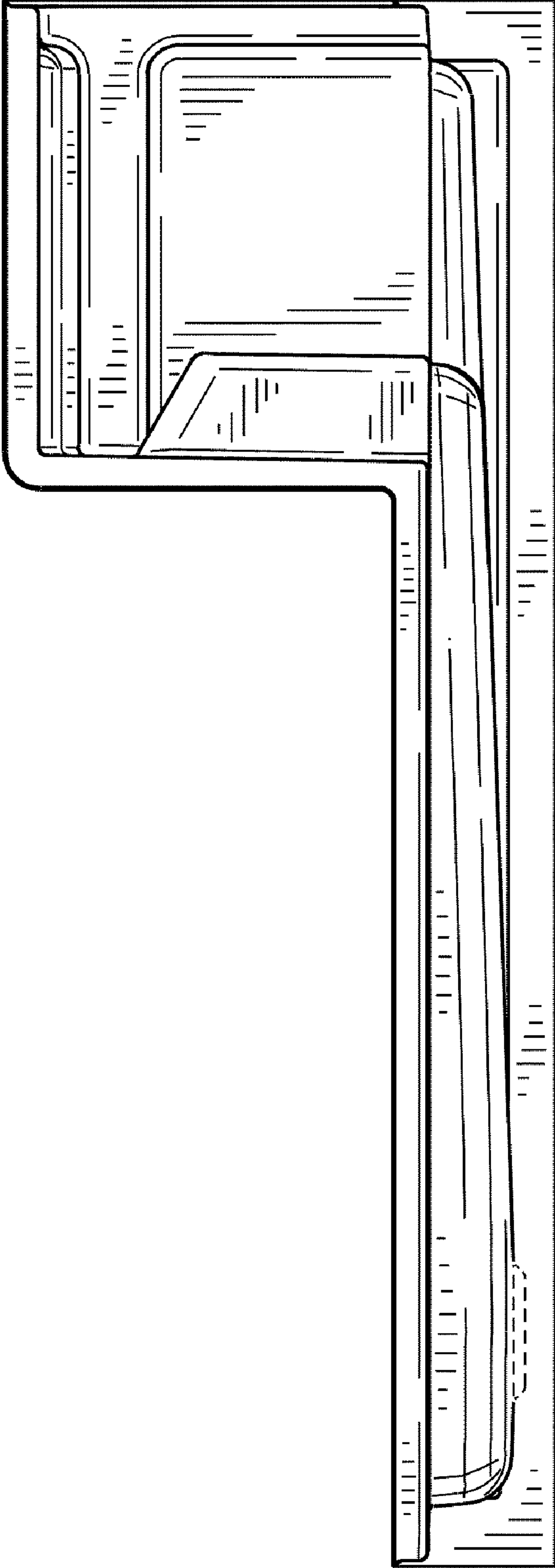


FIG. 6

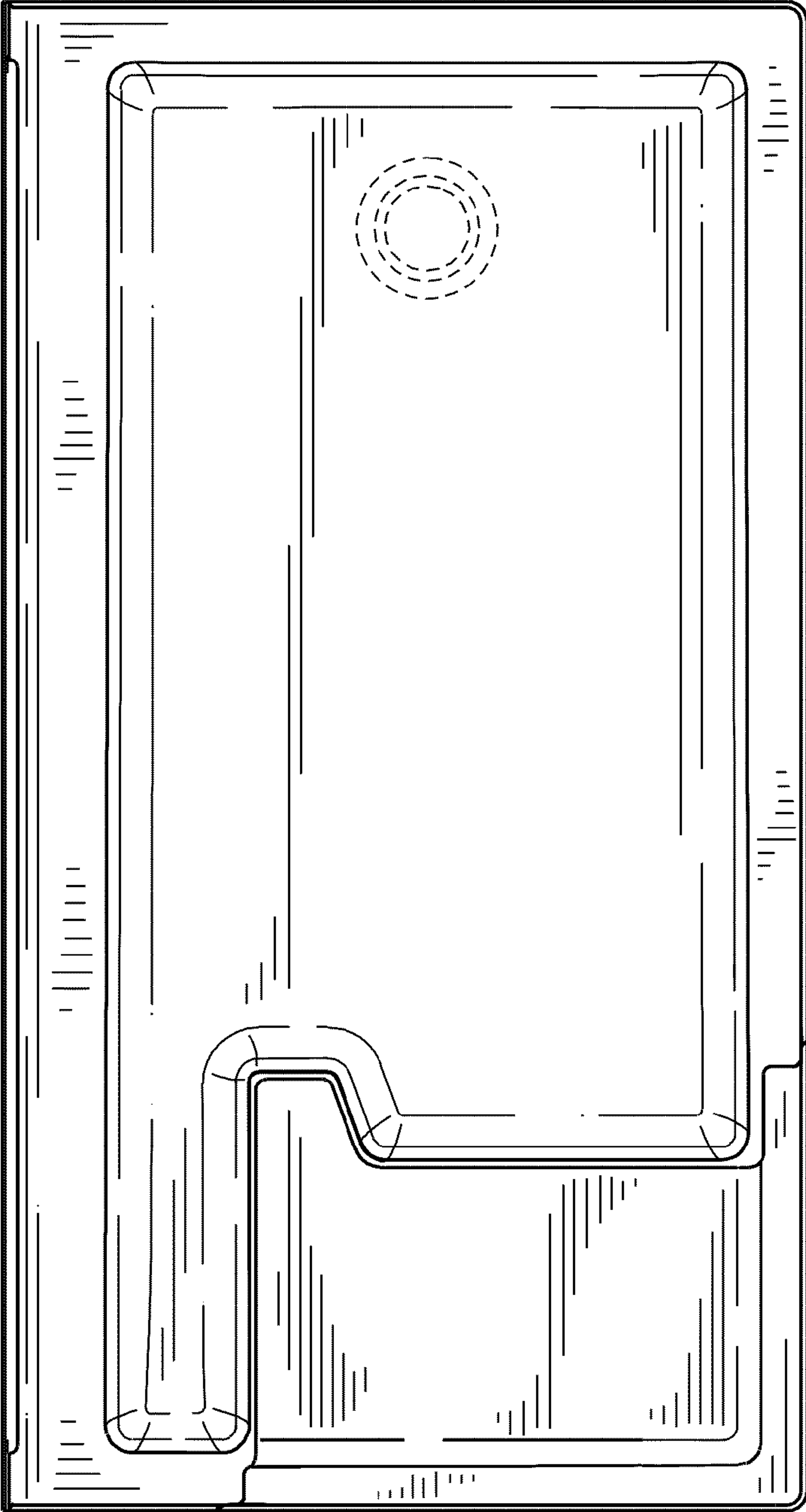


FIG. 7

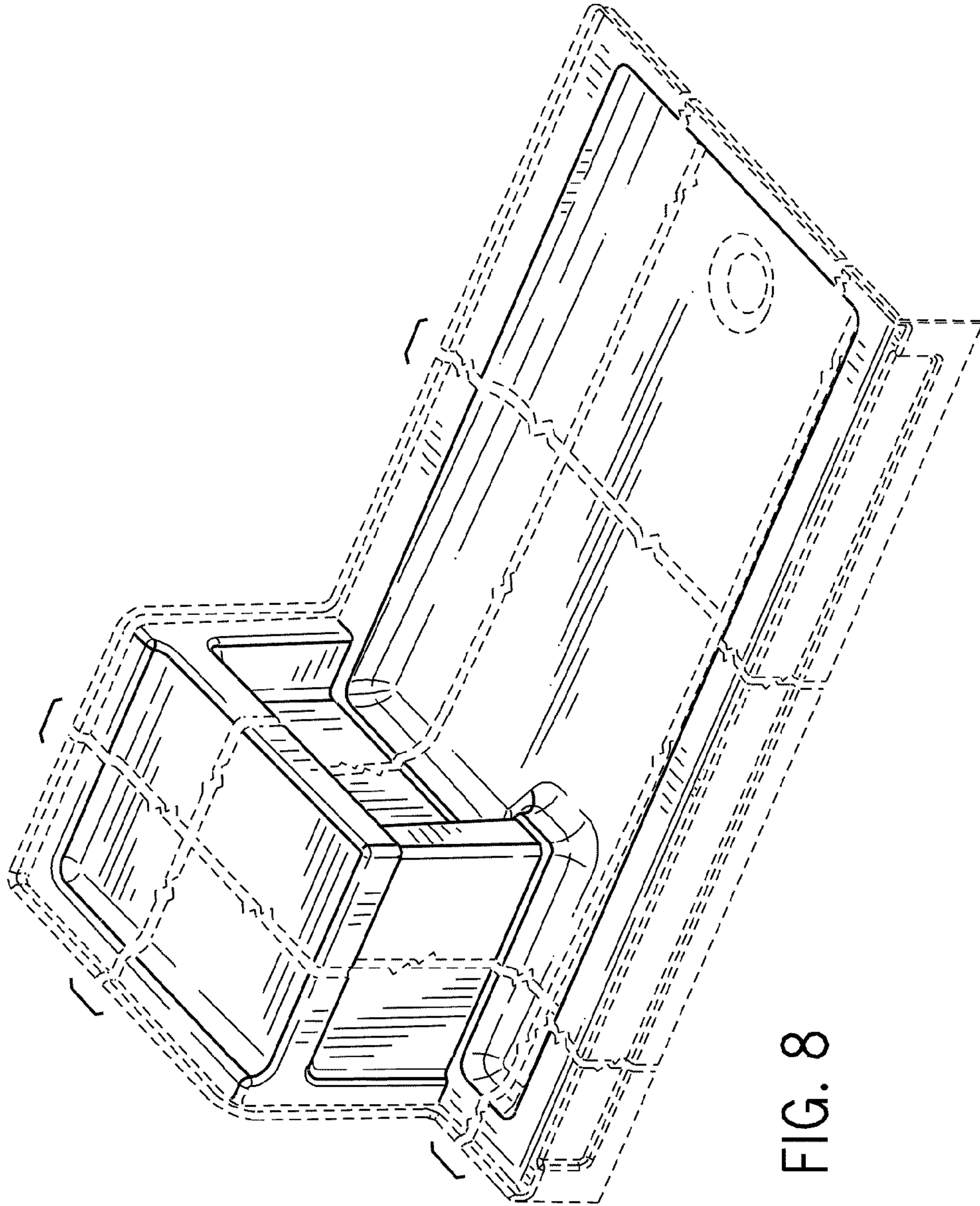


FIG. 8

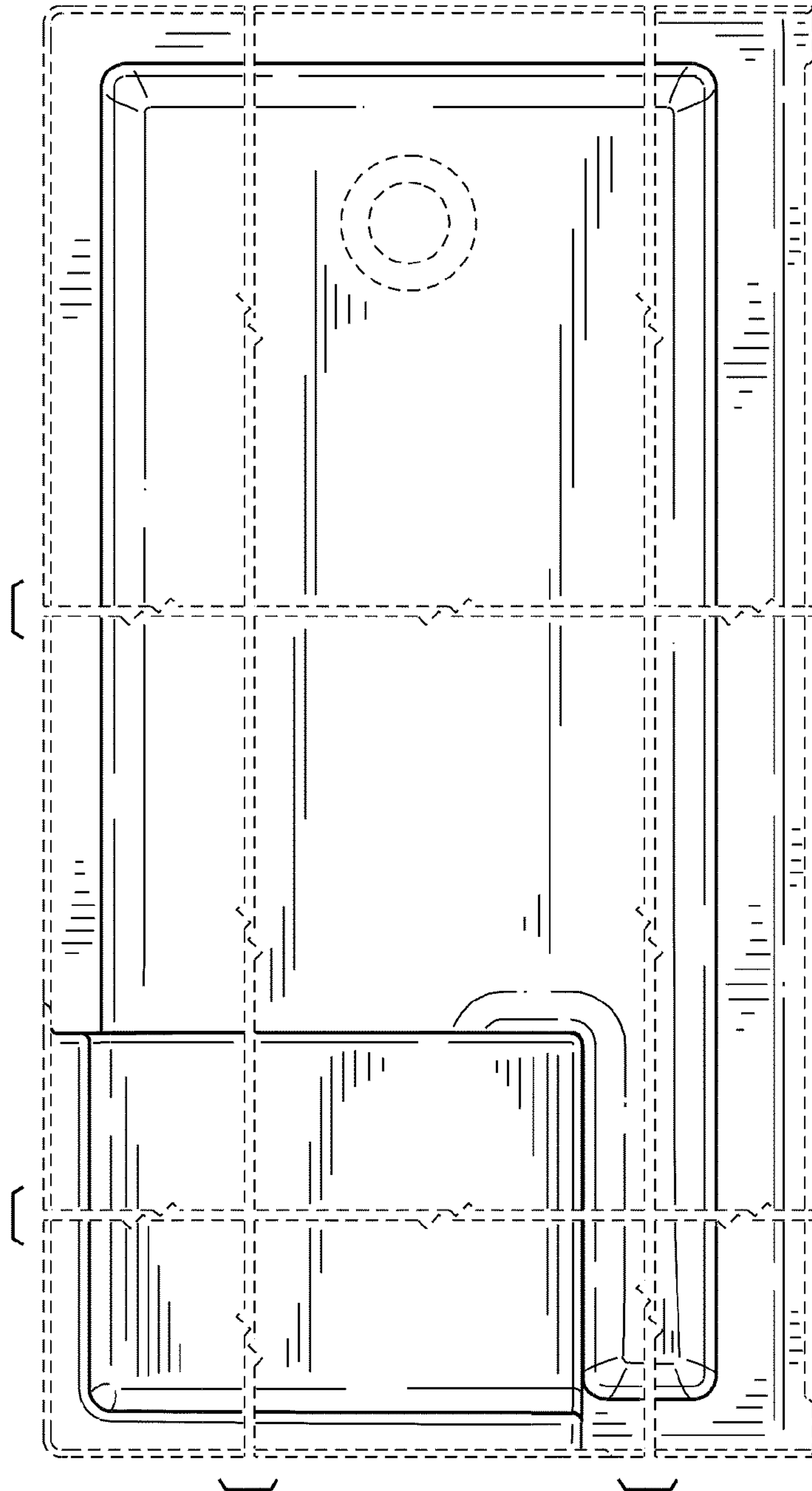


FIG. 9

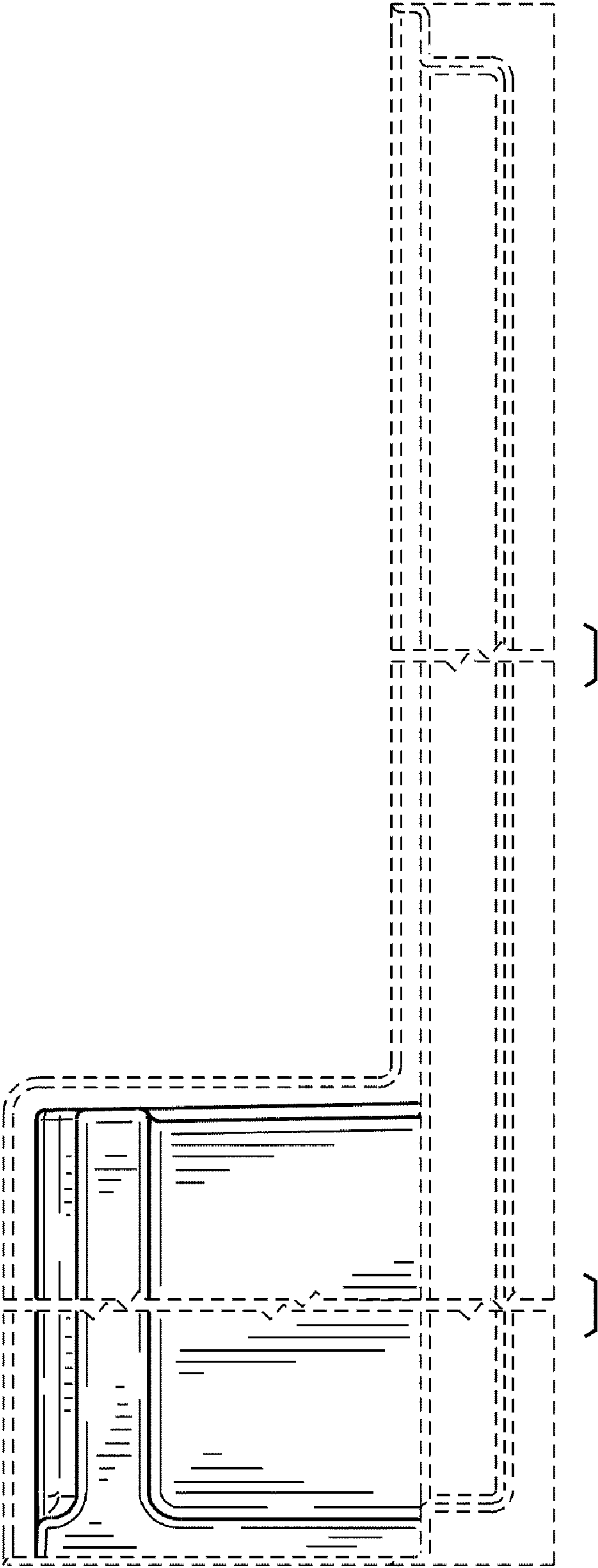


FIG. 10

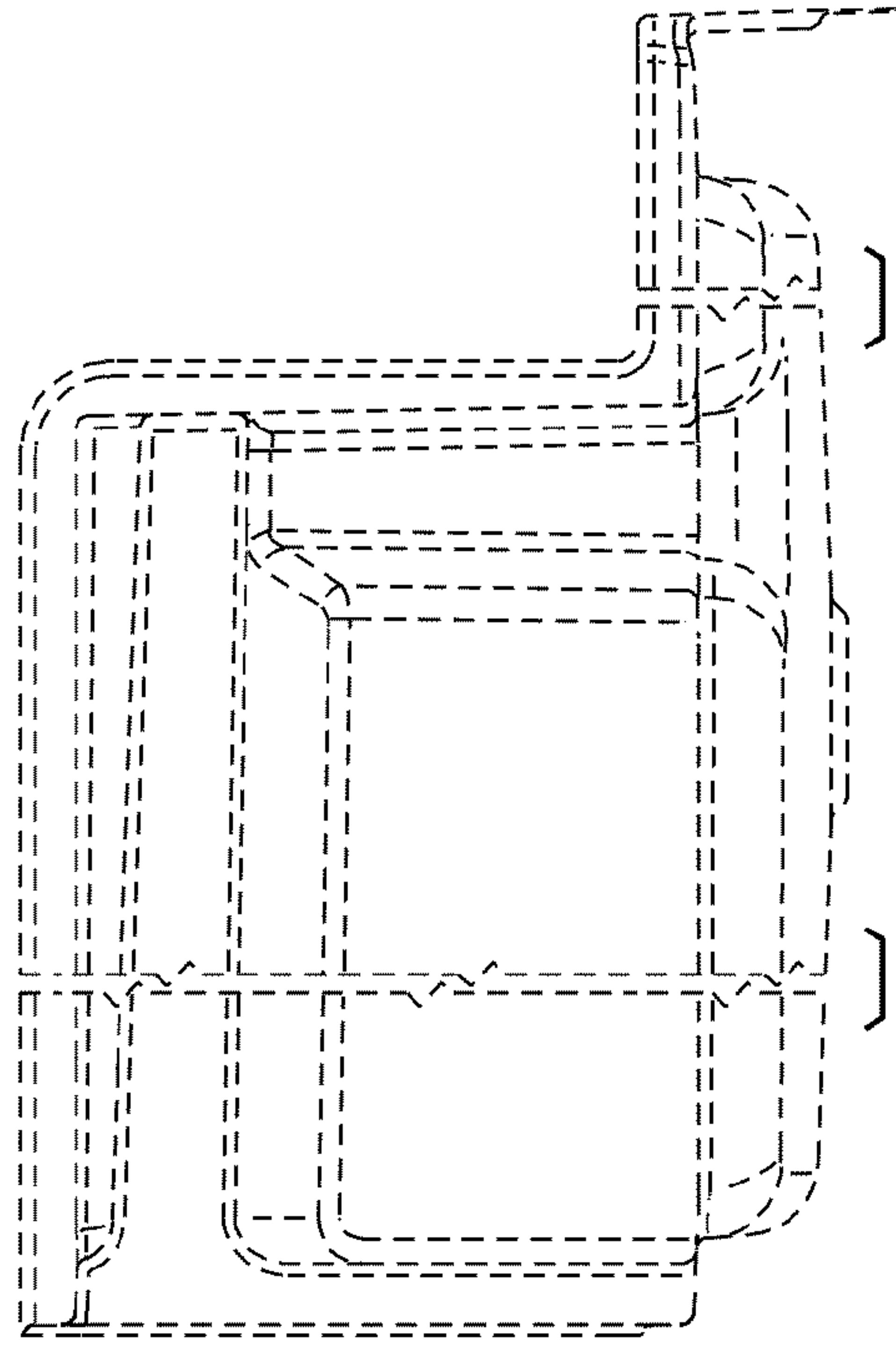


FIG. 12

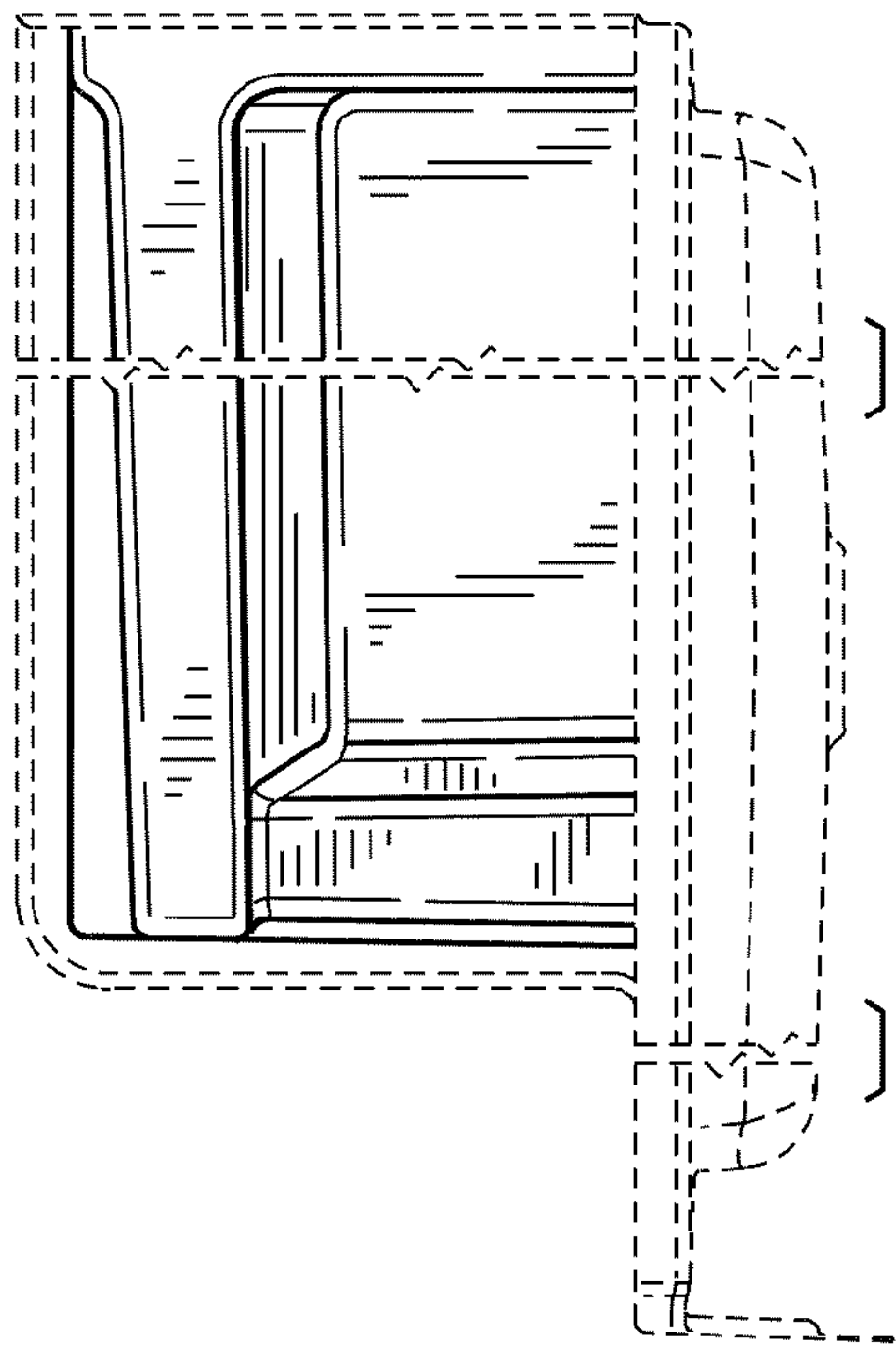


FIG. 11

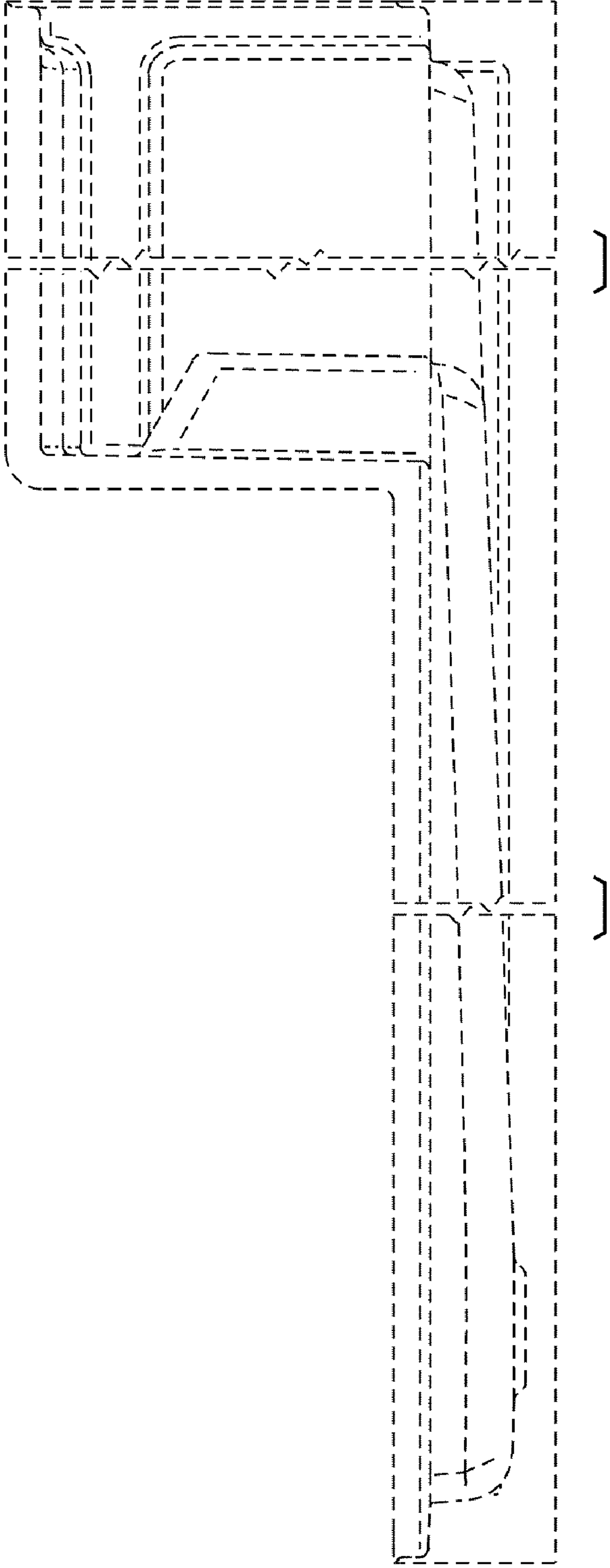


FIG. 13

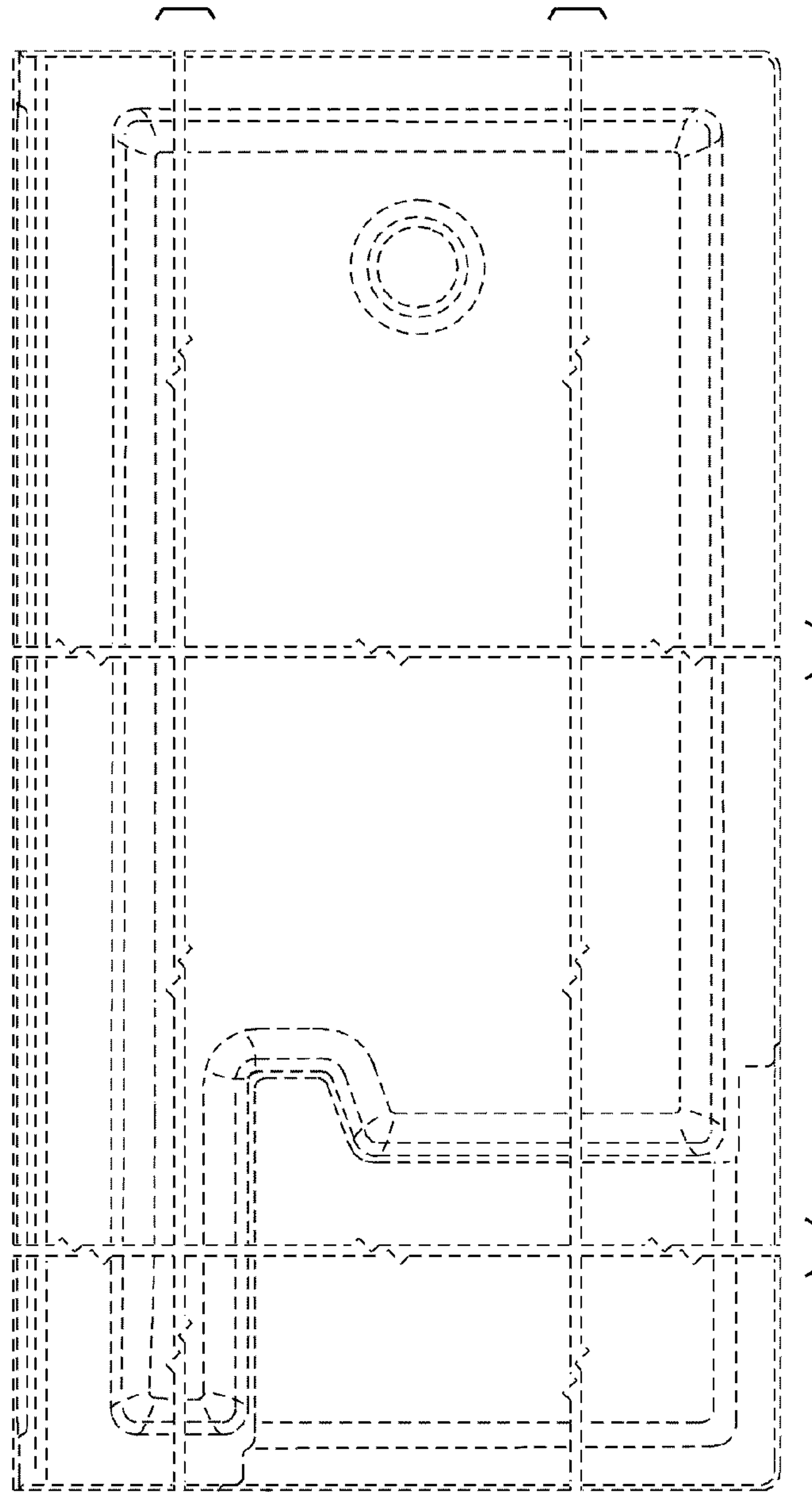


FIG. 14