



US00D648838S

(12) **United States Design Patent**
Booth

(10) **Patent No.:** **US D648,838 S**

(45) **Date of Patent:** **** Nov. 15, 2011**

(54) **SINK**

(74) *Attorney, Agent, or Firm* — **Foley & Lardner LLP**

(75) **Inventor:** **Shawn J. Booth**, Sheboygan, WI (US)

(57) **CLAIM**

I claim the ornamental design for a sink, as shown and described.

(73) **Assignee:** **Kohler Co.**, Kohler, WI (US)

(**) **Term:** **14 Years**

DESCRIPTION

(21) **Appl. No.:** **29/386,877**

FIG. 1 is a top perspective view of an embodiment of the claimed design;

(22) **Filed:** **Mar. 4, 2011**

FIG. 2 is a top plan view of the claimed design of FIG. 1;

(51) **LOC (9) Cl.** **23-02**

FIG. 3 is a bottom plan view of the claimed design of FIG. 1;

(52) **U.S. Cl.** **D23/290**

FIG. 4 is a front elevation view of the claimed design of FIG. 1;

(58) **Field of Classification Search** D23/272–274,
D23/284, 286–287, 290, 293.1, 303, 308;
4/619, 639, 642

FIG. 5 is a right-side elevation view of the claimed design of FIG. 1;

See application file for complete search history.

FIG. 6 is a rear elevation view of the claimed design of FIG. 1;

(56) **References Cited**

FIG. 7 is a cross-sectional view of FIG. 2;

U.S. PATENT DOCUMENTS

FIG. 8 is another cross-sectional view of FIG. 2; and,

D498,291 S * 11/2004 Bayer D23/290

FIG. 9 is another cross-sectional view of FIG. 2.

D527,808 S * 9/2006 Wozniczka et al. D23/290

D546,926 S * 7/2007 Schneider et al. D23/290

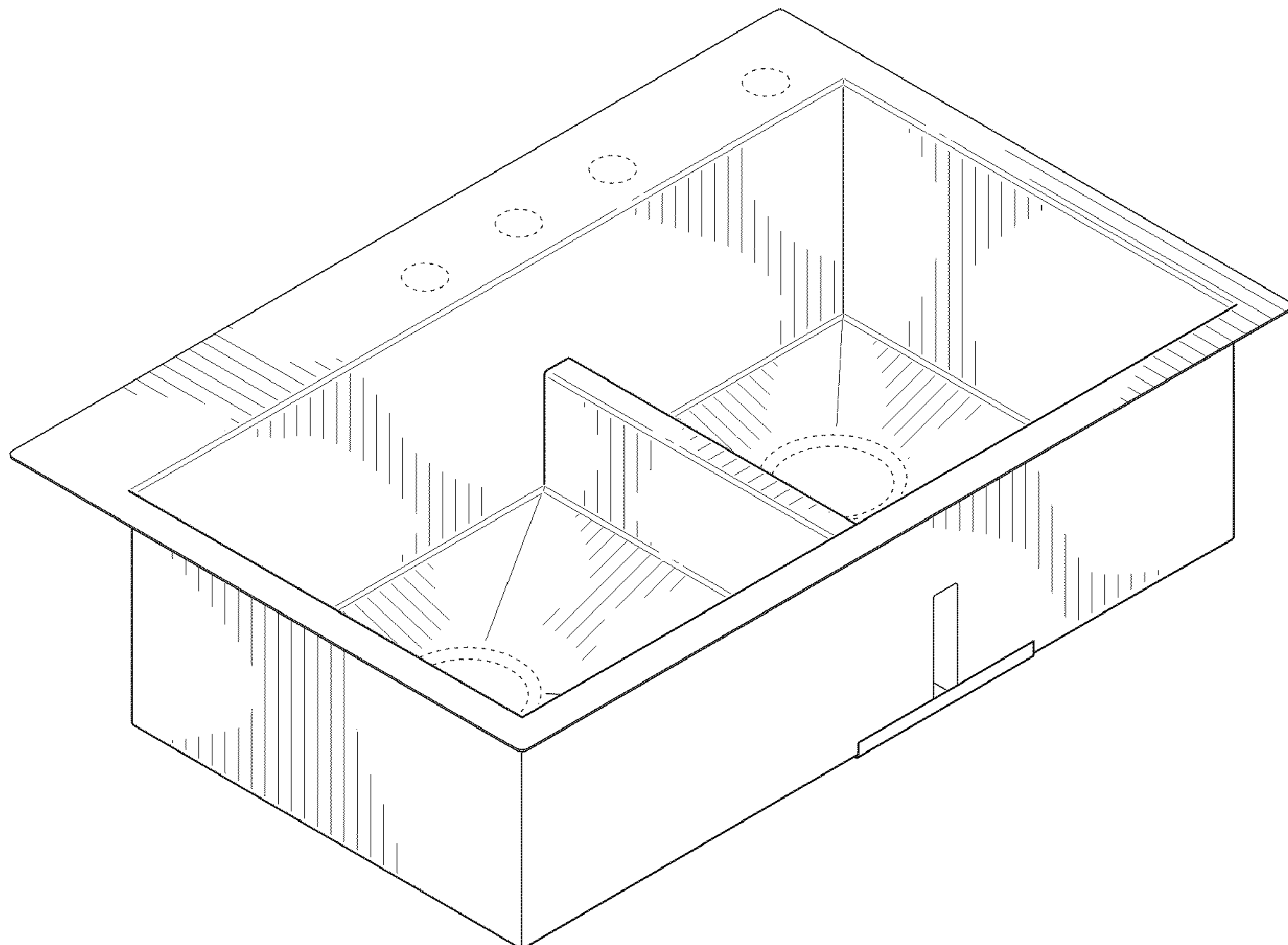
D593,648 S * 6/2009 Ziemann D23/284

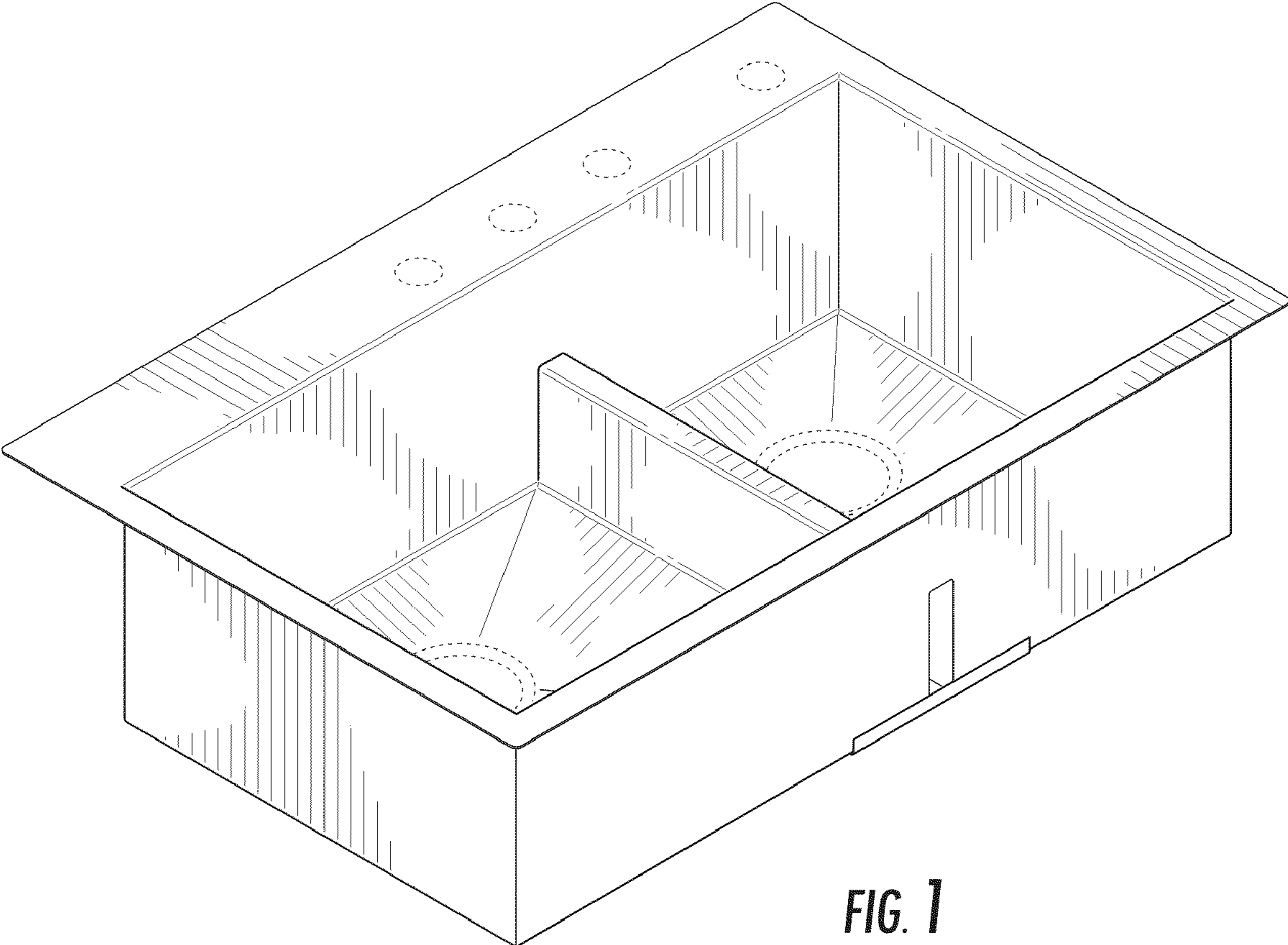
The ornamental design which is claimed is shown in solid lines in the drawings. The broken lines in the drawings are for illustrative purposes only and form no part of the claimed design.

* cited by examiner

Primary Examiner — Robert Delehanty

1 Claim, 5 Drawing Sheets





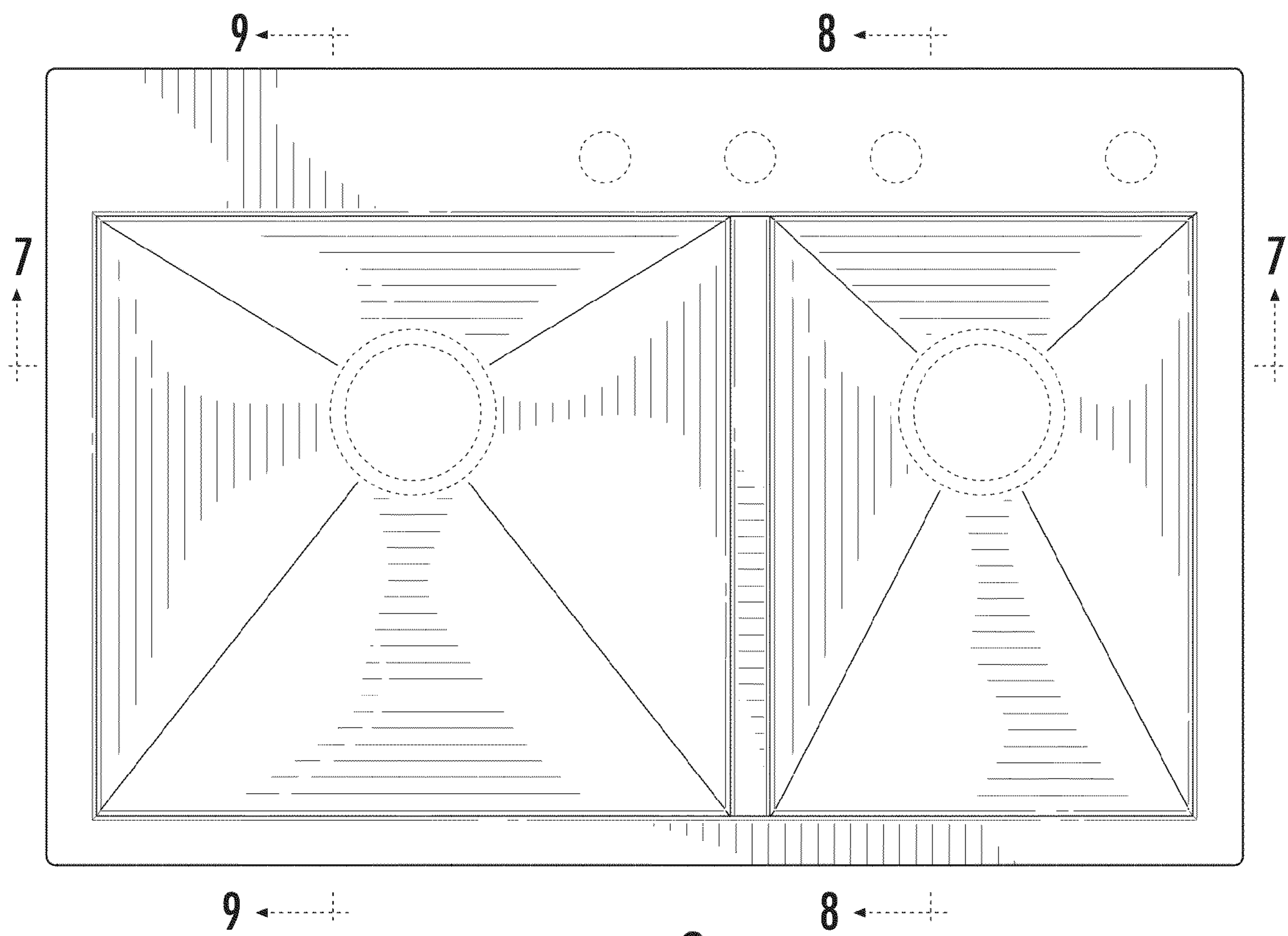


FIG. 2

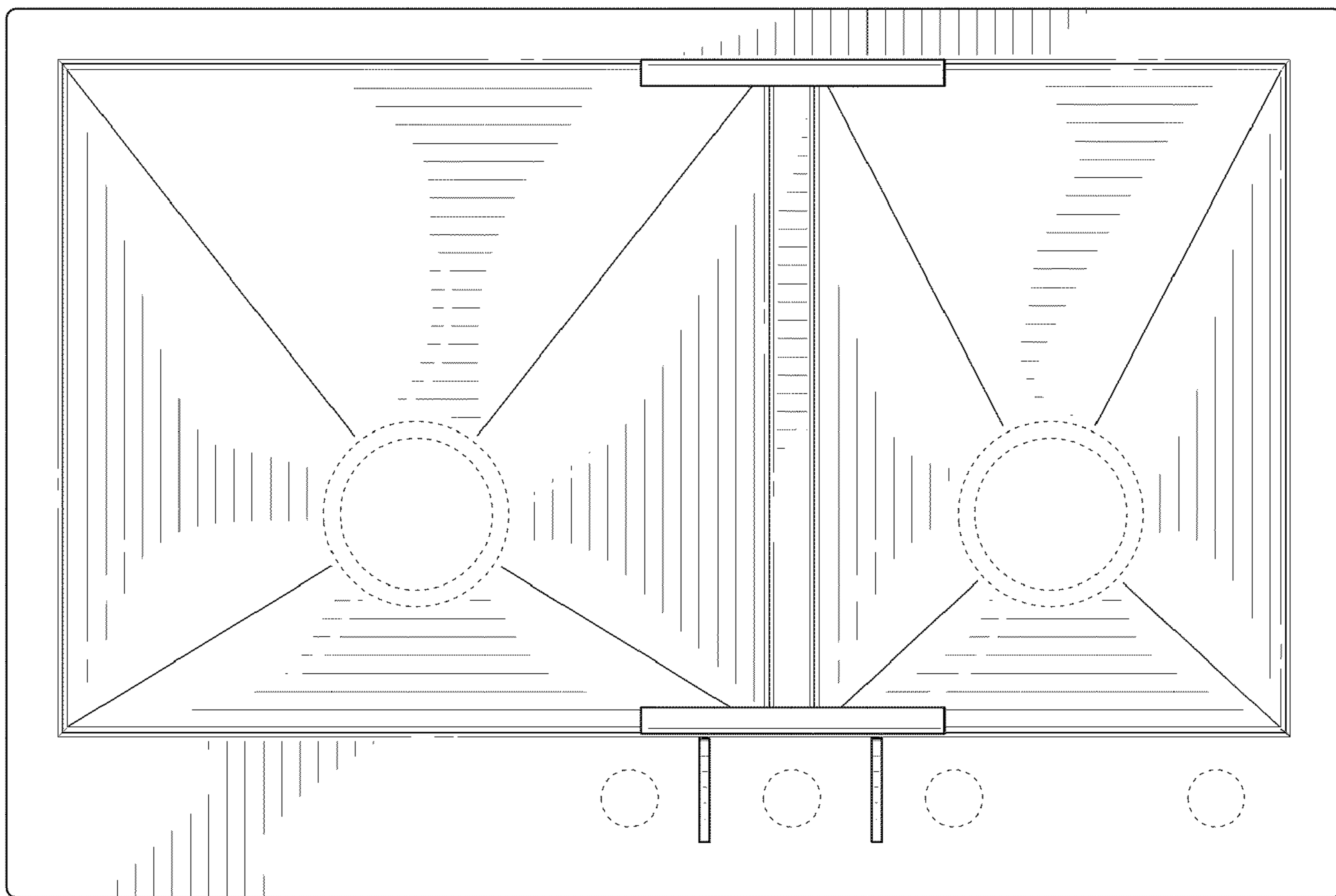


FIG. 3

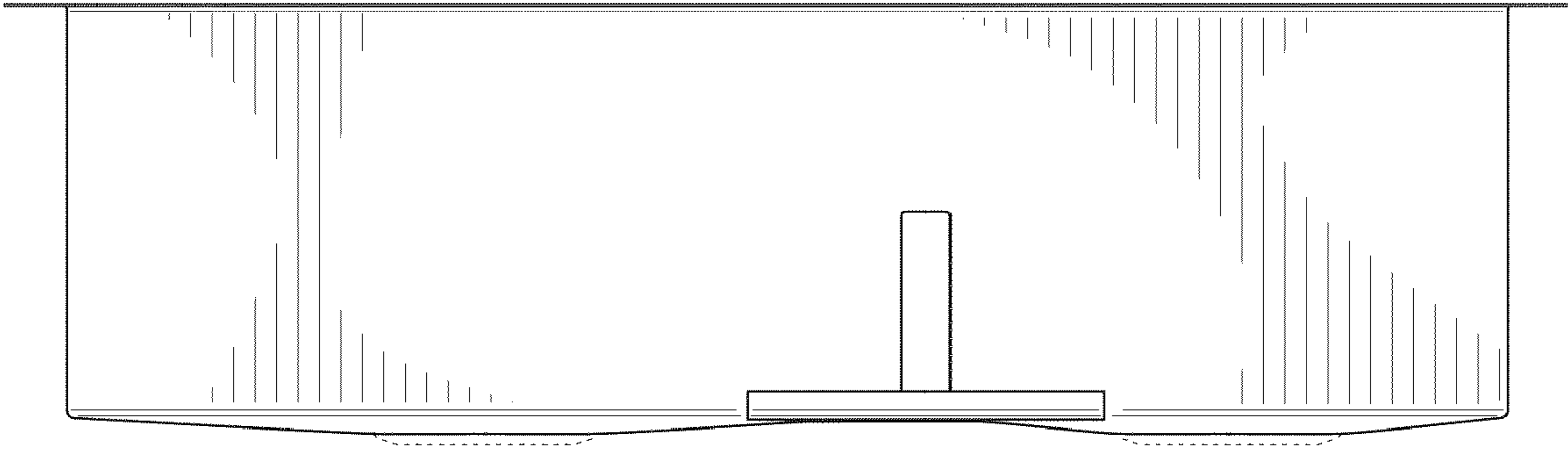


FIG. 4

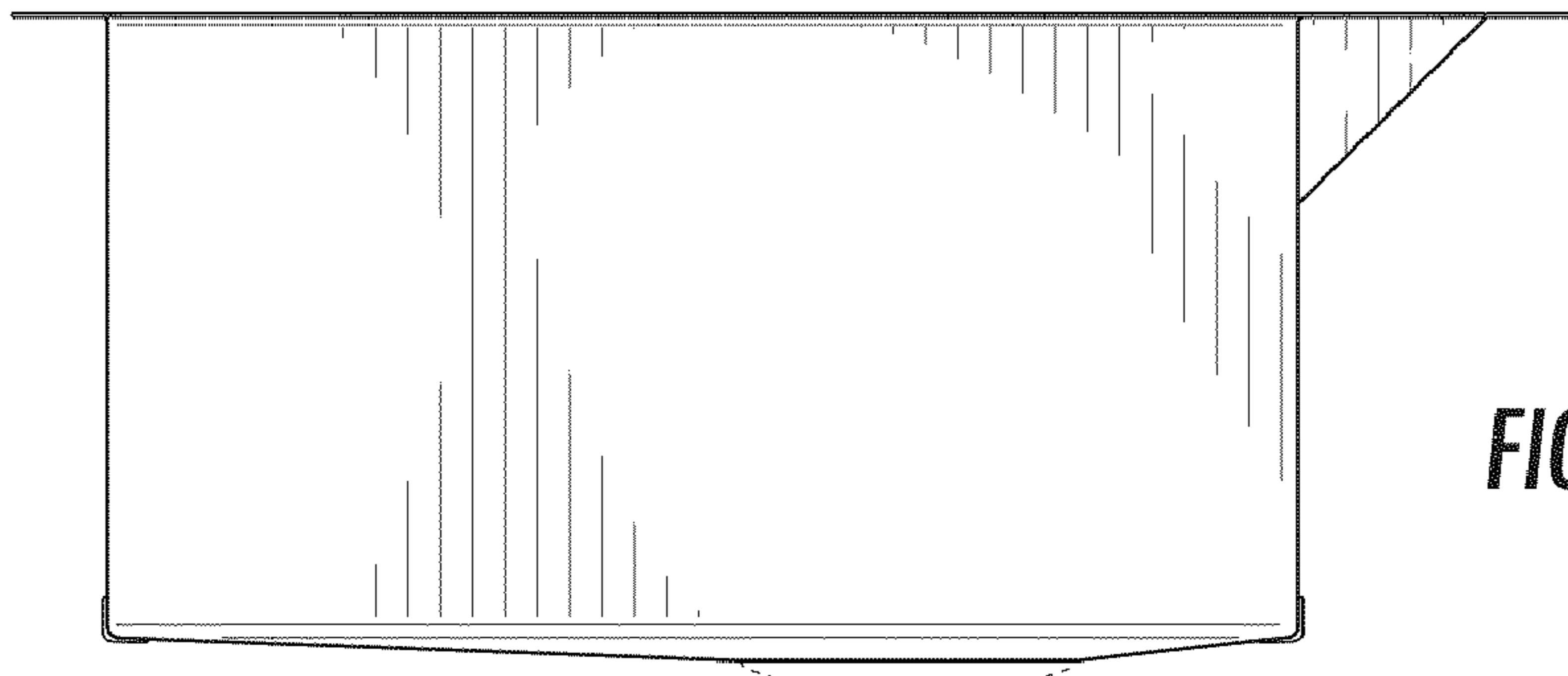


FIG. 5

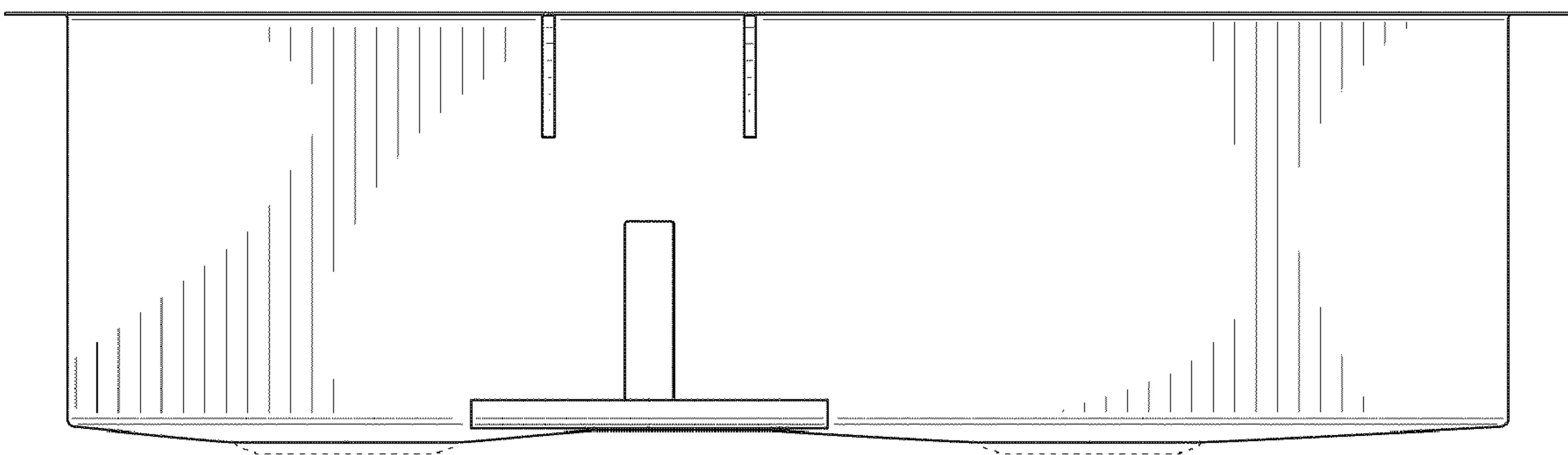


FIG. 6

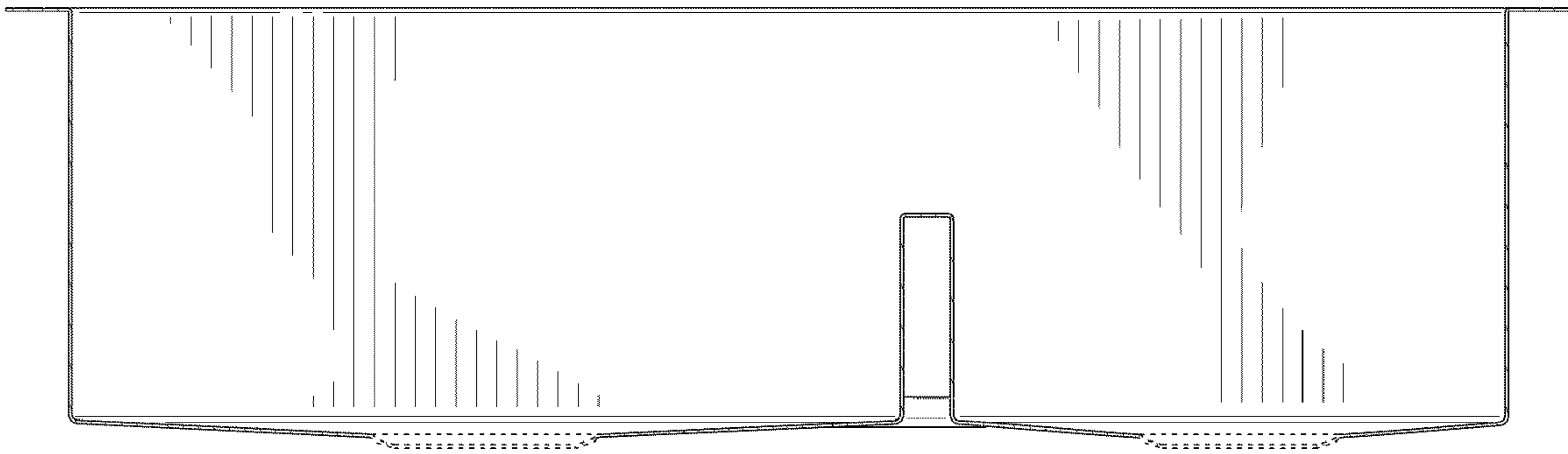


FIG. 7

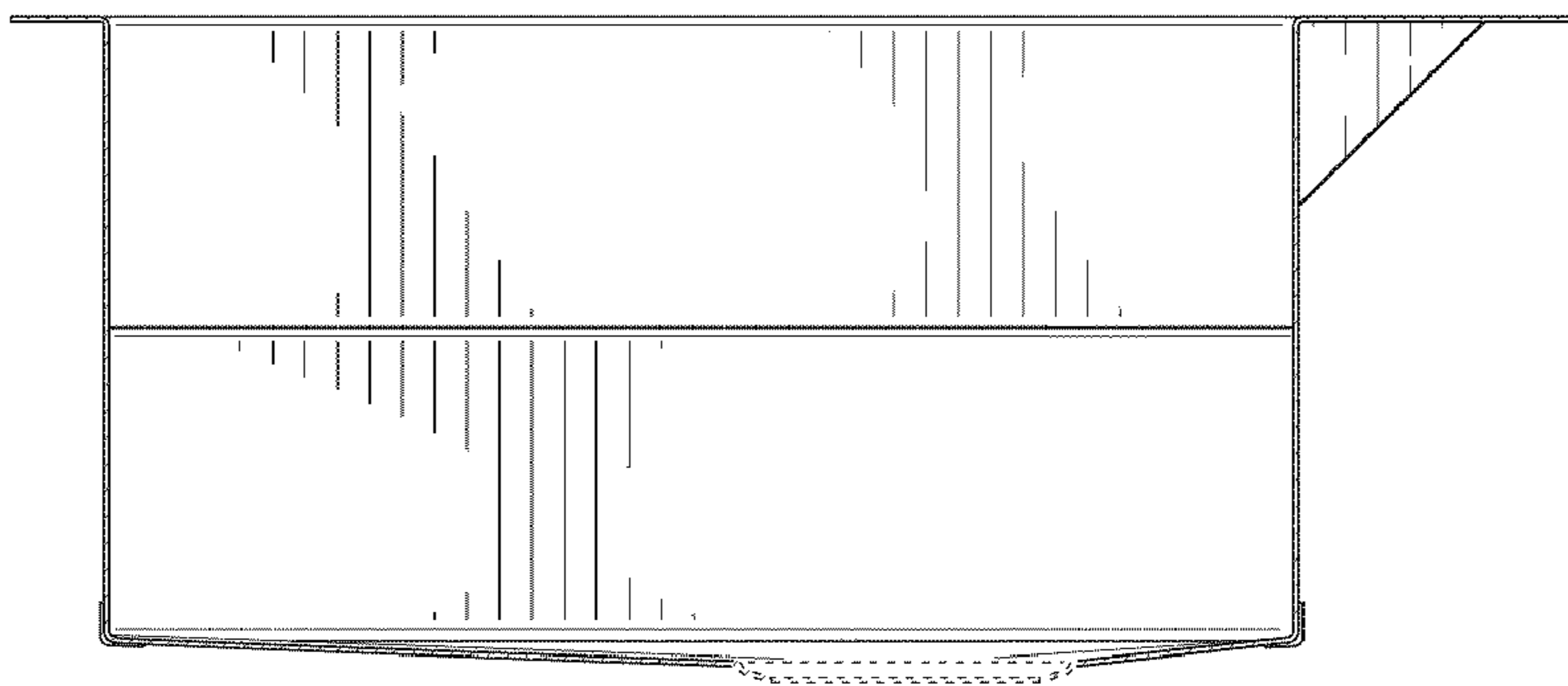


FIG. 8

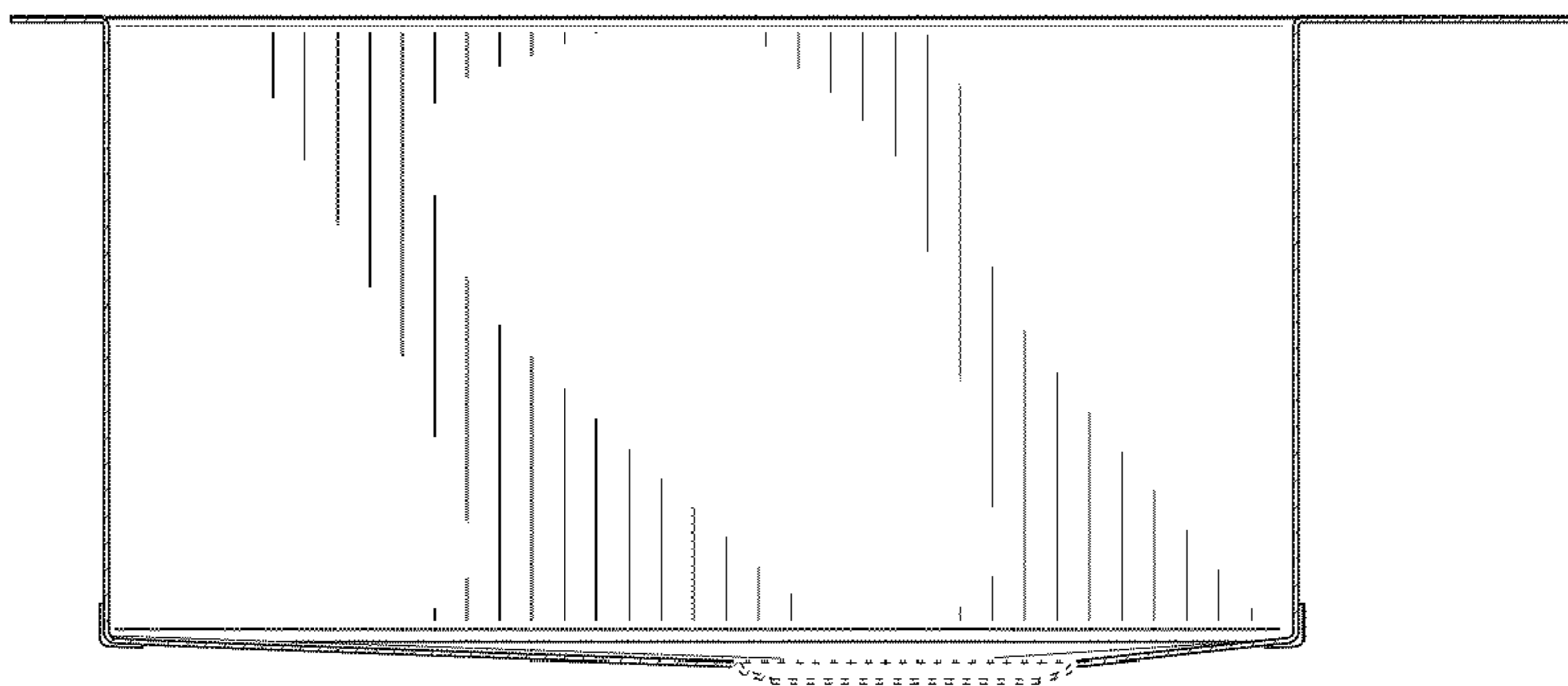


FIG. 9