



US00D648836S

(12) **United States Design Patent**
Drenth

(10) **Patent No.:** **US D648,836 S**

(45) **Date of Patent:** **** *Nov. 15, 2011**

(54) **SEAL FOR HEAD ASSEMBLY**

(75) **Inventor:** **Christopher L. Drenth**, Draper, UT
(US)

(73) **Assignee:** **Longyear TM, Inc.**, South Jordan, UT
(US)

(**) **Term:** **14 Years**

(21) **Appl. No.:** **29/378,943**

(22) **Filed:** **Nov. 11, 2010**

(51) **LOC (9) Cl.** **23-01**

(52) **U.S. Cl.** **D23/269**

(58) **Field of Classification Search** D23/259–269;
D15/21, 28; 175/403, 58, 236, 246, 317,
175/44, 255, 234, 230, 19, 249, 285, 258,
175/72, 251, 247; 166/214, 237, 285, 177.4,
166/98; 173/137

See application file for complete search history.

(56) **References Cited**

U.S. PATENT DOCUMENTS

D83,420	S *	2/1931	Baird	D23/262
2,251,679	A	8/1941	Kinnear		
2,638,362	A *	5/1953	Sherman et al.	285/5
D188,087	S *	5/1960	Rowell	D23/260
D194,015	S *	11/1962	Stringham	D23/262
D227,888	S *	7/1973	Webster	D23/262
3,845,815	A *	11/1974	Garwood	166/154
D234,847	S *	4/1975	Hoffman	D23/262
3,989,106	A	11/1976	Taylor		
4,805,696	A *	2/1989	Henderson	166/114
4,834,198	A	5/1989	Thompson		
D334,046	S *	3/1993	Klose	D23/213
5,224,715	A	7/1993	Downes et al.		
5,267,620	A	12/1993	Lee		
D372,516	S *	8/1996	Nimmo	D23/213
D372,765	S *	8/1996	Sisk	D23/269
D372,960	S *	8/1996	Allmon et al.	D23/260
D383,053	S *	9/1997	Schrader et al.	D8/382

D383,378	S *	9/1997	Schrader et al.	D8/382
5,934,393	A	8/1999	Marshall		
D446,298	S *	8/2001	Thurman	D23/393
6,425,449	B1	7/2002	Marshall		
D461,545	S *	8/2002	Nishio	D23/266

(Continued)

FOREIGN PATENT DOCUMENTS

CA 2138201 C 1/1997

OTHER PUBLICATIONS

Bal Seal Engineering Company, Inc., Bal Seal Catalog, 1995, (8 pages).

(Continued)

Primary Examiner — T. Chase Nelson

Assistant Examiner — Eric Goodman

(74) *Attorney, Agent, or Firm* — Workman Nydegger

(57) **CLAIM**

The ornamental design for a seal for head assembly, as shown and described.

DESCRIPTION

FIG. 1 is a perspective view of a seal for head assembly showing the new design;

FIG. 2 is a front elevational view of the seal for head assembly of FIG. 1, the top plan and bottom plan views being identical thereto and the rear elevational view being a mirror image thereof;

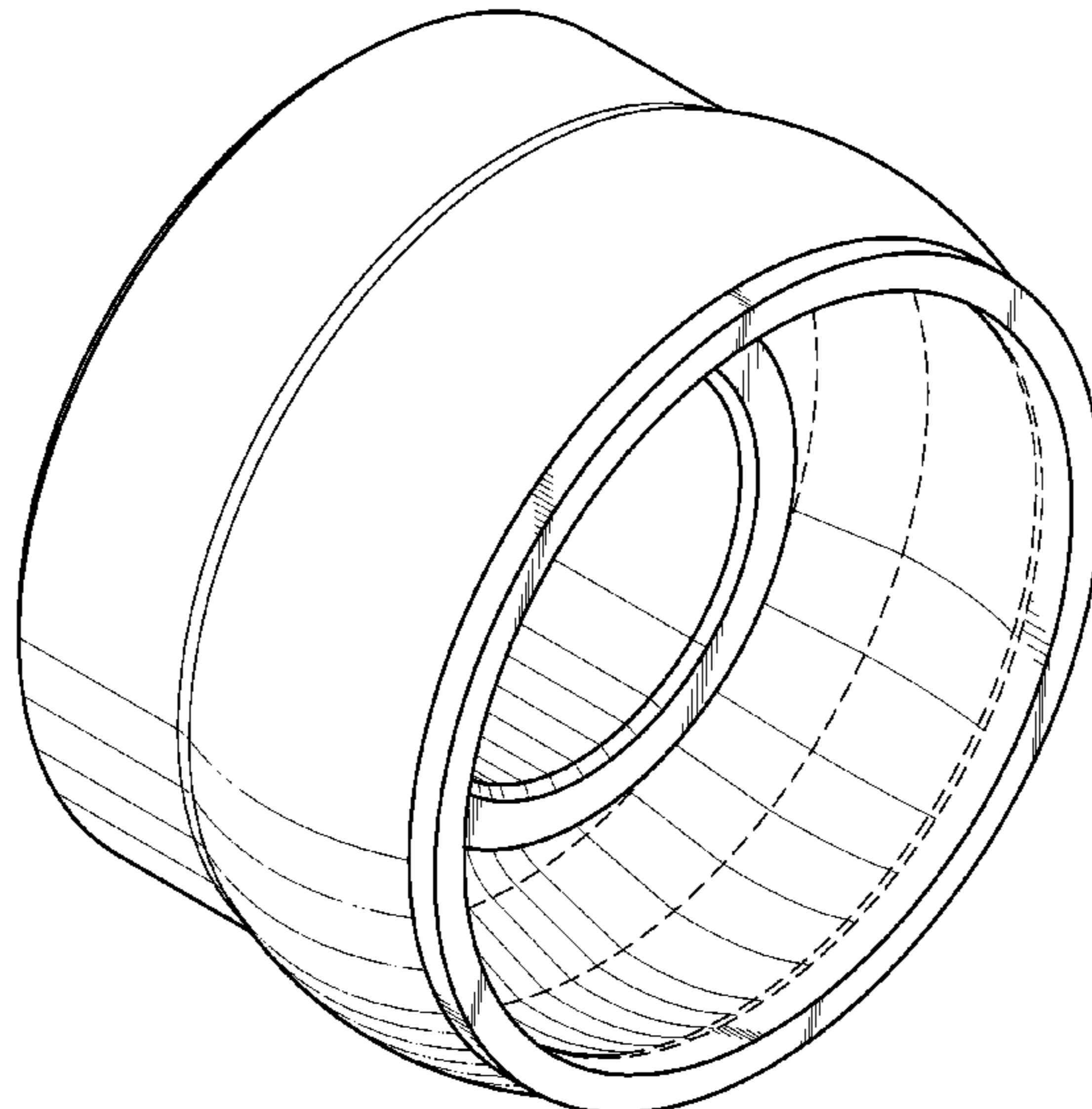
FIG. 3 is a left side elevational view of the seal for head assembly of FIG. 1;

FIG. 4 is a cross-sectional view of the seal for head assembly along line 5-5 as shown in FIG. 2; and,

FIG. 5 is a cross-sectional view of the seal for head assembly along line 5-5 as shown in FIG. 2.

The phantom, broken lines form no part of the claimed design.

1 Claim, 3 Drawing Sheets



U.S. PATENT DOCUMENTS

6,564,885	B2	5/2003	Attwater	
6,681,872	B2 *	1/2004	Radtke et al.	175/20
D518,559	S *	4/2006	Ostergaard et al.	D23/262
7,380,603	B2 *	6/2008	Jeffrey et al.	166/285
7,913,760	B2 *	3/2011	Robichaux et al.	166/291
D637,697	S *	5/2011	Steiner	D23/262
D638,918	S *	5/2011	Grether	D23/263
7,975,784	B2 *	7/2011	Purcell	175/414
2003/0121671	A1 *	7/2003	Bailey et al.	166/387
2004/0007359	A1 *	1/2004	Stevens et al.	166/285
2005/0199426	A1 *	9/2005	Smith et al.	175/57
2005/0241825	A1	11/2005	Burris, II et al.	
2006/0037784	A1 *	2/2006	Walter et al.	175/71
2008/0190616	A1 *	8/2008	Watson	166/298
2010/0096132	A1 *	4/2010	Mosing et al.	166/285
2010/0126718	A1 *	5/2010	Lilley	166/253.1
2010/0206580	A1 *	8/2010	Tessari et al.	166/377
2011/0030954	A1 *	2/2011	Allison et al.	166/285

OTHER PUBLICATIONS

Longyear Company, Longyear Heat-Treated CQ Wireline Drill Rods, 1991, (7 pages).
 Longyear Company, Underground Wireline Core Barrels, Jun. 1, 1989 (4 pages).
 Bal Seal Engineering Company, Inc., Rotary Seal Catalog, 2001 (7 pages).
 Notice of Allowance dated Apr. 27, 2011 from U.S. Appl. No. 29/381,037, filed Dec. 14, 2010 (12 pages).
 Office Action dated May 3, 2011 from U.S. Appl. No. 29/378,942, filed Nov. 11, 2010 (9 pages).
 Notice of Allowance dated Aug. 10, 2011 from U.S. Appl. No. 29/381,037, filed Dec. 14, 2010 (6 pages).
 Notice of Allowance dated Sep. 1, 2011 from U.S. Appl. No. 29/378,942, filed Nov. 11, 2010 (5 pages).

* cited by examiner

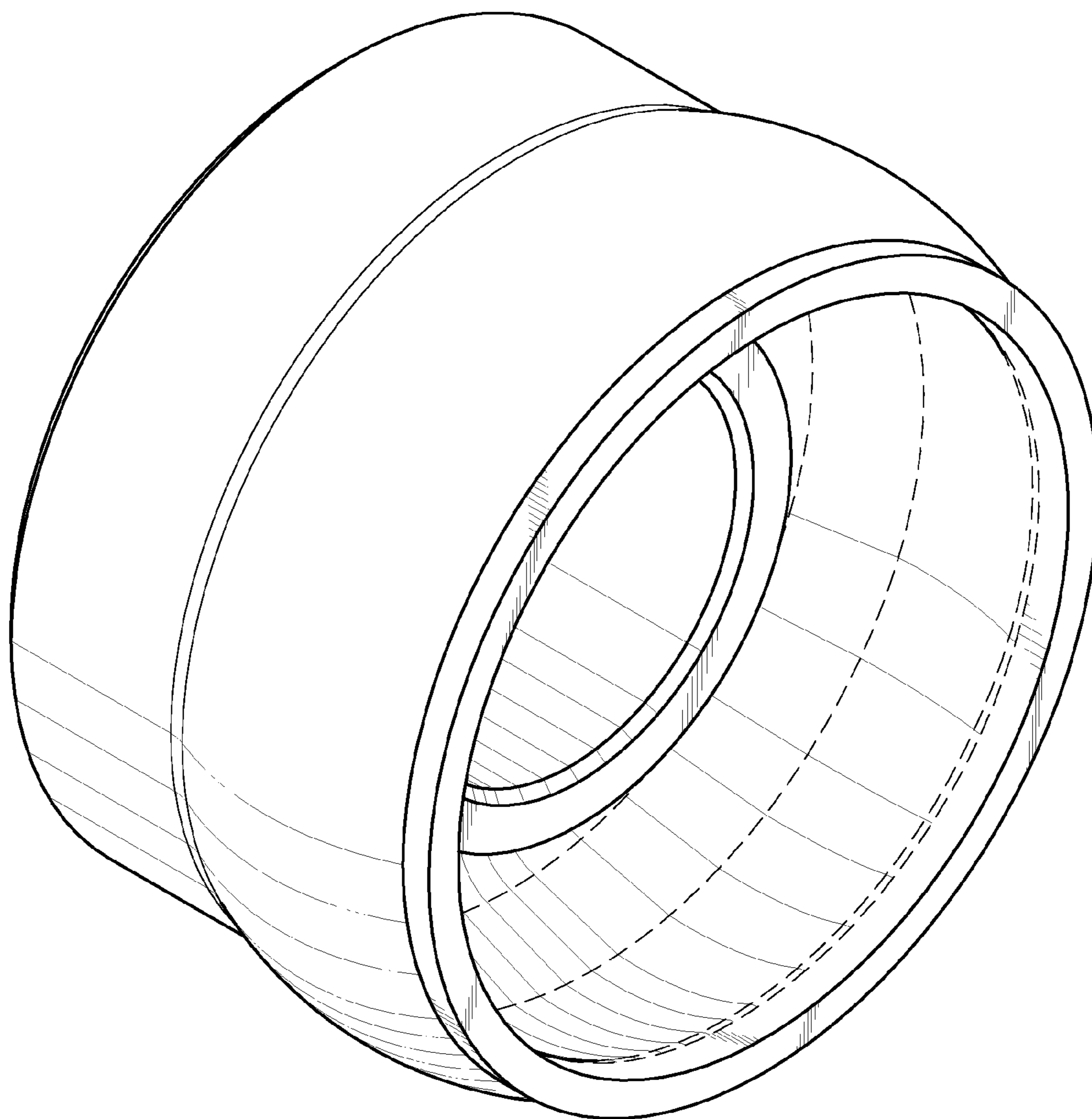


Fig. 1

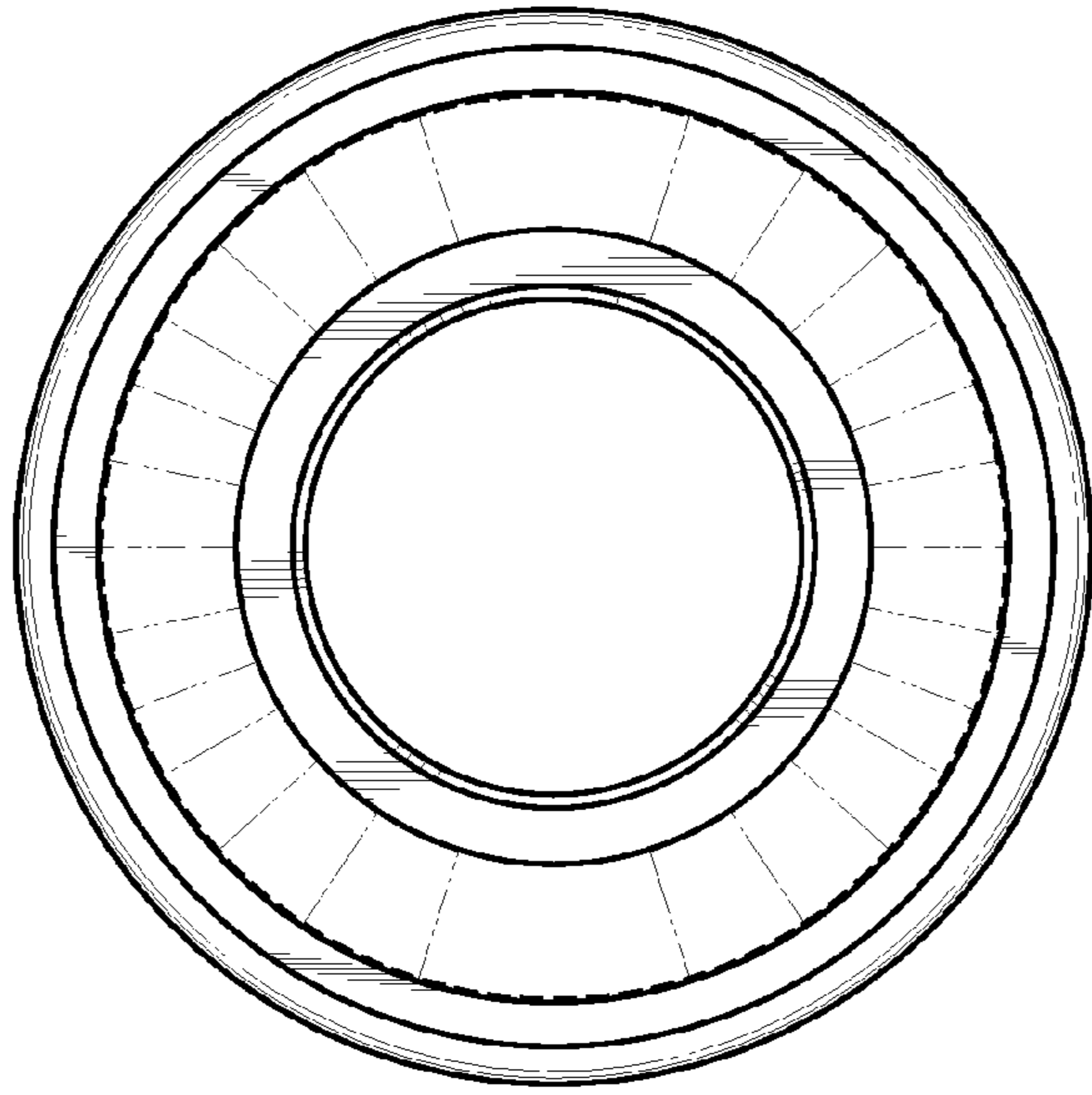


Fig. 4

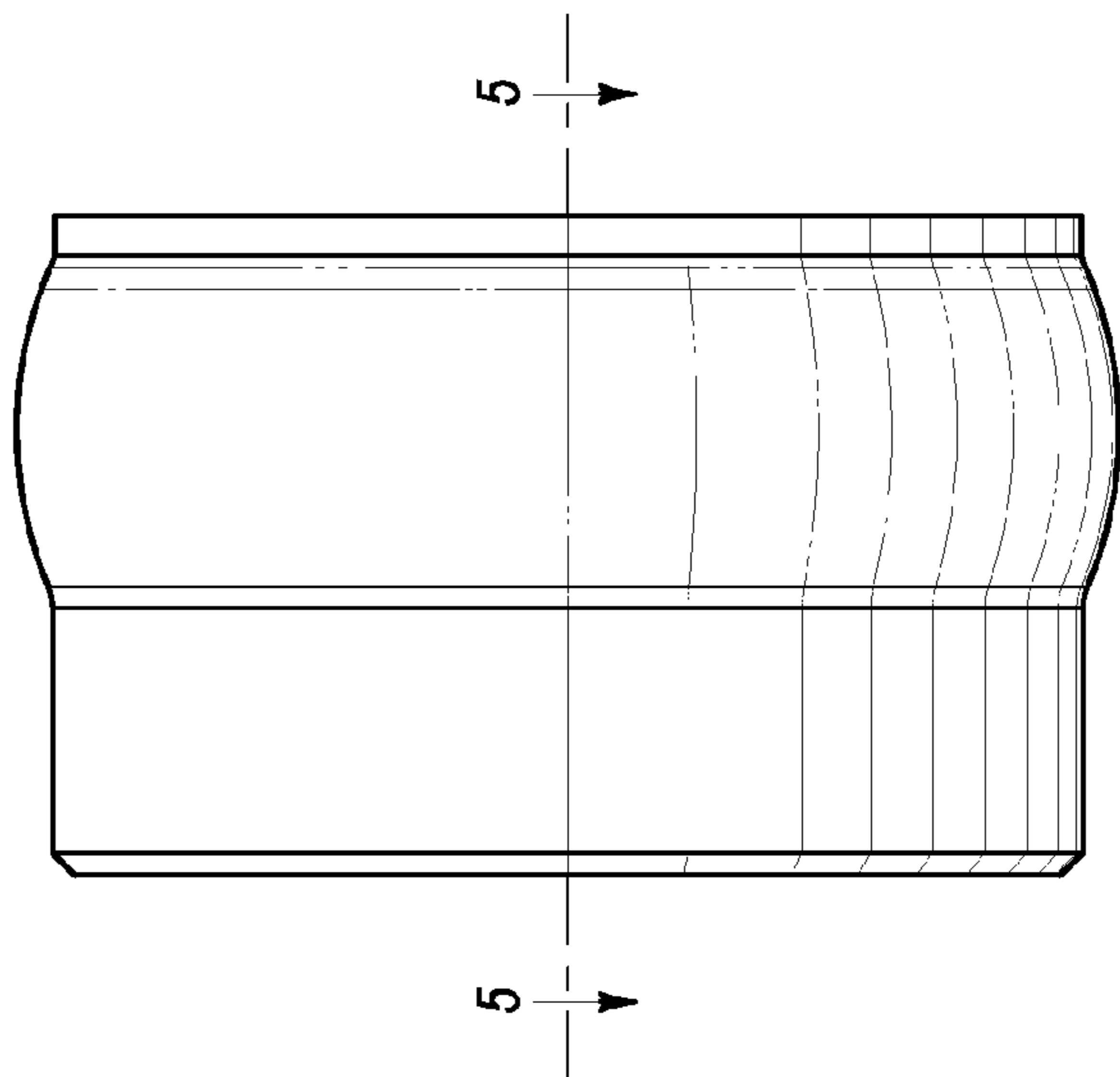


Fig. 2

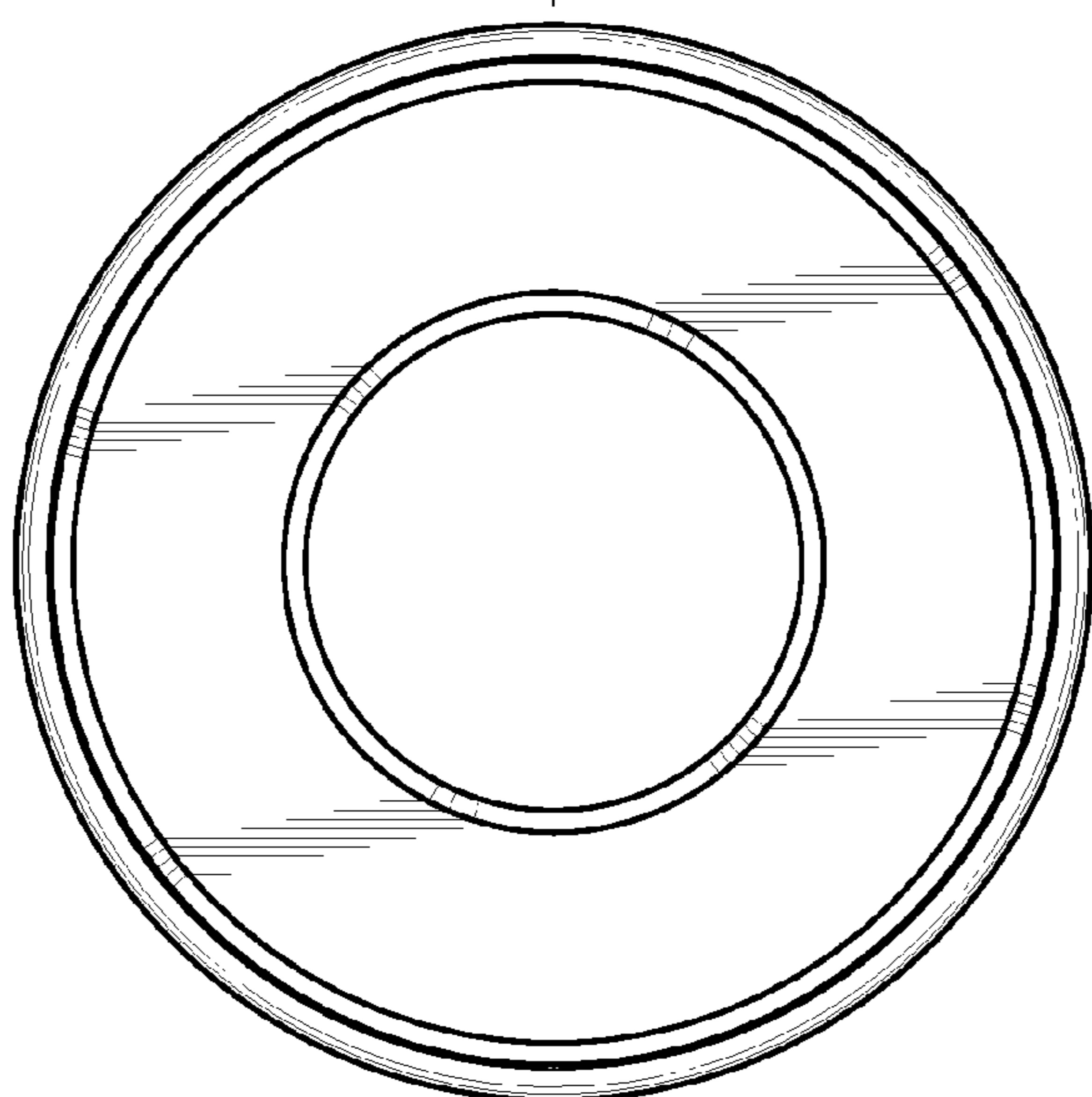


Fig. 3

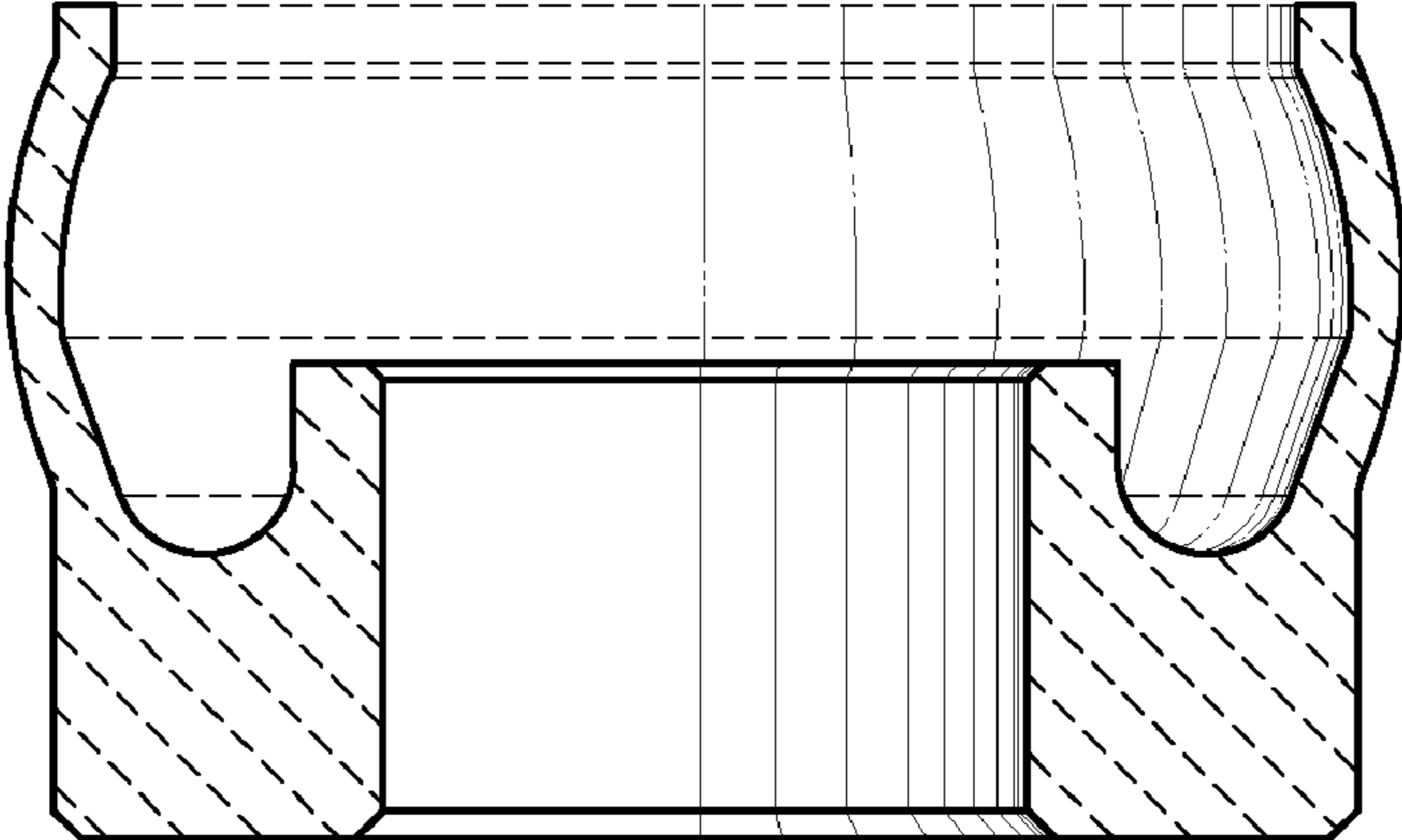


Fig. 5