



US00D648835S

(12) **United States Design Patent**
Ruot

(10) **Patent No.:** **US D648,835 S**

(45) **Date of Patent:** **** Nov. 15, 2011**

(54) **GEOTHERMAL U-BEND SOCKET FUSION FITTING**

(75) Inventor: **Terry J. Ruot**, Titusville, PA (US)

(73) Assignee: **Charter Plastics, Inc.**, Titusville, PA (US)

(**) Term: **14 Years**

(21) Appl. No.: **29/359,883**

(22) Filed: **Apr. 16, 2010**

(51) **LOC (9) Cl.** **23-01**

(52) **U.S. Cl.** **D23/259**

(58) **Field of Classification Search** D23/259-269;
138/42-46, 172-173; 285/155, 179, 150,
285/423, 156, 288, 230, 237, 238

See application file for complete search history.

(56) **References Cited**

U.S. PATENT DOCUMENTS

1,426,324	A *	8/1922	Slick	29/890.147
1,926,460	A *	9/1933	Slagel	165/79
2,286,239	A *	6/1942	Sors	313/515
2,449,754	A *	9/1948	Seitz	285/4
3,877,518	A *	4/1975	Dreksler	165/150
3,908,208	A *	9/1975	McIlroy	4/679
3,957,289	A *	5/1976	Kilgore et al.	285/22
D240,929	S *	8/1976	McIlroy	D23/268
4,286,651	A	9/1981	Steiger		
4,448,238	A	5/1984	Singleton, Jr. et al.		
4,538,673	A	9/1985	Partin et al.		
4,574,875	A	3/1986	Rawlings et al.		
D331,798	S *	12/1992	Klingbyle	D23/263
5,329,992	A	7/1994	Tripp		
5,533,355	A	7/1996	Rawlings		
5,533,356	A	7/1996	Demasters		
5,590,715	A	1/1997	Amerman		
5,630,447	A	5/1997	Jensen		
5,639,184	A	6/1997	Demasters		
5,642,964	A	7/1997	Demasters		

5,758,724	A	6/1998	Amerman		
D409,728	S *	5/1999	Helmsderfer	D23/266
6,000,459	A	12/1999	Jeppesen		
6,041,862	A	3/2000	Amerman		
6,250,371	B1	6/2001	Amerman		
6,276,438	B1	8/2001	Amerman		
6,585,036	B2	7/2003	Amerman		
6,672,371	B1	1/2004	Amerman		
D488,486	S	4/2004	Hibbs		
D498,771	S	11/2004	Hibbs		
D501,915	S	2/2005	Roesch et al.		
6,859,956	B2	3/2005	Mantyla		
6,860,320	B2	3/2005	Johnson, Jr. et al.		
6,998,588	B2	2/2006	Harget		

(Continued)

OTHER PUBLICATIONS

HVAC Applications for PE Pipe (Chapter 13, 467)(IGSHPA).

(Continued)

Primary Examiner — T. Chase Nelson

Assistant Examiner — Eric Goodman

(74) *Attorney, Agent, or Firm* — Wayne L. Lovercheck, Esq.

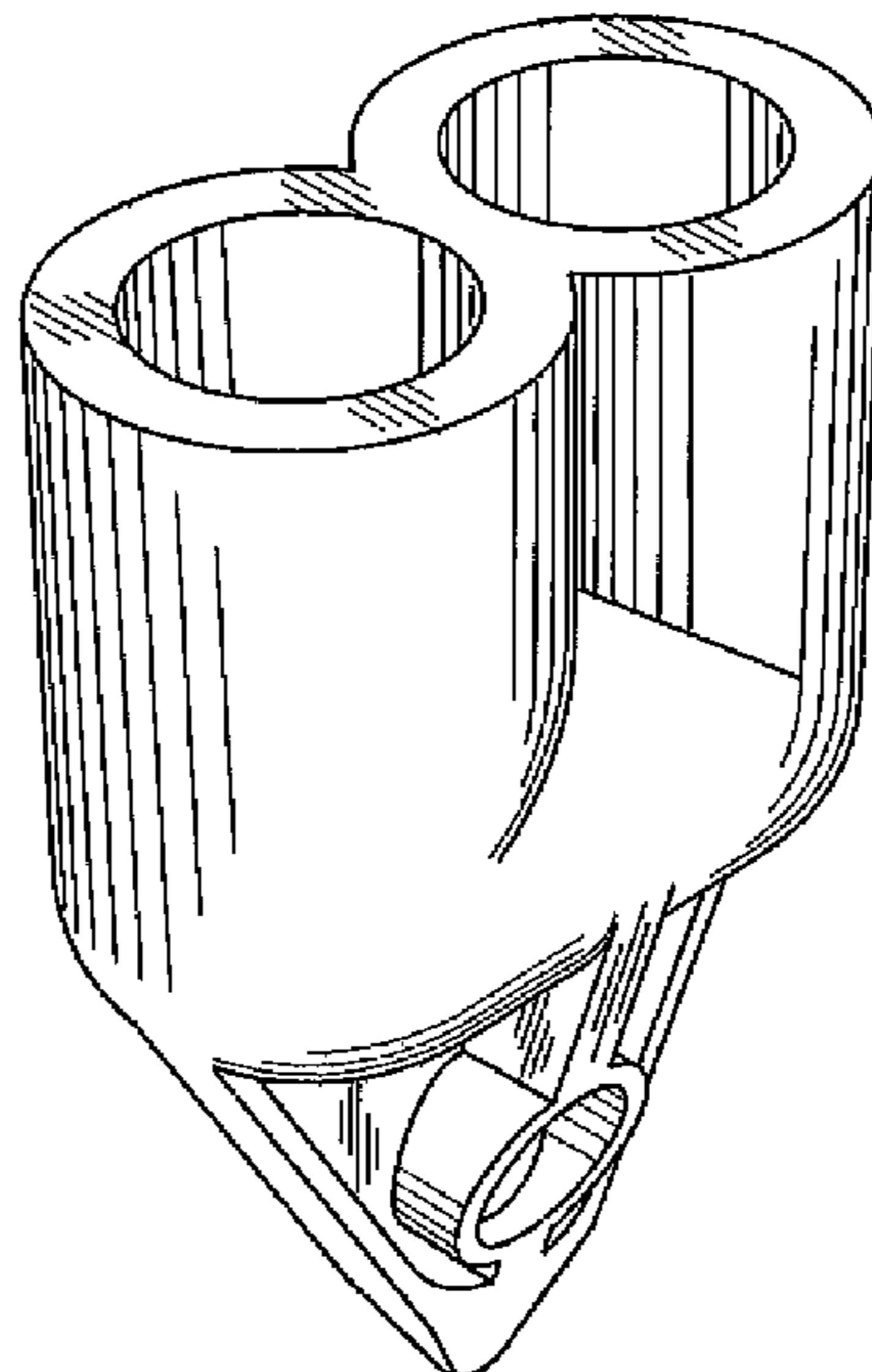
(57) **CLAIM**

I claim the ornamental design for a geothermal U-bend socket fusion fitting, as shown and described.

DESCRIPTION

FIG. 1 is a perspective view of a geothermal U-bend socket fusion fitting, showing my new design. FIG. 2 is a front plan view thereof. FIG. 3 is a rear plan view thereof. FIG. 4 is a right side plan view thereof. FIG. 5 is a left side plan view thereof. FIG. 6 is a top plan view thereof. The broken lines in FIG. 6 define the boundaries of the claimed design, and they and the areas within them form no part of the claimed design; and, FIG. 7 is a bottom plan view thereof.

1 Claim, 2 Drawing Sheets



U.S. PATENT DOCUMENTS

7,017,650 B2 3/2006 Johnson, Jr. et al.
7,213,649 B2 5/2007 McNair
D556,559 S * 12/2007 Jones et al. D8/382
7,380,605 B1 6/2008 Wolf
D575,378 S * 8/2008 Hedlund et al. D23/262
2009/0090454 A1 4/2009 Lutz et al.

OTHER PUBLICATIONS

Climate Master, Inc. (www.climatemaster.com).
Charter Plastics, Geothermal Products Brochure (www.charterplastics.com/goothermal.html).
“NL Master Specification Guide for Public Funded Buildings,” US Government Specifications, Feb. 28, 2009, Section 33 65 47—Geothermal Vertical Borehole Heat Exchanger, pp. 1-6.
GHP Systems, Inc. (www.ghpsystems.com/Specifications.htm).
www.blueridgecompany.com.

Centennial Plastics, LLC, Brochure, see p. 1 and 2 (www.centennialplastics.com).
Performance Pipe Driscoplex 5300 Series Brochure, see p. 1 and 4, Bulletin; PP 650 (www.performancepipe.com).
Performance Pipe, Geofittings documents, see p. 1 (www.performancepipe.com/bl/performancepipe/en-us/geo/Pages/fittings.aspx).
Vanguard Pipe & Fittings, Ltd., Radiant & Geothermal Product Catalogue, p. B5.
A-D Technologies, Arnco Dura-Line Geothermal Pipe, see p. 1 and 2 (www.adtechnologies.com/Product.aspx?PAGE_ID=910).
JM Manufacturing, JM Eagle HDPE Price List, see p. 20.
Central Plastics Catalogue, Conventional Fusion Products, Butt Fittings: Geo-Loops (U-Bends), see p. 8 and 33 (www.centralplastics.com).
Polytubes, geothermal, (www.info@polytubes.com).

* cited by examiner

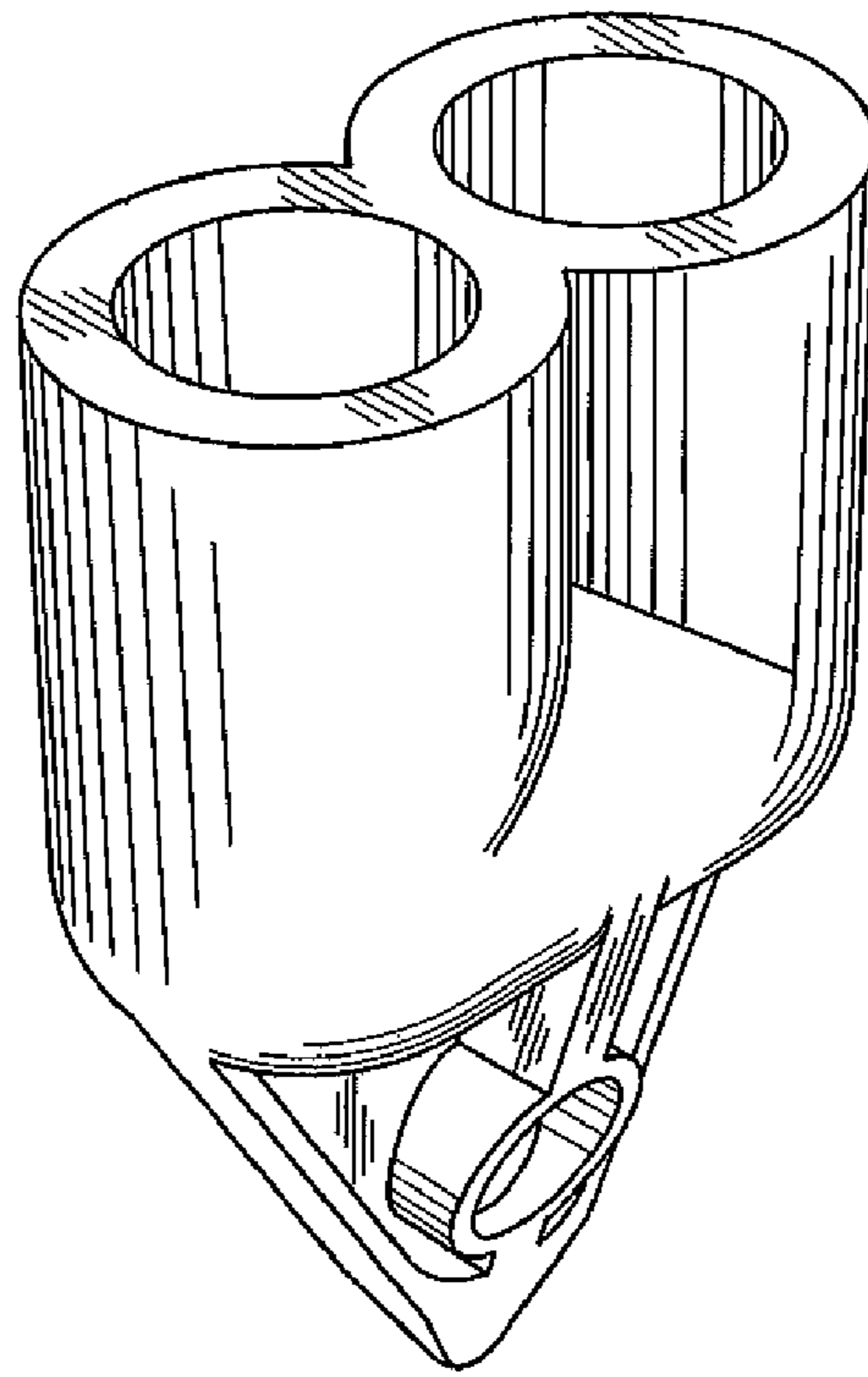


Fig. 1

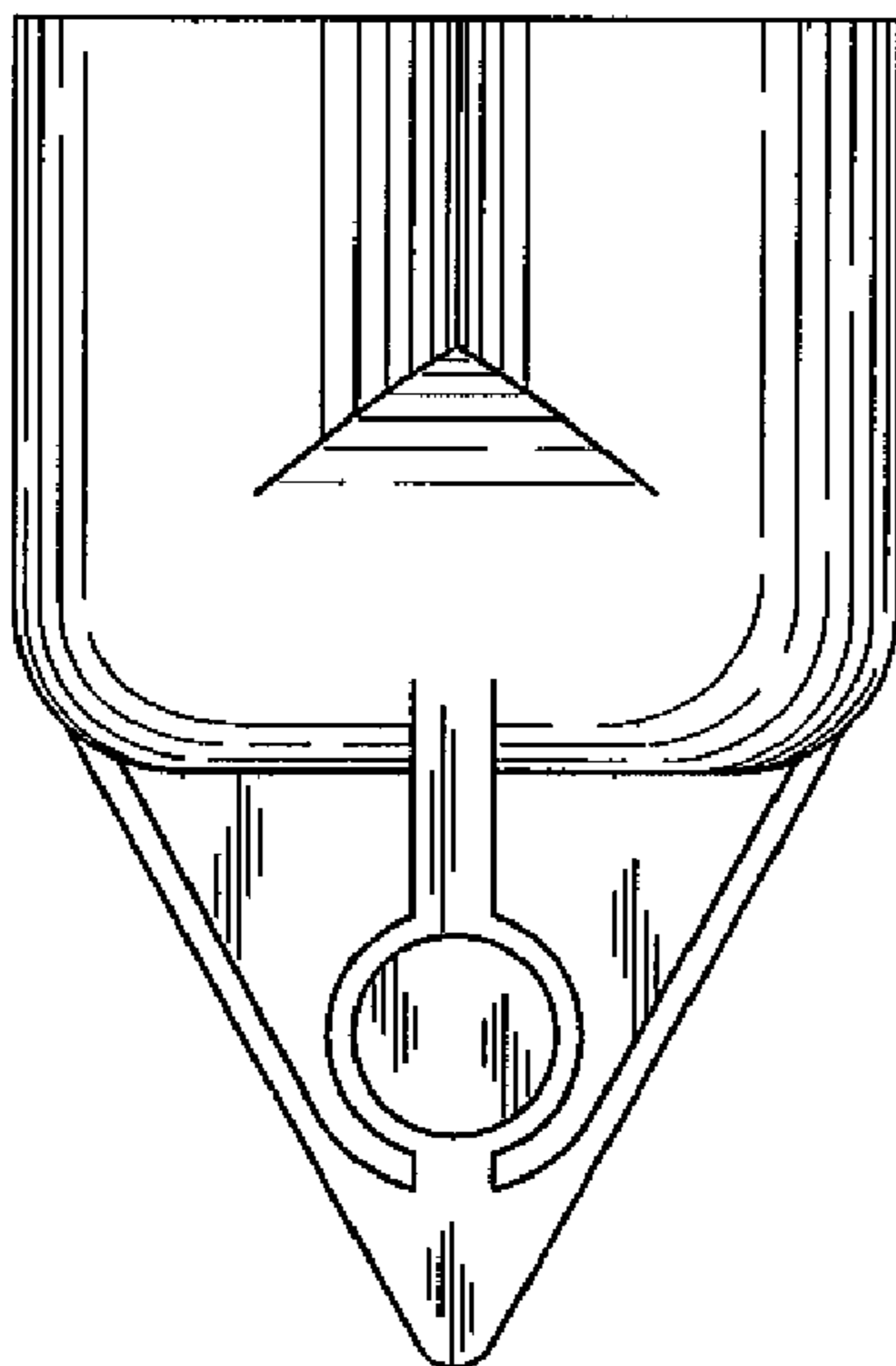


Fig. 2

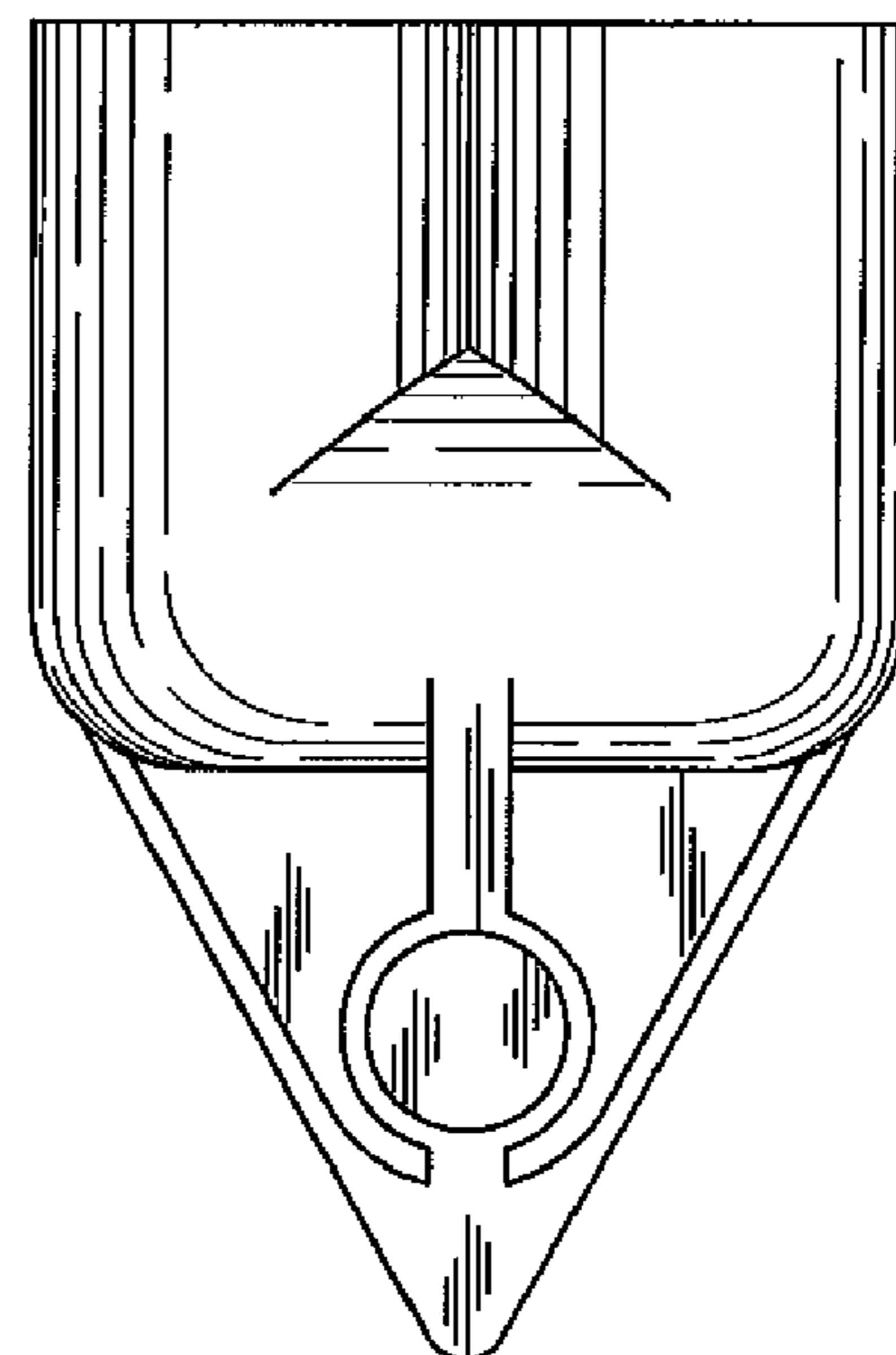


Fig. 3

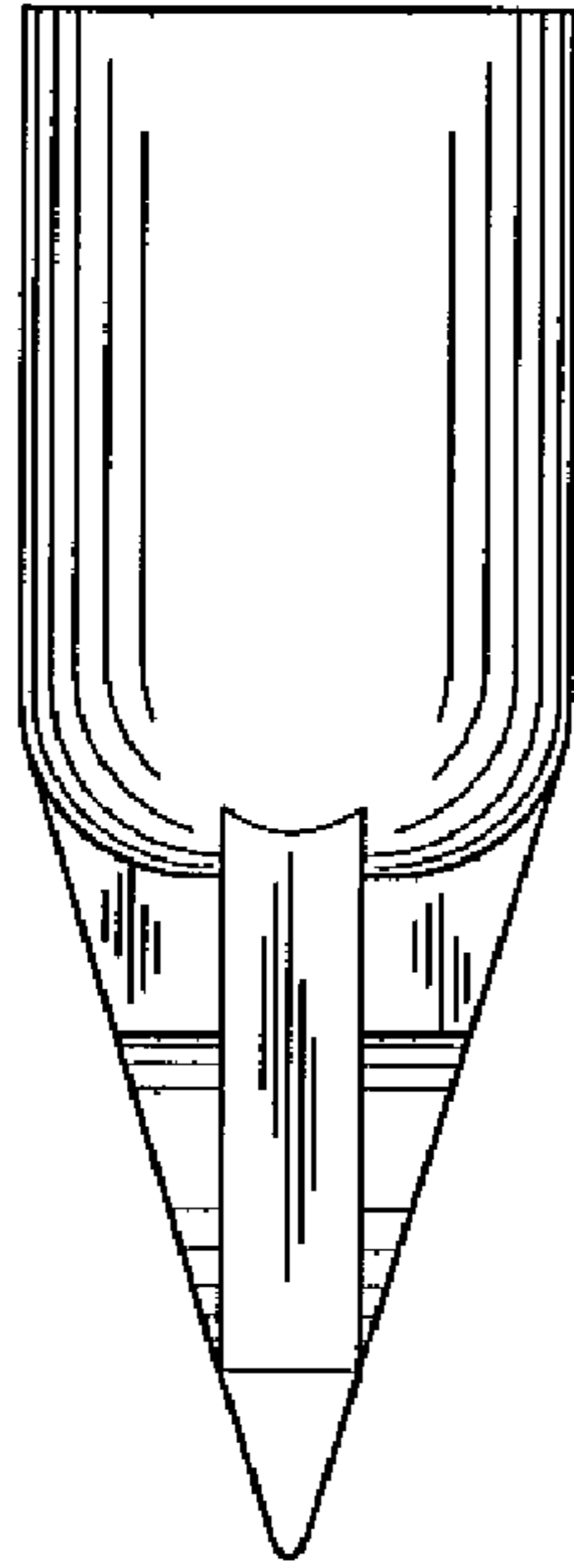


Fig. 4

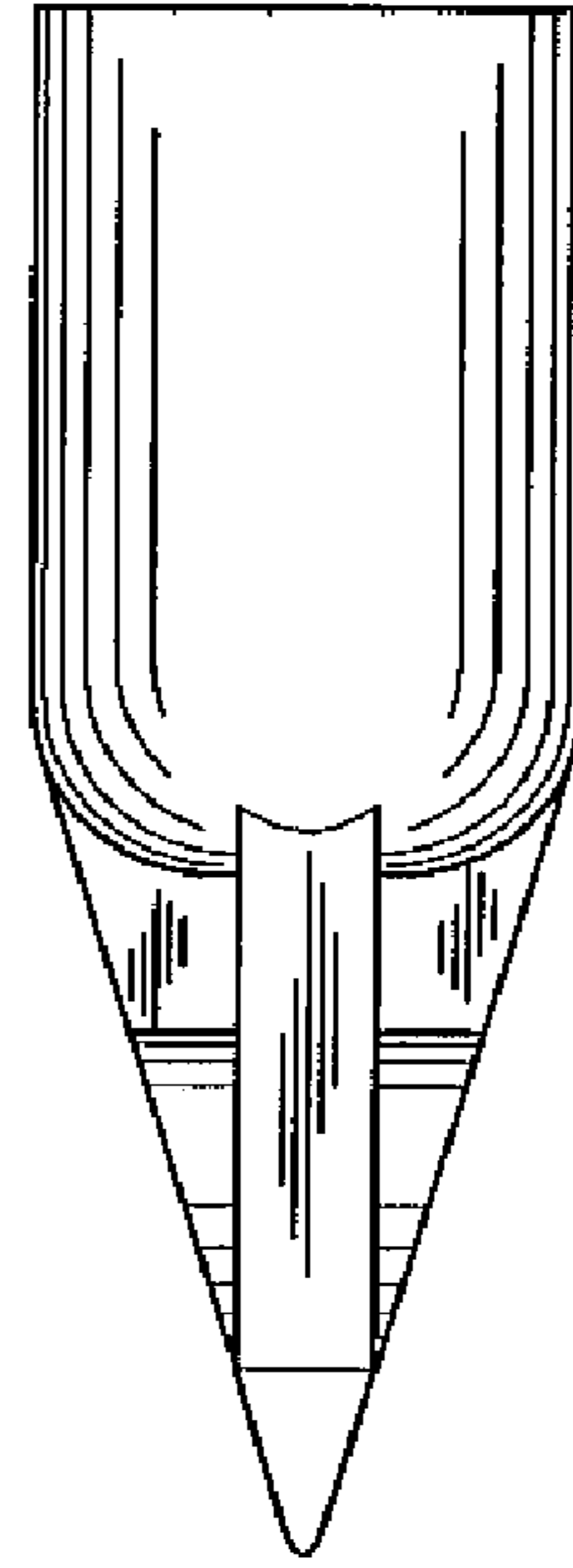


Fig. 5

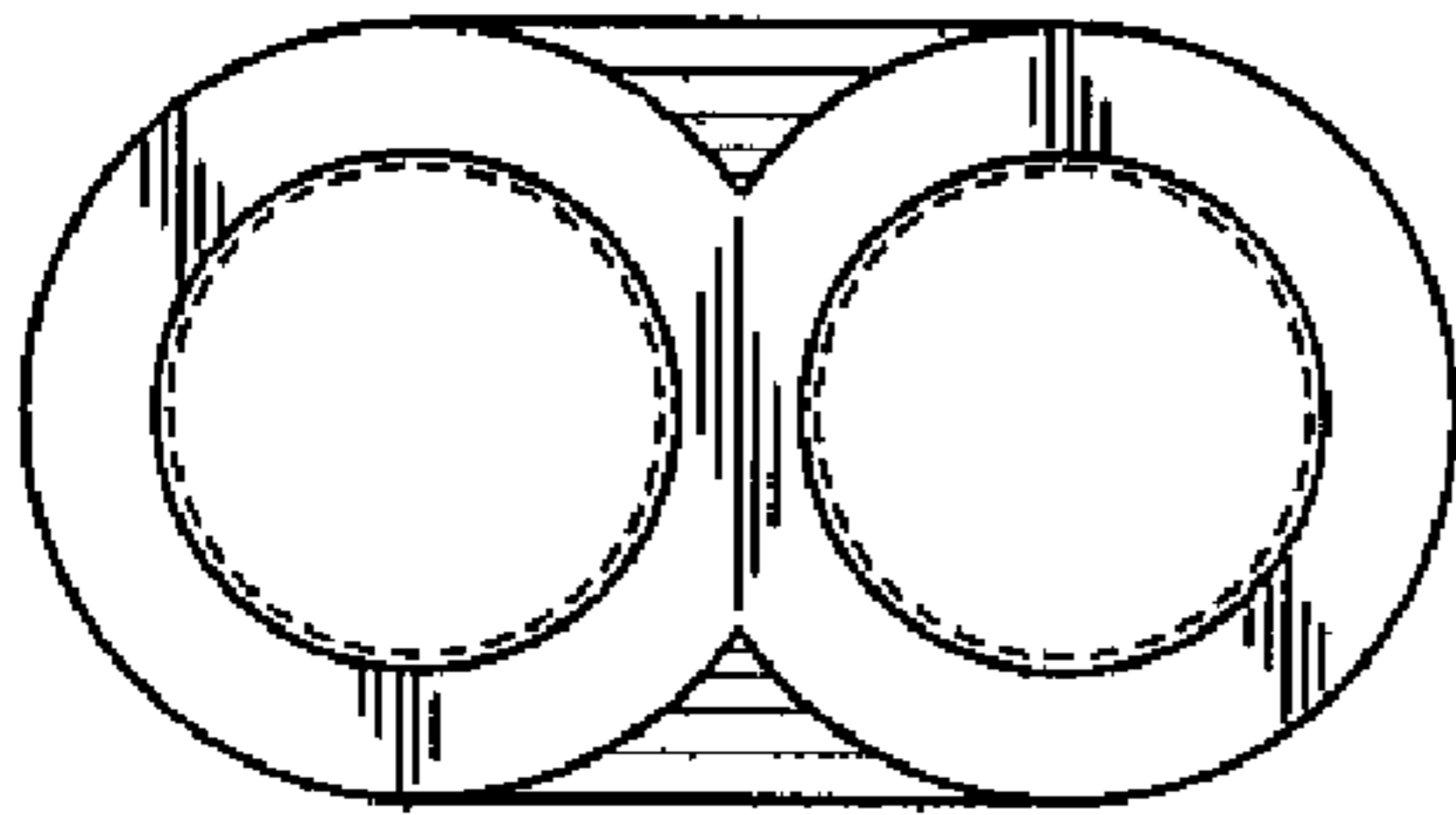


Fig. 6

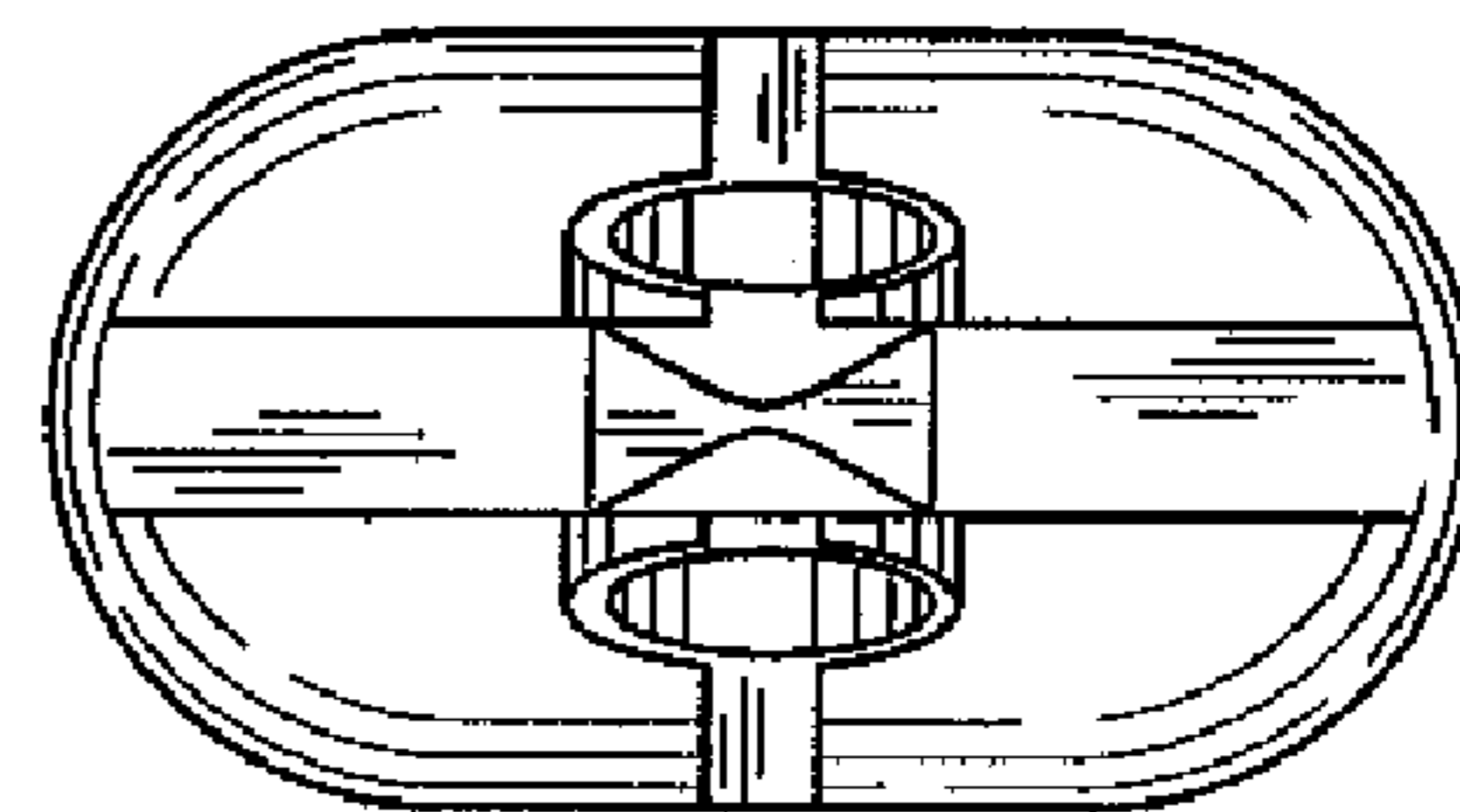


Fig. 7