



US00D648833S

(12) **United States Design Patent**  
**Obara et al.**

(10) **Patent No.:** **US D648,833 S**

(45) **Date of Patent:** **\*\* Nov. 15, 2011**

(54) **HANDLE FOR FAUCET**

(75) Inventors: **Mitsuya Obara**, Morrow, GA (US); **Lea Mari Mendoza**, Morrow, GA (US); **Hajime Kakihana**, Fukuoka (JP)

(73) Assignee: **TOTO Ltd.**, Kitakyushu-shi, Fukuoka (JP)

(\*\*) Term: **14 Years**

(21) Appl. No.: **29/389,464**

(22) Filed: **Apr. 12, 2011**

(51) **LOC (9) Cl.** ..... **23-01**

(52) **U.S. Cl.** ..... **D23/252; D23/254**

(58) **Field of Classification Search** ..... D23/250,  
D23/252, 254, 238-243; 4/676-677; 137/801,  
137/359; D8/350-353

See application file for complete search history.

(56) **References Cited**

**U.S. PATENT DOCUMENTS**

D400,651 S \* 11/1998 Hundley et al. .... D23/254  
D476,399 S \* 6/2003 Panis et al. .... D23/254

D531,703 S \* 11/2006 Tsai ..... D23/254  
D582,012 S \* 12/2008 Chang ..... D23/250  
D627,860 S \* 11/2010 Sedwick ..... D23/252

\* cited by examiner

*Primary Examiner* — Robert Delehanty

(74) *Attorney, Agent, or Firm* — Banner & Witcoff, Ltd

(57) **CLAIM**

The ornamental design for a handle for faucet, as shown and described.

**DESCRIPTION**

FIG. 1 is a perspective view of front, top plan and right side of a faucet according to our new design;

FIG. 2 is a front view thereof;

FIG. 3 is a rear view thereof;

FIG. 4 is a left side view thereof;

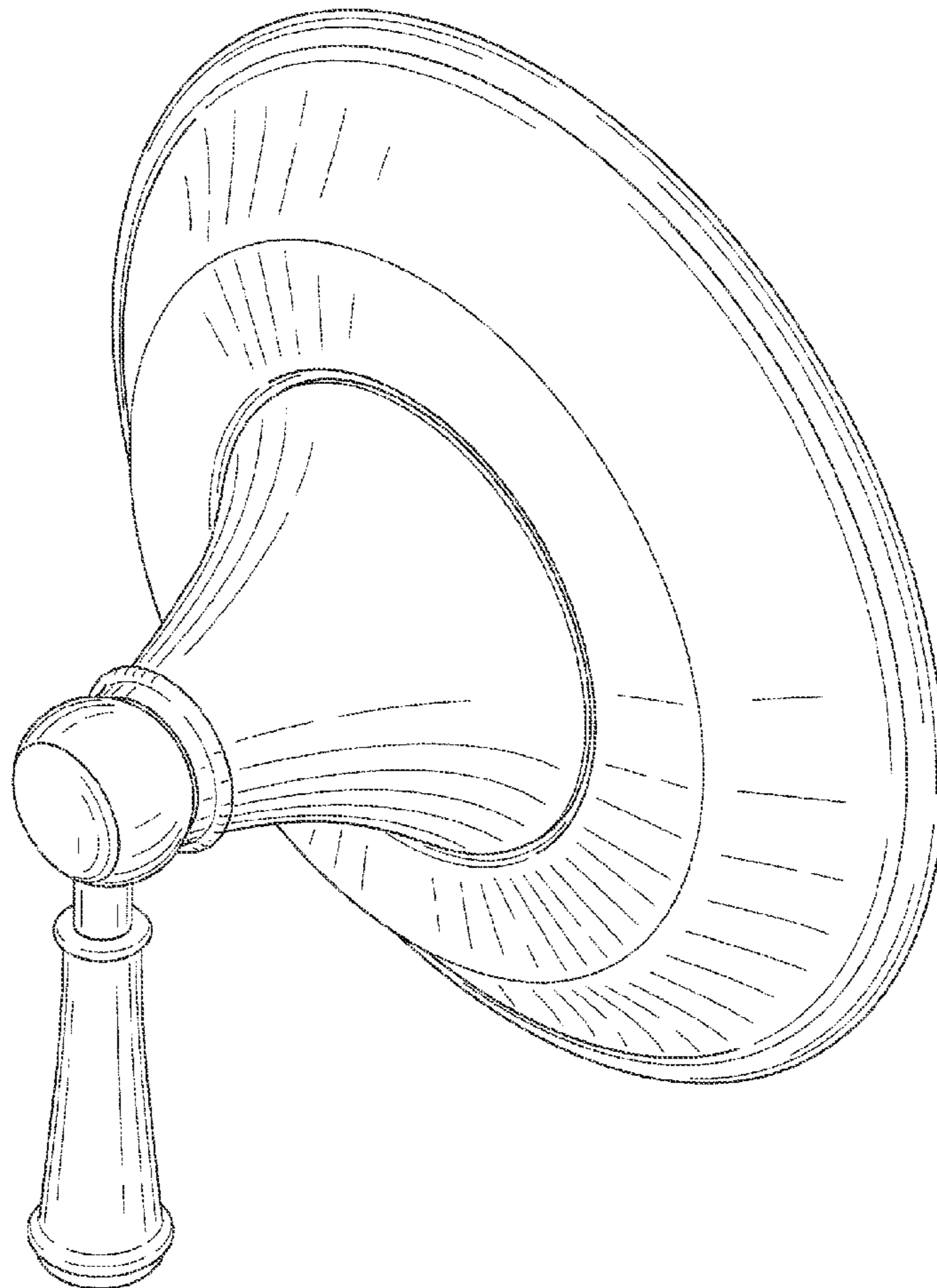
FIG. 5 is a right side view thereof;

FIG. 6 is a top plan view thereof; and,

FIG. 7 is a bottom view thereof.

The portions of the article in broken lines are shown for illustrative purposes only and form no part of the claimed design.

**1 Claim, 6 Drawing Sheets**



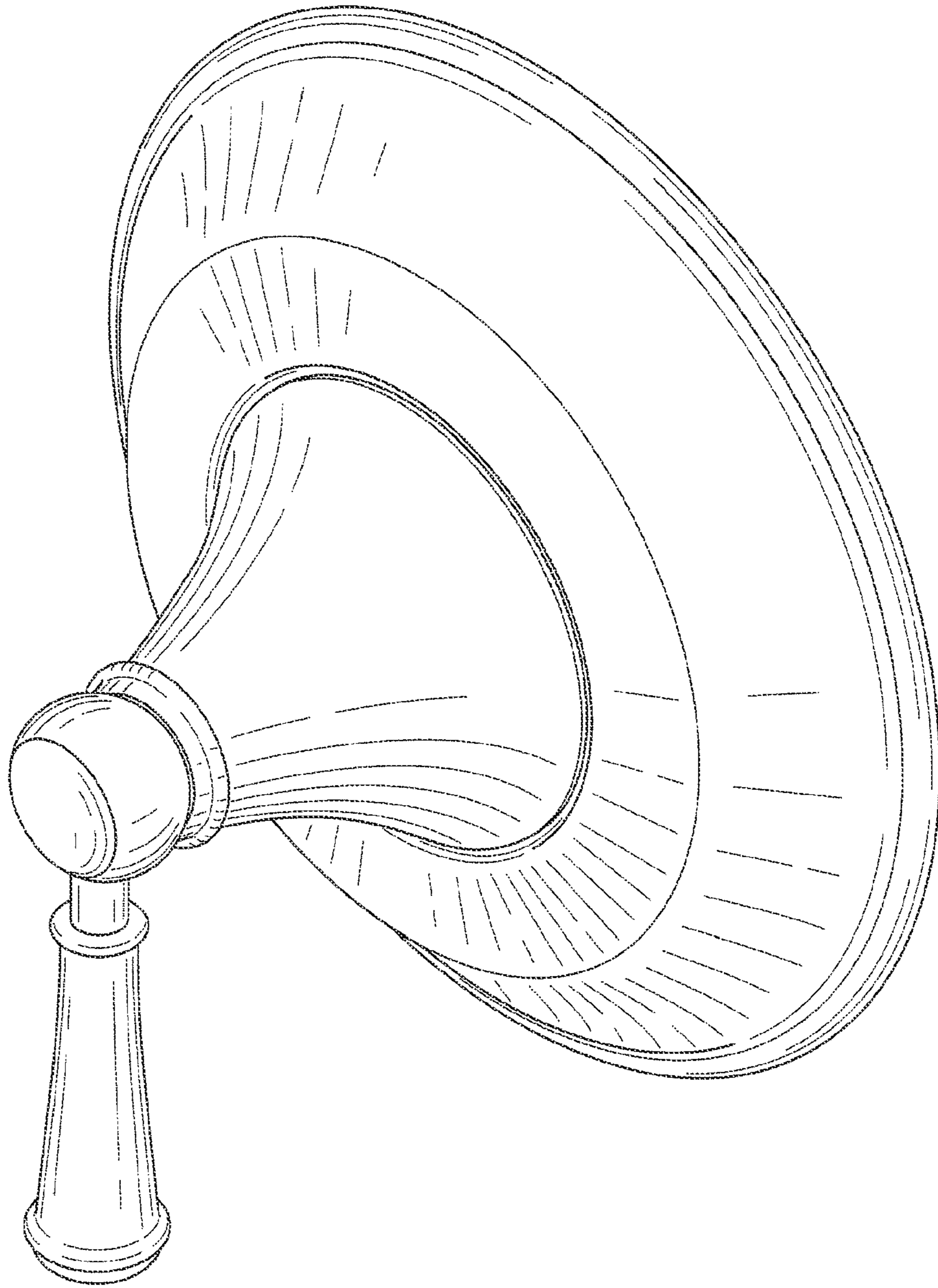


FIG. 1

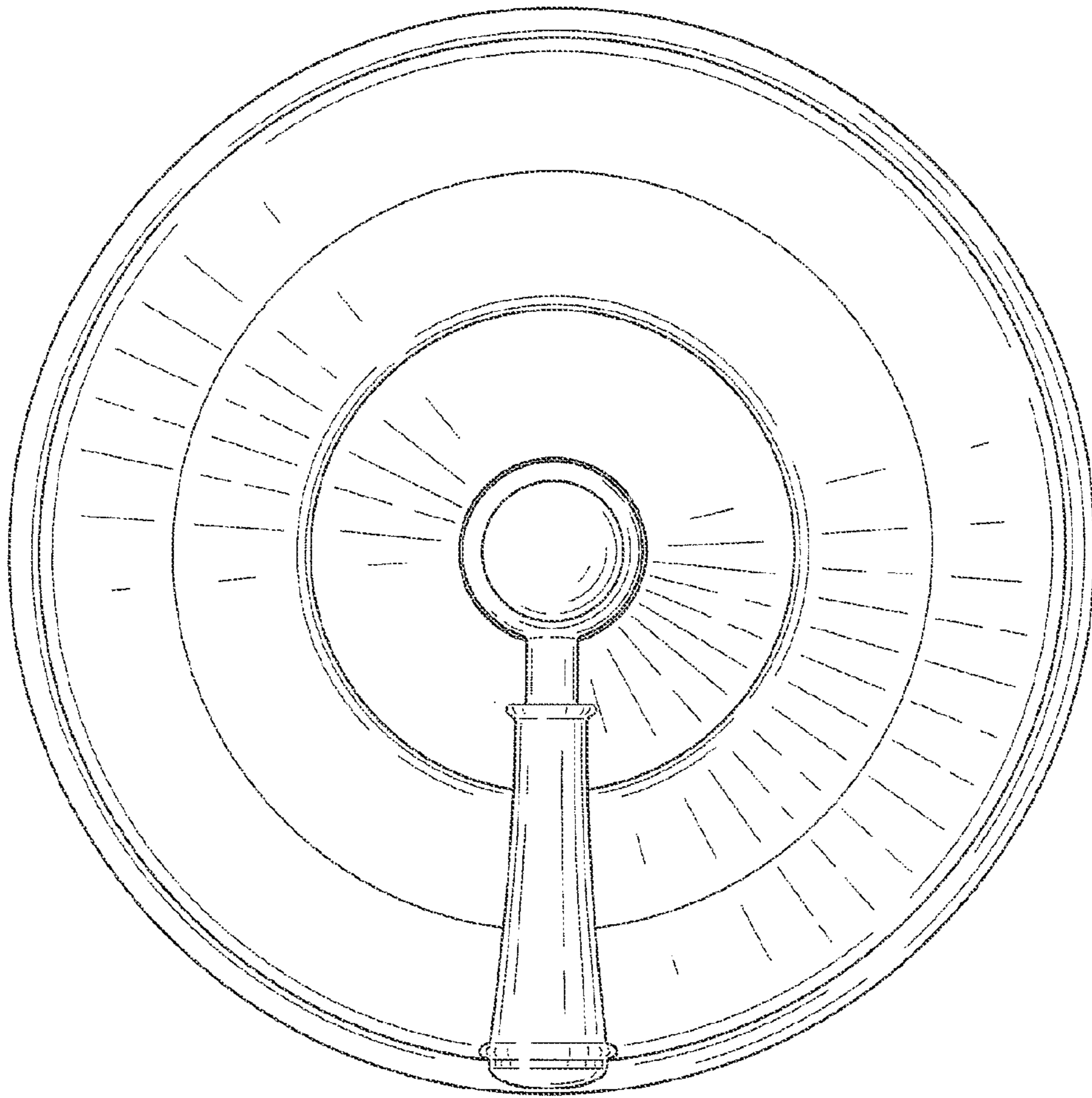
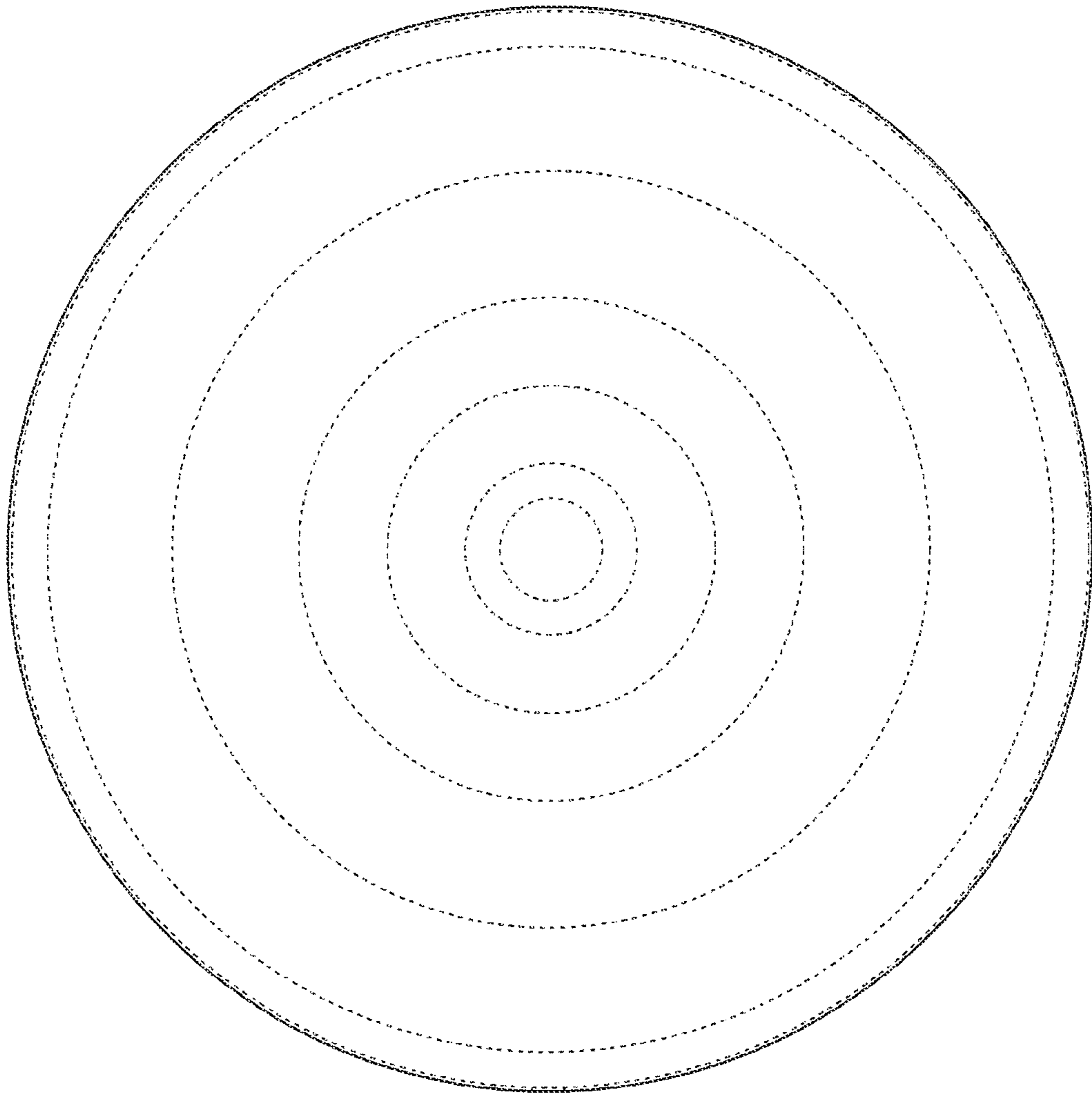


FIG. 2



*FIG. 3*

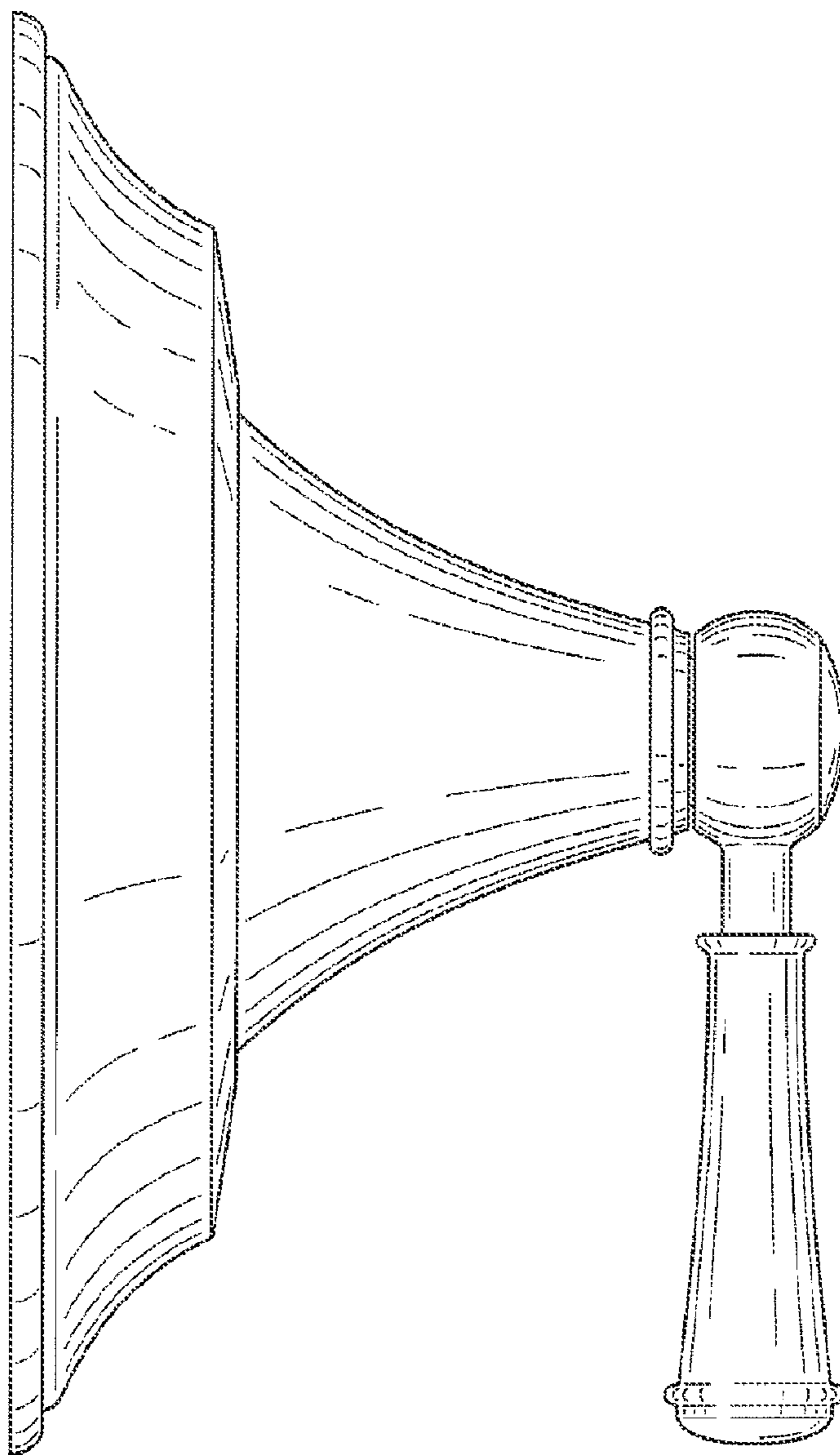


FIG. 4

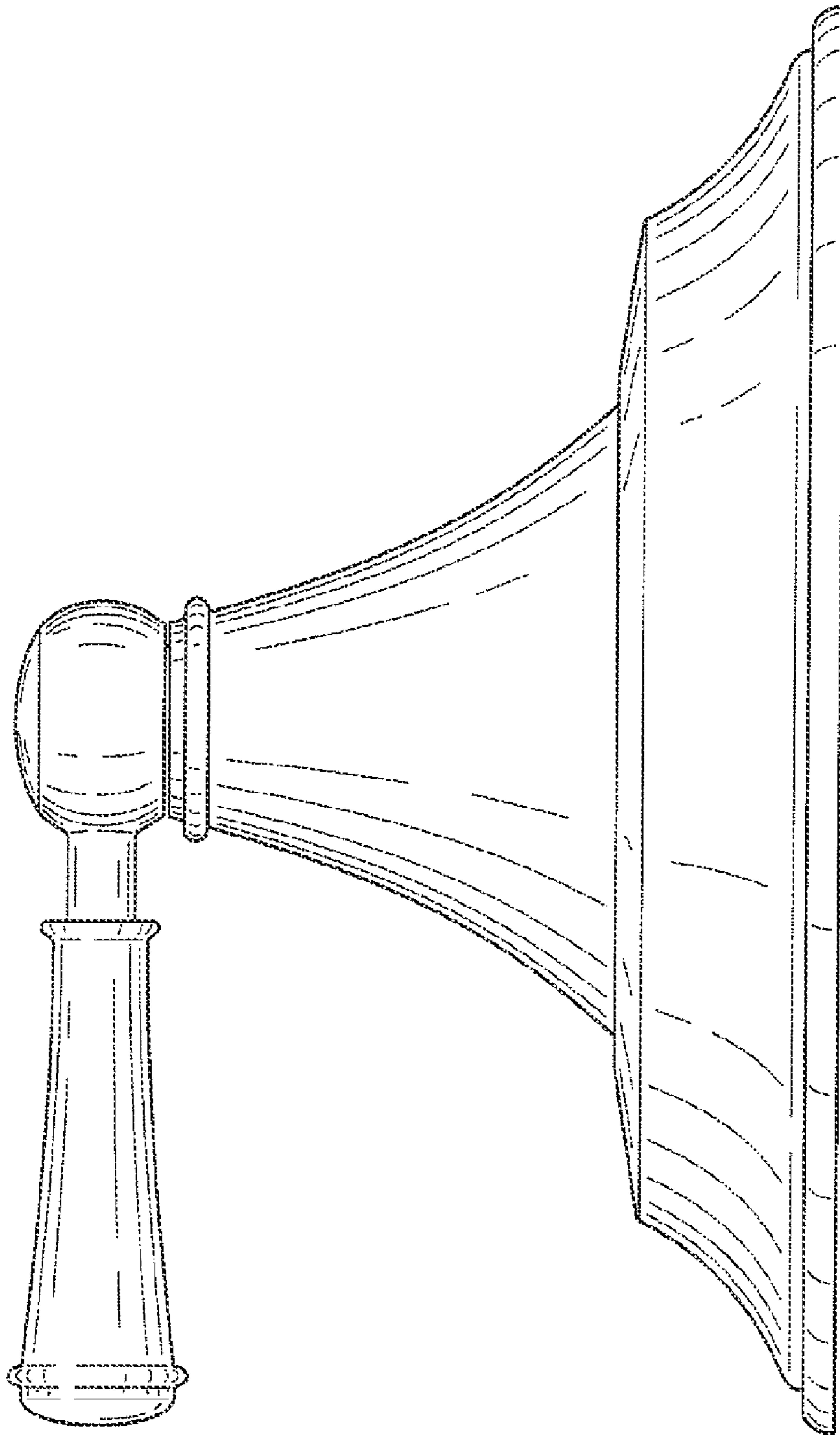


FIG. 5

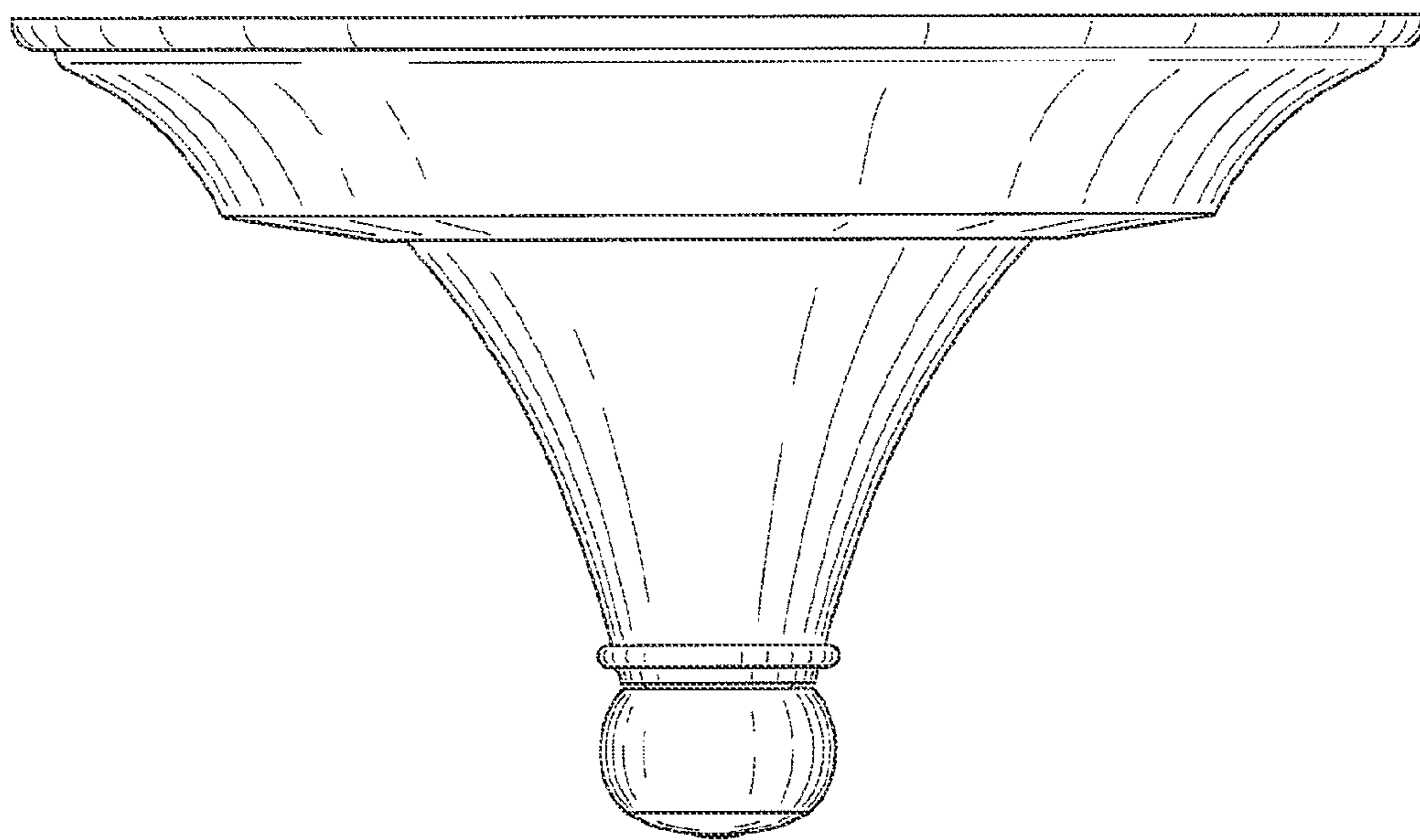


FIG. 6

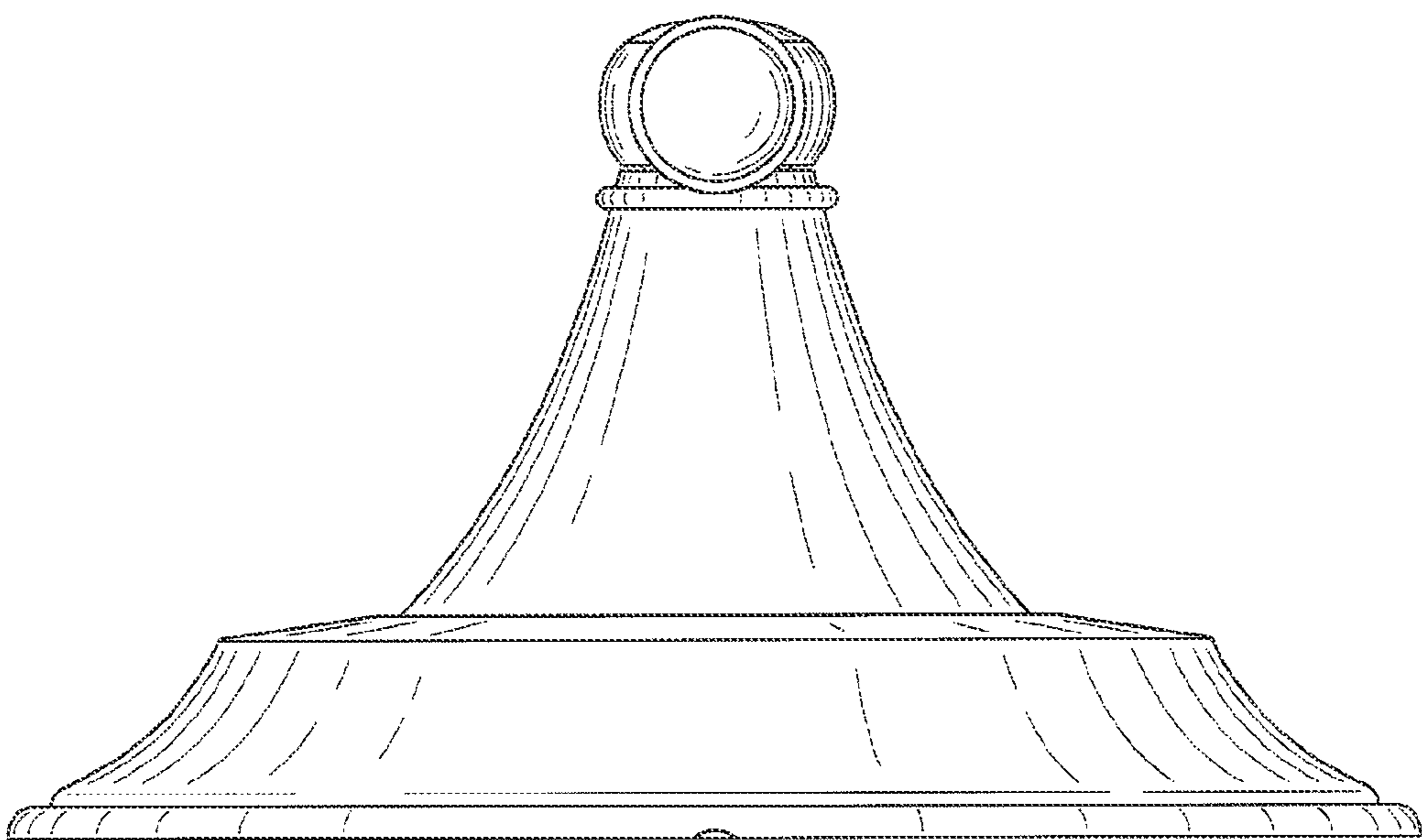


FIG. 7

UNITED STATES PATENT AND TRADEMARK OFFICE  
**CERTIFICATE OF CORRECTION**

PATENT NO. : D648,833 S  
APPLICATION NO. : 29/389464  
DATED : November 15, 2011  
INVENTOR(S) : Mitsuya Obara et al.

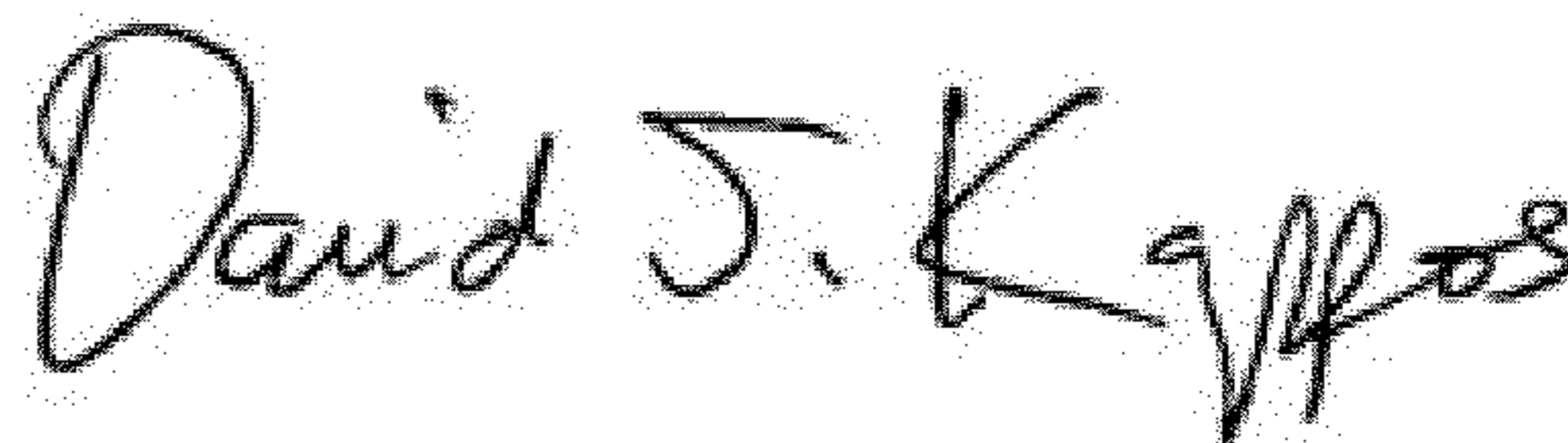
Page 1 of 1

It is certified that error appears in the above-identified patent and that said Letters Patent is hereby corrected as shown below:

Title page 1, in the DESCRIPTION section, sentence starting at line one should read as follows:

Fig. 1 is a perspective view of the front, top, and right side of a handle for faucet according to our new design;

Signed and Sealed this  
Twenty-ninth Day of May, 2012

A handwritten signature in black ink that reads "David J. Kappos". The signature is written in a cursive, slightly slanted style.

David J. Kappos  
*Director of the United States Patent and Trademark Office*