



US00D648830S

(12) **United States Design Patent**
Corbett

(10) **Patent No.:** **US D648,830 S**

(45) **Date of Patent:** **** Nov. 15, 2011**

(54) **FAUCET HANDLE**

(75) Inventor: **Jessina Corbett**, Chicago, IL (US)

(73) Assignee: **Masco Corporation of Indiana**,
Indianapolis, IN (US)

(**) Term: **14 Years**

(21) Appl. No.: **29/383,631**

(22) Filed: **Jan. 20, 2011**

(51) **LOC (9) Cl.** **23-01**

(52) **U.S. Cl.** **D23/252**

(58) **Field of Classification Search** D23/250,
D23/252, 254, 238-243; 4/676-677; 137/801
See application file for complete search history.

(56) **References Cited**

U.S. PATENT DOCUMENTS

D587,786 S * 3/2009 Williams D23/252

D598,984 S * 8/2009 Corbett D23/252
D631,137 S * 1/2011 Ke et al. D23/252
D643,096 S * 8/2011 Corbett D23/242

* cited by examiner

Primary Examiner — Robert Delehanty

(74) *Attorney, Agent, or Firm* — Edgar A. Zarins; Nirav D. Parikh

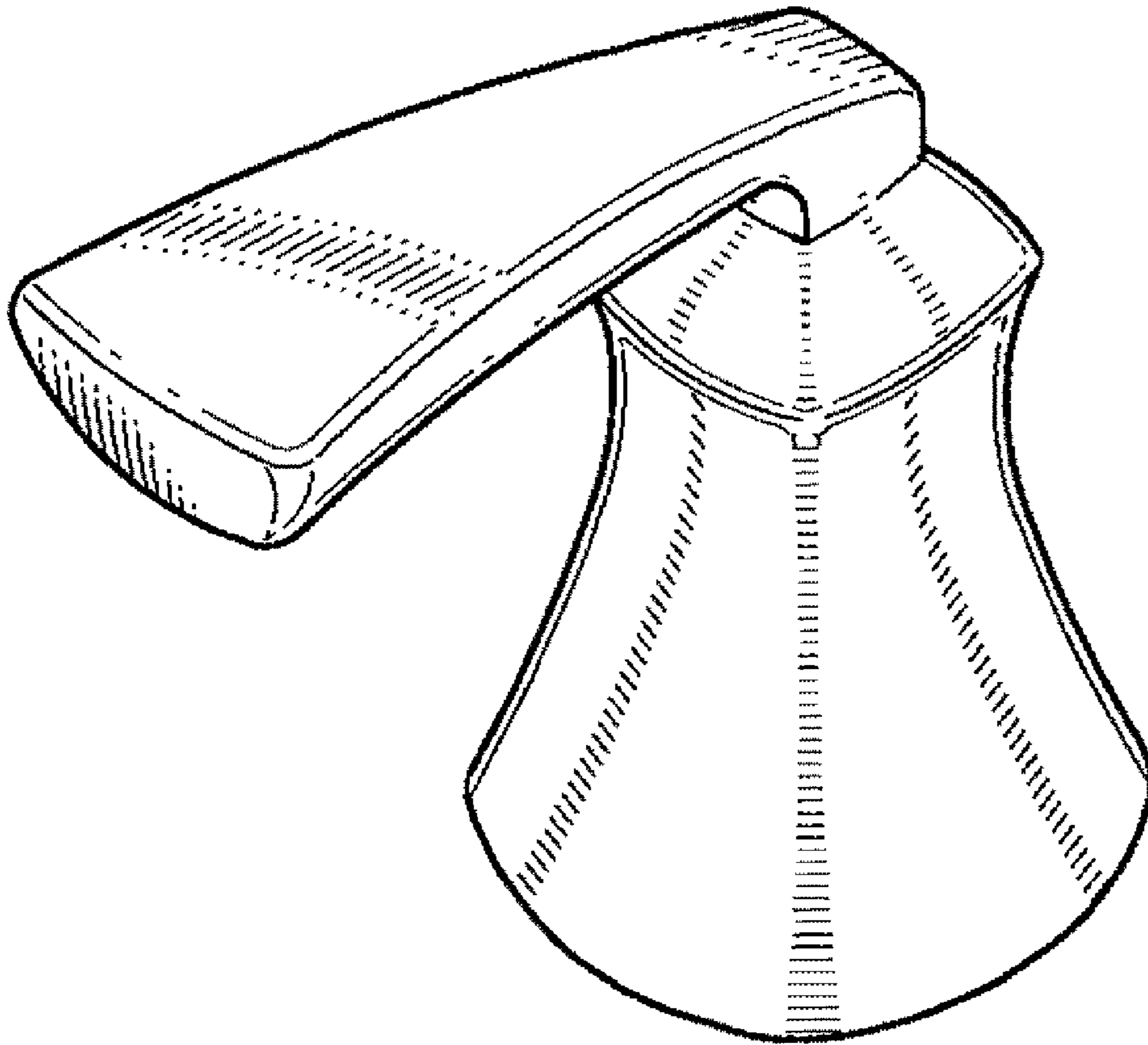
(57) **CLAIM**

The ornamental design for a faucet handle, as shown and described.

DESCRIPTION

FIG. 1 is a front perspective view of a faucet handle showing my new design;
FIG. 2 is a top plan view thereof;
FIG. 3 is a front elevational view thereof, the opposite side being a mirror image of the side shown;
FIG. 4 is a first end view thereof;
FIG. 5 is a second end view thereof; and,
FIG. 6 is a bottom view thereof.

1 Claim, 2 Drawing Sheets



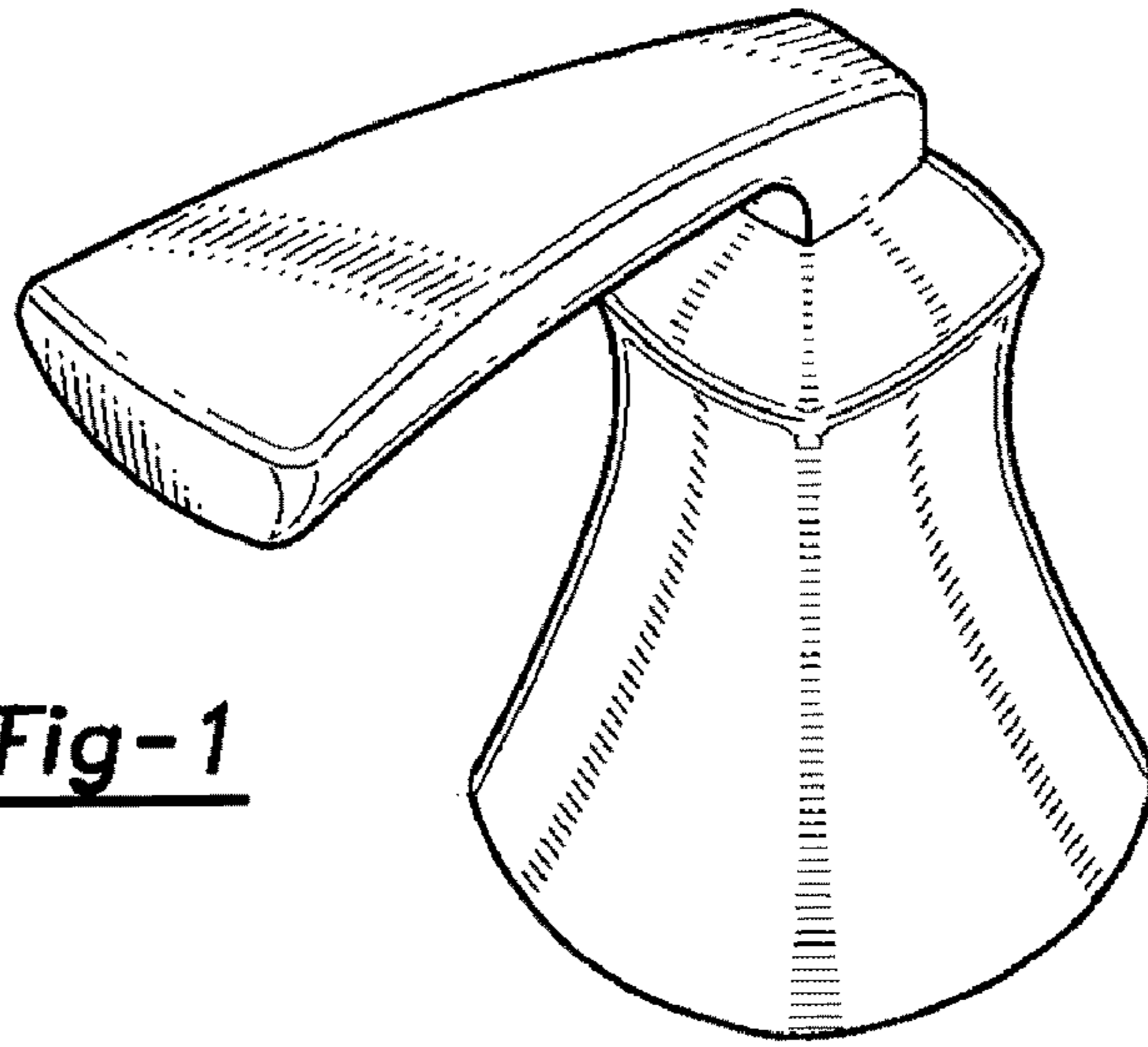


Fig-1

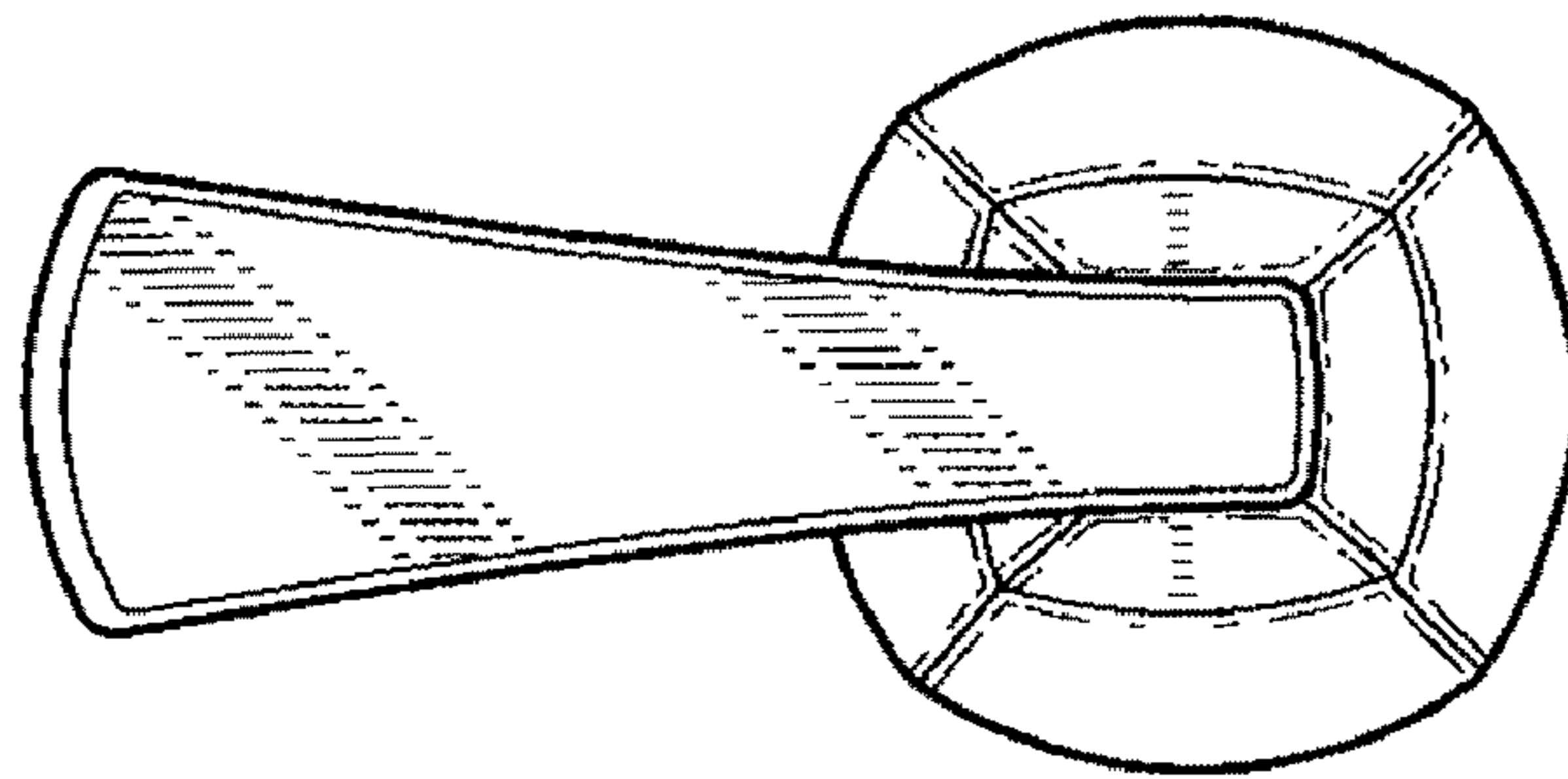


Fig-2

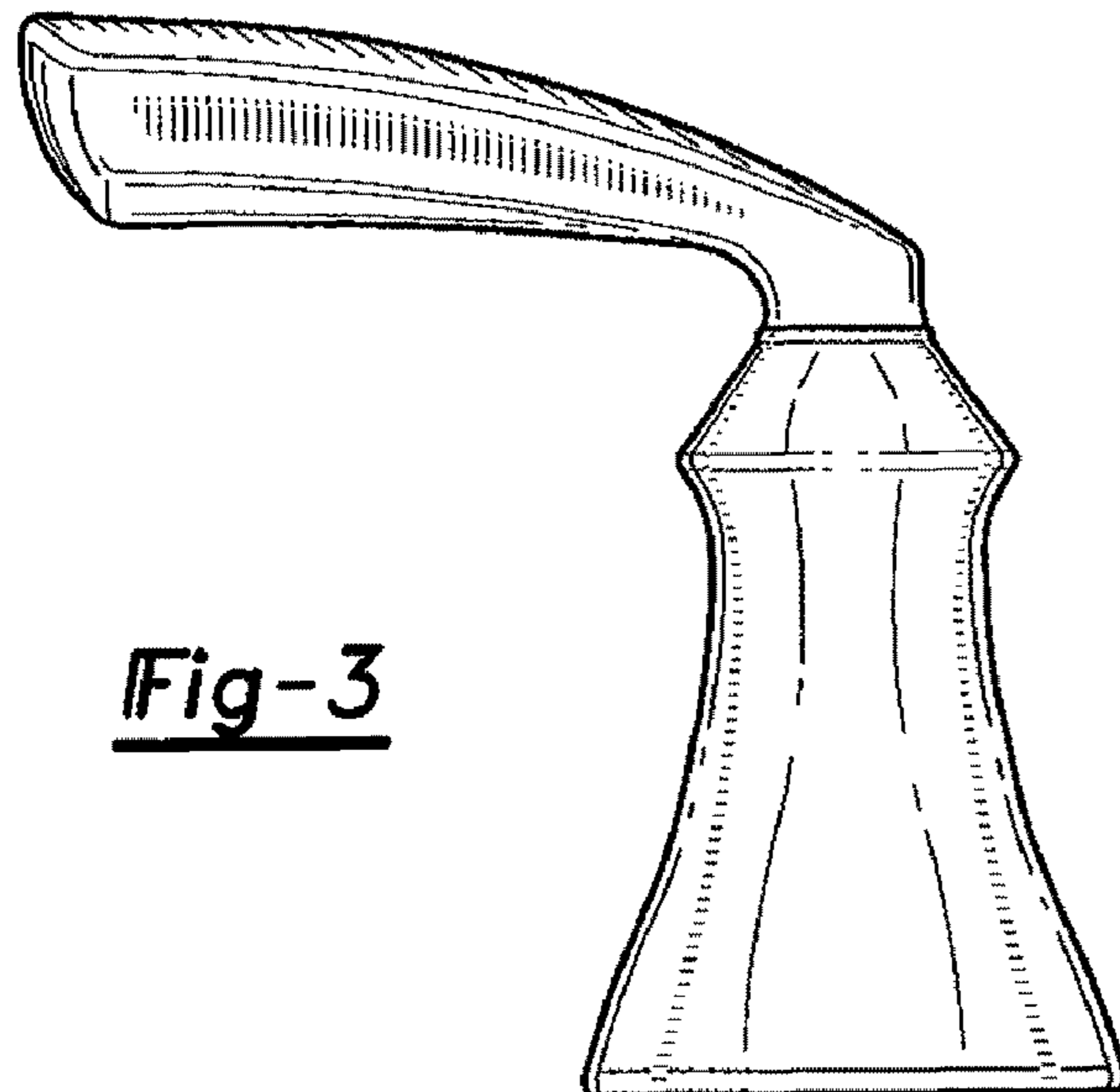


Fig-3

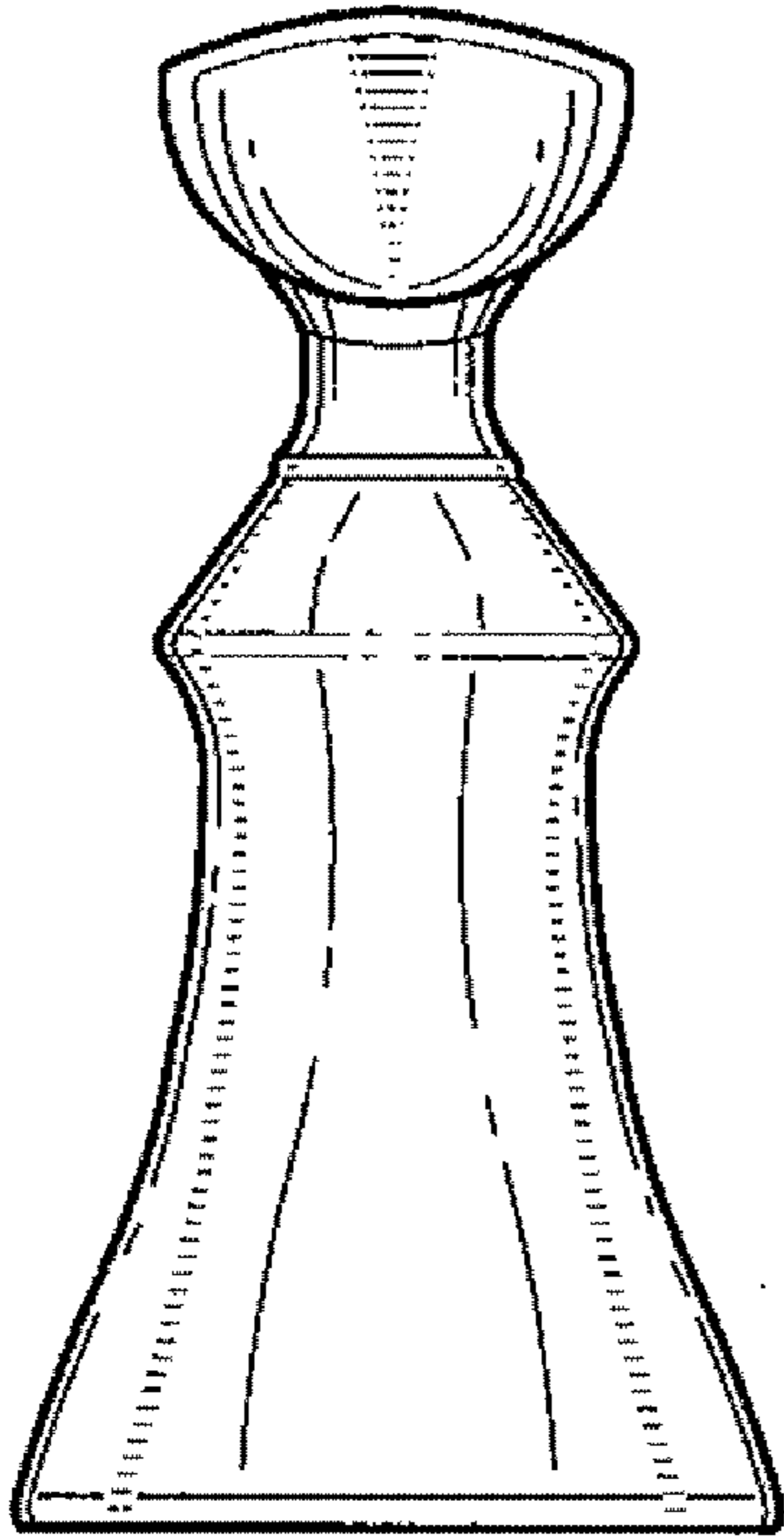


Fig-4

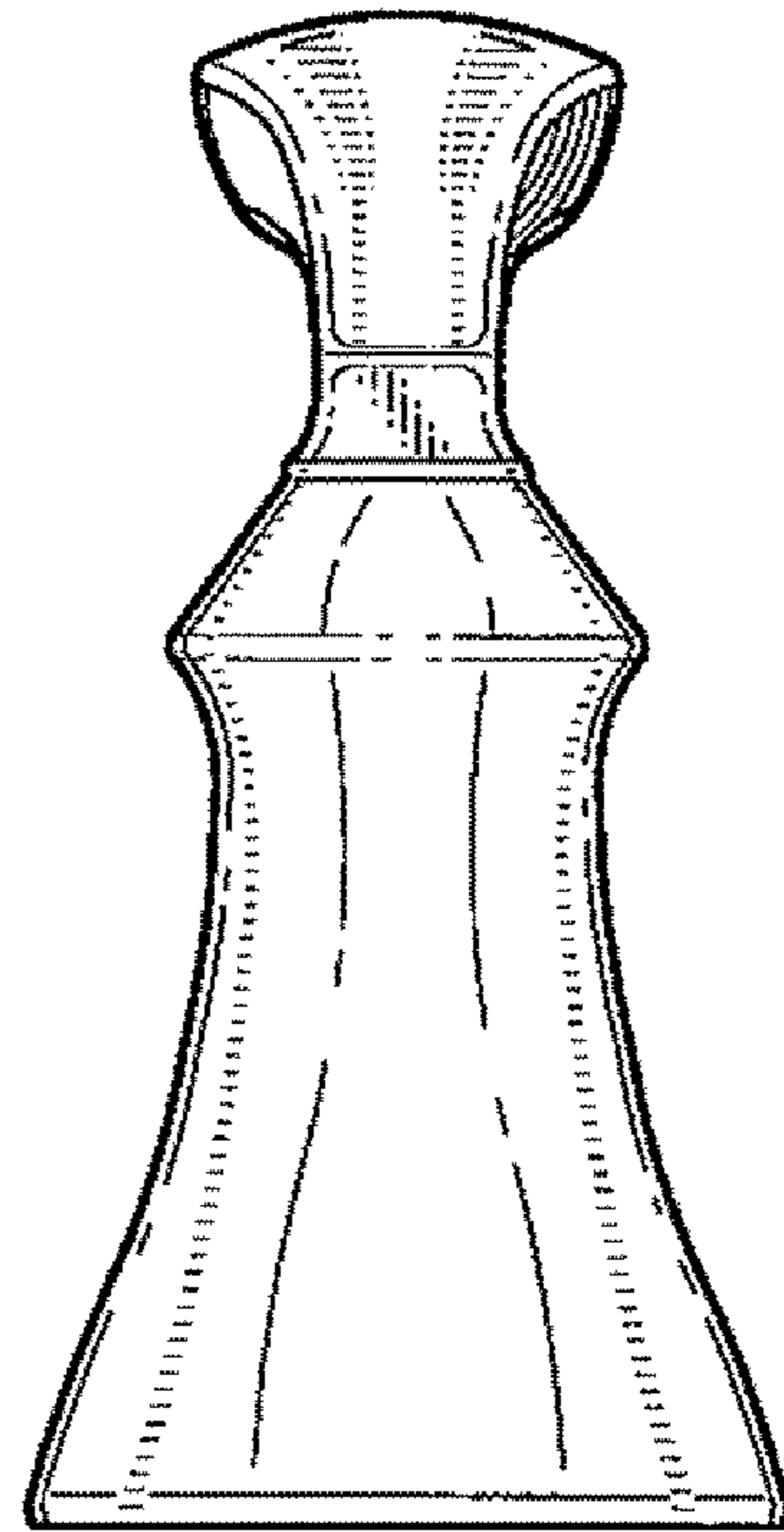


Fig-5

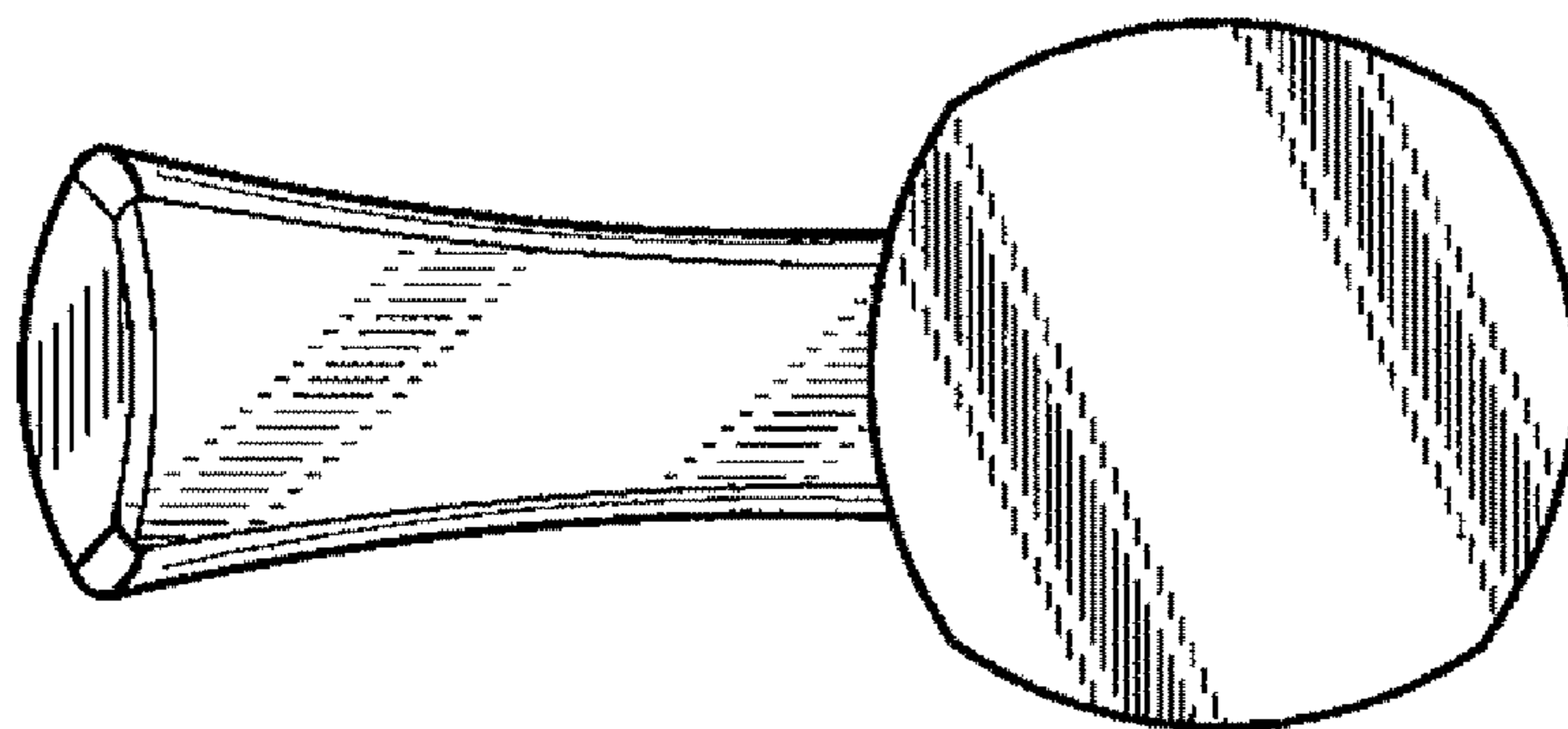


Fig-6