



US00D648829S

(12) **United States Design Patent**
Gao

(10) **Patent No.:** **US D648,829 S**

(45) **Date of Patent:** **** Nov. 15, 2011**

(54) **FAUCET HANDLE**

(75) Inventor: **Sissi Gao**, Fujian (CN)

(73) Assignee: **Newfrey LLC**, Newark, DE (US)

(**) Term: **14 Years**

(21) Appl. No.: **29/368,893**

(22) Filed: **Aug. 31, 2010**

(51) **LOC (9) Cl.** **23-01**

(52) **U.S. Cl.** **D23/252**

(58) **Field of Classification Search** D23/250,
D23/252, 254, 238-243; 4/676-677; 137/801
See application file for complete search history.

(56) **References Cited**

U.S. PATENT DOCUMENTS

D493,213 S *	7/2004	Svendsen et al.	D23/252
D587,786 S *	3/2009	Williams	D23/252
D631,137 S *	1/2011	Ke et al.	D23/252
D631,529 S *	1/2011	Ko	D23/238

* cited by examiner

Primary Examiner — Robert Delehanty

(74) *Attorney, Agent, or Firm* — Richard J. Veltman; John D. DelPonti

(57) **CLAIM**

The ornamental design for a faucet handle, as shown and described.

DESCRIPTION

FIG. 1 is a perspective view of a faucet handle showing a new design;

FIG. 2 is a front view thereof, the back view being a mirror image;

FIG. 3 is a top view thereof;

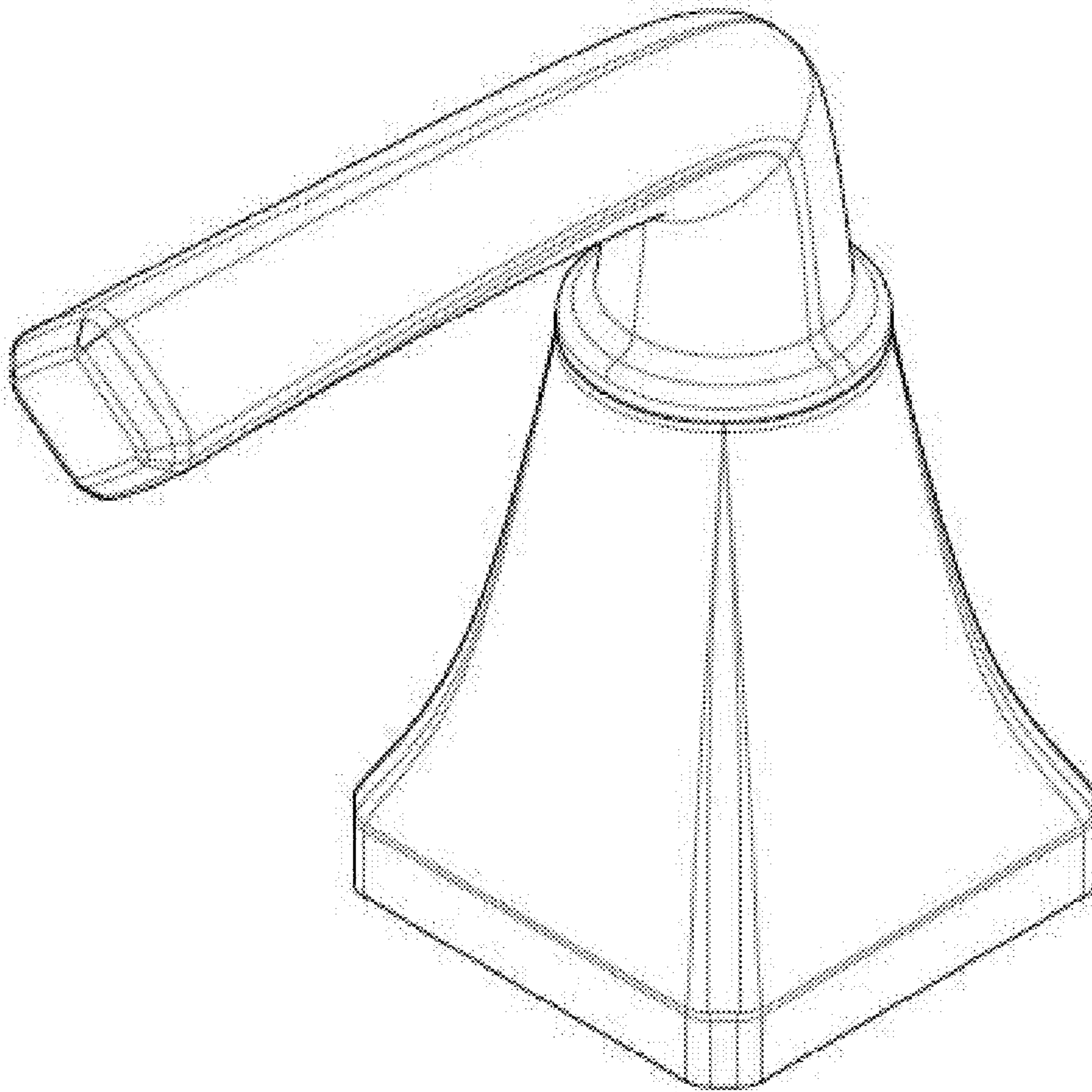
FIG. 4 is a bottom view thereof;

FIG. 5 is a left side view thereof; and,

FIG. 6 is a right side view thereof.

The broken lines in the Figures are for illustrative purposes only and form no part of the claimed design.

1 Claim, 4 Drawing Sheets



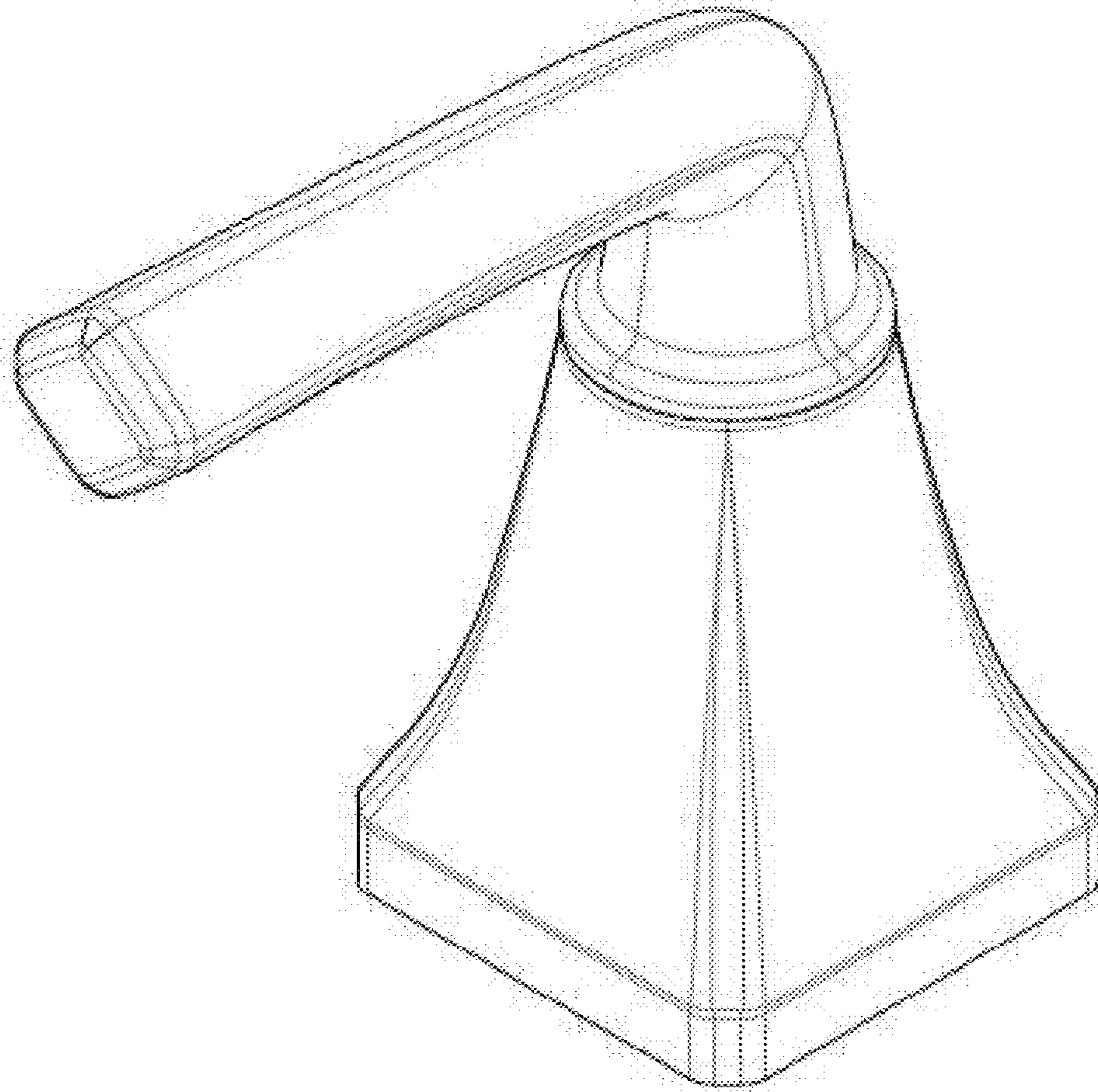


FIG. 1

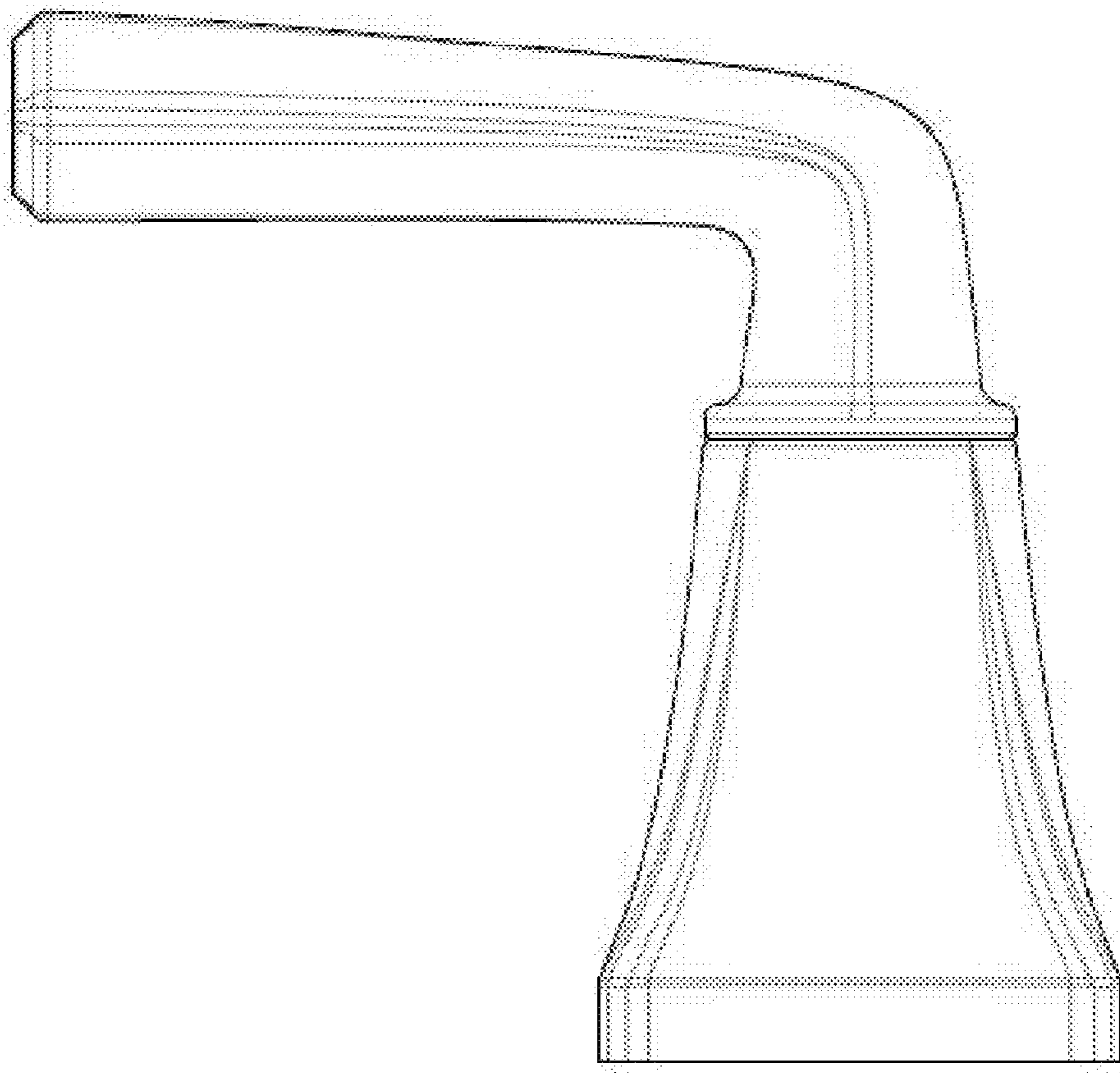


FIG. 2

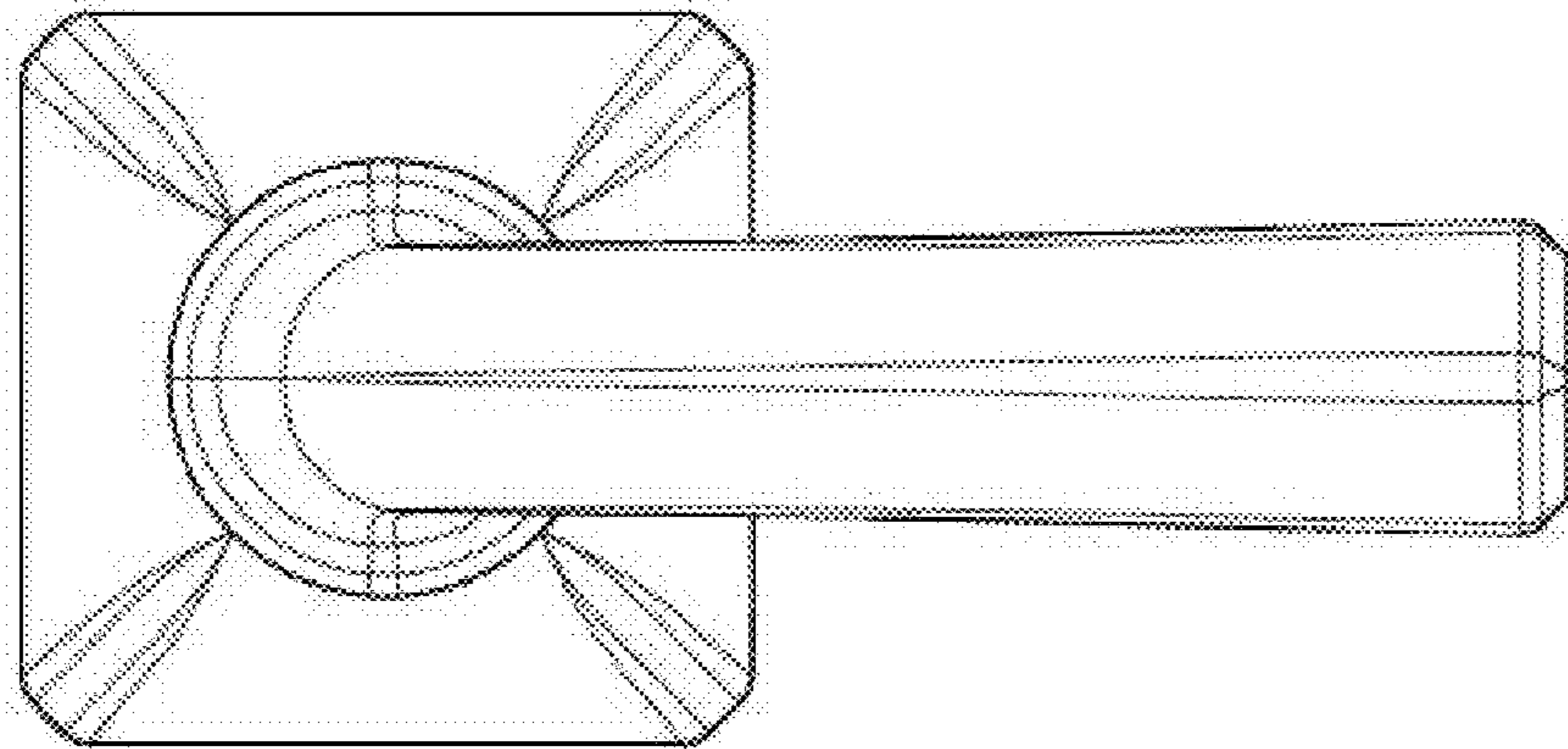


FIG. 3

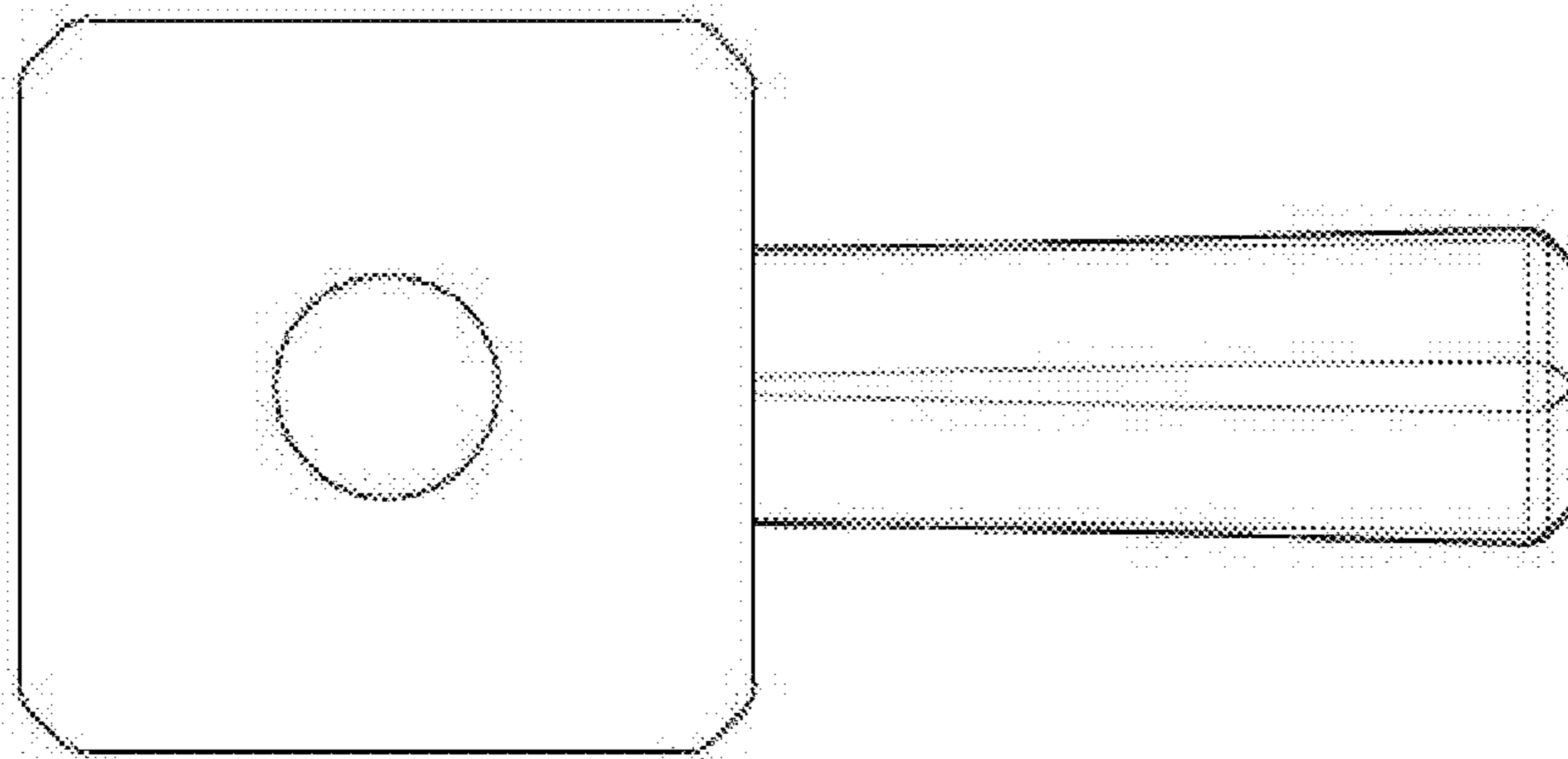


FIG. 4

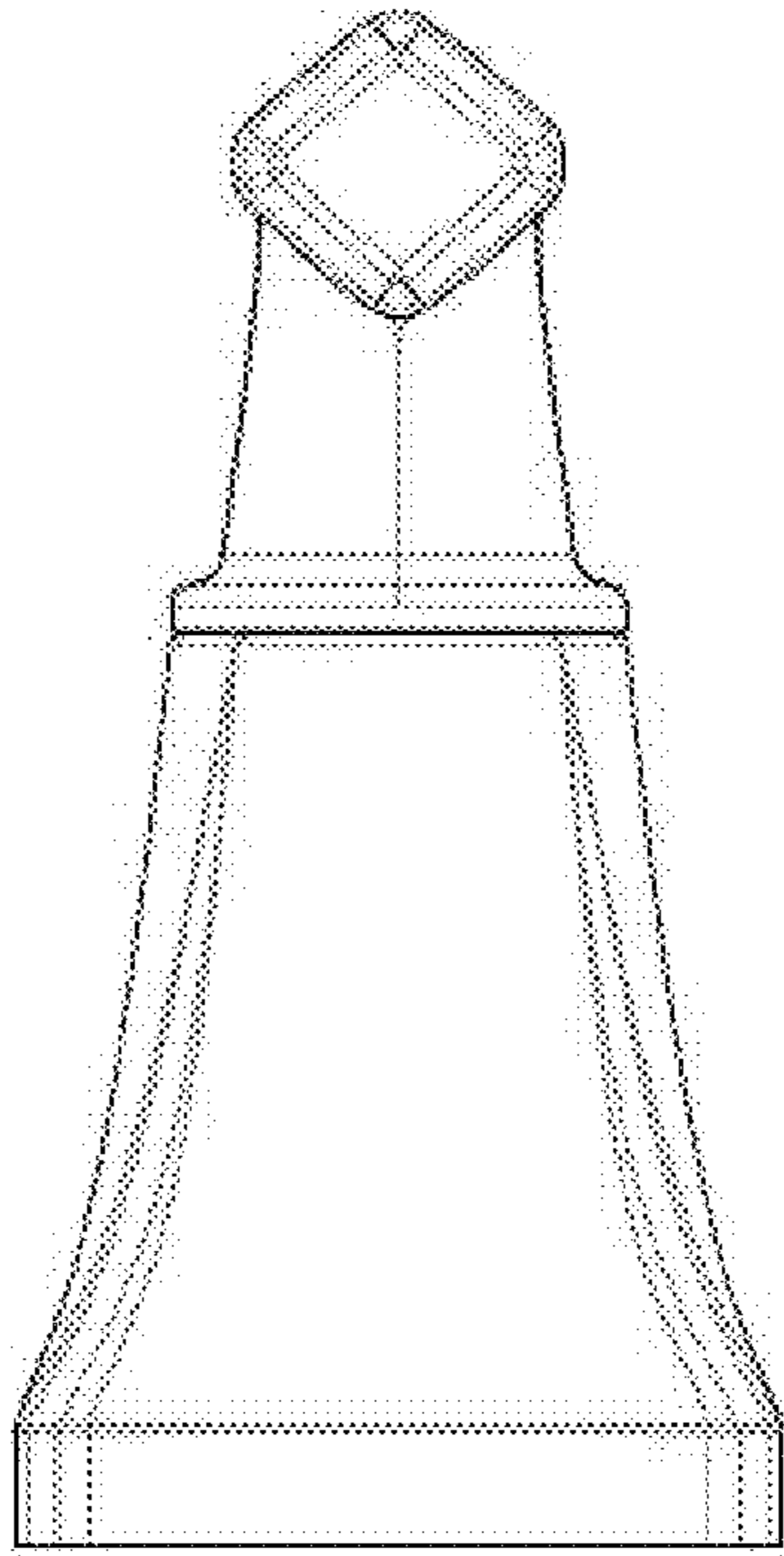


FIG. 5

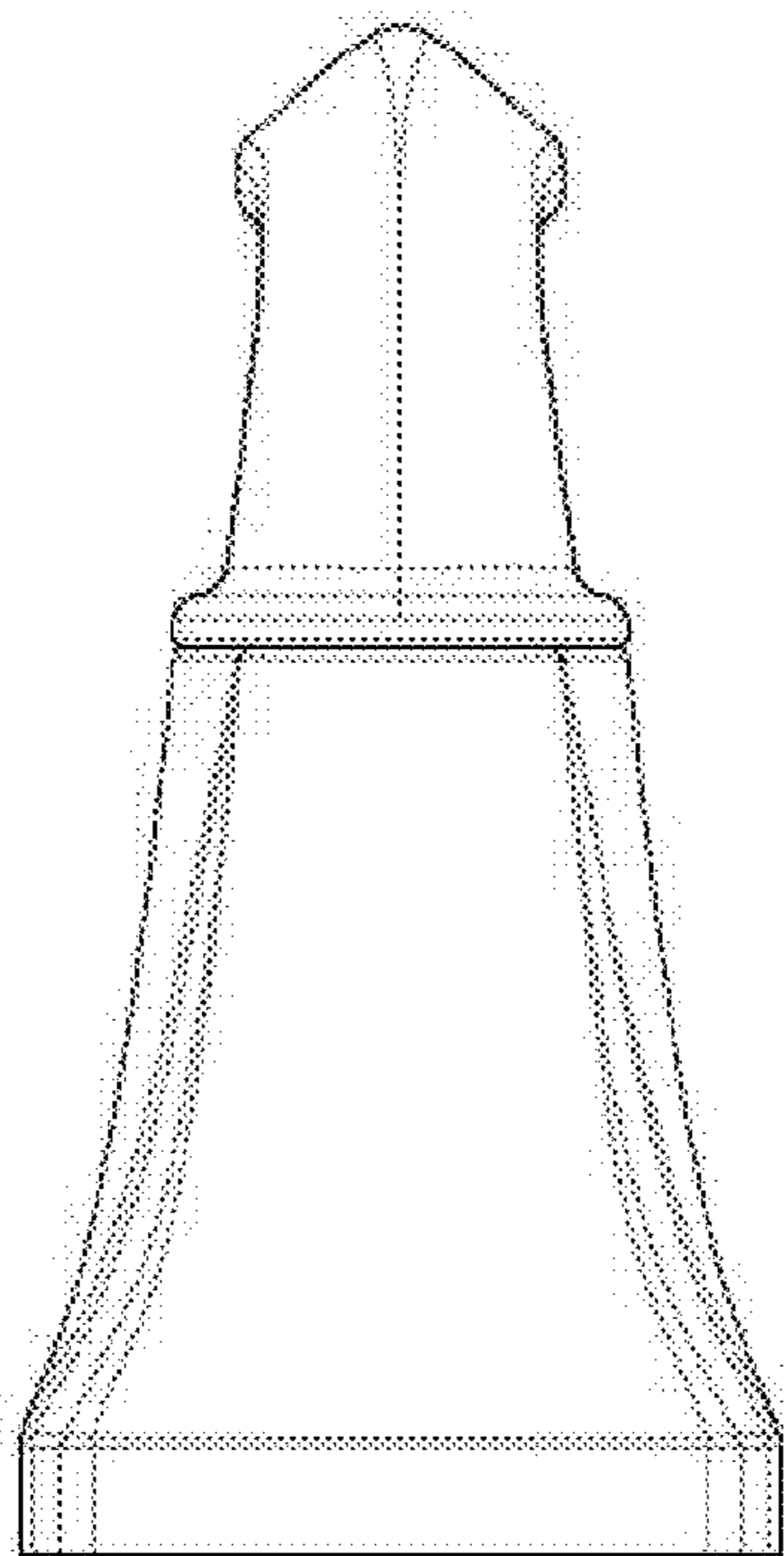


FIG. 6