



US00D648828S

(12) **United States Design Patent**  
**Meyer**

(10) **Patent No.:** **US D648,828 S**

(45) **Date of Patent:** **\*\* Nov. 15, 2011**

(54) **FAUCET HANDLE**

(75) Inventor: **Marcus Meyer**, Mission Viejo, CA (US)

(73) Assignee: **Newfrey LLC**, Newark, DE (US)

(\*\*) Term: **14 Years**

(21) Appl. No.: **29/368,888**

(22) Filed: **Aug. 31, 2010**

(51) **LOC (9) Cl.** ..... **23-01**

(52) **U.S. Cl.** ..... **D23/252; D23/254**

(58) **Field of Classification Search** ..... D23/250,  
D23/252, 254, 238-243; 4/676-677; 137/801,  
137/359; D8/350-353

See application file for complete search history.

(56) **References Cited**

**U.S. PATENT DOCUMENTS**

D522,634 S \* 6/2006 Hoernig ..... D23/252

D627,446 S \* 11/2010 Yokoyama et al. .... D23/254  
\* cited by examiner

*Primary Examiner* — Robert Delehanty

(74) *Attorney, Agent, or Firm* — Richard J. Veltman; John D. DelPonti

(57) **CLAIM**

The ornamental design for a faucet handle, as shown and described.

**DESCRIPTION**

FIG. 1 is a perspective view of a faucet handle showing a new design;

FIG. 2 is a front view thereof, the back view being a mirror image;

FIG. 3 is a top view thereof;

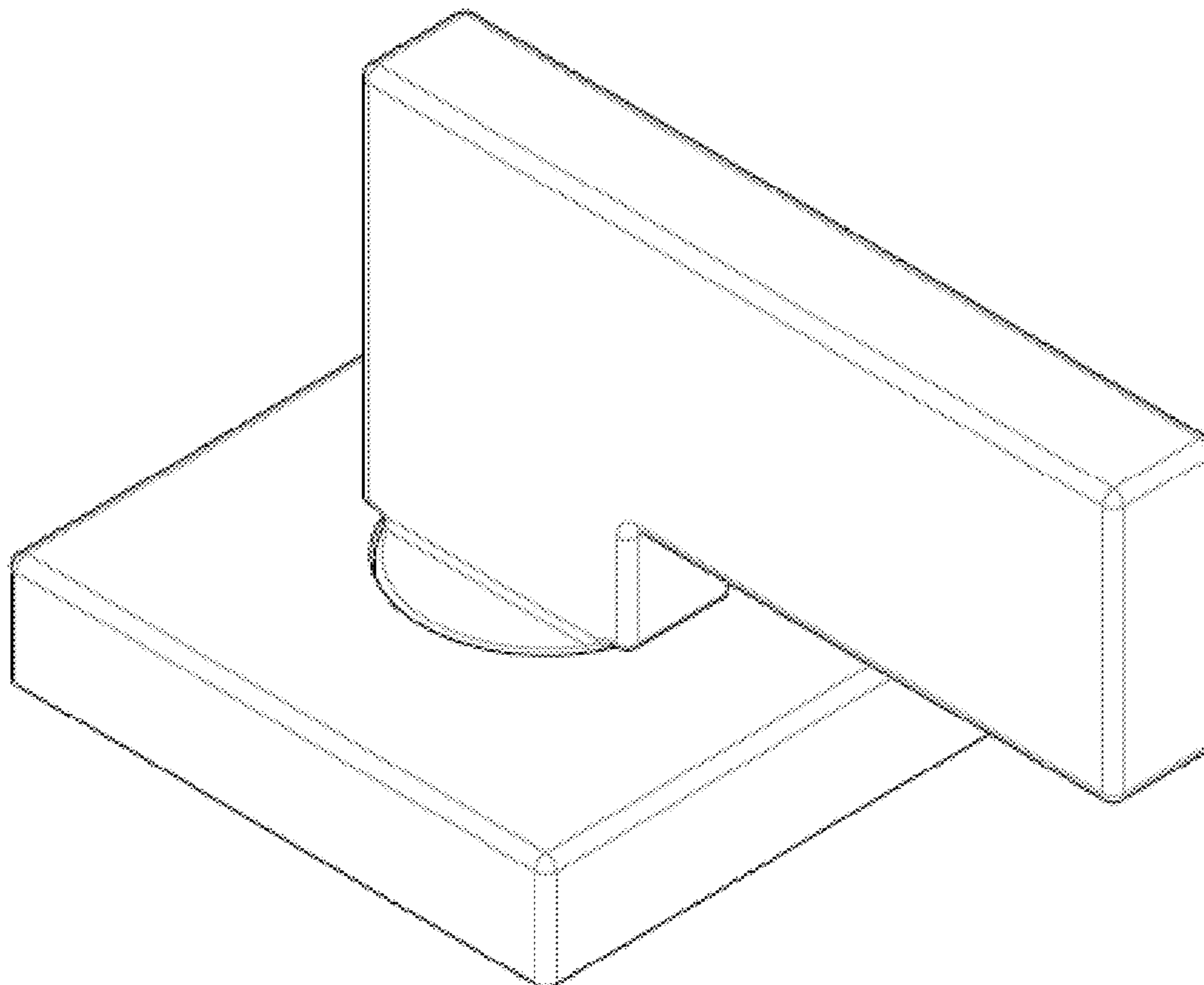
FIG. 4 is a bottom view thereof;

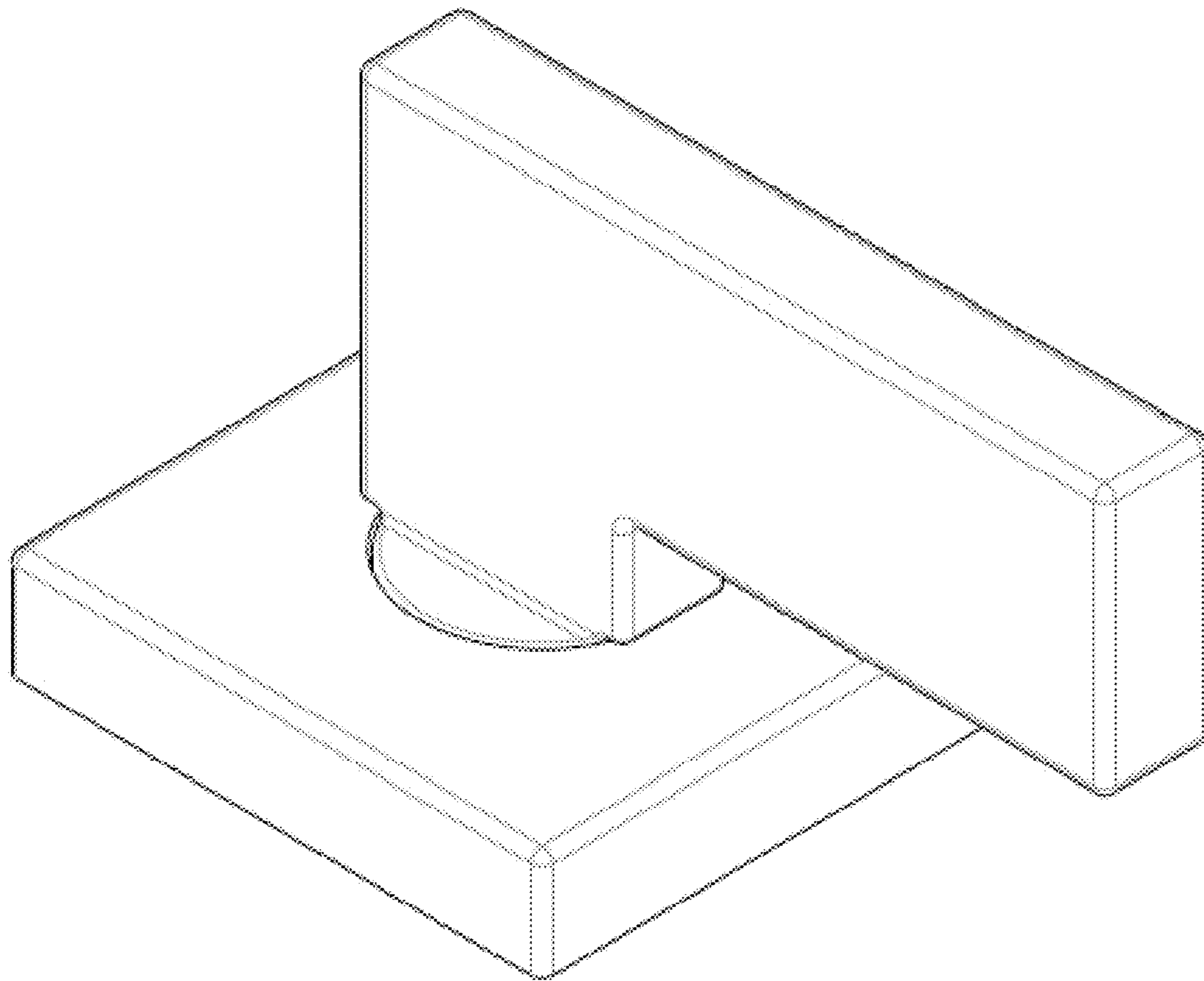
FIG. 5 is a left side view thereof; and,

FIG. 6 is a right side view thereof.

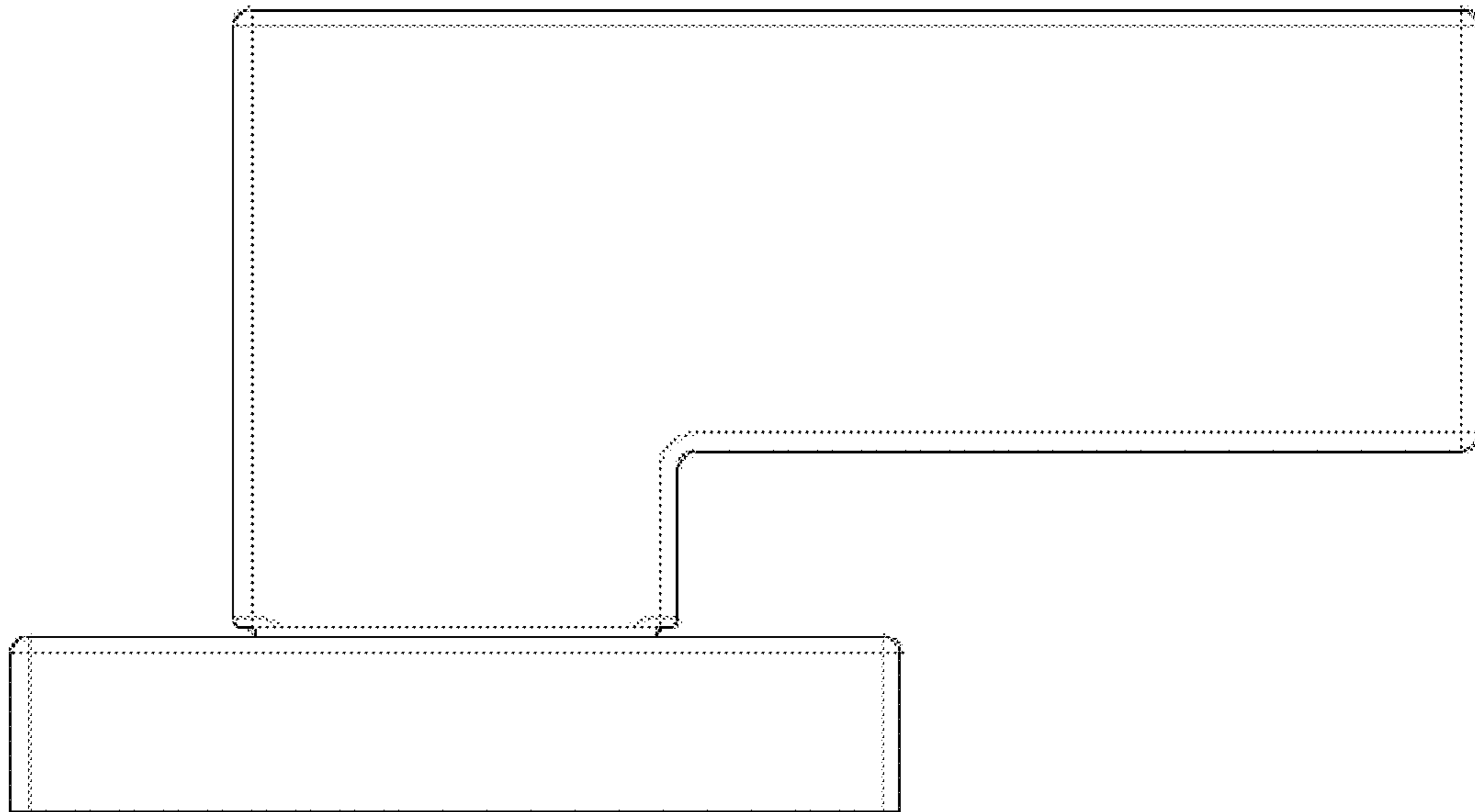
The broken lines in the Figures are for illustrative purposes only and form no part of the claimed design.

**1 Claim, 4 Drawing Sheets**

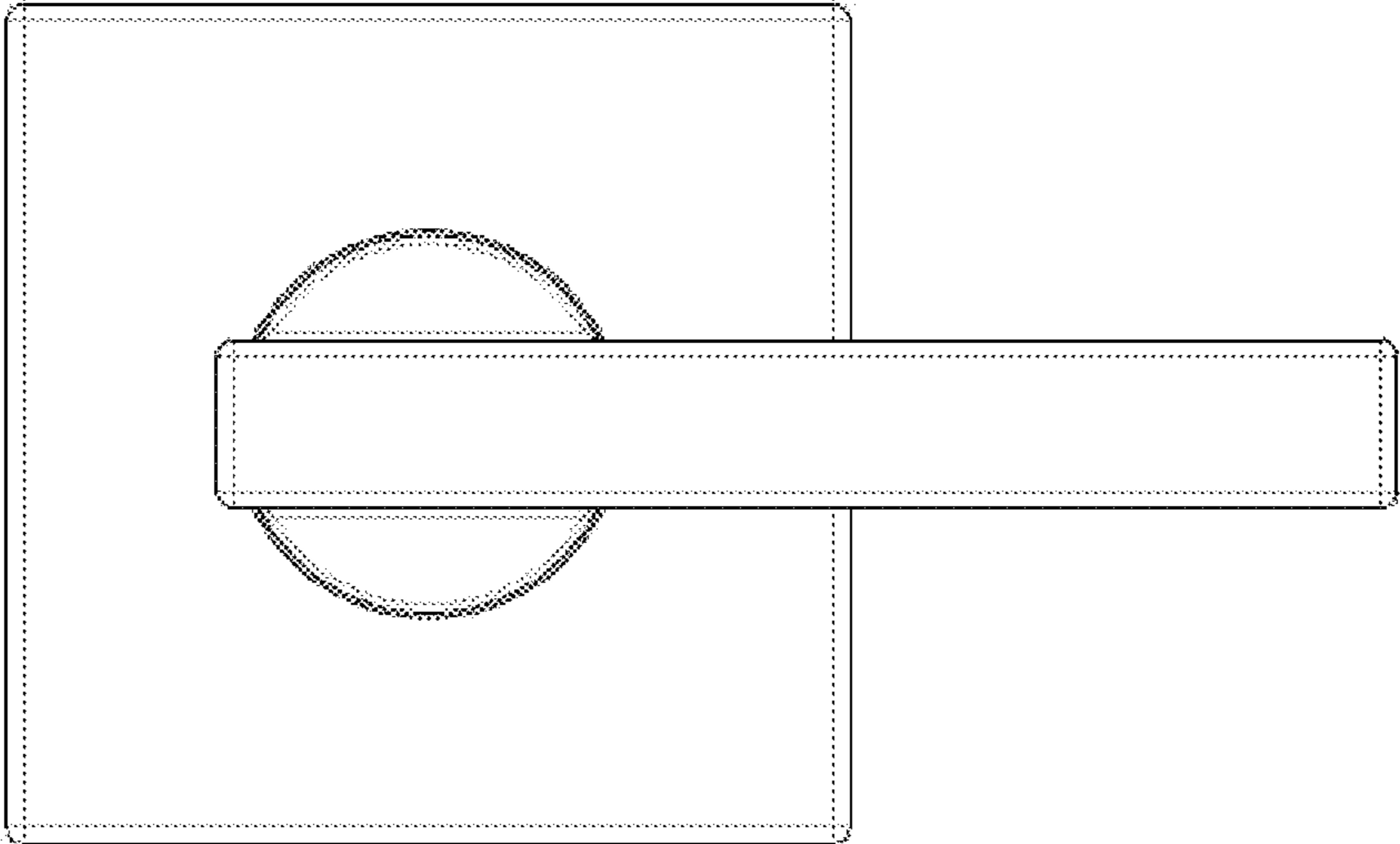




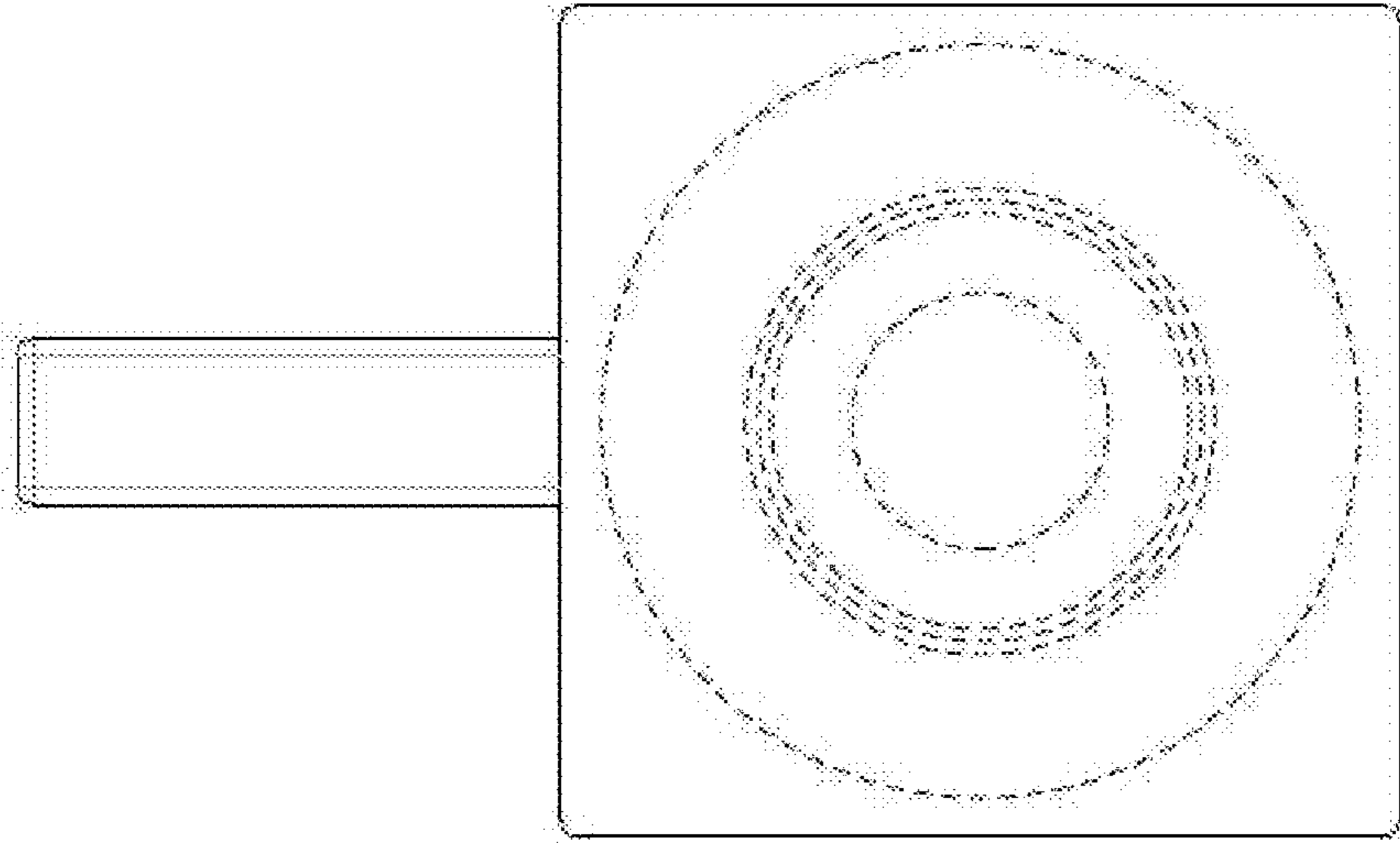
**FIG. 1**



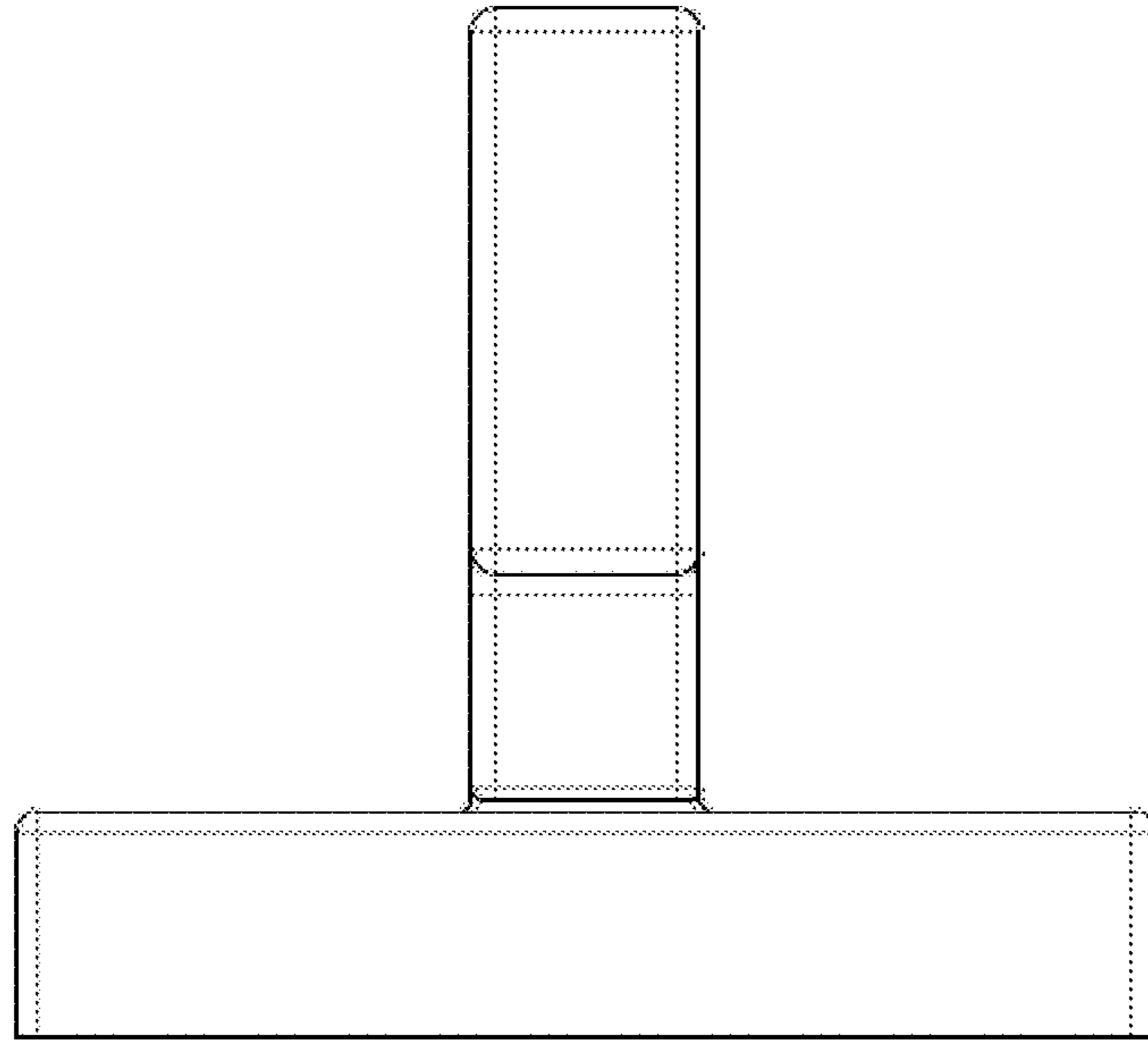
**FIG. 2**



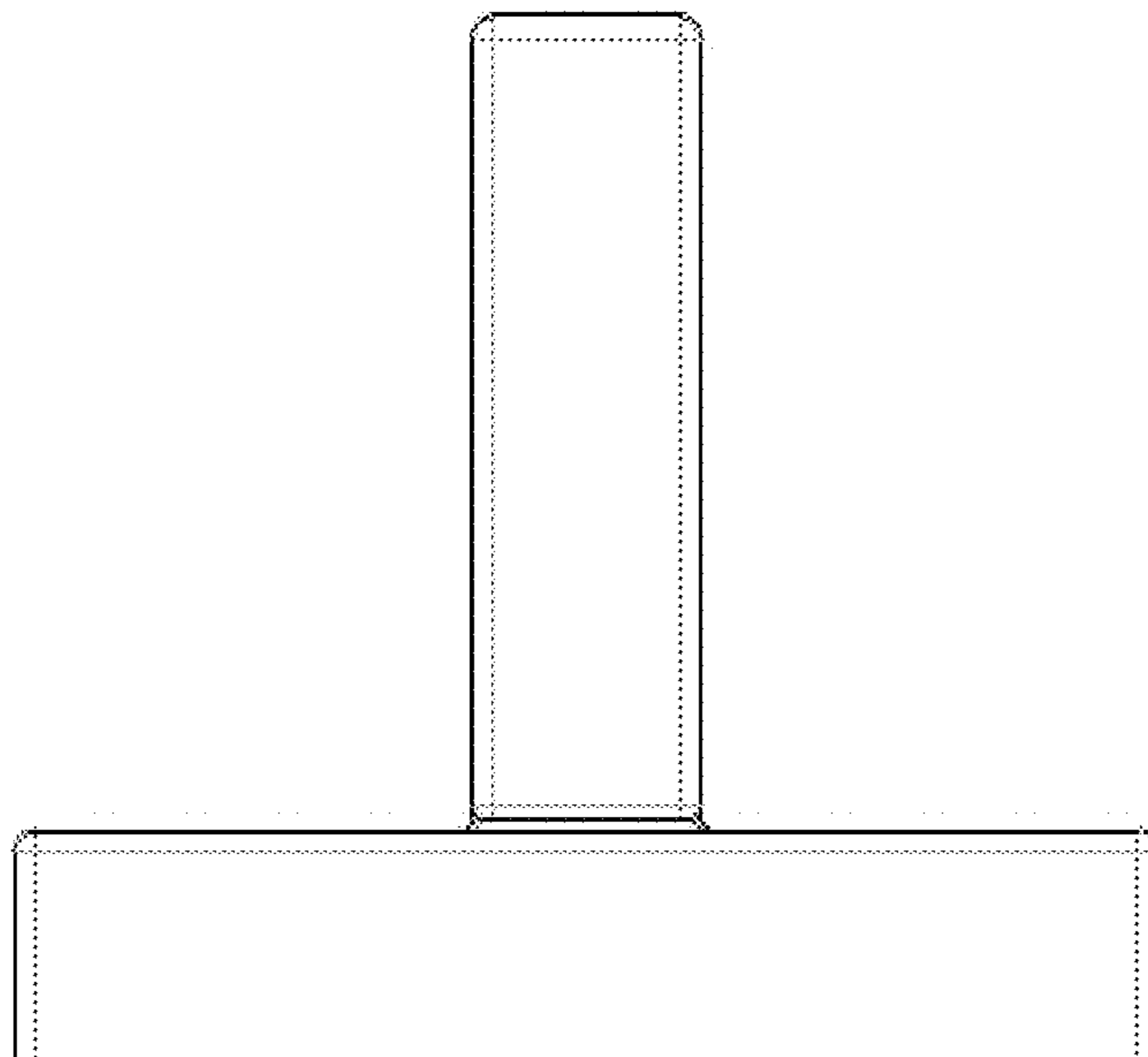
**FIG. 3**



**FIG. 4**



**FIG. 5**



**FIG. 6**