



US00D648827S

(12) **United States Design Patent**  
**Ke et al.**

(10) **Patent No.:** **US D648,827 S**

(45) **Date of Patent:** **\*\* Nov. 15, 2011**

(54) **DECKPLATE**

(75) Inventors: **Selia Ke**, Fujian Province (CN); **Aaron Hanna**, Corona, CA (US); **Hedy Lin**, Fujian Province (CN)

(73) Assignee: **Newfrey LLC**, Newark, DE (US)

(\*\*) Term: **14 Years**

(21) Appl. No.: **29/365,329**

(22) Filed: **Jul. 8, 2010**

(51) **LOC (9) Cl.** ..... **23-01**

(52) **U.S. Cl.** ..... **D23/249**

(58) **Field of Classification Search** ..... D23/249,  
D23/238, 241–242, 255, 257, 259–269; 4/675–678;  
137/801

See application file for complete search history.

(56) **References Cited**

**U.S. PATENT DOCUMENTS**

D374,709	S *	10/1996	Doughty et al.	.....	D23/249
D383,194	S *	9/1997	Doughty et al.	.....	D23/249
D412,740	S *	8/1999	Pitsch	.....	D23/241
D413,652	S *	9/1999	Ko	.....	D23/242
D417,908	S *	12/1999	Warshawsky et al.	.....	D23/241
D426,874	S *	6/2000	Warshawsky et al.	.....	D23/308
D437,031	S *	1/2001	Nguyen et al.	.....	D23/238
6,267,136	B1 *	7/2001	Johnson	.....	137/356
D478,154	S *	8/2003	Ouyoung	.....	D23/249
D509,566	S *	9/2005	Yegyayan	.....	D23/249
D516,181	S *	2/2006	Kennard	.....	D23/249
D516,682	S *	3/2006	Kennard	.....	D23/249
D521,114	S *	5/2006	Kennard	.....	D23/249
D523,113	S *	6/2006	Koury et al.	.....	D23/249
7,055,545	B2 *	6/2006	Mascari et al.	.....	137/359
D527,078	S *	8/2006	Kosasih	.....	D23/249

D529,137	S *	9/2006	Chu et al.	.....	D23/241
7,150,293	B2 *	12/2006	Jonte	.....	137/613
D535,725	S *	1/2007	Chu et al.	.....	D23/241
D565,704	S *	4/2008	Yang	.....	D23/249
7,404,413	B2 *	7/2008	Chang	.....	137/606
7,624,757	B2 *	12/2009	Schmitt	.....	137/606
D640,773	S *	6/2011	Ke et al.	.....	D23/255
2002/0185182	A1 *	12/2002	Wang	.....	137/801
2007/0261748	A1 *	11/2007	Yin	.....	137/801
2008/0289709	A1 *	11/2008	Pinette	.....	137/801
2009/0276954	A1 *	11/2009	Davidson	.....	4/695
2010/0155505	A1 *	6/2010	Lopp et al.	.....	239/428.5
2010/0252115	A1 *	10/2010	Bassols	.....	137/1
2011/0079307	A1 *	4/2011	Marty et al.	.....	137/801

\* cited by examiner

*Primary Examiner* — T. Chase Nelson

*Assistant Examiner* — Eric Goodman

(74) *Attorney, Agent, or Firm* — Richard J. Veltham; John D. DelPonti

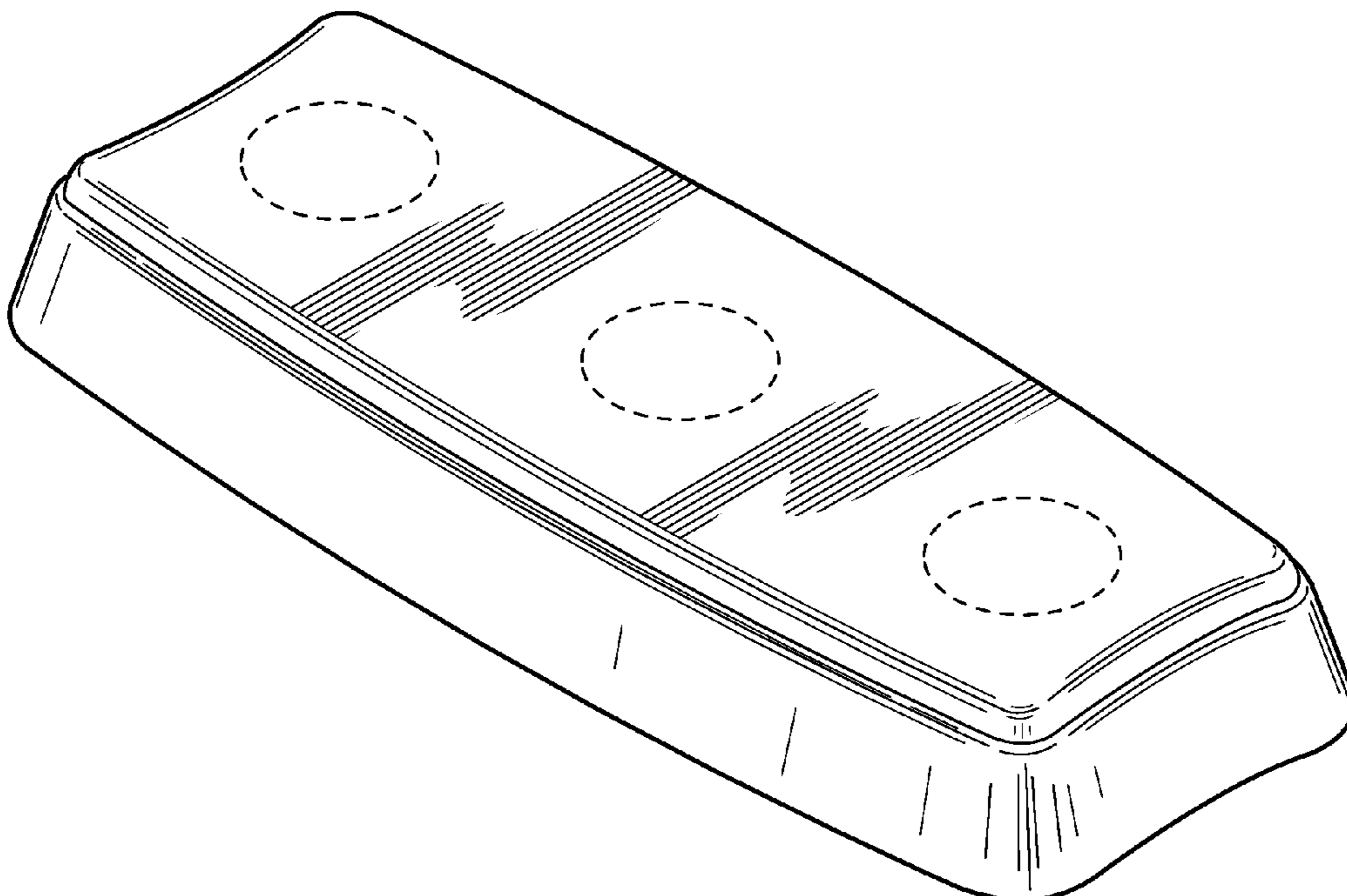
(57) **CLAIM**

The ornamental design for a deckplate, as shown and described.

**DESCRIPTION**

FIG. 1 is a perspective view of a deckplate showing a new design;  
FIG. 2 is a front view thereof; the back view being a mirror image;  
FIG. 3 is a right side view thereof; the left side view being a mirror image;  
FIG. 4 is a top view thereof; and,  
FIG. 5 is a bottom view thereof.  
The broken lines in the Figures are for illustrative purposes only and form no part of the claimed design.

**1 Claim, 5 Drawing Sheets**



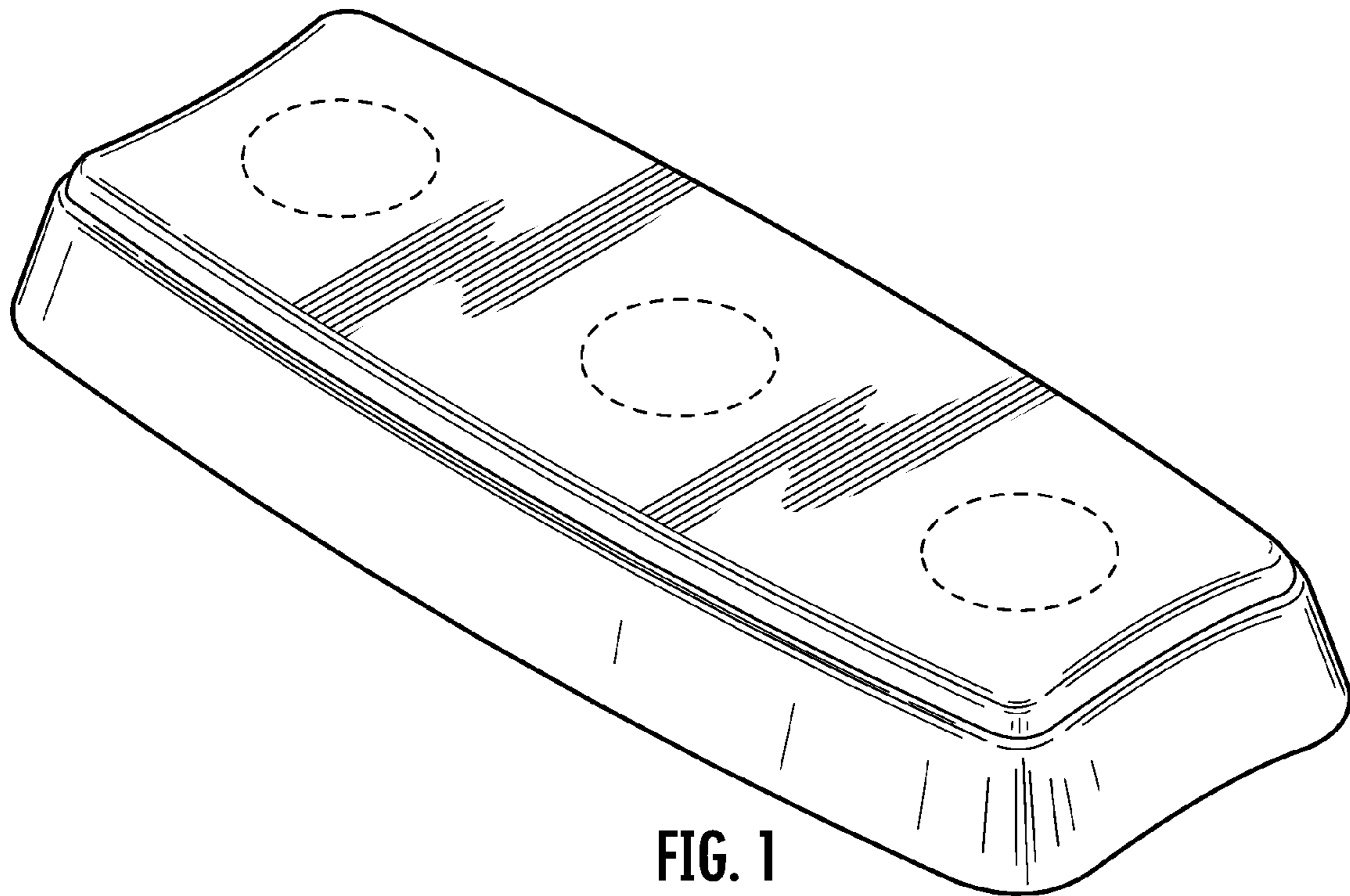


FIG. 1

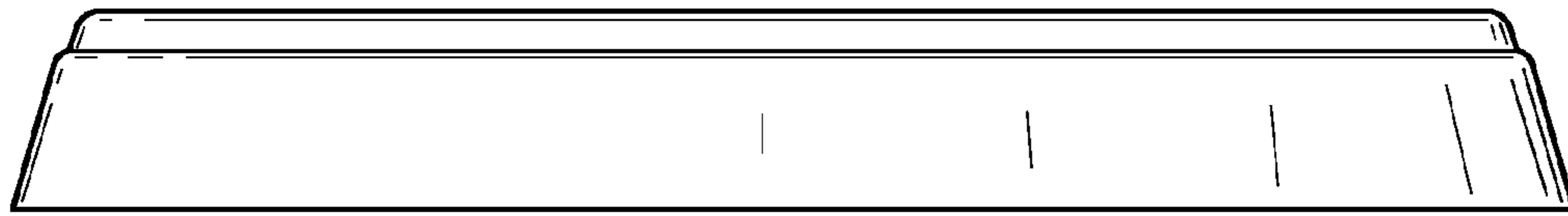
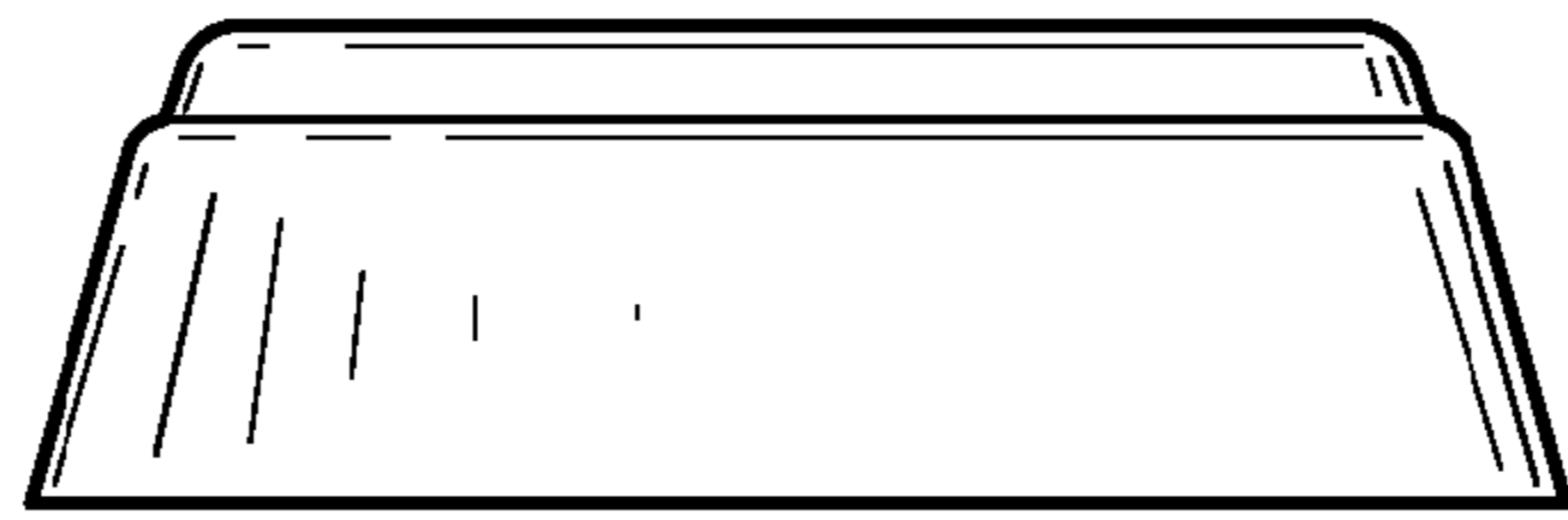


FIG. 2



**FIG. 3**

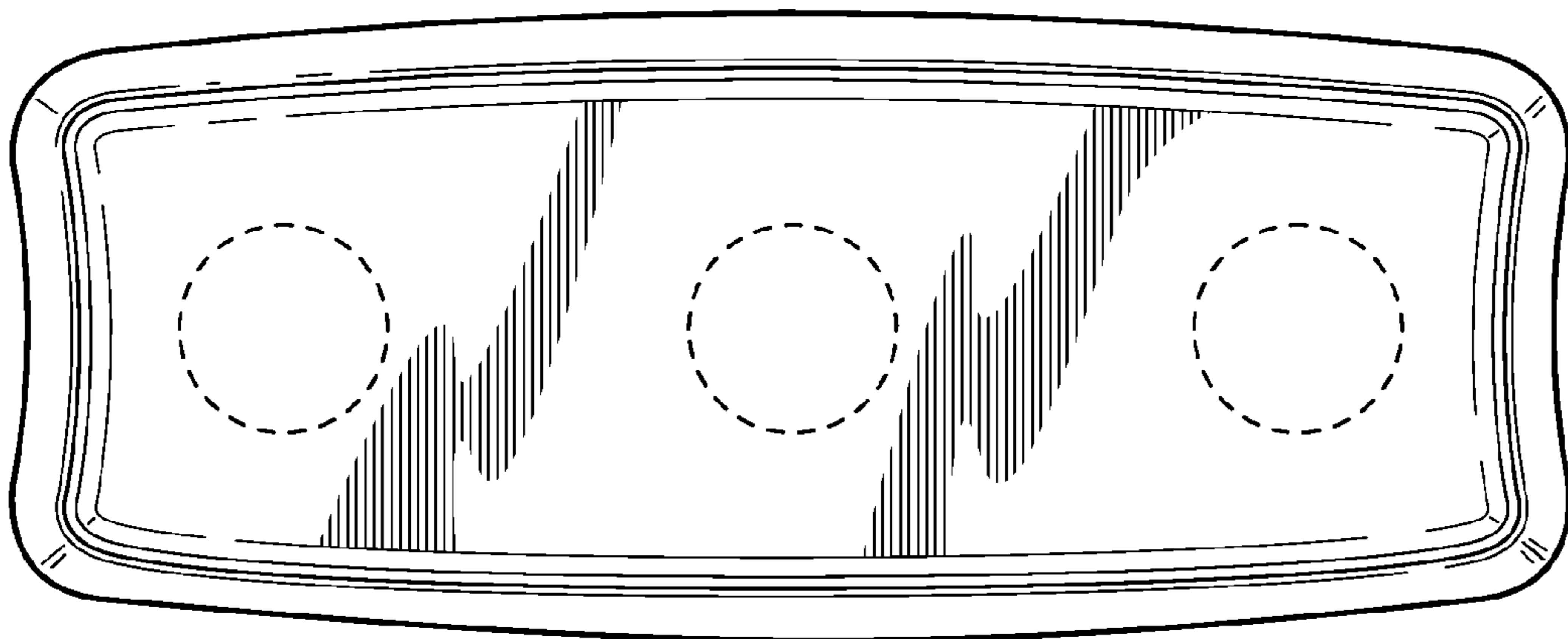


FIG. 4

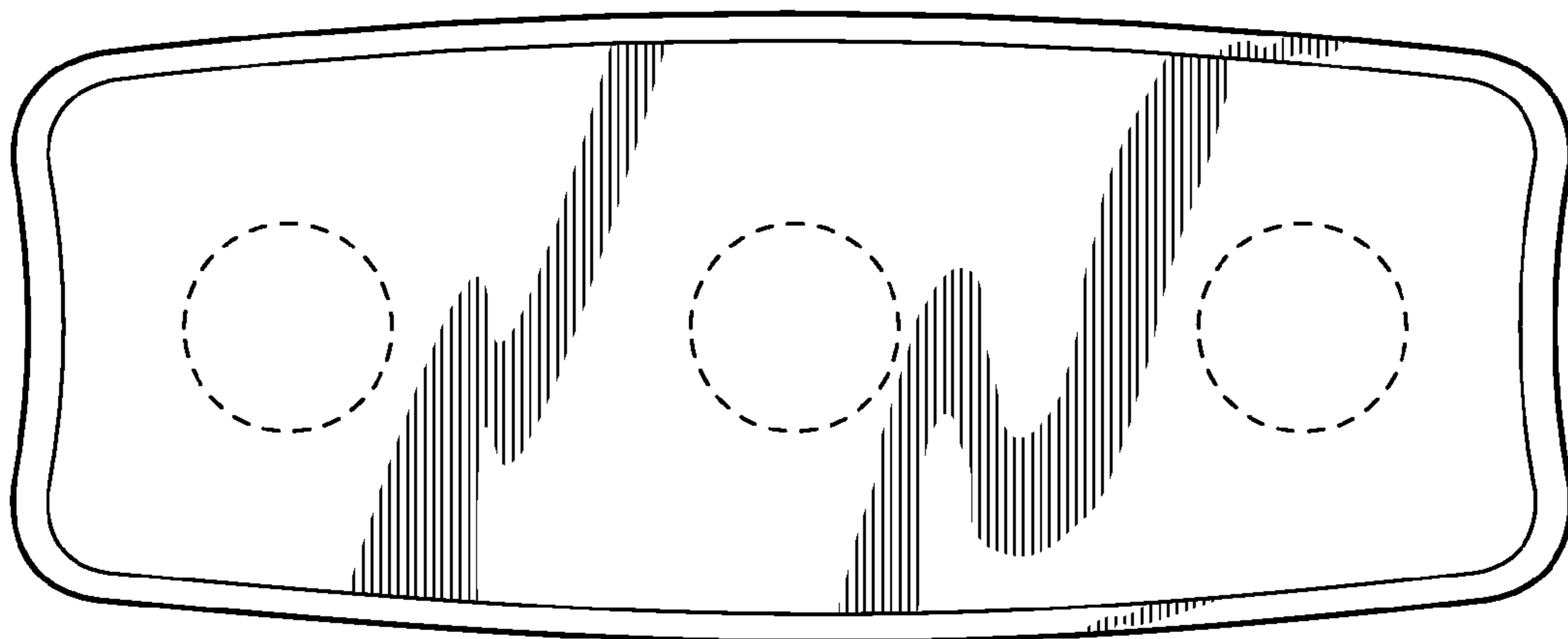


FIG. 5