



US00D648825S

(12) **United States Design Patent**
Ando et al.

(10) **Patent No.:** **US D648,825 S**

(45) **Date of Patent:** **** Nov. 15, 2011**

(54) **FAUCET WITH SHOWER HEAD**

(75) Inventors: **Yoshihiko Ando**, Tokyo (JP); **Mikiya Kobayashi**, Tokyo (JP)

(73) Assignee: **Lixil Corporation**, Tokyo (JP)

(**) Term: **14 Years**

(21) Appl. No.: **29/383,120**

(22) Filed: **Jan. 12, 2011**

(30) **Foreign Application Priority Data**

Jul. 14, 2010 (JP) D2010-017150

(51) **LOC (9) Cl.** **23-01**

(52) **U.S. Cl.** **D23/228; D23/304**

(58) **Field of Classification Search** D23/213,
D23/228, 304; 4/596-597, 600, 605, 552
See application file for complete search history.

(56) **References Cited**

U.S. PATENT DOCUMENTS

D492,980 S * 7/2004 Citterio D23/238
7,043,776 B1 * 5/2006 Wu 4/601
D527,792 S * 9/2006 Hoernig D23/228

D564,625 S * 3/2008 Bickler et al. D23/228
D612,453 S * 3/2010 Schoenherr et al. D23/228
7,748,649 B2 * 7/2010 Fujii et al. 239/548
D638,520 S * 5/2011 Matsuura et al. D23/228

* cited by examiner

Primary Examiner — Robin V Webster

(74) *Attorney, Agent, or Firm* — Hamre, Schumann, Mueller & Larson, P.C.

(57) **CLAIM**

The ornamental design for a faucet with shower head, as shown and described.

DESCRIPTION

FIG. 1 is a perspective view of front, right and top plan side of a faucet with shower head showing our new design;

FIG. 2 is a front view thereof;

FIG. 3 is a rear view thereof;

FIG. 4 is a top plan view thereof;

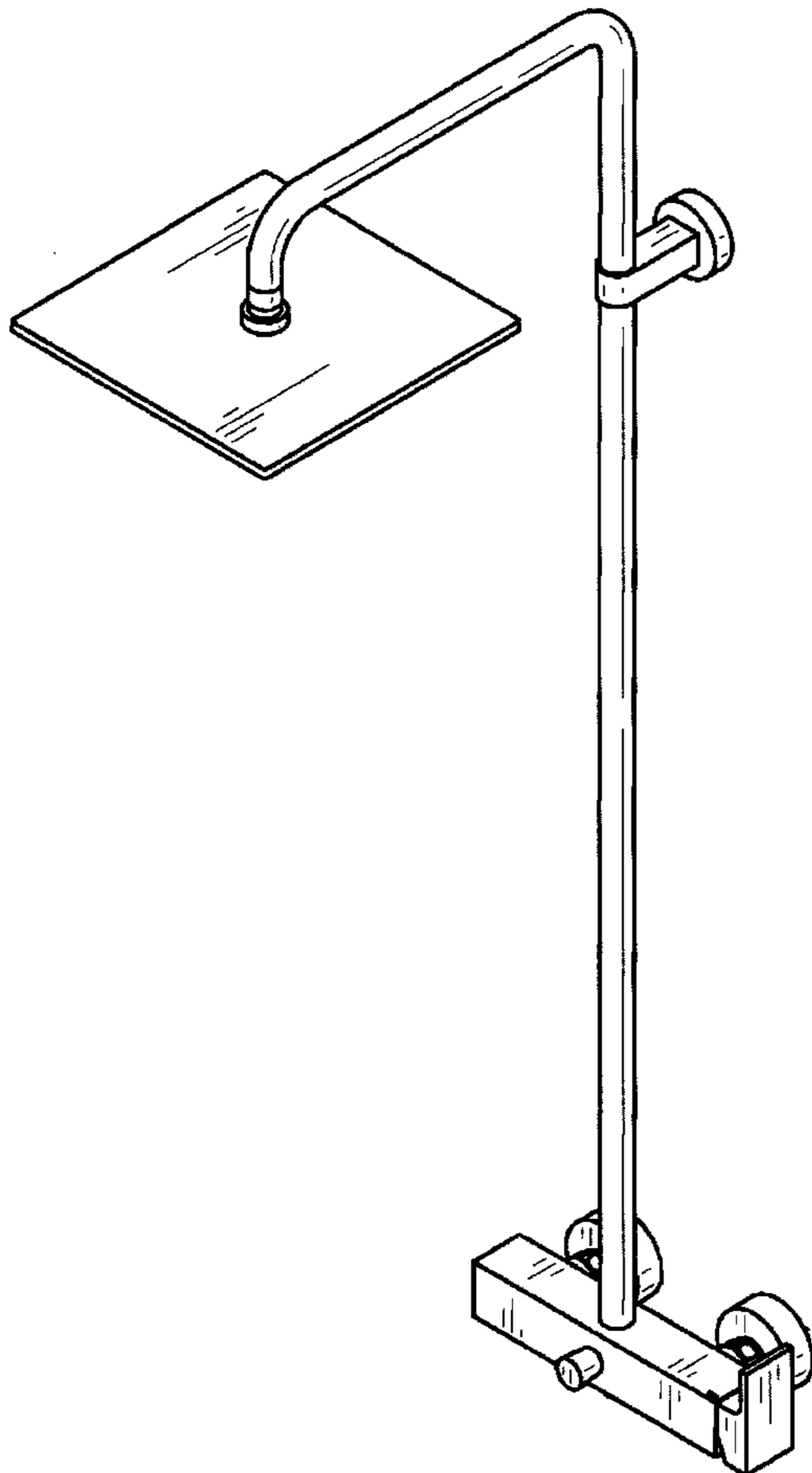
FIG. 5 is a bottom view thereof;

FIG. 6 is a left side view thereof; and,

FIG. 7 is a right side view thereof.

The portions of the article in broken lines are shown for illustrative purposes only and form no part of the claimed design.

1 Claim, 5 Drawing Sheets



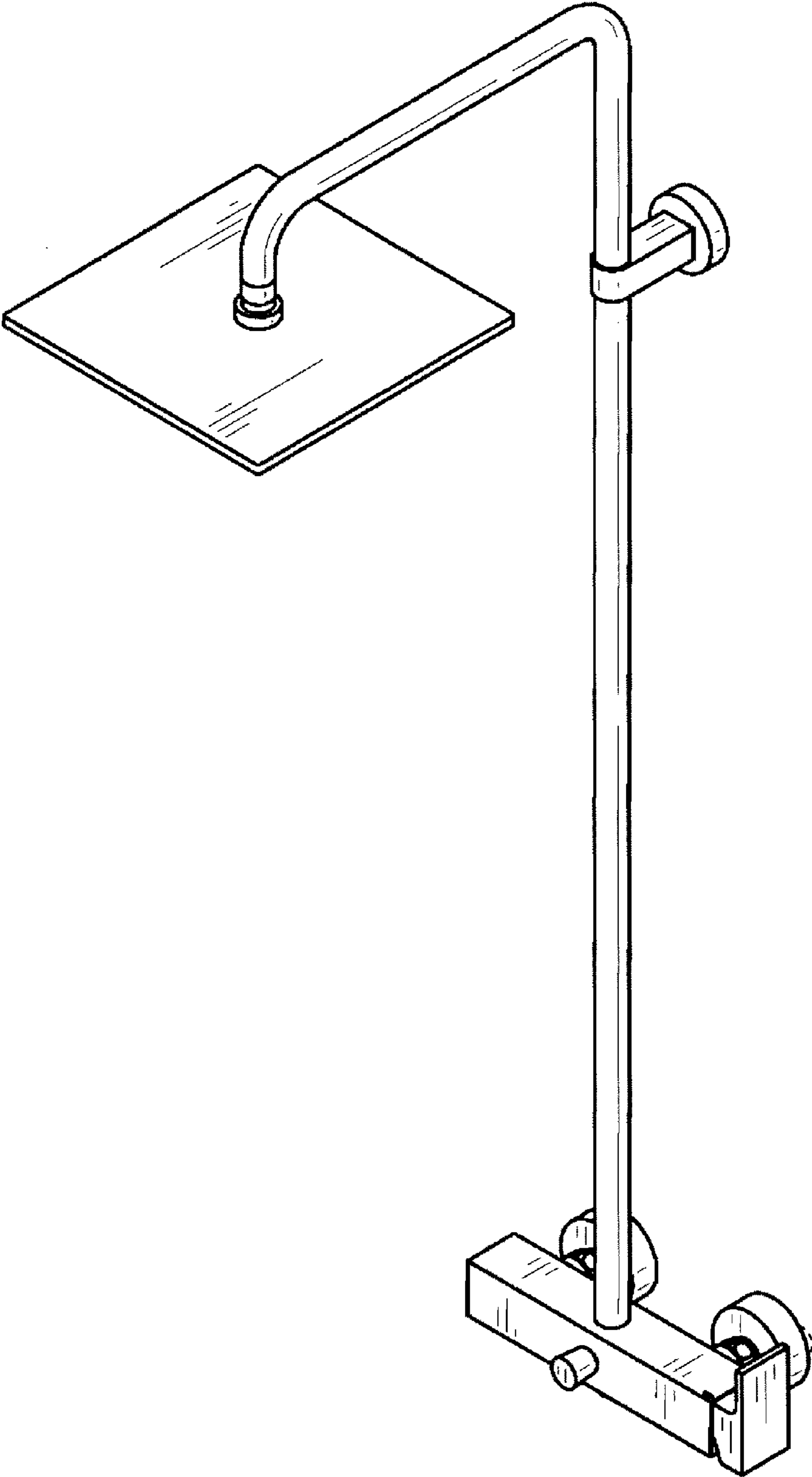


FIG. 1

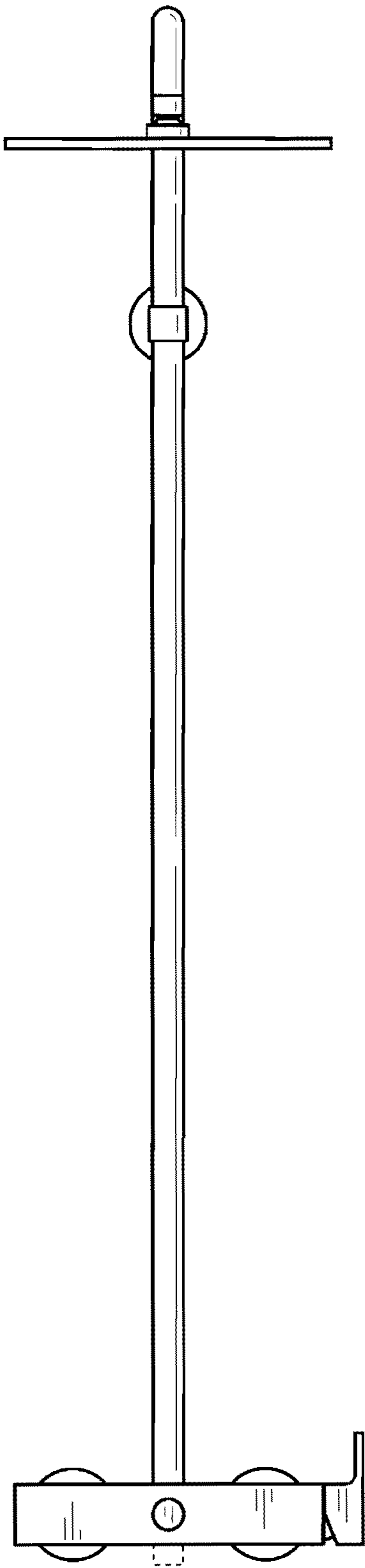


FIG. 2

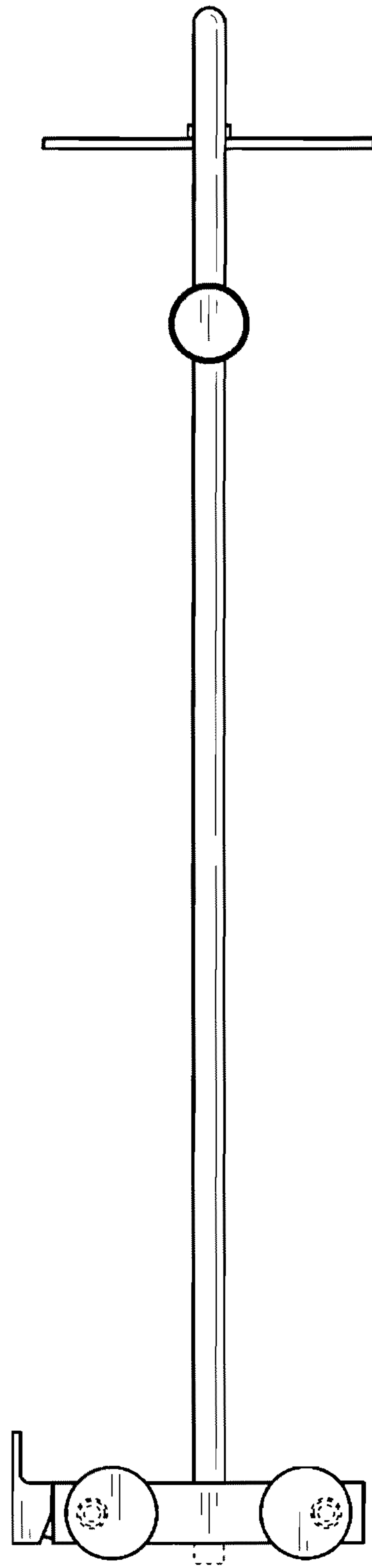


FIG. 3

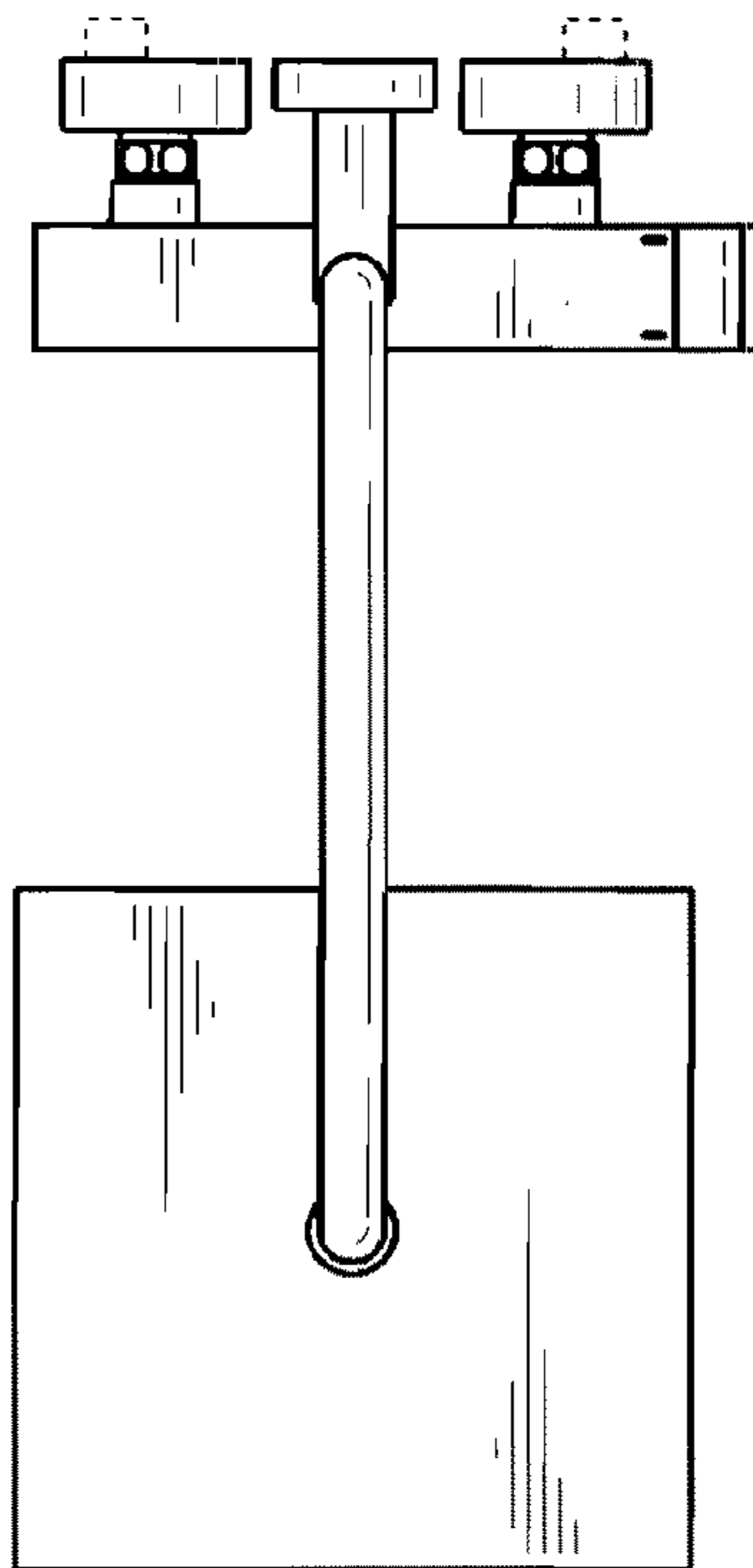


FIG. 4

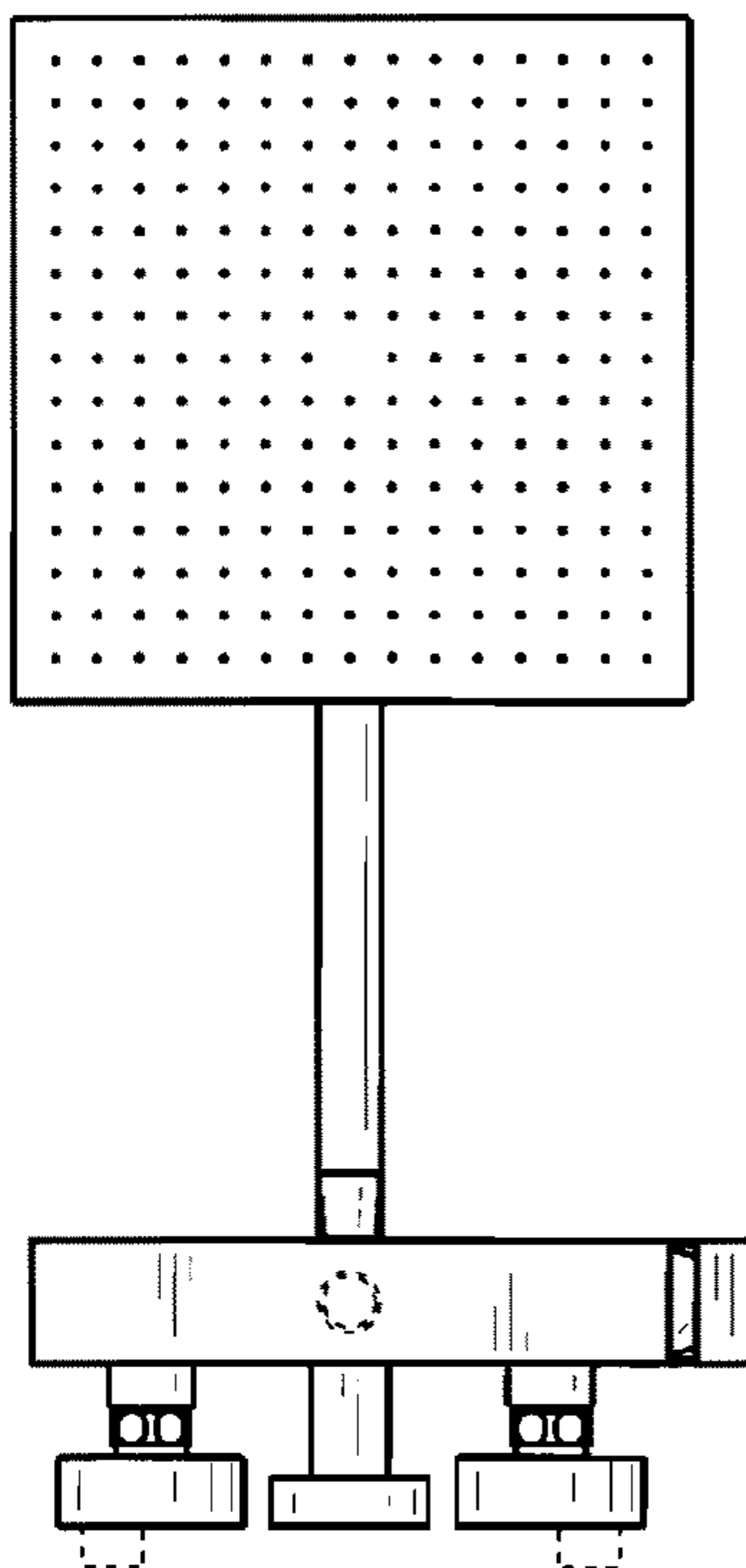


FIG. 5

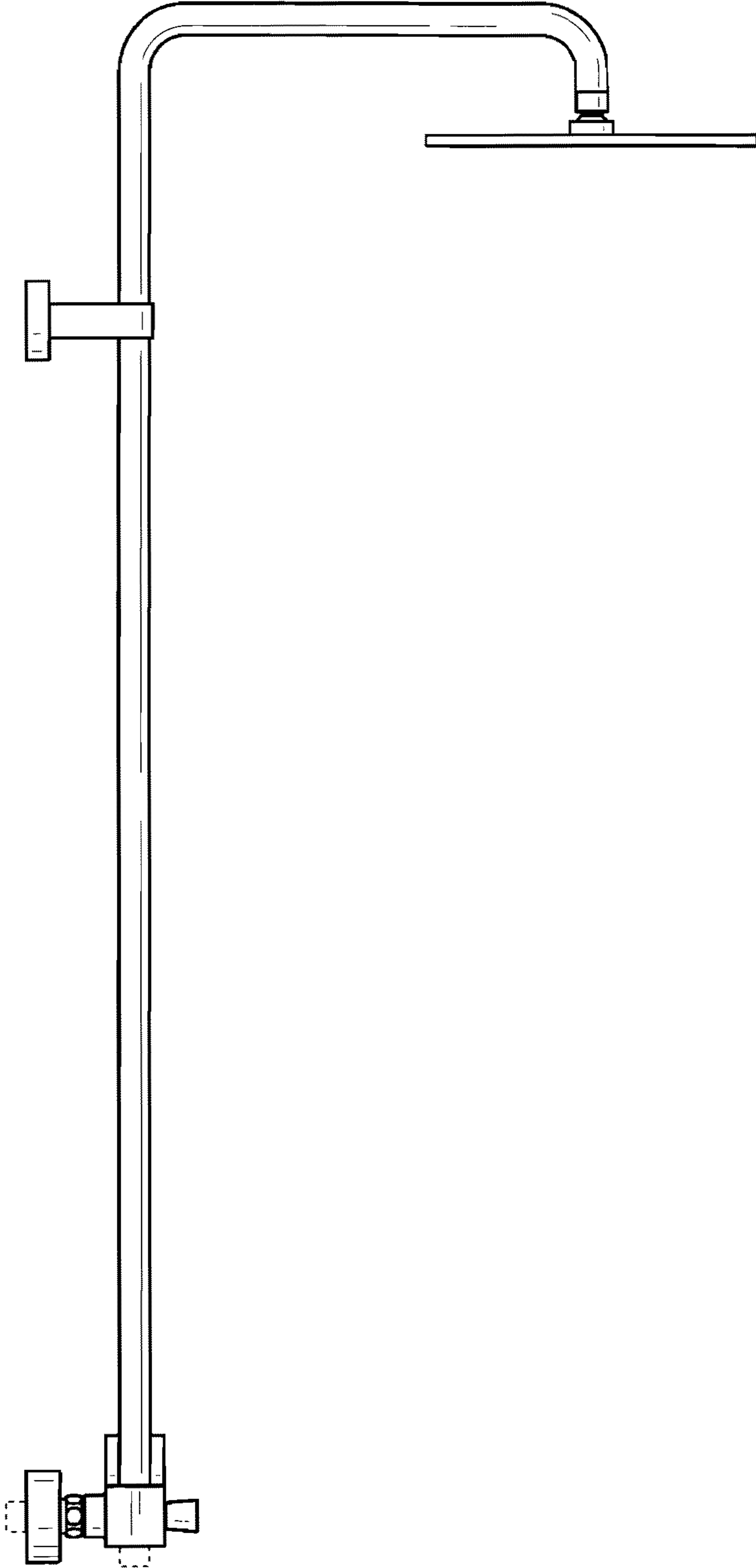


FIG. 6

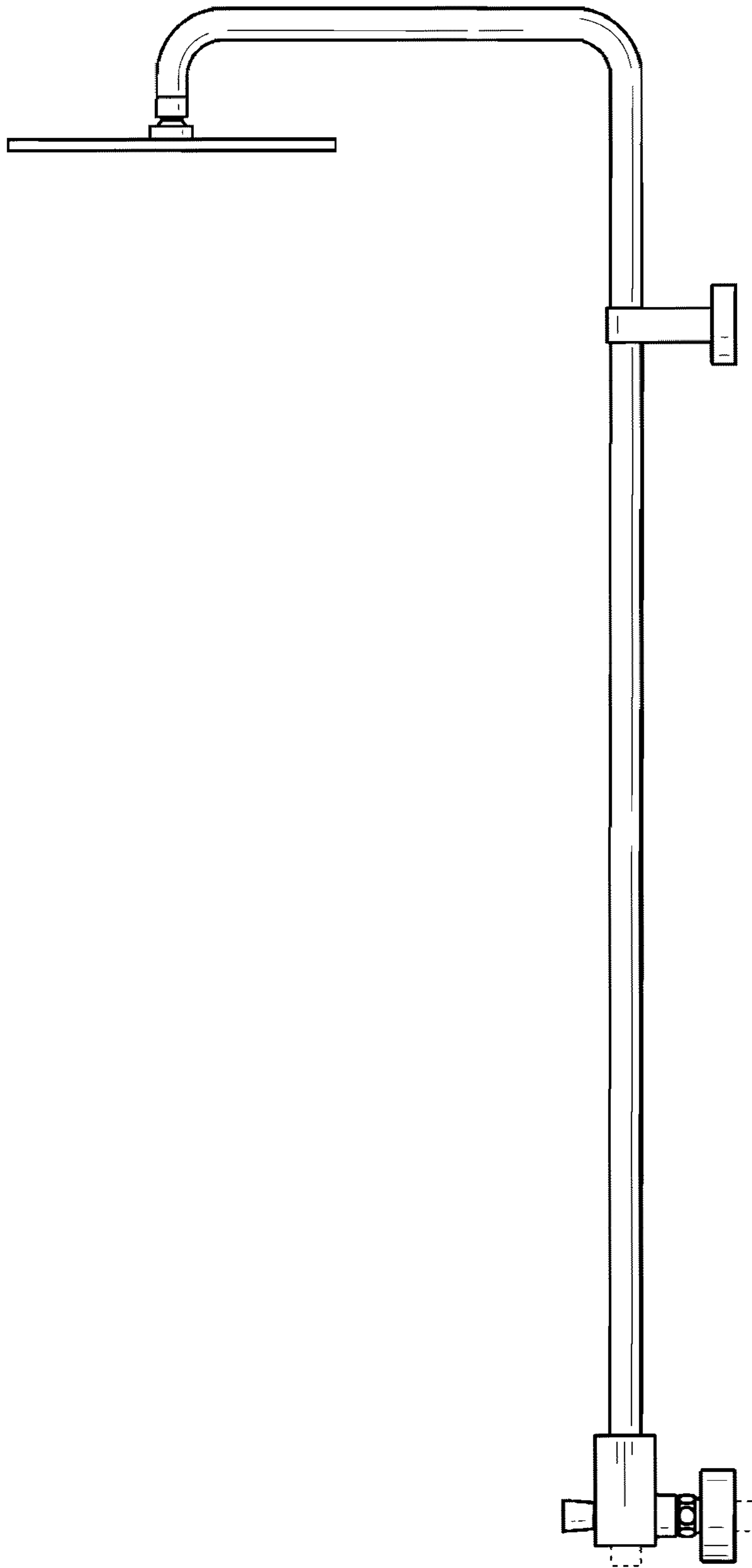


FIG. 7