



US00D648824S

(12) **United States Design Patent**  
**Hung**

(10) **Patent No.:** **US D648,824 S**

(45) **Date of Patent:** **\*\* Nov. 15, 2011**

(54) **SPRINKLER**

(75) **Inventor:** **Chen-Fu Hung**, Changhua County (TW)

(73) **Assignee:** **Ruey Ryh Enterprise Co., Ltd.**,  
Changhua County (TW)

(\*\*) **Term:** **14 Years**

(21) **Appl. No.:** **29/389,533**

(22) **Filed:** **Apr. 13, 2011**

(51) **LOC (9) Cl.** ..... **23-01**

(52) **U.S. Cl.** ..... **D23/226**

(58) **Field of Classification Search** ..... D23/213,  
D23/223, 226; 239/525-527

See application file for complete search history.

(56) **References Cited**

U.S. PATENT DOCUMENTS

6,427,931 B1 \* 8/2002 Guo ..... 239/526

\* cited by examiner

*Primary Examiner* — Robin V Webster

(74) *Attorney, Agent, or Firm* — Tan-Chi Yuan

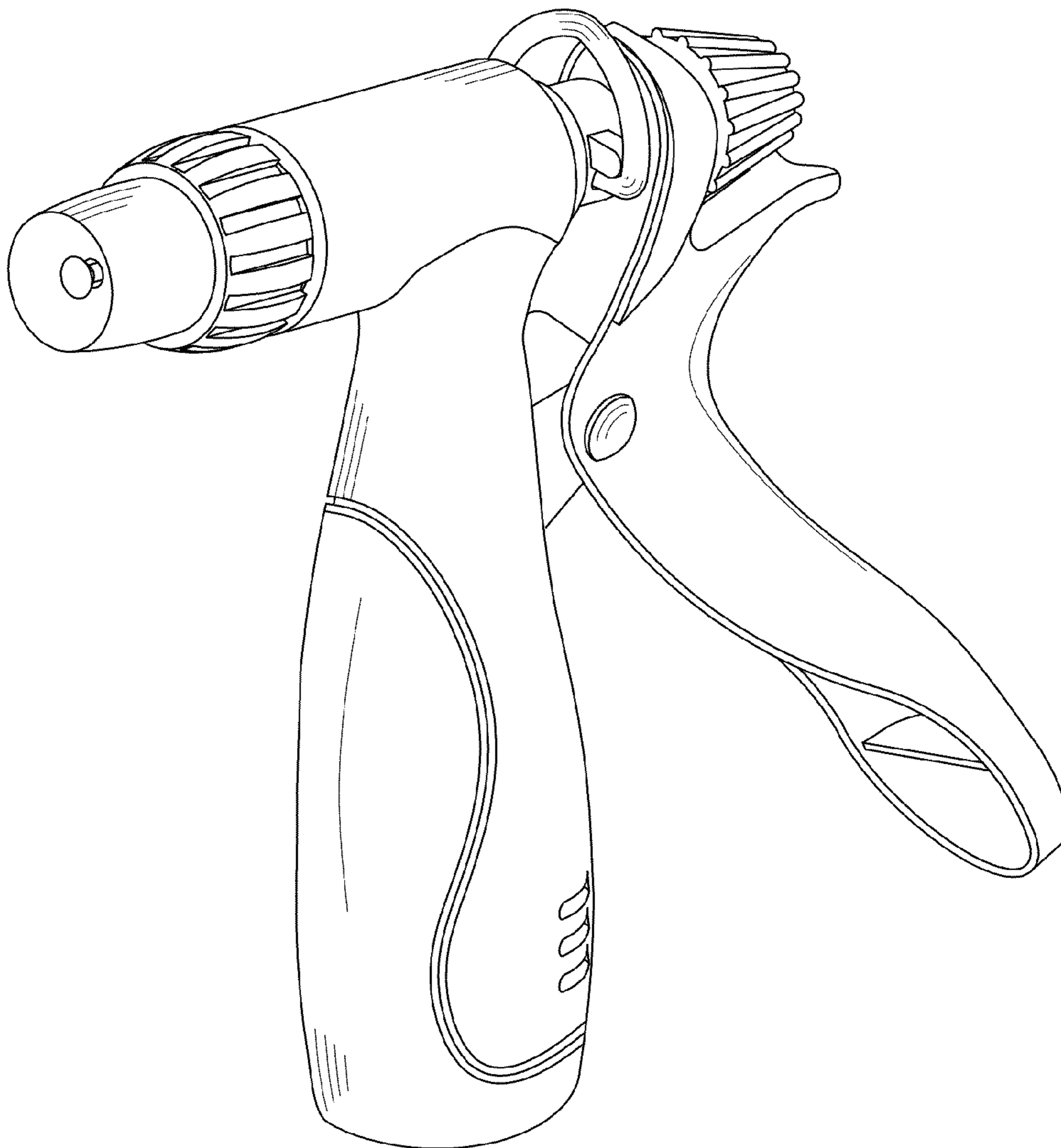
(57) **CLAIM**

The ornamental design for a sprinkler, as shown and described.

**DESCRIPTION**

FIG. 1 is a perspective view of a sprinkler.  
FIG. 2 is a front elevation of the sprinkler.  
FIG. 3 is a rear elevation of the sprinkler.  
FIG. 4 is a left side elevation of the sprinkler.  
FIG. 5 is a right side elevation of the sprinkler.  
FIG. 6 is a top plane of the sprinkler; and,  
FIG. 7 is a bottom plane of the sprinkler.

**1 Claim, 7 Drawing Sheets**



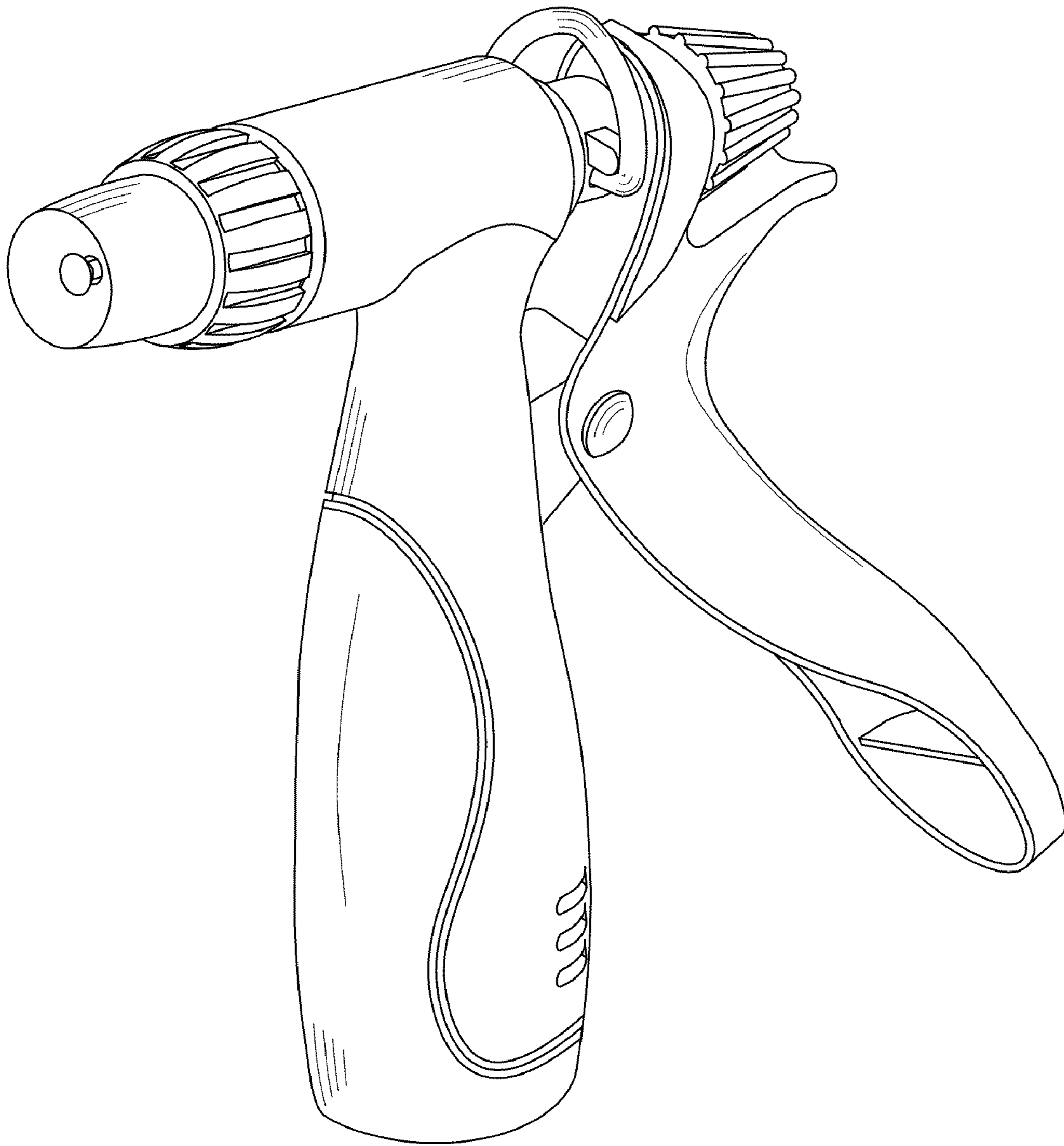


FIG. 1

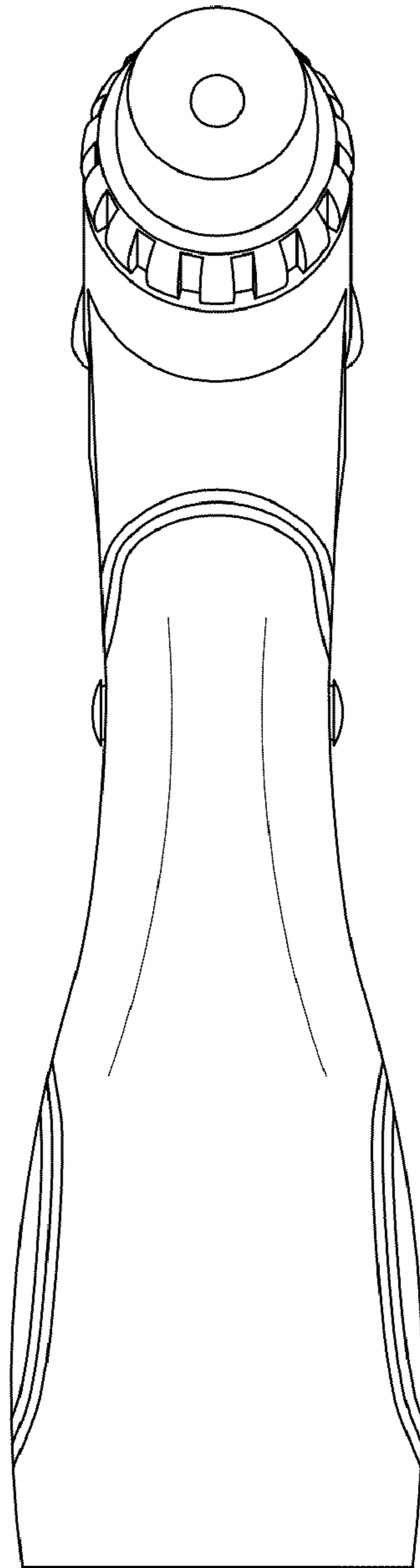


FIG. 2

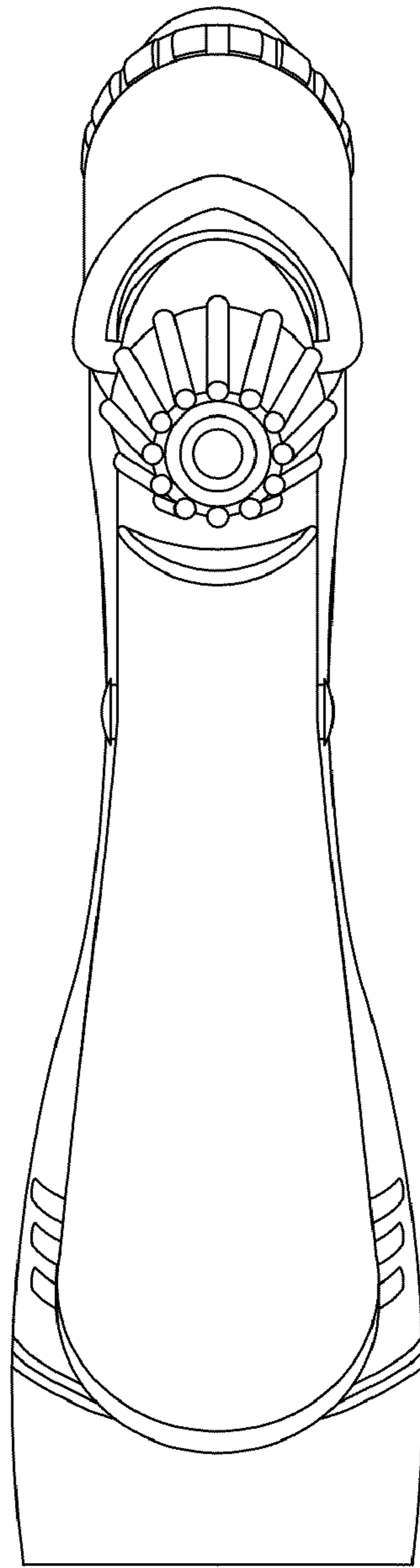


FIG. 3

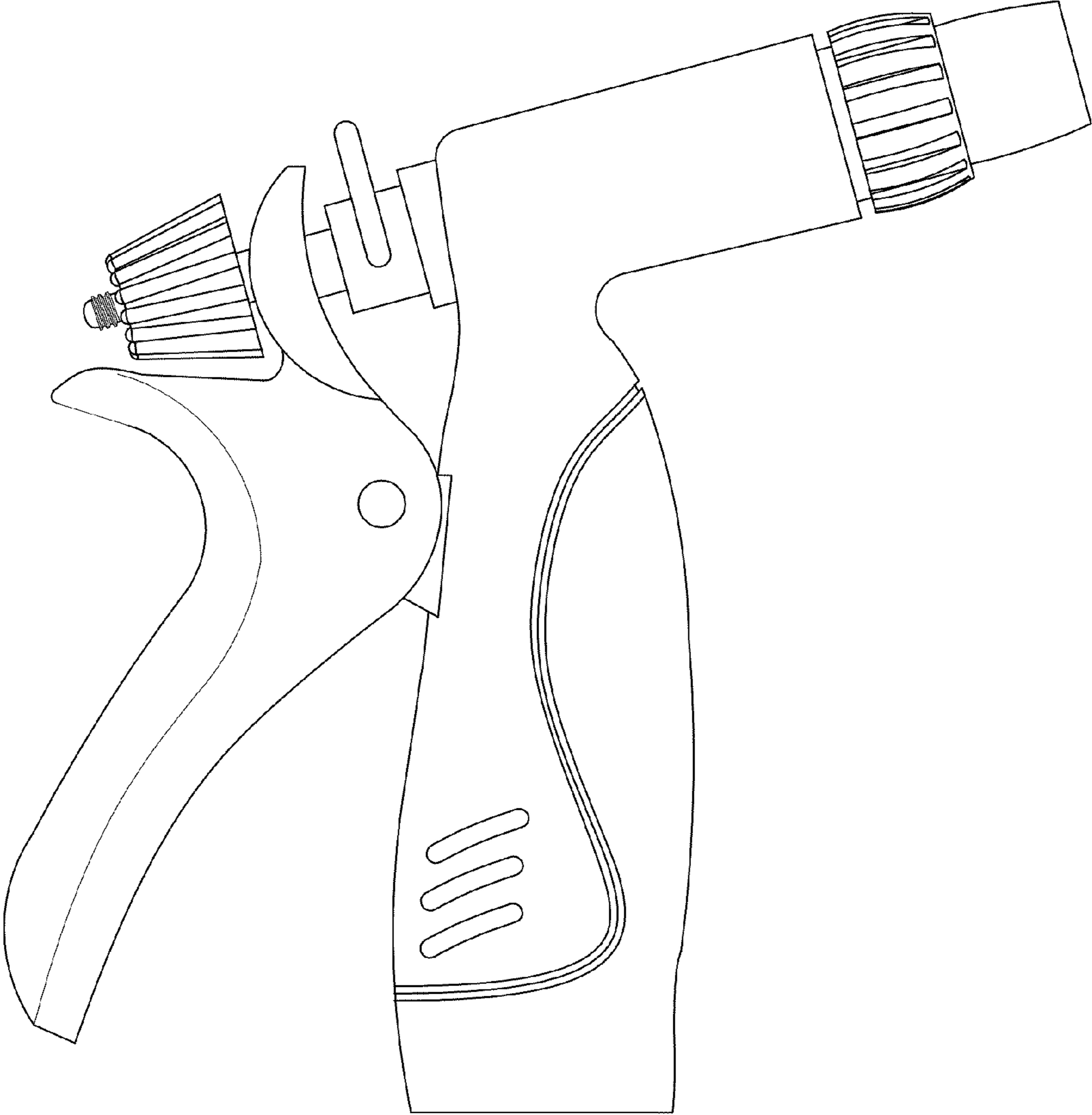


FIG. 4

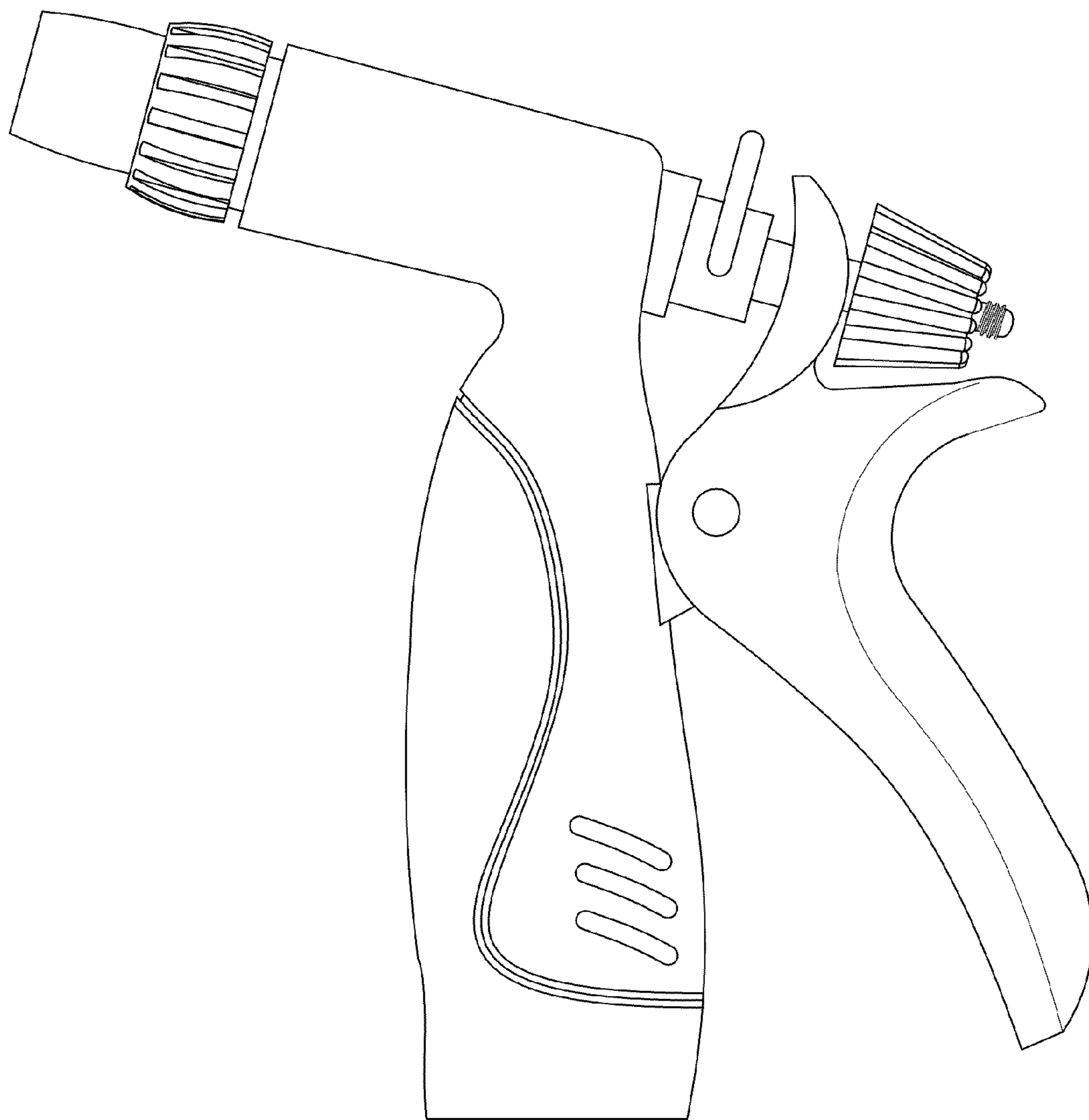


FIG. 5

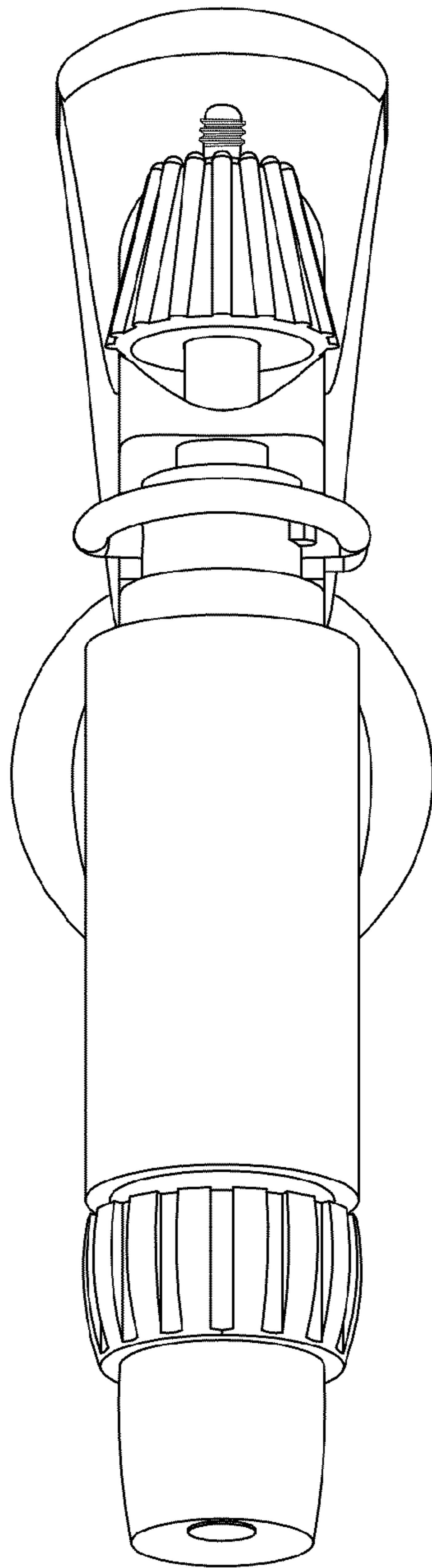


FIG. 6

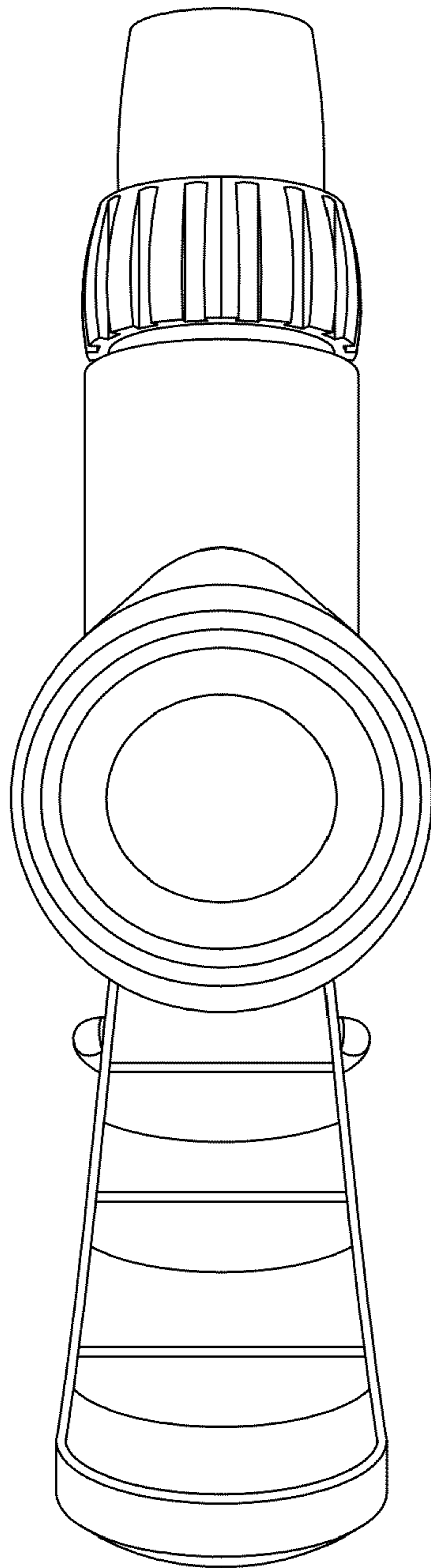


FIG. 7