



US00D648823S

(12) **United States Design Patent**
Hung

(10) **Patent No.:** **US D648,823 S**

(45) **Date of Patent:** **** Nov. 15, 2011**

(54) **SPRINKLER**

(75) Inventor: **Chen-Fu Hung**, Hsiushui Hsiang (TW)

(73) Assignee: **Ruey Ryh Enterprise Co., Ltd.**,
Changhua Hsien (TW)

(**) Term: **14 Years**

(21) Appl. No.: **29/363,537**

(22) Filed: **Jun. 10, 2010**

(51) **LOC (9) Cl.** **23-01**

(52) **U.S. Cl.** **D23/223; D23/226**

(58) **Field of Classification Search** D23/213,
D23/223, 226; 239/525, 526, 532

See application file for complete search history.

(56) **References Cited**

U.S. PATENT DOCUMENTS

D353,874 S	*	12/1994	Clivio	D23/213
D385,948 S	*	11/1997	Guo	D23/223
D466,183 S	*	11/2002	Tse	D23/213
D470,567 S	*	2/2003	Alkalay et al.	D23/223
D479,302 S		9/2003	Chen		

D491,252 S	6/2004	Chen	
D499,790 S	12/2004	Chen	
D513,426 S	*	1/2006	Chen D23/223
D513,427 S	1/2006	Chen	
6,981,661 B1	1/2006	Chen	
D557,377 S	12/2007	Chen	
D565,700 S	4/2008	Chen	
D606,626 S	12/2009	Zore	

* cited by examiner

Primary Examiner — Robin V Webster

(74) *Attorney, Agent, or Firm* — Senniger Powers LLP

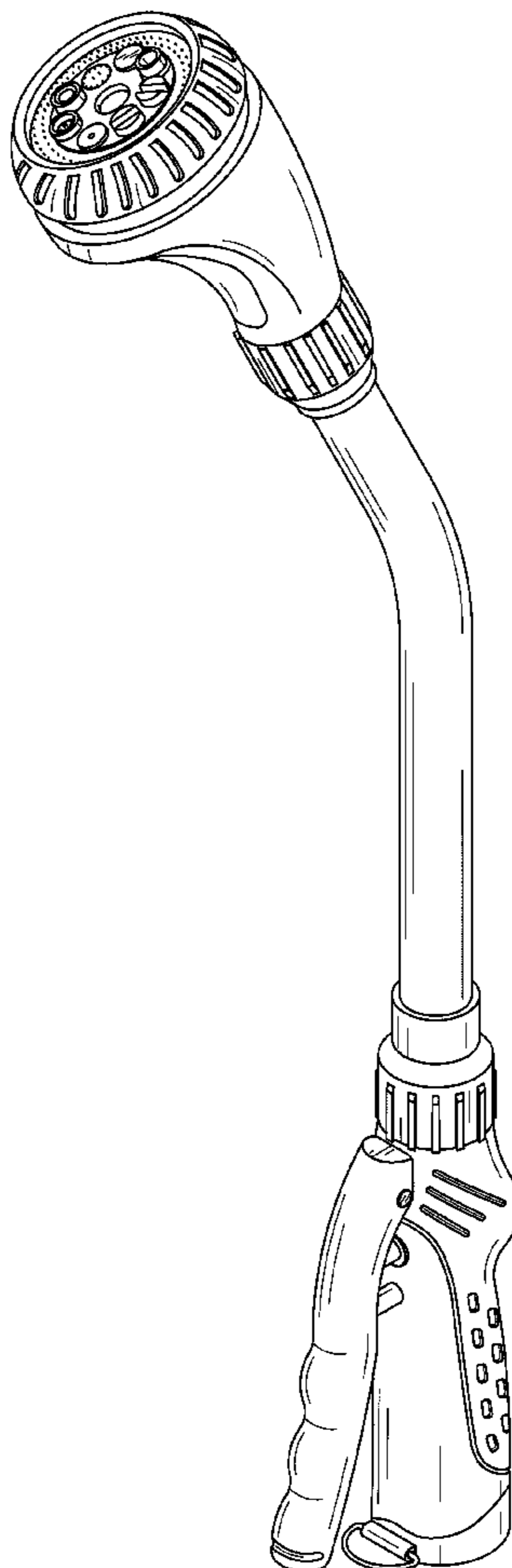
(57) **CLAIM**

The ornamental design for a sprinkler, as shown and described.

DESCRIPTION

FIG. 1 is a perspective view of a sprinkler;
FIG. 2 is a front elevation of the sprinkler;
FIG. 3 is a rear elevation of the sprinkler;
FIG. 4 is a left side elevation of the sprinkler;
FIG. 5 is a right side elevation of the sprinkler;
FIG. 6 is a top plan of the sprinkler; and,
FIG. 7 is a bottom plan of the sprinkler.

1 Claim, 7 Drawing Sheets



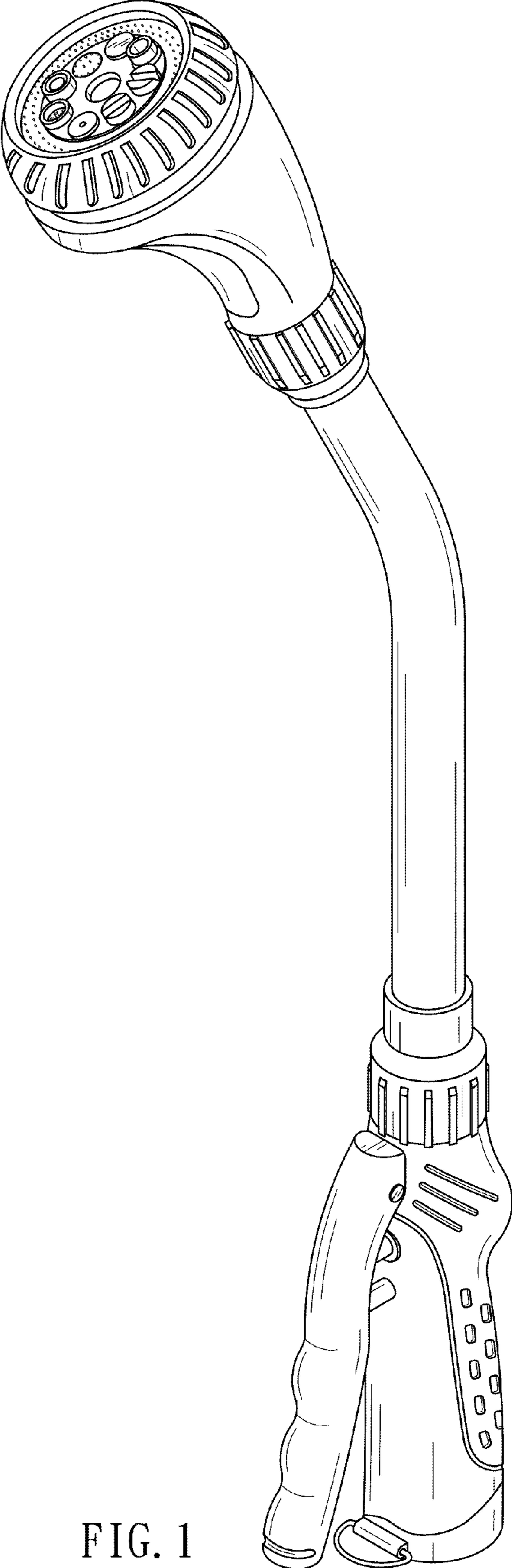


FIG. 1

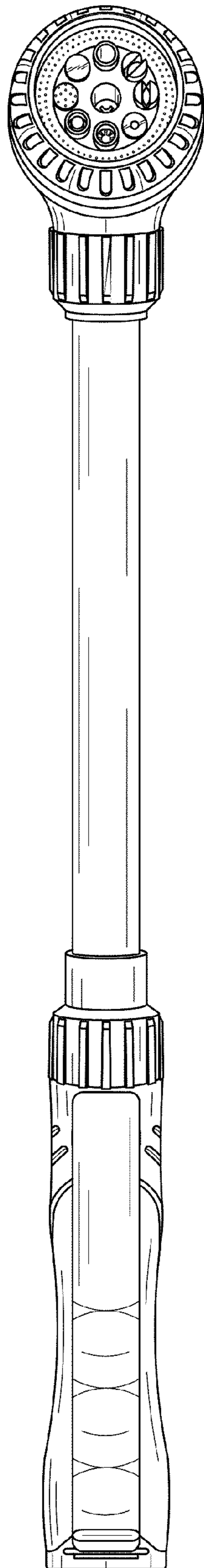


FIG. 2

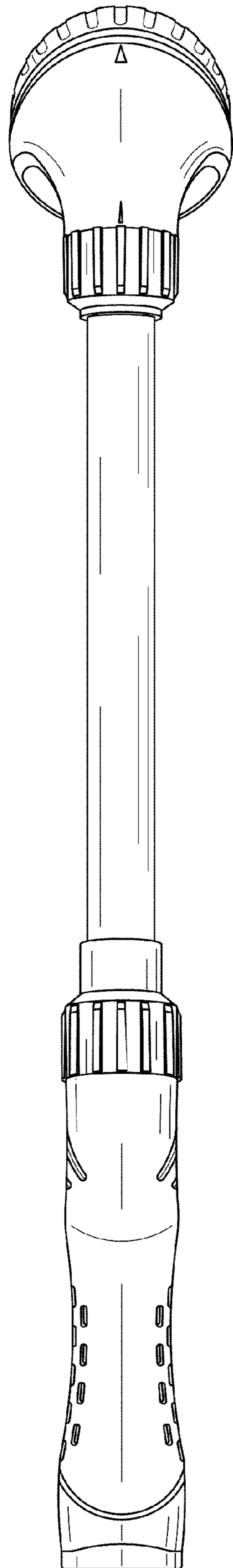


FIG. 3

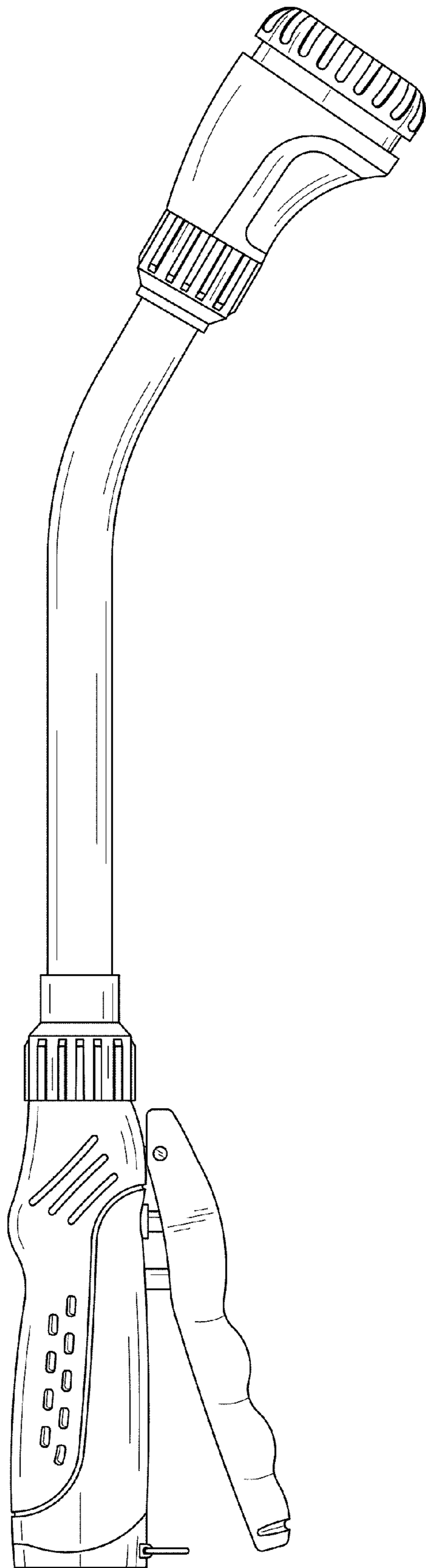


FIG. 4

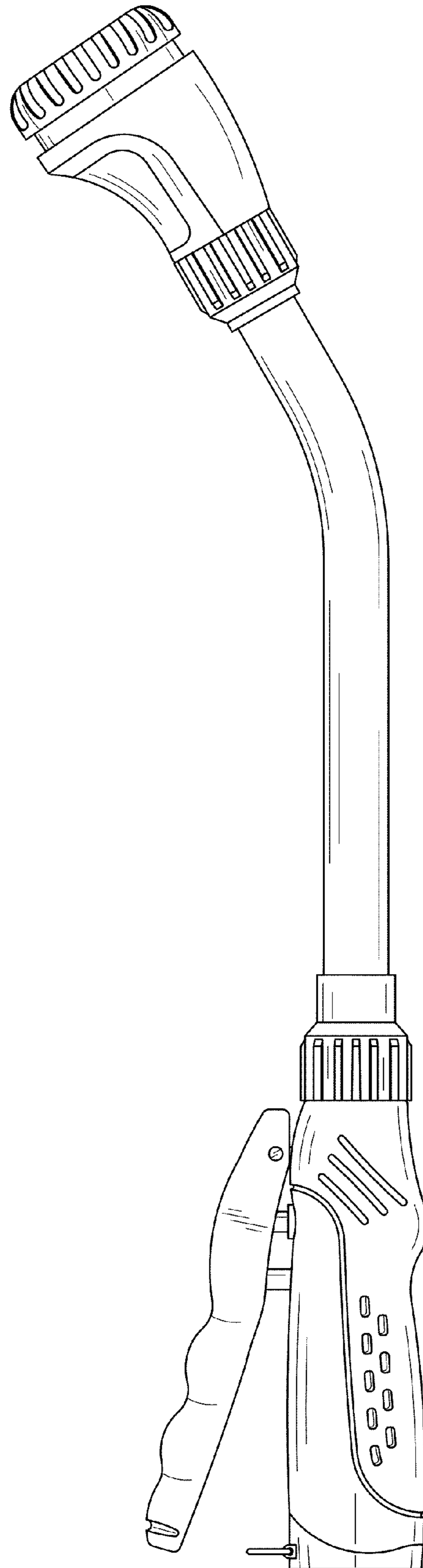


FIG. 5

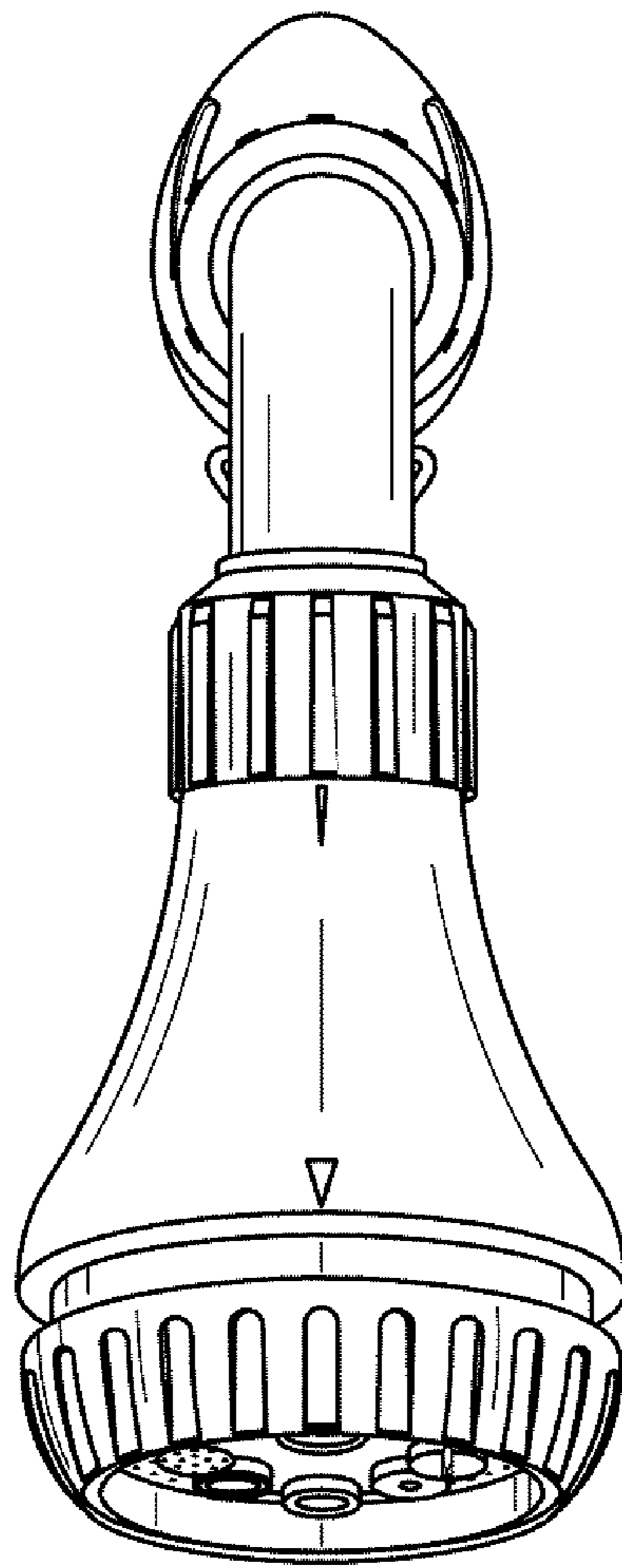


FIG. 6

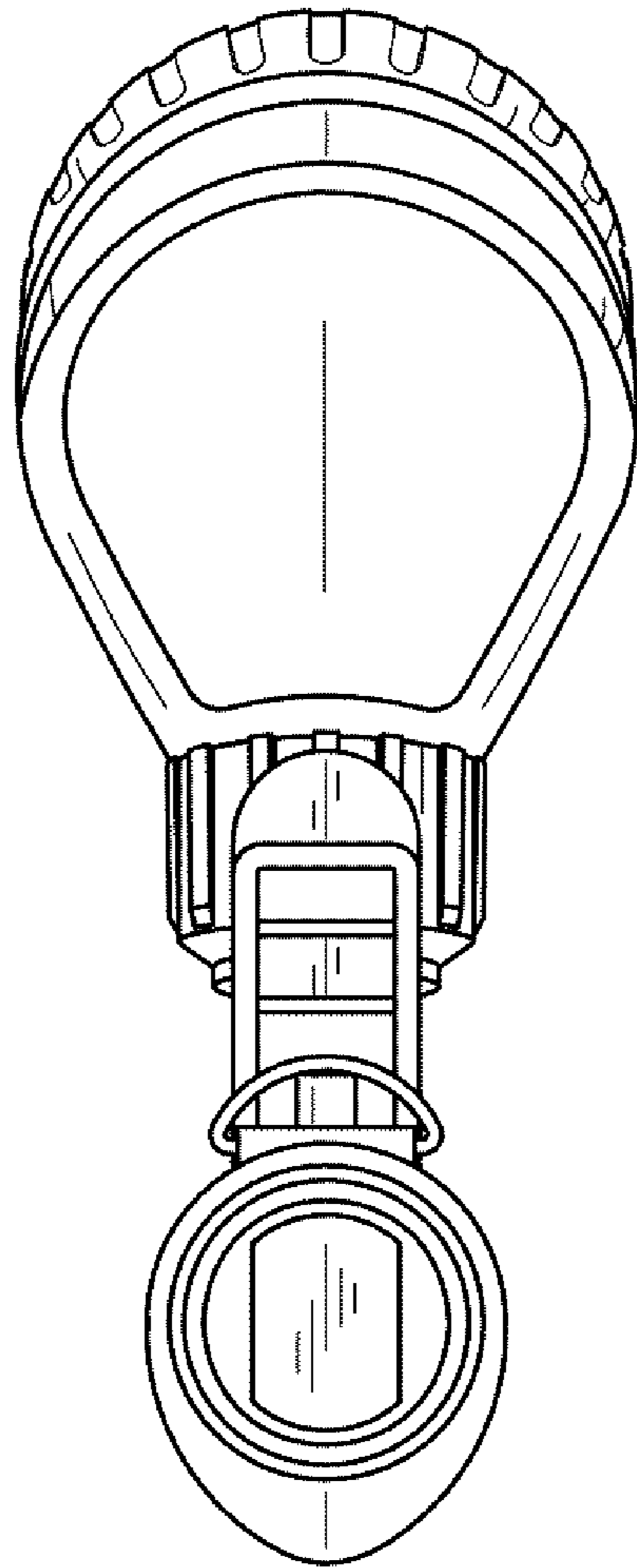


FIG. 7