



US00D648819S

(12) **United States Design Patent**
Bronk

(10) **Patent No.:** **US D648,819 S**

(45) **Date of Patent:** **** Nov. 15, 2011**

(54) **SMOOTH BEDBUG BARRIER**

(76) Inventor: **Richard K. Bronk**, Shenandoah, PA
(US)

(**) Term: **14 Years**

(21) Appl. No.: **29/385,591**

(22) Filed: **Feb. 16, 2011**

(51) **LOC (9) Cl.** **22-06**

(52) **U.S. Cl.** **D22/122**

(58) **Field of Classification Search** D22/119-124;
43/107, 109, 112-113, 121-122, 124, 131,
43/132.1

See application file for complete search history.

(56) **References Cited**

U.S. PATENT DOCUMENTS

6,484,437	B2	11/2002	Roberts	
6,510,648	B2 *	1/2003	Roberts	43/109
6,513,281	B2	2/2003	Roberts	
6,912,815	B1	7/2005	Koehler et al.	
D639,379	S *	6/2011	Crouse et al.	D22/122
D639,895	S *	6/2011	Schneidmiller et al.	D22/122
2009/0282728	A1	11/2009	McKnight et al.	

FOREIGN PATENT DOCUMENTS

WO	WO2010/081194	A1	1/2009
WO	WO2009/137047	A1	5/2009
WO	WO2011/000029	A1	6/2010

* cited by examiner

Primary Examiner — Catheri Oliver

(74) *Attorney, Agent, or Firm* — Antonio Papageorgiou;
Ostrow Kaufman LLP

(57) **CLAIM**

The ornamental design for smooth bedbug barrier, as shown and described.

DESCRIPTION

FIG. 1 is a perspective view of one side and the front of the smooth bedbug barrier according to one embodiment of my new design;

FIG. 2 is a top view of FIG. 1 thereof;

FIG. 3 is a side view of FIG. 1, all sides being equal, thereof;

FIG. 4 is a cross sectional view shown along line 4-4 in FIG. 3;

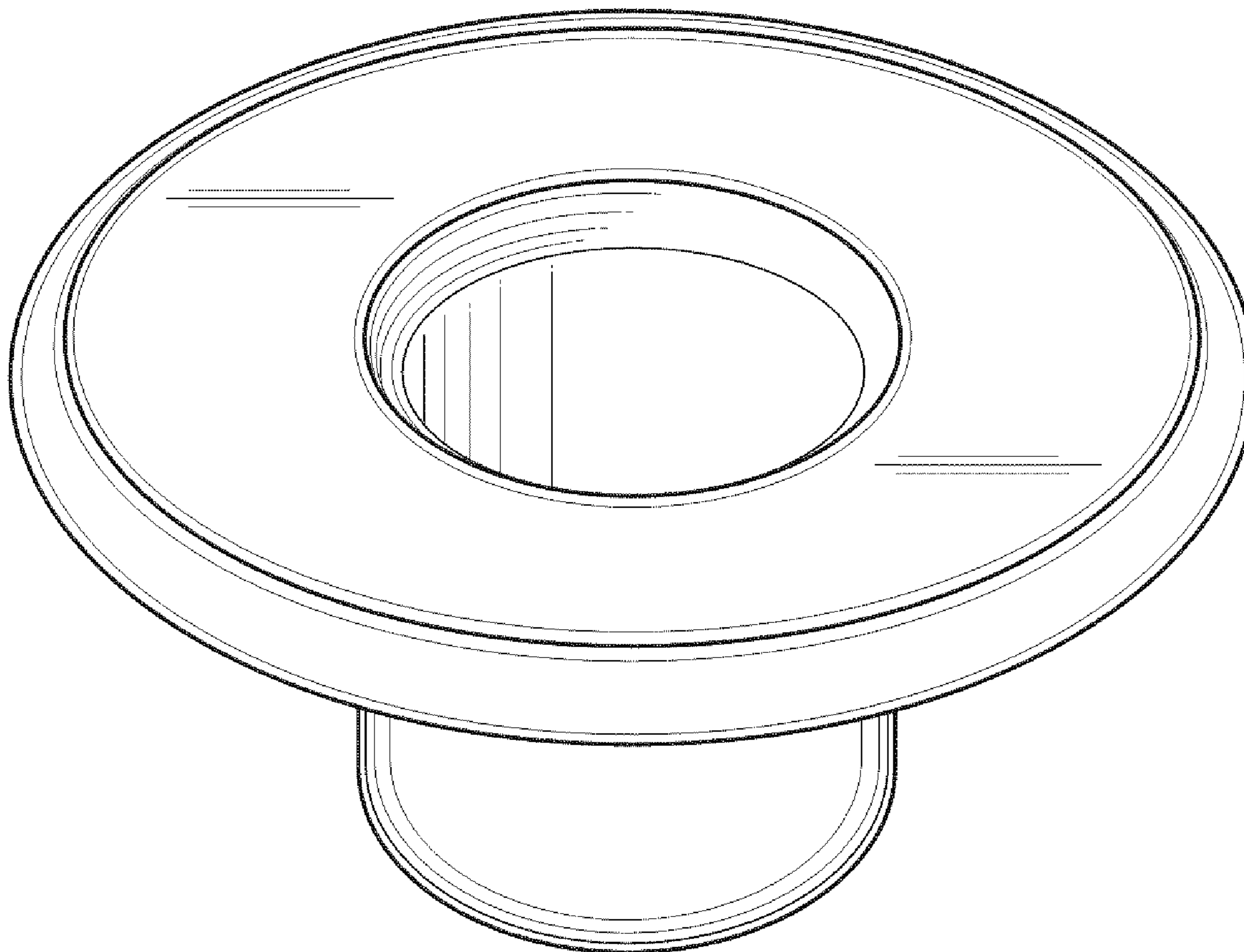
FIG. 5 is a perspective view of one side and the front of another embodiment of my new design;

FIG. 6 is a top view of FIG. 5 thereof;

FIG. 7 is a side view of FIG. 5, all sides being equal, thereof; and,

FIG. 8 is a cross sectional view shown along line 8-8 in FIG. 7.

1 Claim, 4 Drawing Sheets



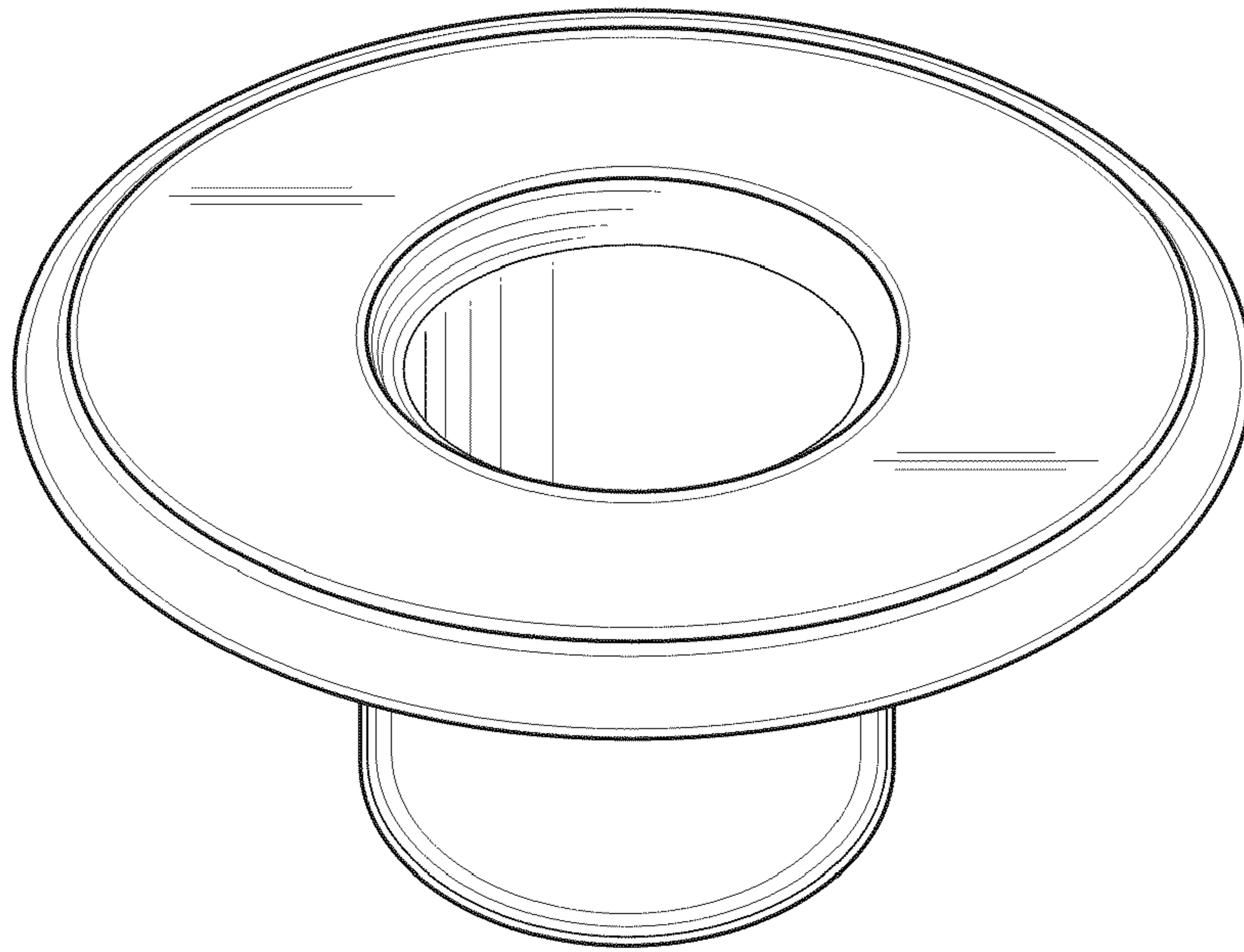


FIG. 1

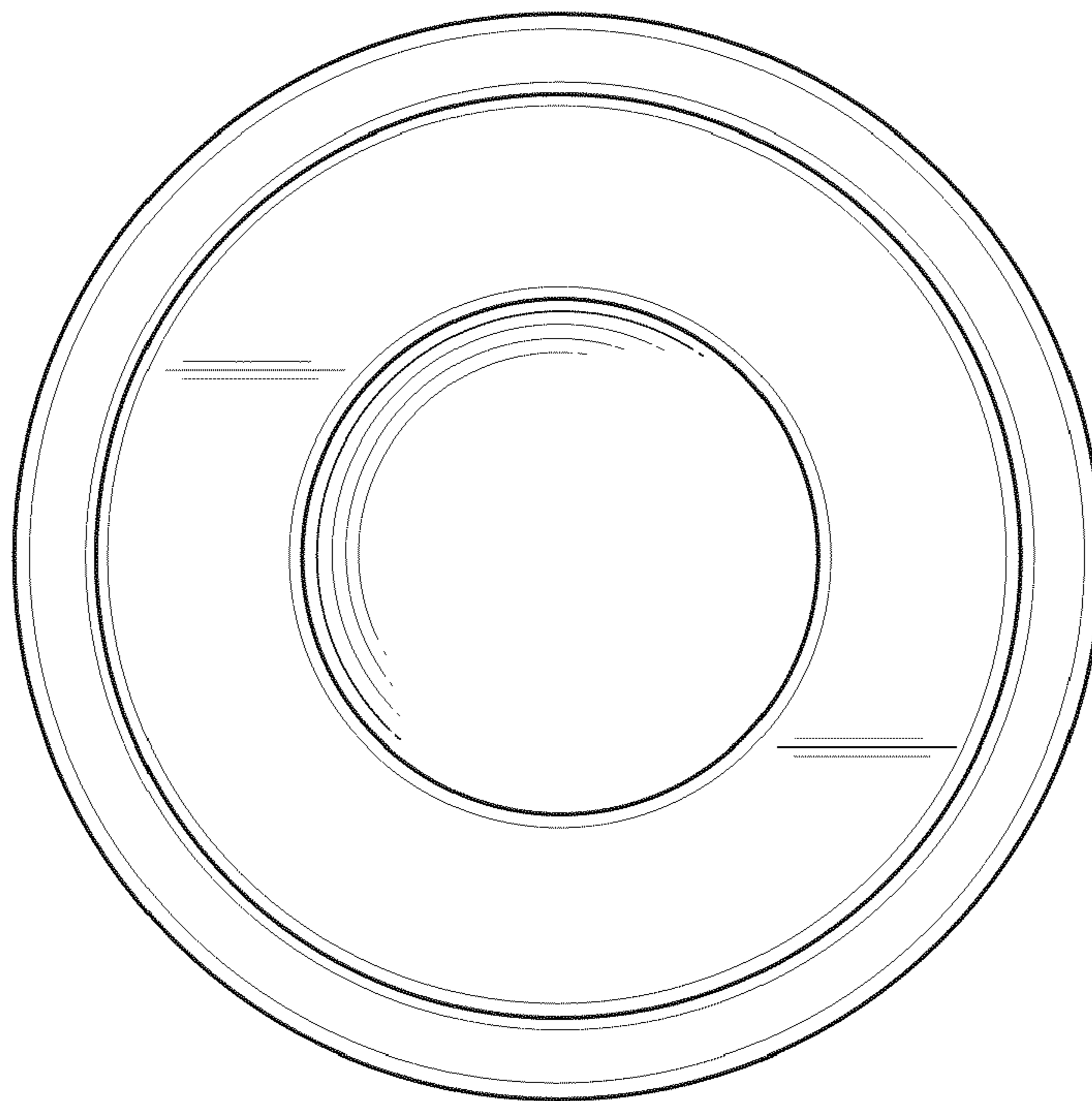


FIG. 2

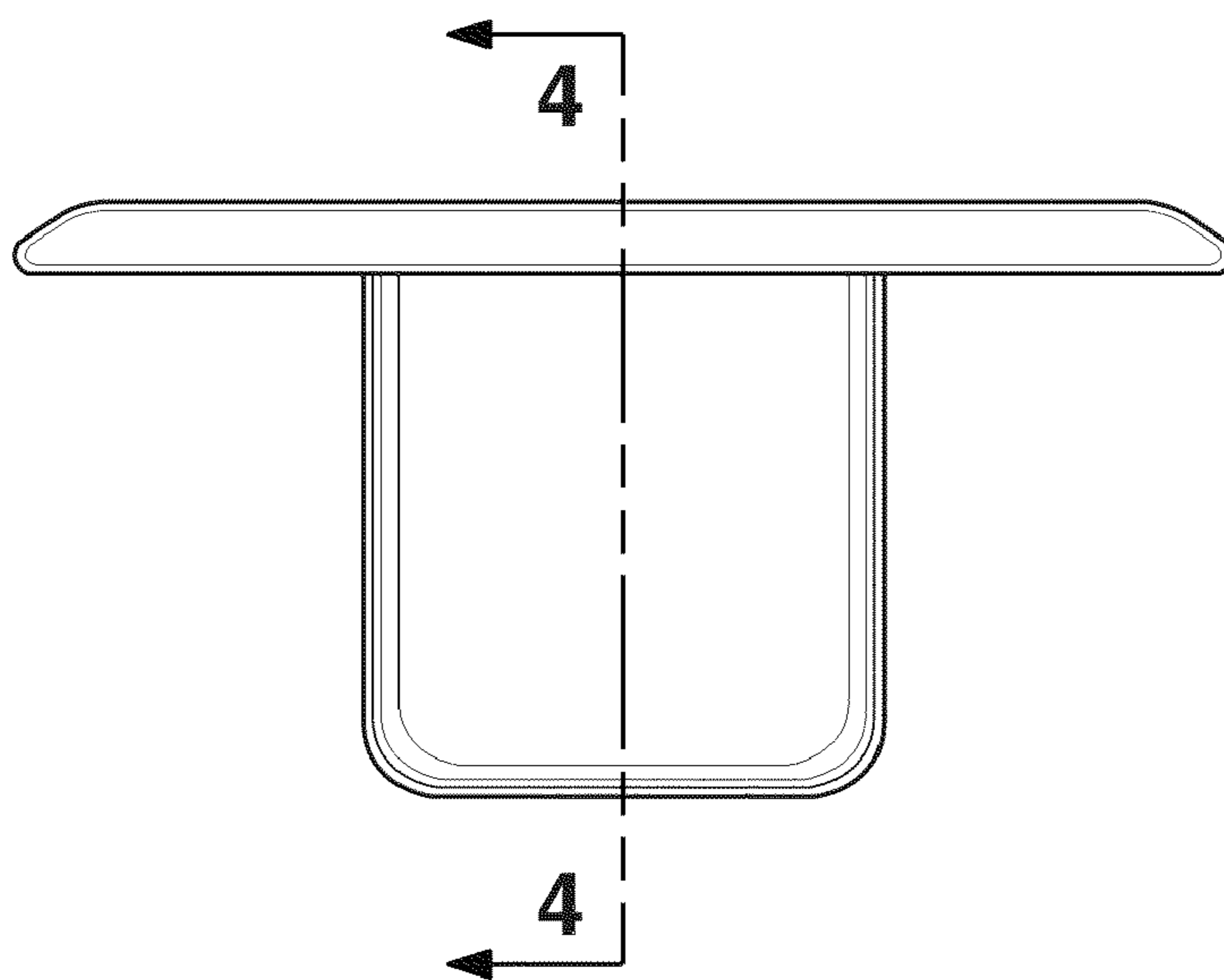


FIG. 3

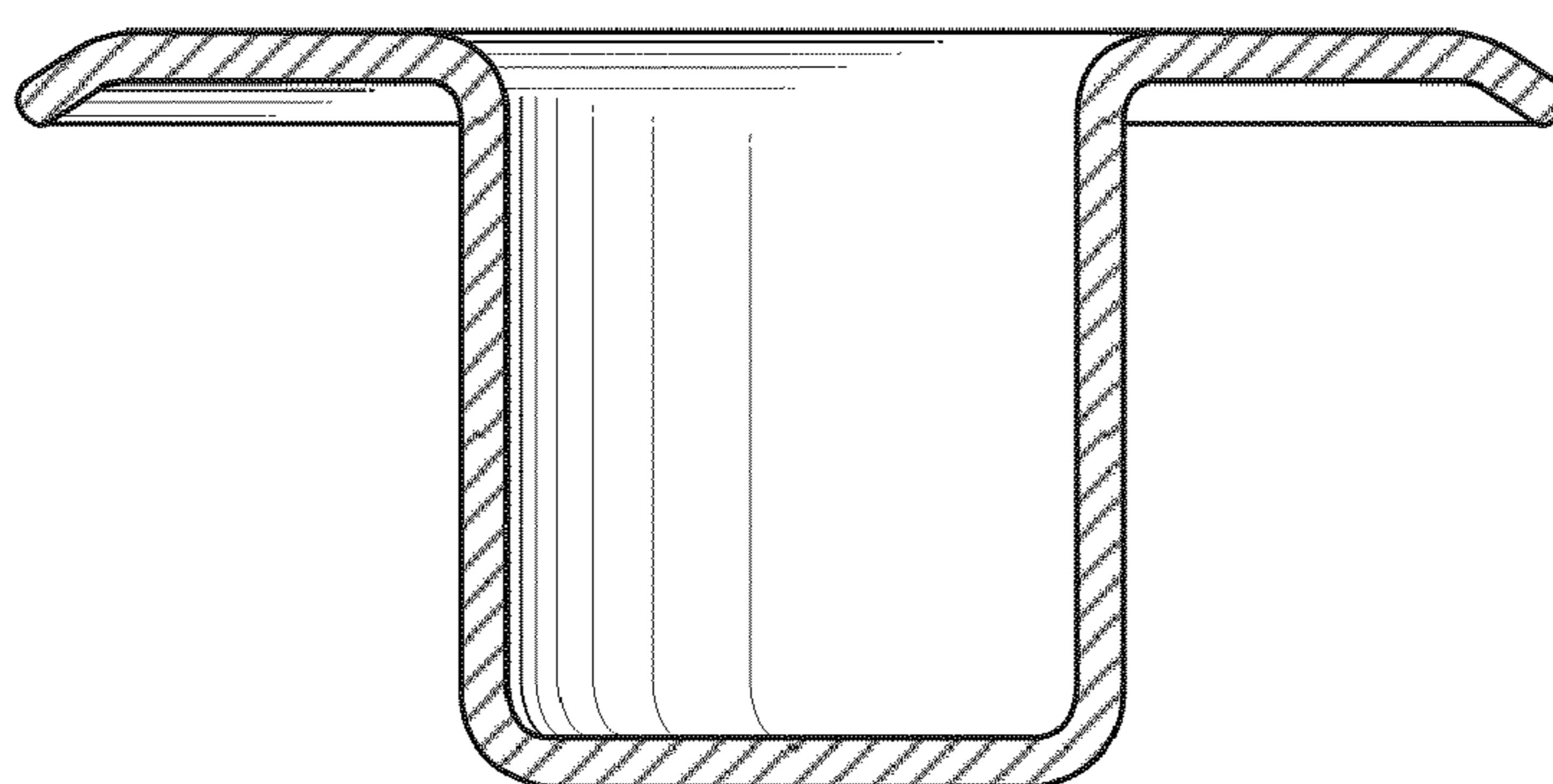


FIG. 4

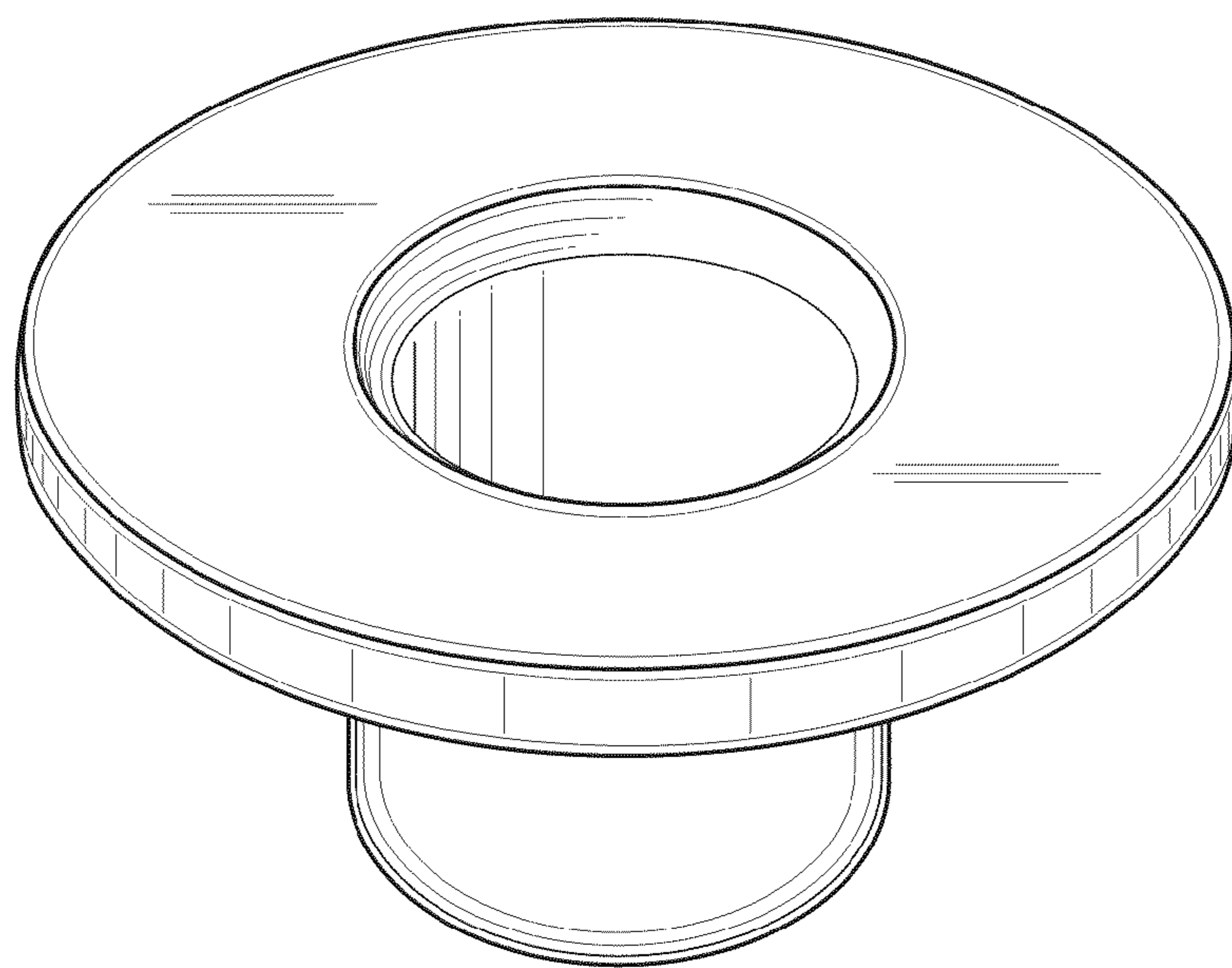


FIG. 5

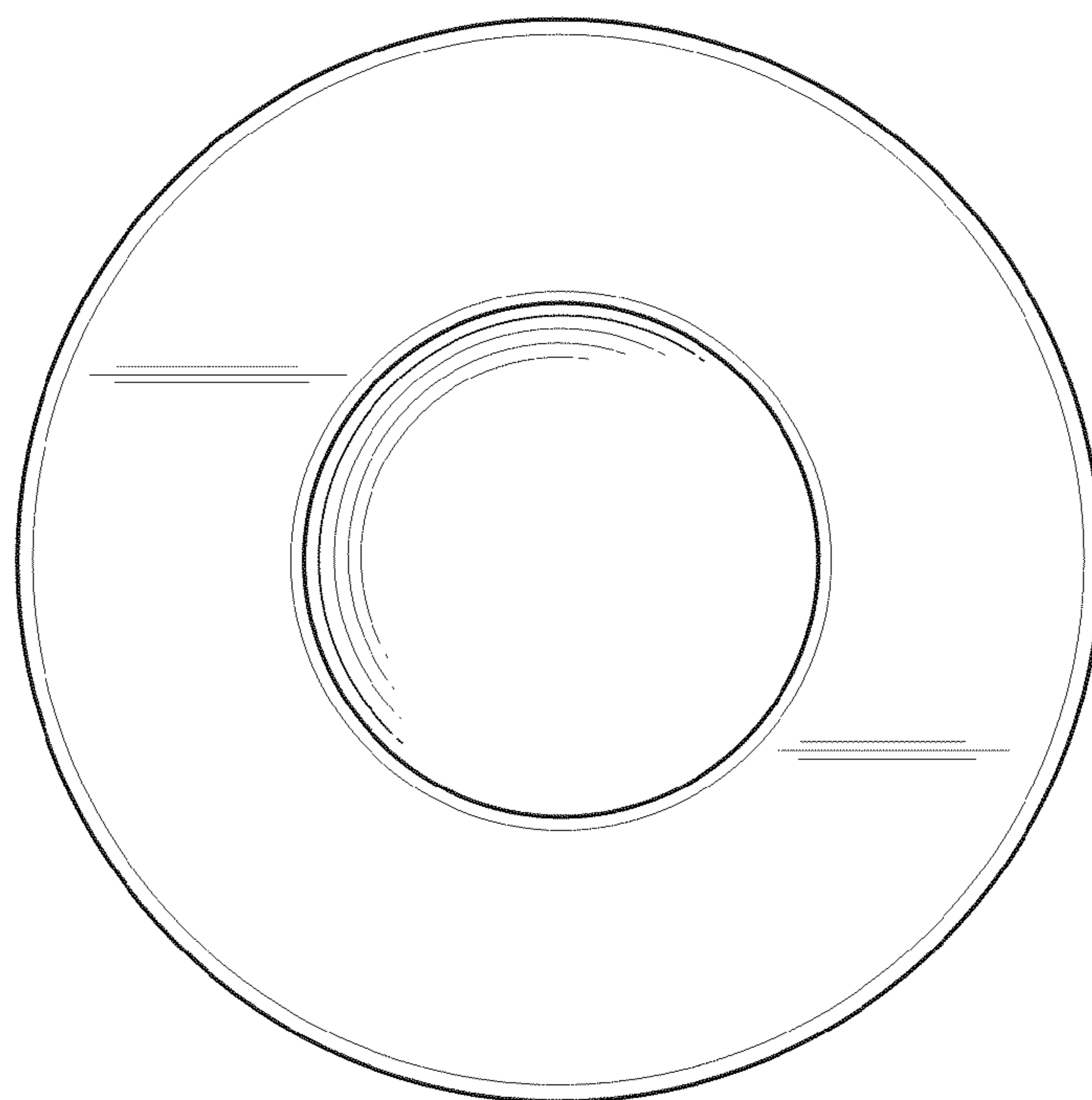


FIG. 6

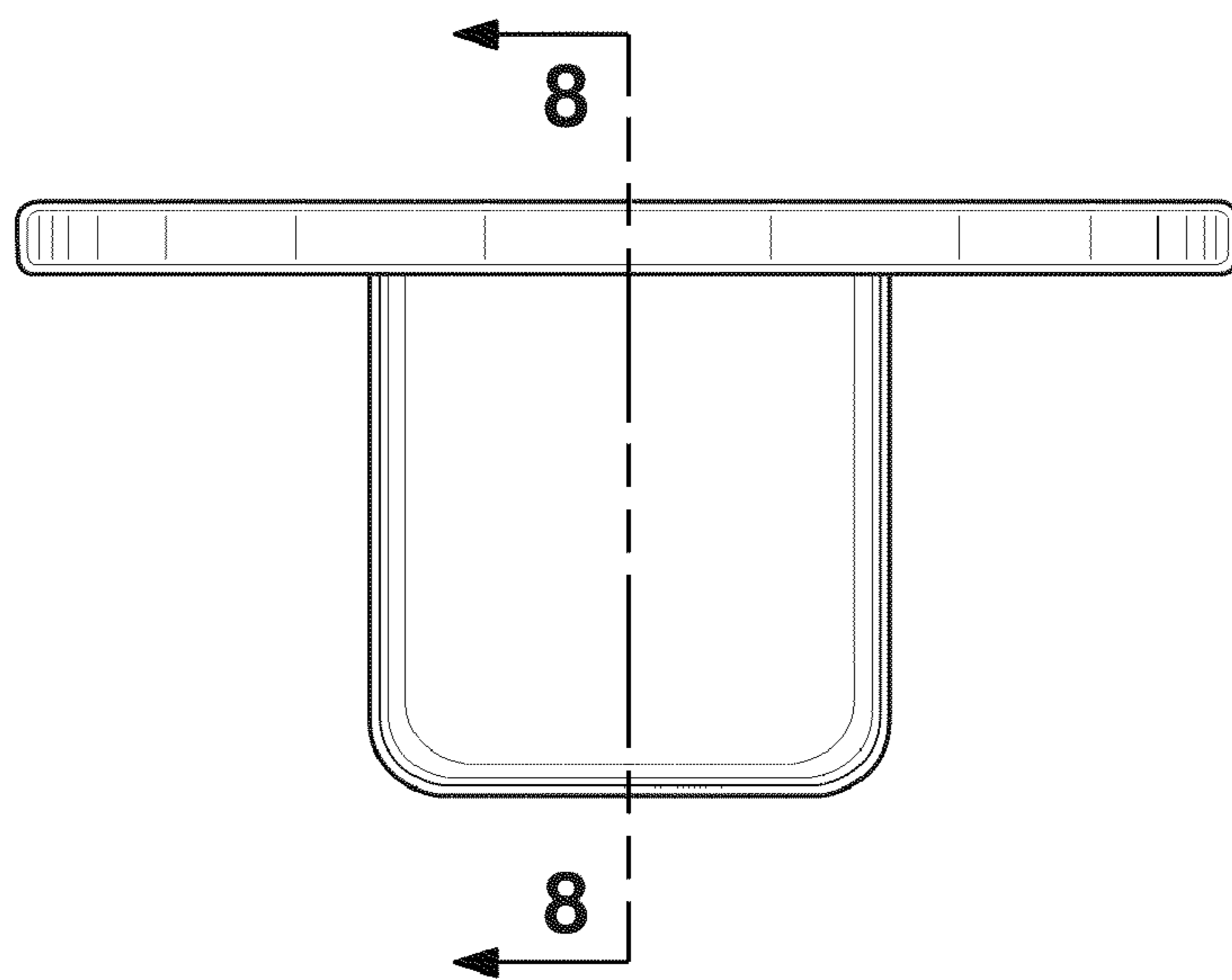


FIG. 7

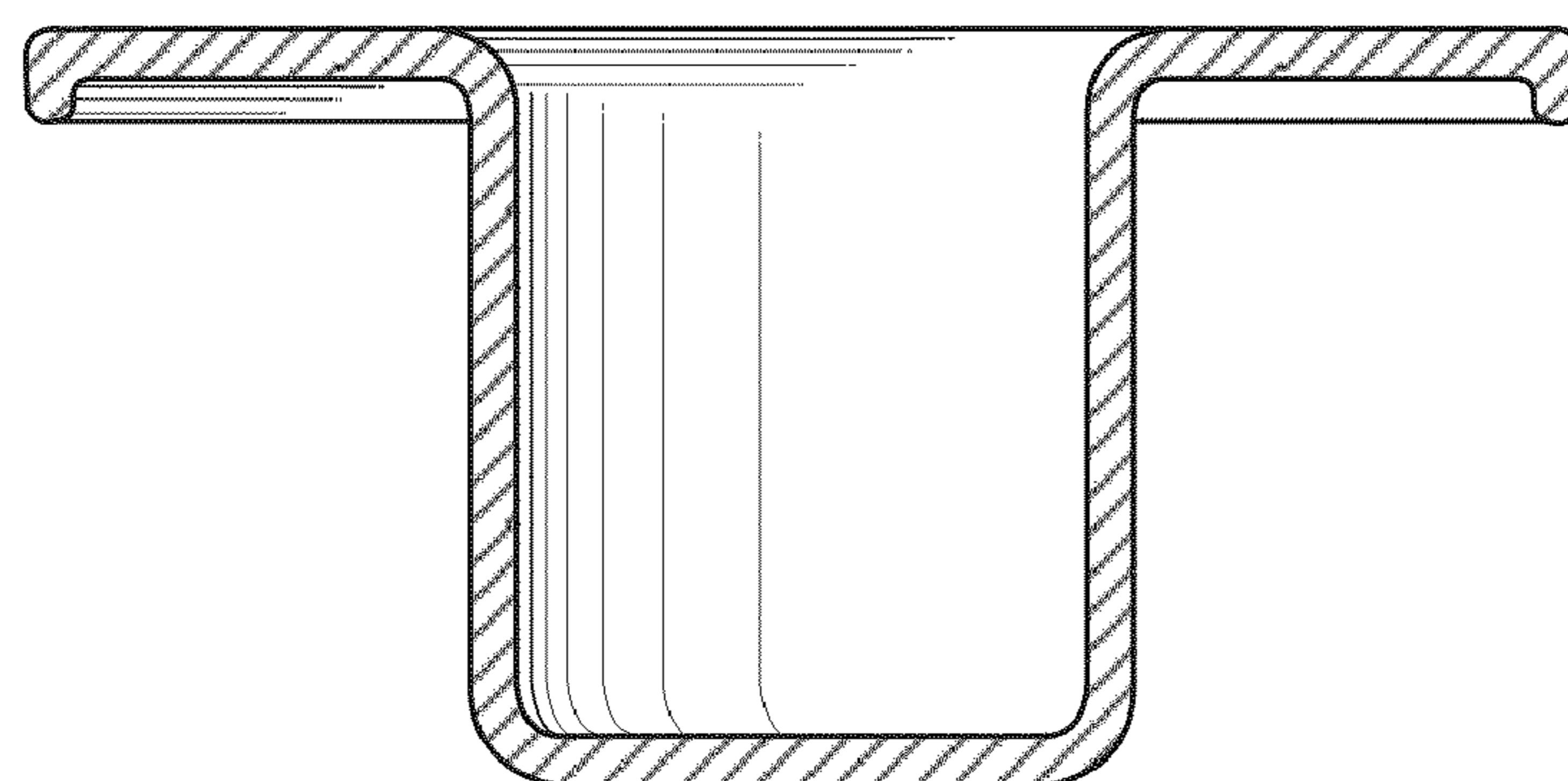


FIG. 8