



US00D648814S

(12) **United States Design Patent**  
**Chen**

(10) **Patent No.:** **US D648,814 S**

(45) **Date of Patent:** **\*\* Nov. 15, 2011**

(54) **CASING FOR A STEPPER**

(76) Inventor: **Tsung-Jen Chen**, Taichung (TW)

(\*\*) Term: **14 Years**

(21) Appl. No.: **29/366,428**

(22) Filed: **Jul. 25, 2010**

(51) **LOC (9) Cl.** ..... **21-02**

(52) **U.S. Cl.** ..... **D21/694**

(58) **Field of Classification Search** ..... D21/662,  
D21/663, 668, 670, 671, 680-686, 688, 692,  
D21/694; 482/44, 45, 46, 49, 51-53, 105-108,  
482/114, 115, 141, 142, 146, 148; D8/107,  
D8/303, 313; 16/411, 421, 422, 431; 294/171;  
473/543

See application file for complete search history.

(56) **References Cited**

**U.S. PATENT DOCUMENTS**

2,394,050	A *	2/1946	Goza	.....	294/171
D212,811	S *	11/1968	Miller	.....	D21/775
D293,124	S *	12/1987	Sobel	.....	D21/694
D337,801	S *	7/1993	Tandberg	.....	D21/680
D429,454	S *	8/2000	Lademann, III	.....	D8/303
D437,901	S *	2/2001	Forman	.....	D21/694
D486,537	S *	2/2004	Lin	.....	D21/694
D514,175	S *	1/2006	Sugiyama et al.	.....	D21/685
7,081,072	B2 *	7/2006	Allen	.....	482/106
D534,411	S *	1/2007	Kuo	.....	D8/107
D546,659	S *	7/2007	Smith	.....	D8/313

D587,980	S *	3/2009	Rosenbohm	.....	D8/303
7,563,216	B1 *	7/2009	Kest	.....	482/141
D612,898	S *	3/2010	Hsiung	.....	D21/694
D616,950	S *	6/2010	Hersee et al.	.....	D21/682

\* cited by examiner

*Primary Examiner* — Susan E Krakower

(57) **CLAIM**

I claim the ornamental design for a casing for a stepper, as shown and described.

**DESCRIPTION**

FIG. 1 is a perspective view of a casing for a stepper showing my new design;

FIG. 2 is a front elevational view thereof;

FIG. 3 is a rear elevational view thereof;

FIG. 4 is a left side elevational view thereof;

FIG. 5 is a right side elevational view thereof;

FIG. 6 is a top plan view thereof;

FIG. 7 is a bottom plan view thereof;

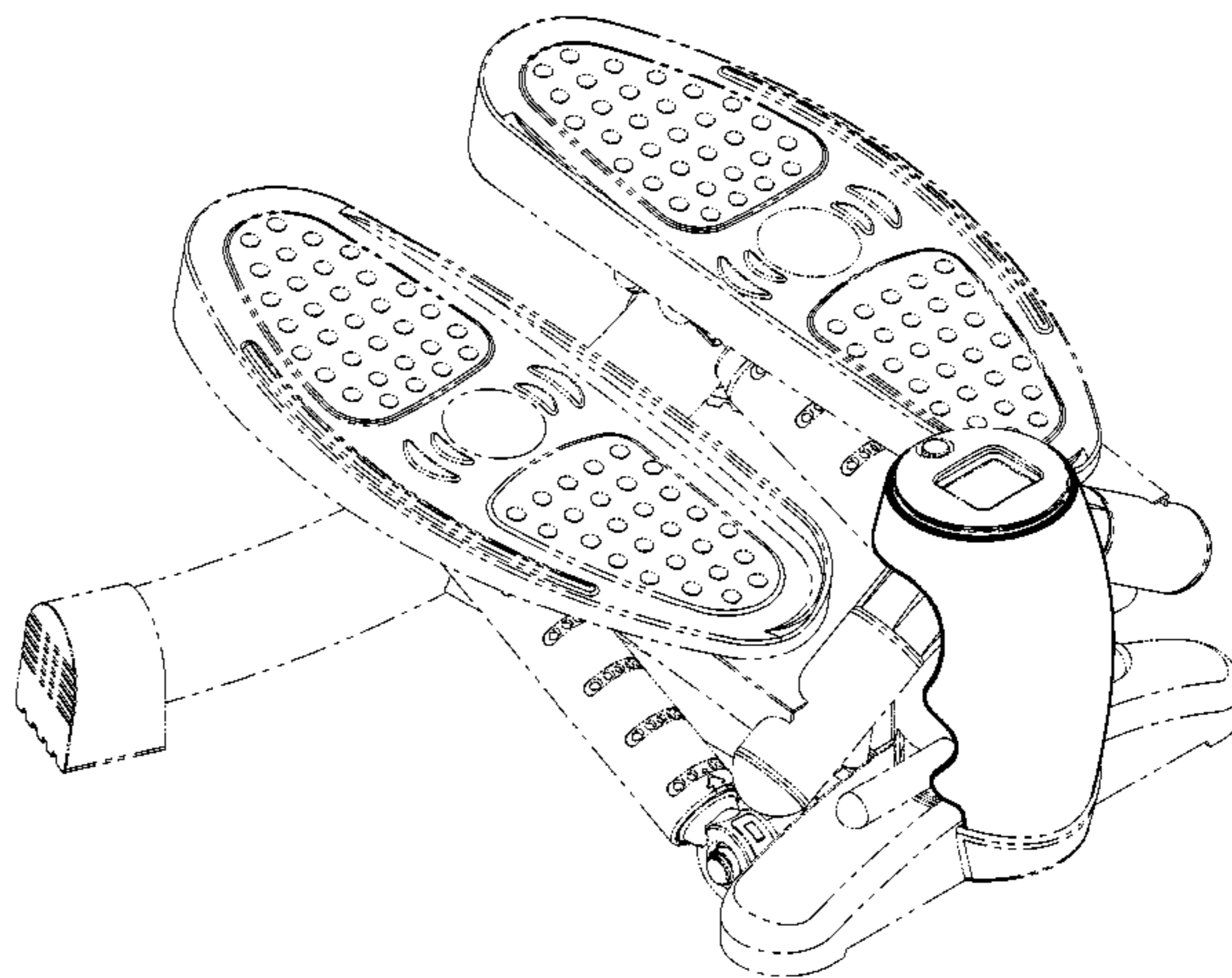
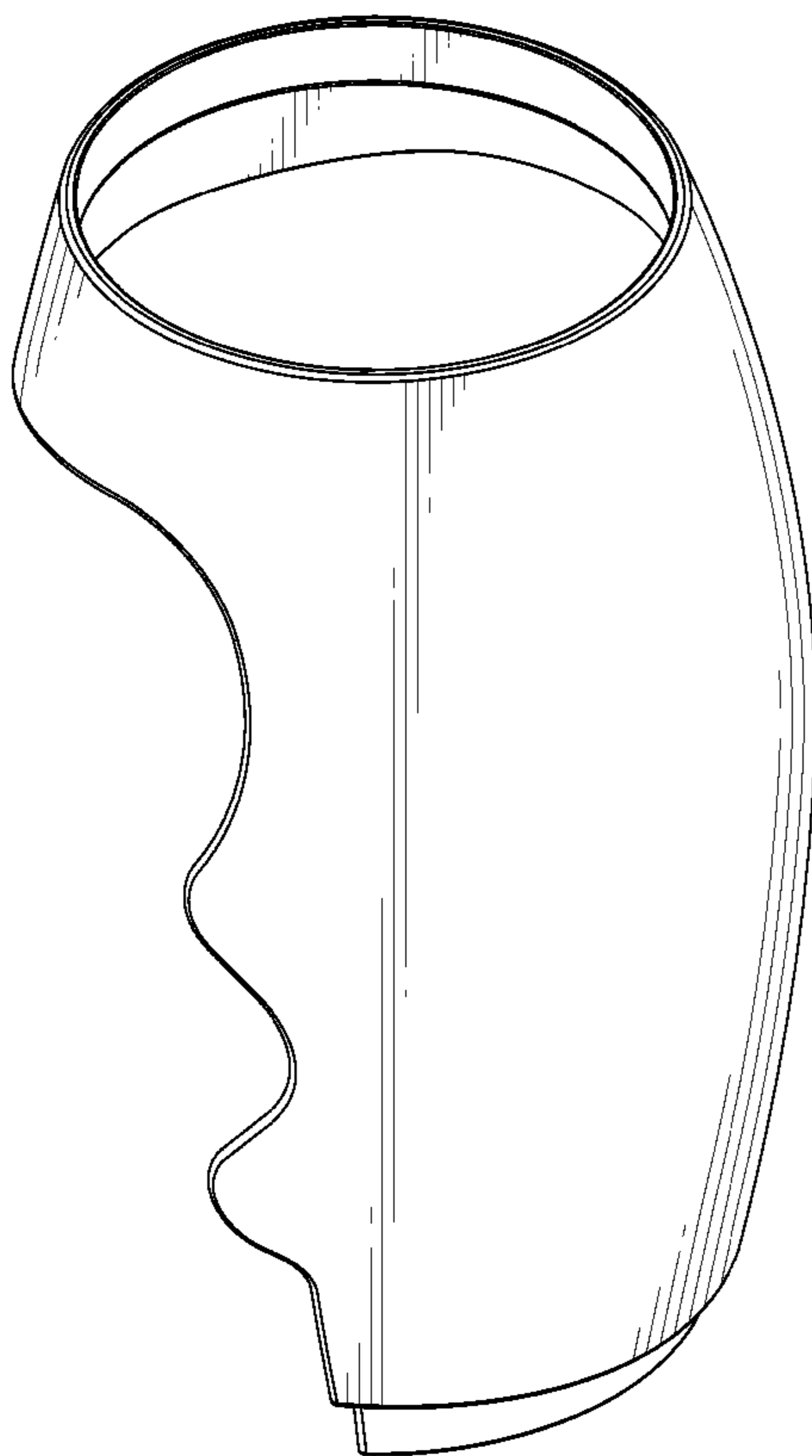
FIG. 8 is another perspective view thereof, with the stepper engaged;

FIG. 9 is another perspective view thereof, with the stepper engaged; and,

FIG. 10 is still another perspective view thereof, with the stepper engaged.

The broken lines showing a stepper illustrates environmental structure which form no part of the claimed design.

**1 Claim, 10 Drawing Sheets**



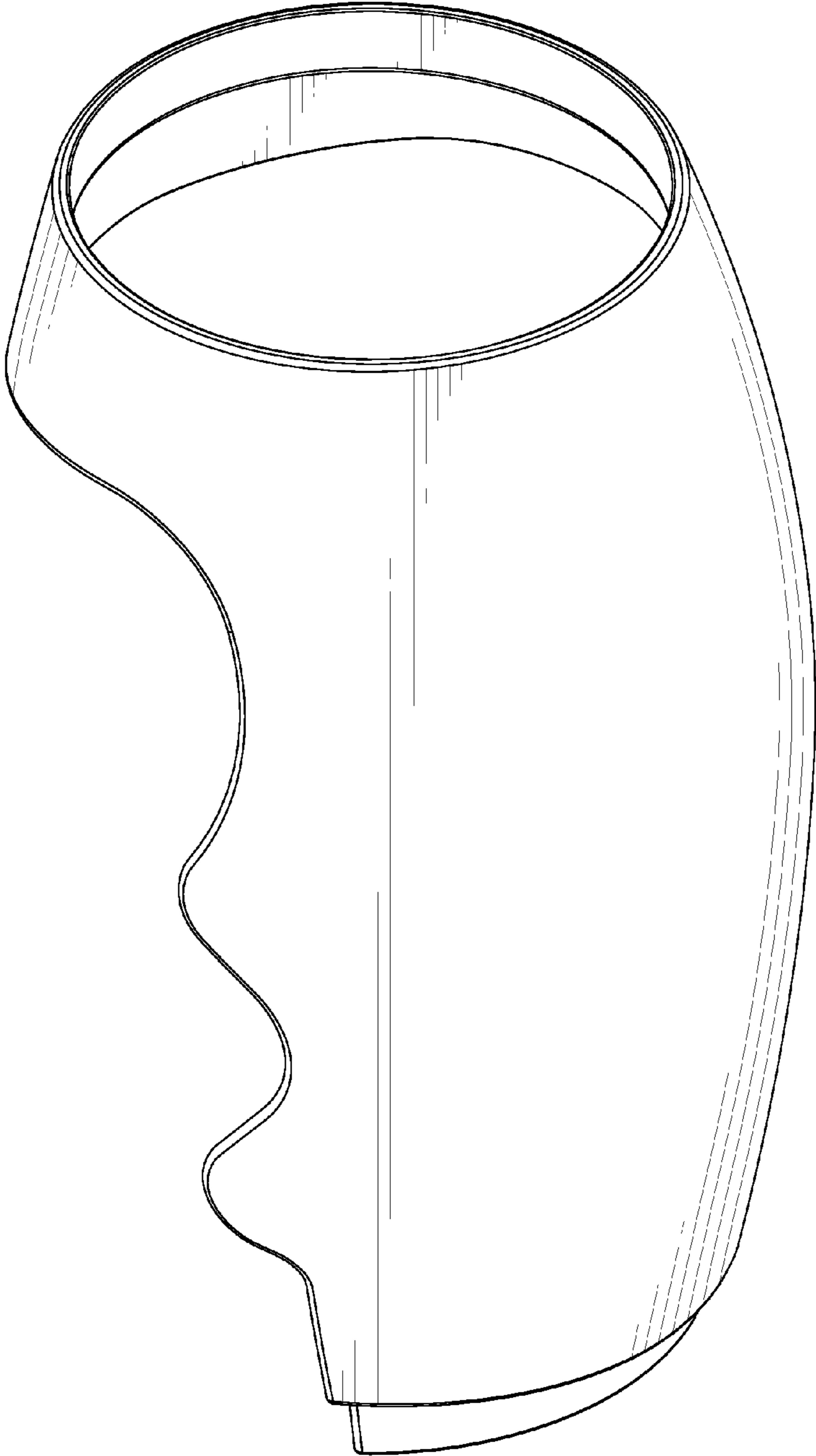


FIG.1

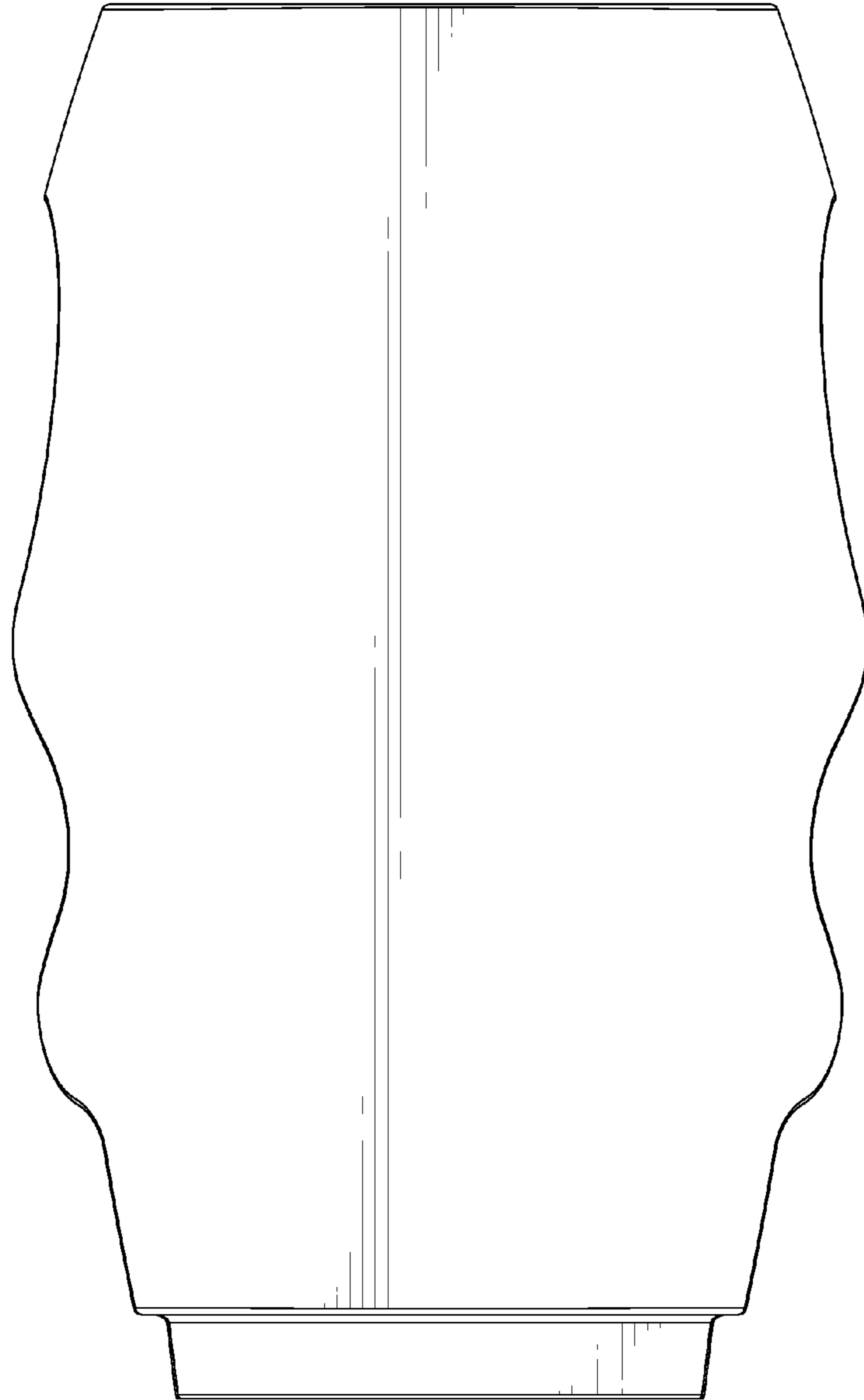


FIG.2

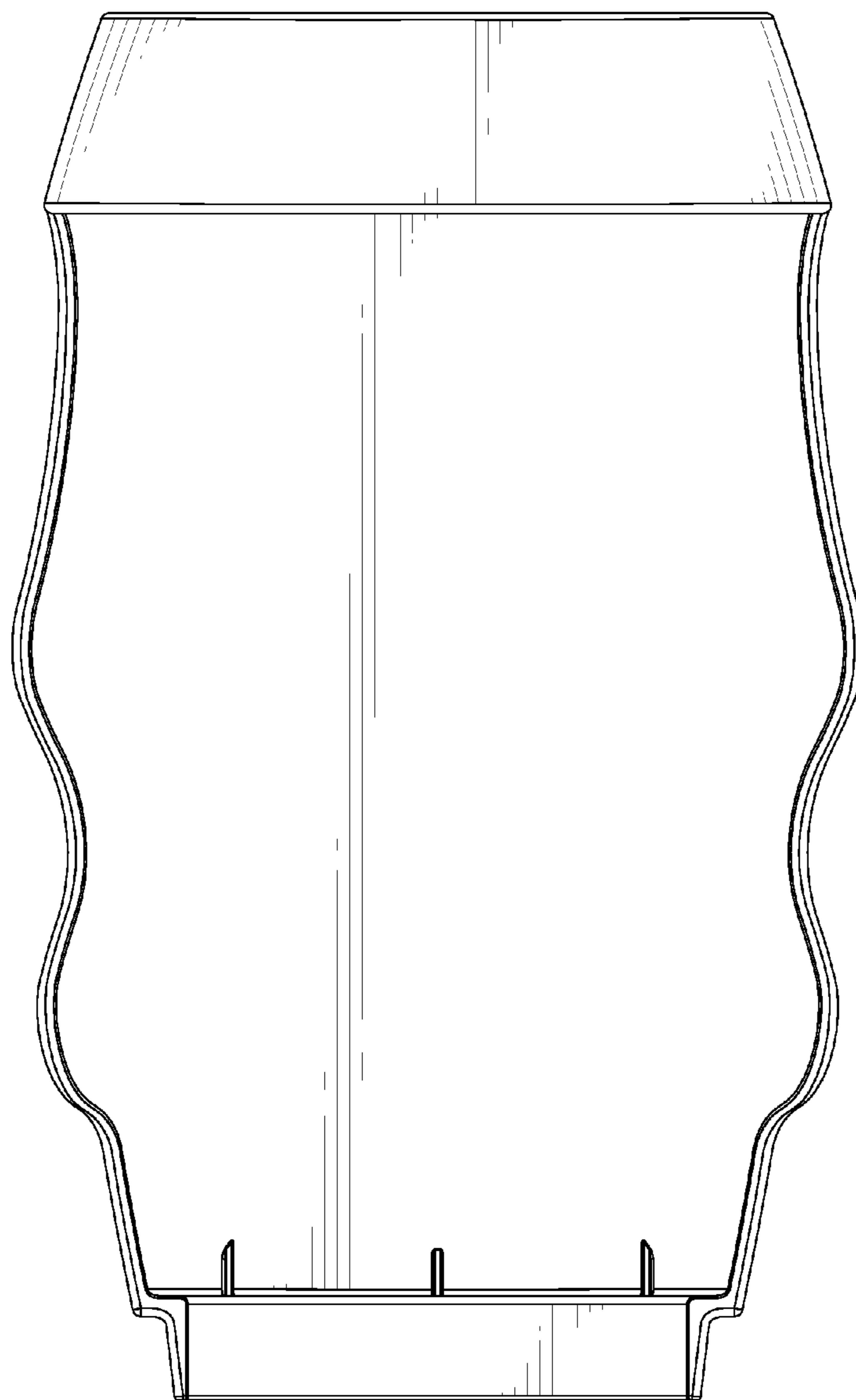


FIG.3

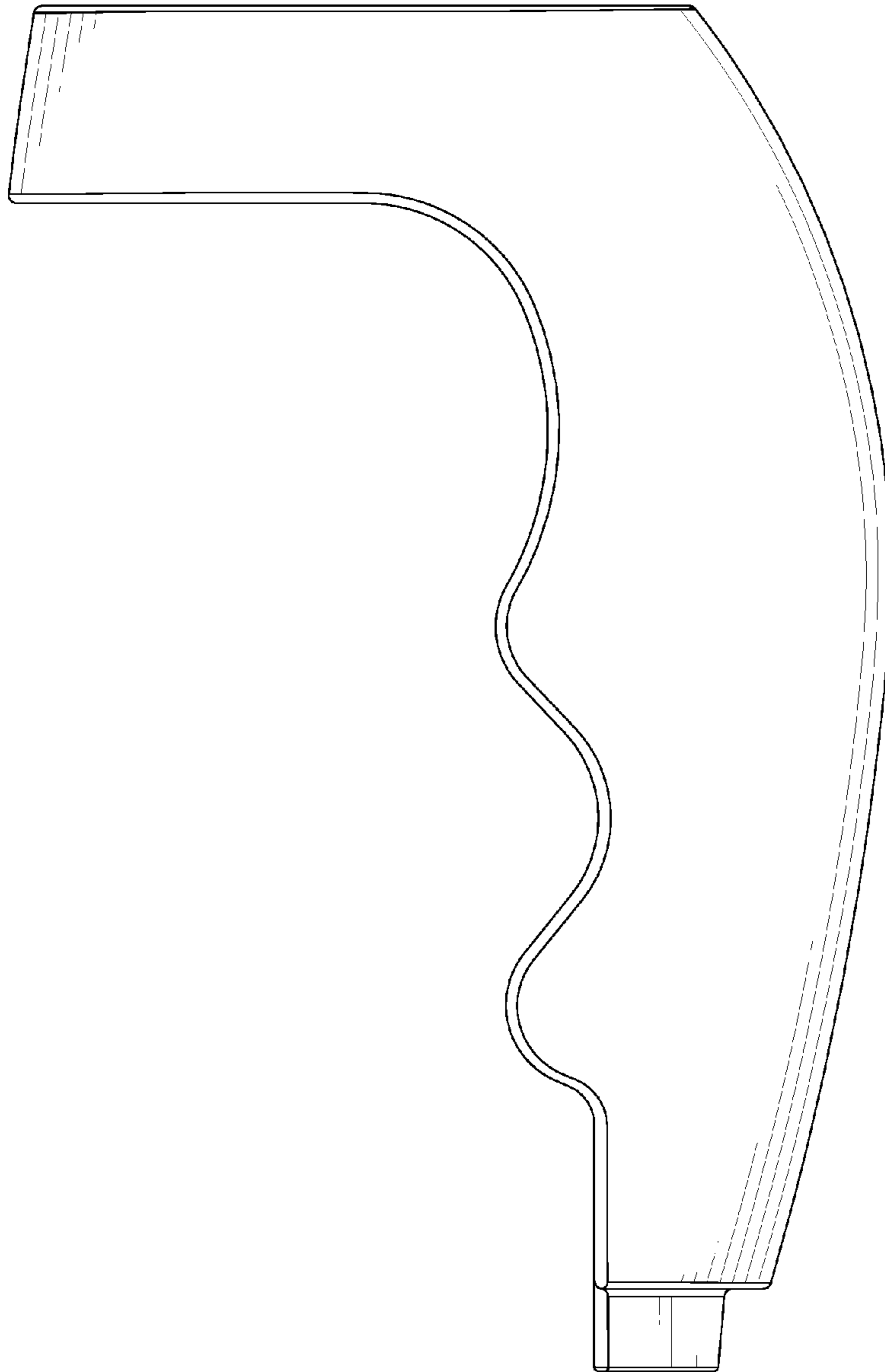


FIG.4

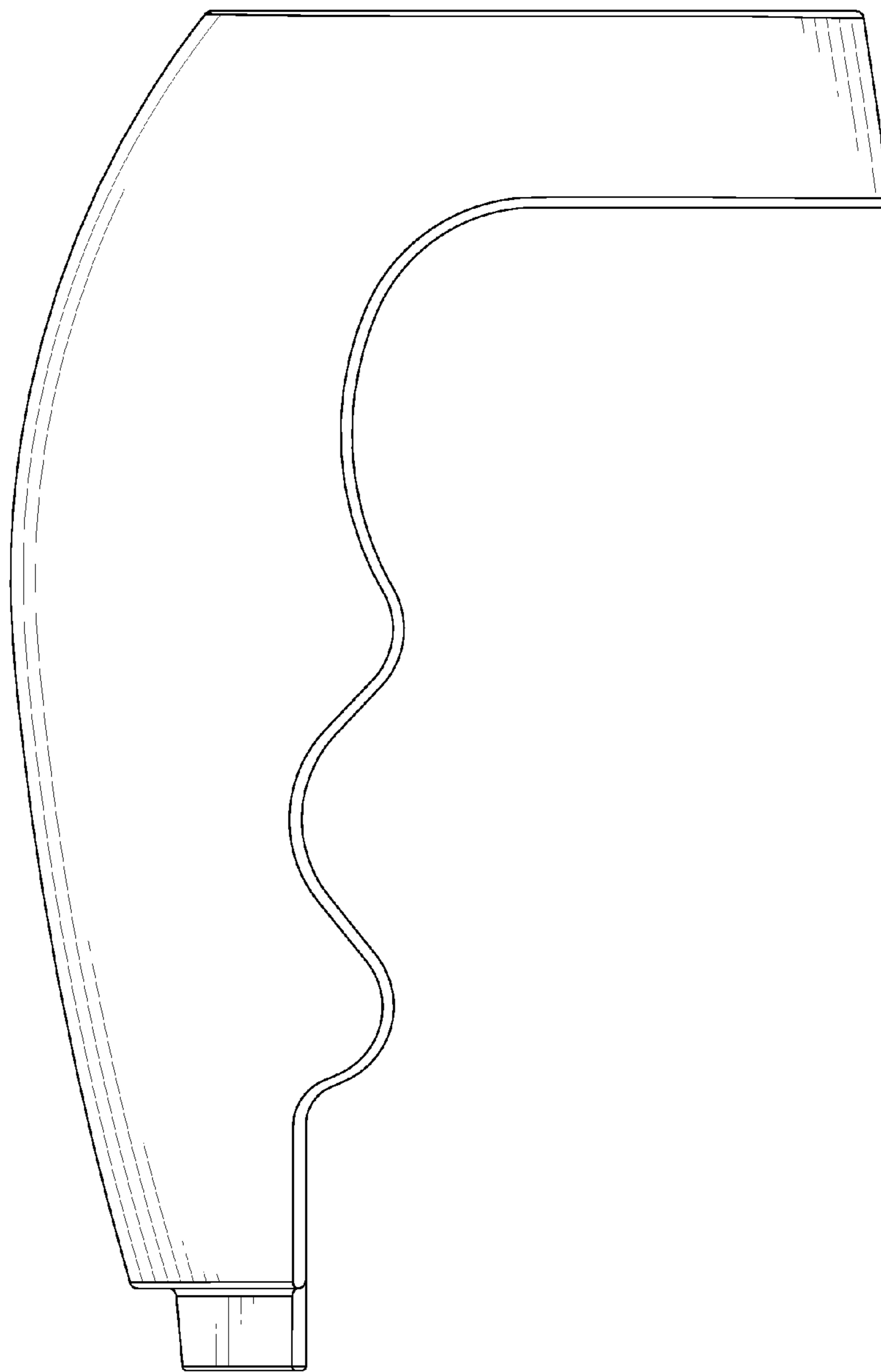


FIG.5

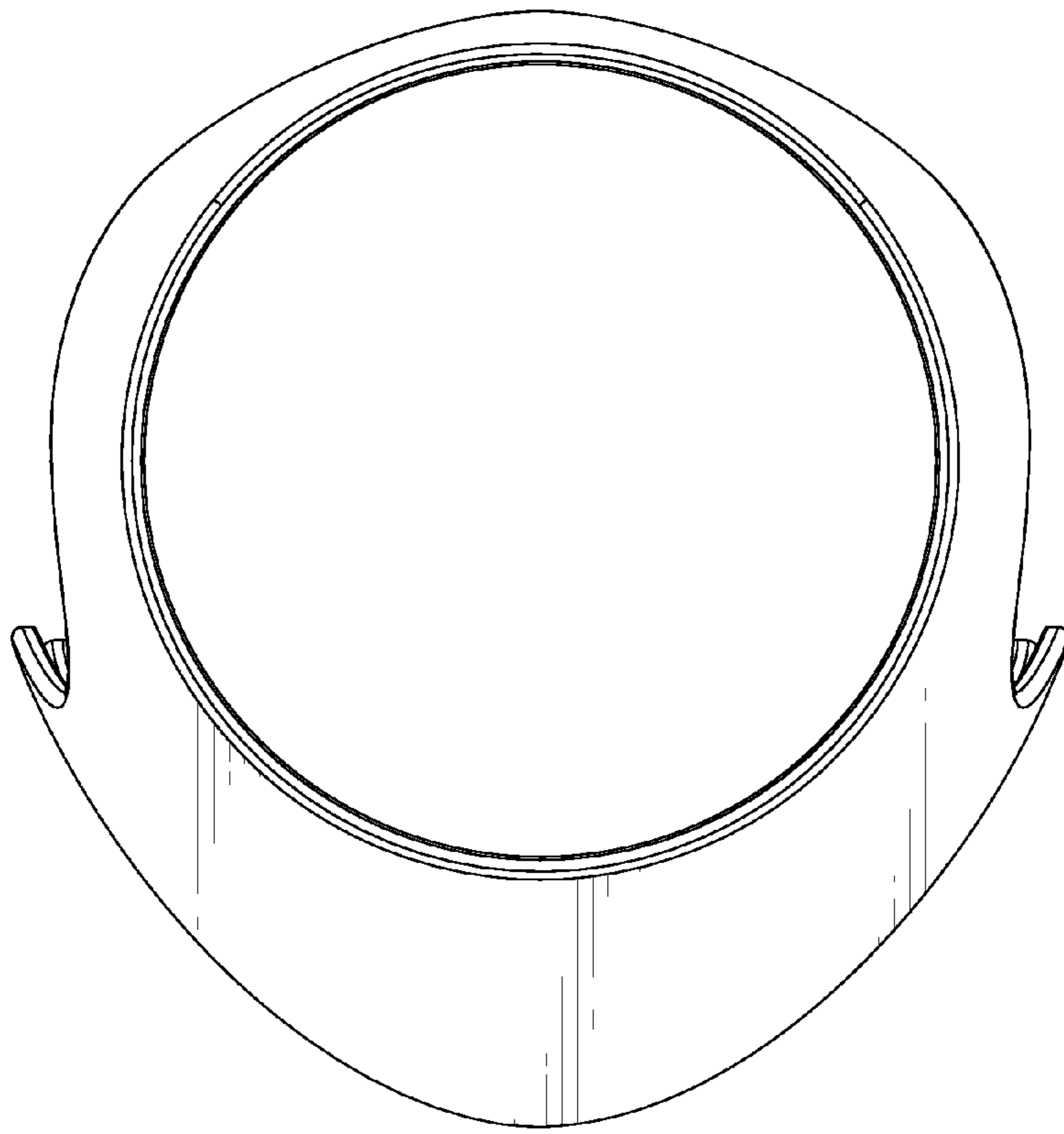


FIG.6

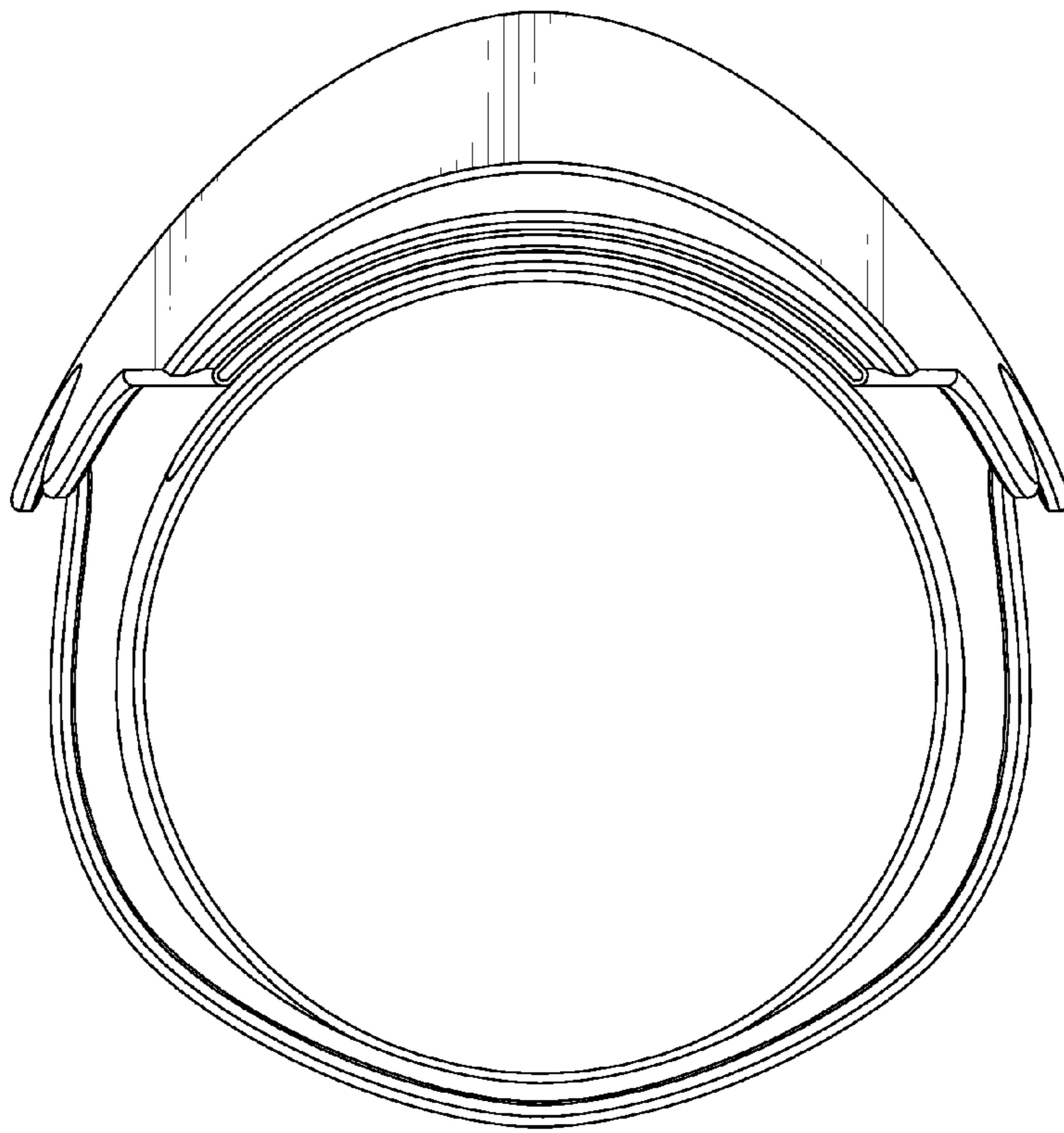


FIG.7



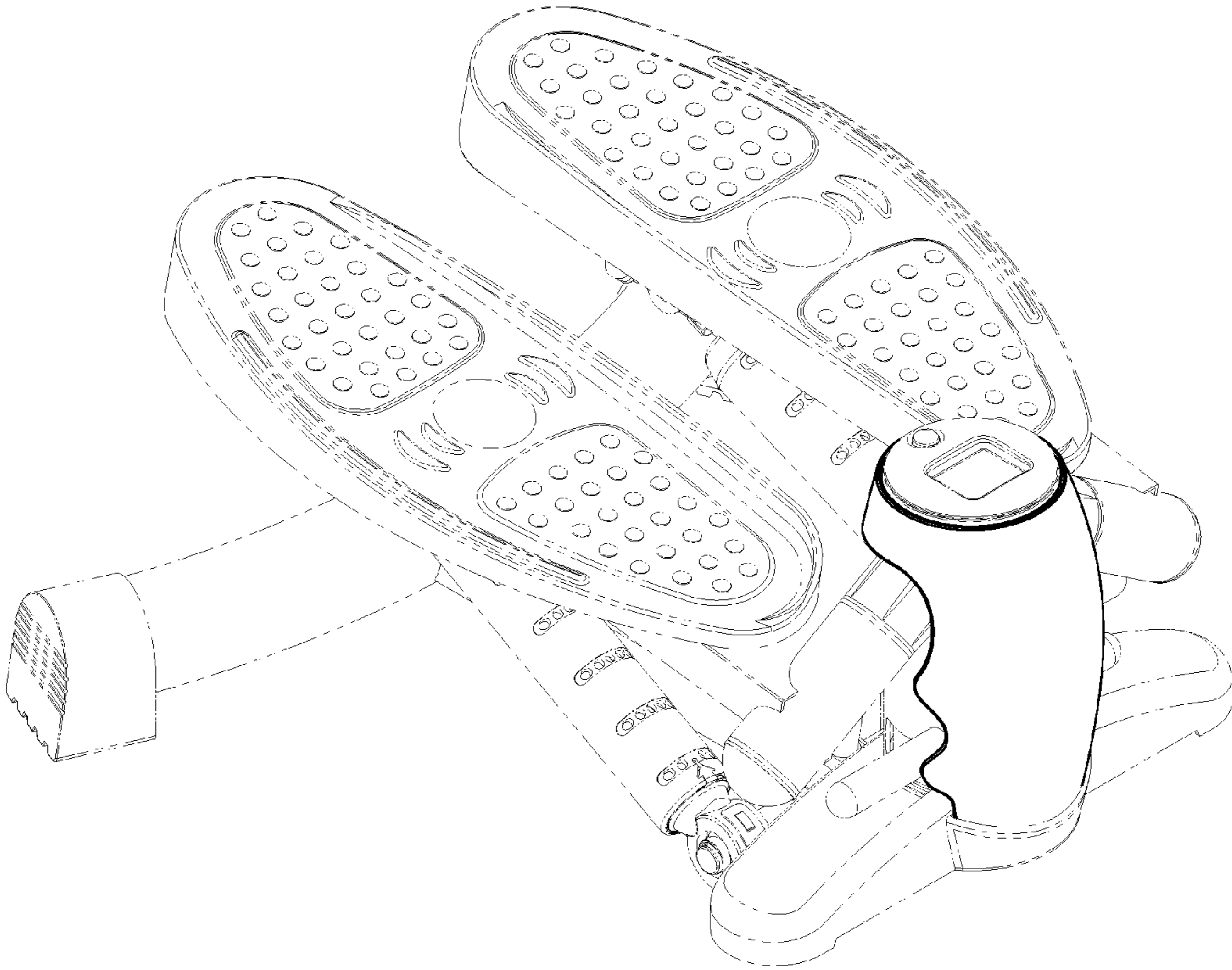


FIG. 8

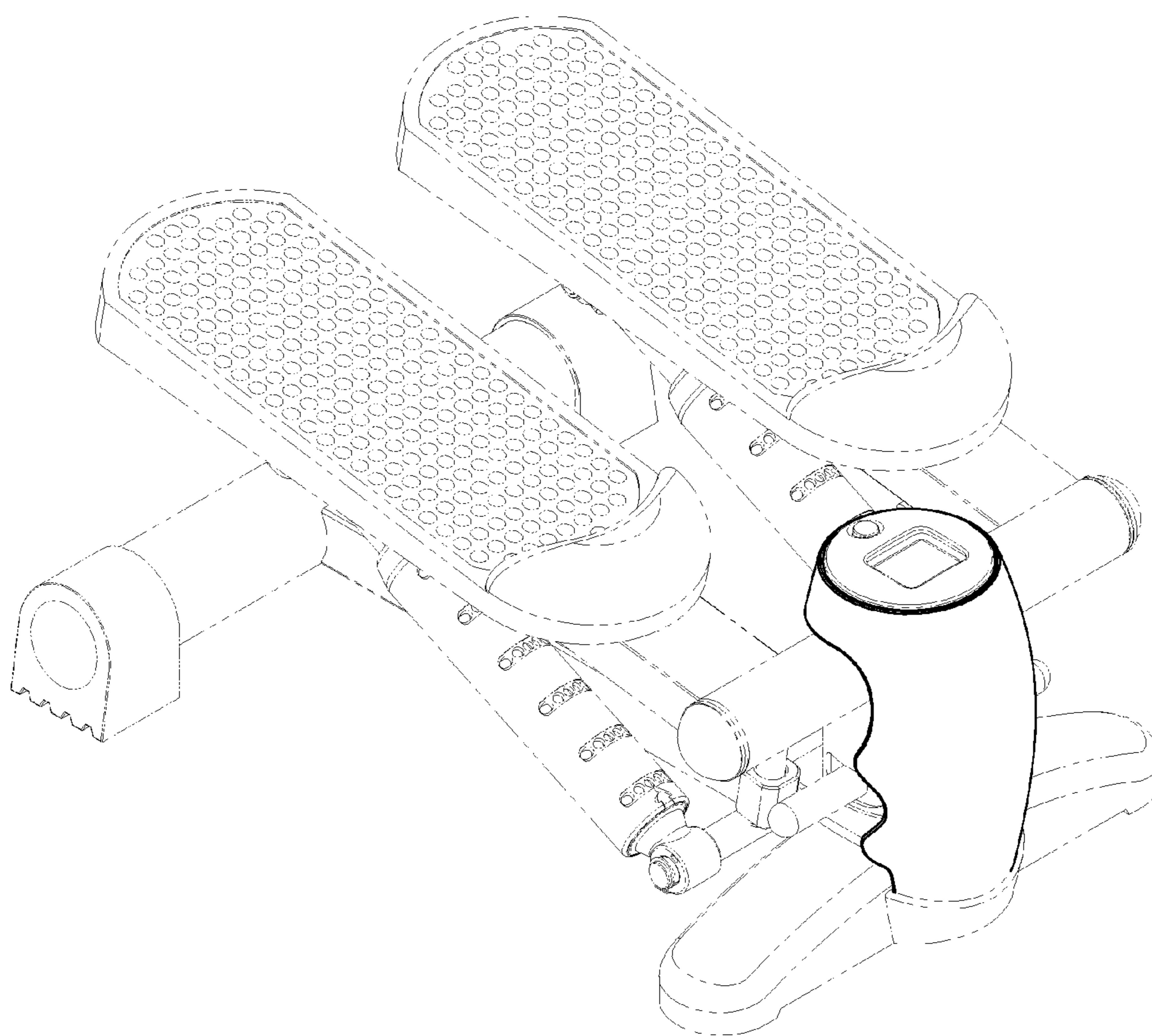


FIG. 9

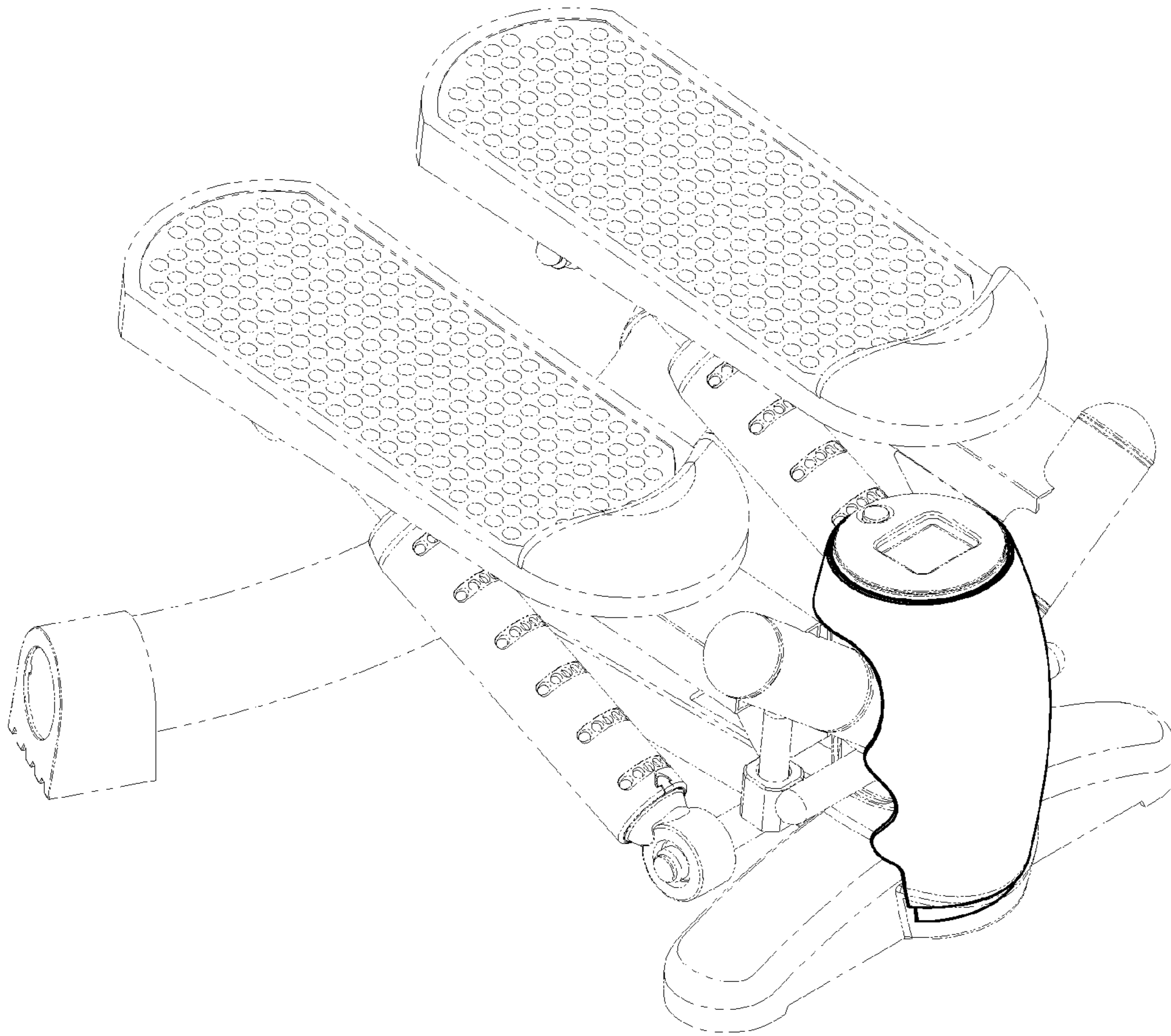


FIG. 10