



US00D648813S

(12) **United States Design Patent**  
**Dedvukaj**

(10) **Patent No.:** **US D648,813 S**

(45) **Date of Patent:** **\*\* Nov. 15, 2011**

(54) **FACIAL MUSCLE EXERCISE DEVICE**

(75) **Inventor:** **Robert Dedvukaj**, Yonkers, NY (US)

(73) **Assignee:** **Ball It, Inc.**, Yonkers, NY (US)

(\*\*) **Term:** **14 Years**

(21) **Appl. No.:** **29/359,938**

(22) **Filed:** **Apr. 16, 2010**

(51) **LOC (9) Cl.** ..... **21-02**

(52) **U.S. Cl.** ..... **D21/692; D21/662**

(58) **Field of Classification Search** ..... D21/662,  
D21/692-693; D24/191; 482/10, 11, 91,  
482/92, 112, 122, 128, 131; 297/392; 128/DIG. 23,  
128/848, 857; 601/39  
See application file for complete search history.

(56) **References Cited**

**U.S. PATENT DOCUMENTS**

3,497,217	A *	2/1970	Feather	.....	482/10
D282,949	S	3/1986	Arve		
5,005,826	A	4/1991	Merrick		
D370,243	S	5/1996	Thompson		
D370,951	S	6/1996	Lazar		
D388,846	S	1/1998	Burghoffer		
D397,173	S	8/1998	Edell		
D403,381	S	12/1998	Hanna		
5,971,890	A	10/1999	Tyne		
D425,583	S	5/2000	Tyne		
6,171,214	B1 *	1/2001	Lundin	.....	482/10
6,203,470	B1	3/2001	Lundin		
D455,182	S	4/2002	Chu		
D456,051	S	4/2002	Mitchell		

D464,095	S	10/2002	Yu		
6,547,703	B1	4/2003	Swezey		
D478,947	S	8/2003	Lu		
D486,192	S *	2/2004	Pointer, Jr.	.....	D21/692
D494,233	S	8/2004	Kerry		
D498,799	S	11/2004	Kerry		
D503,756	S	4/2005	Chiang		
D521,084	S	5/2006	Huang		
7,214,205	B2	5/2007	Sils		
D552,696	S	10/2007	Hallar		
7,306,550	B2	12/2007	Lin		
7,500,279	B2 *	3/2009	Jackson	.....	5/657
D622,333	S *	8/2010	Eckermann	.....	D21/662
D628,662	S *	12/2010	Heller	.....	D21/692
2007/0225137	A1	9/2007	Mednick		

\* cited by examiner

*Primary Examiner* — Susan E Krakower

(74) *Attorney, Agent, or Firm* — Wilson IP Law; M. Lisa Wilson

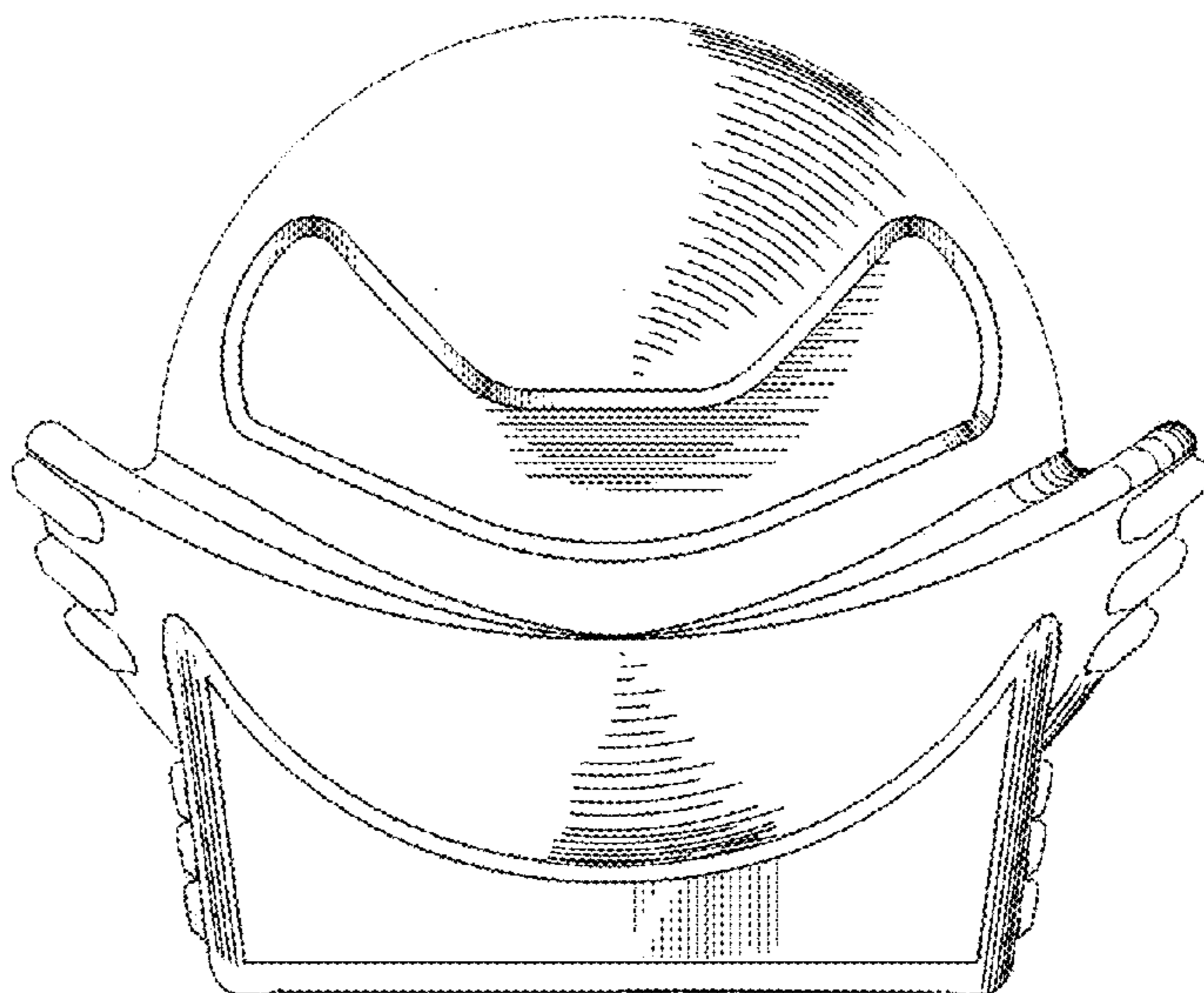
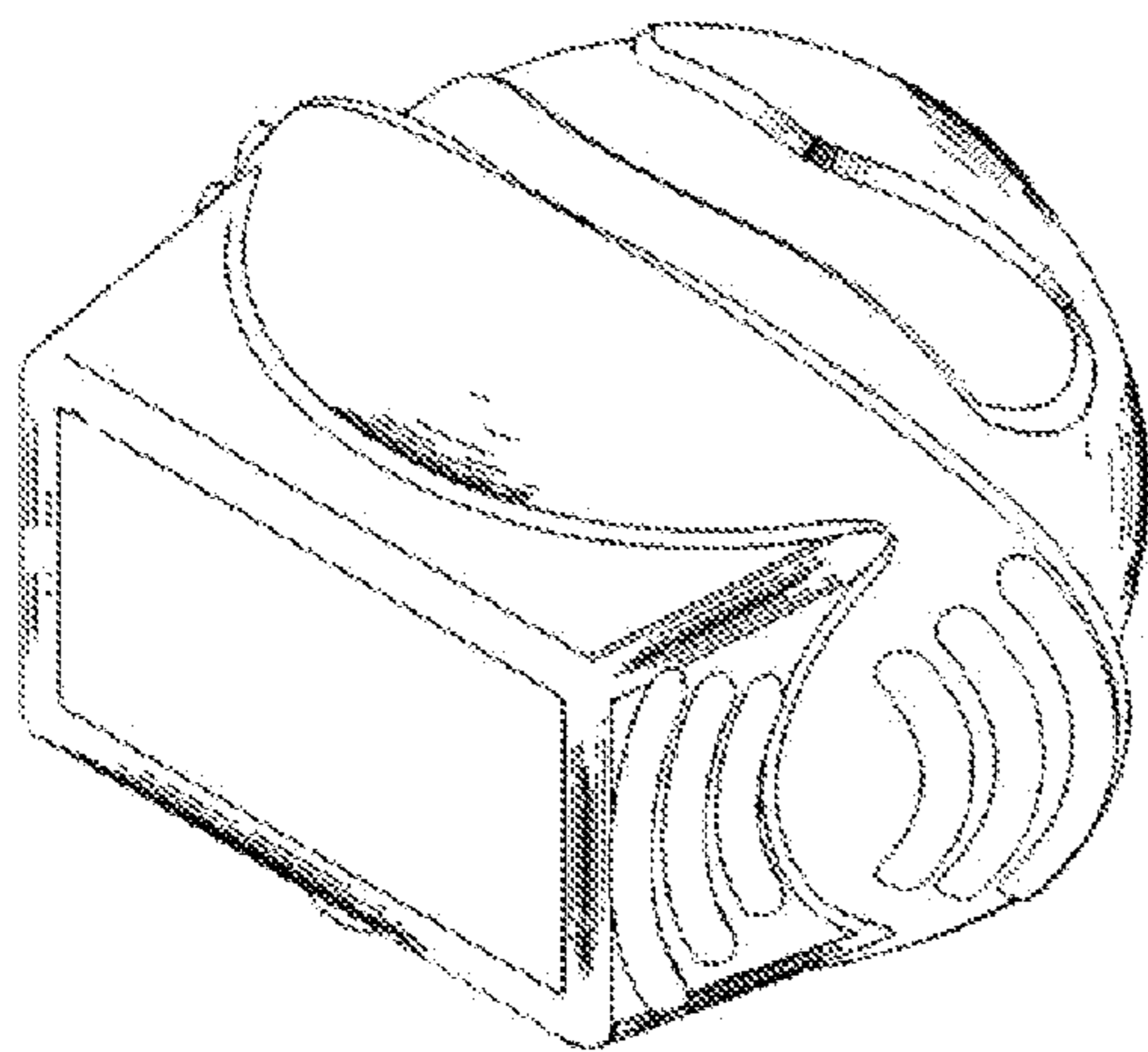
(57) **CLAIM**

The ornamental design for a facial muscle exercise device, as shown and described.

**DESCRIPTION**

FIG. 1 is a perspective view of a facial muscle exercise device showing my new design;  
FIG. 2 is a front view thereof;  
FIG. 3 is a top view thereof;  
FIG. 4 is a right side view thereof, the opposite side being a mirror image thereof;  
FIG. 5 is a rear view thereof; and,  
FIG. 6 is a bottom view thereof.

**1 Claim, 3 Drawing Sheets**



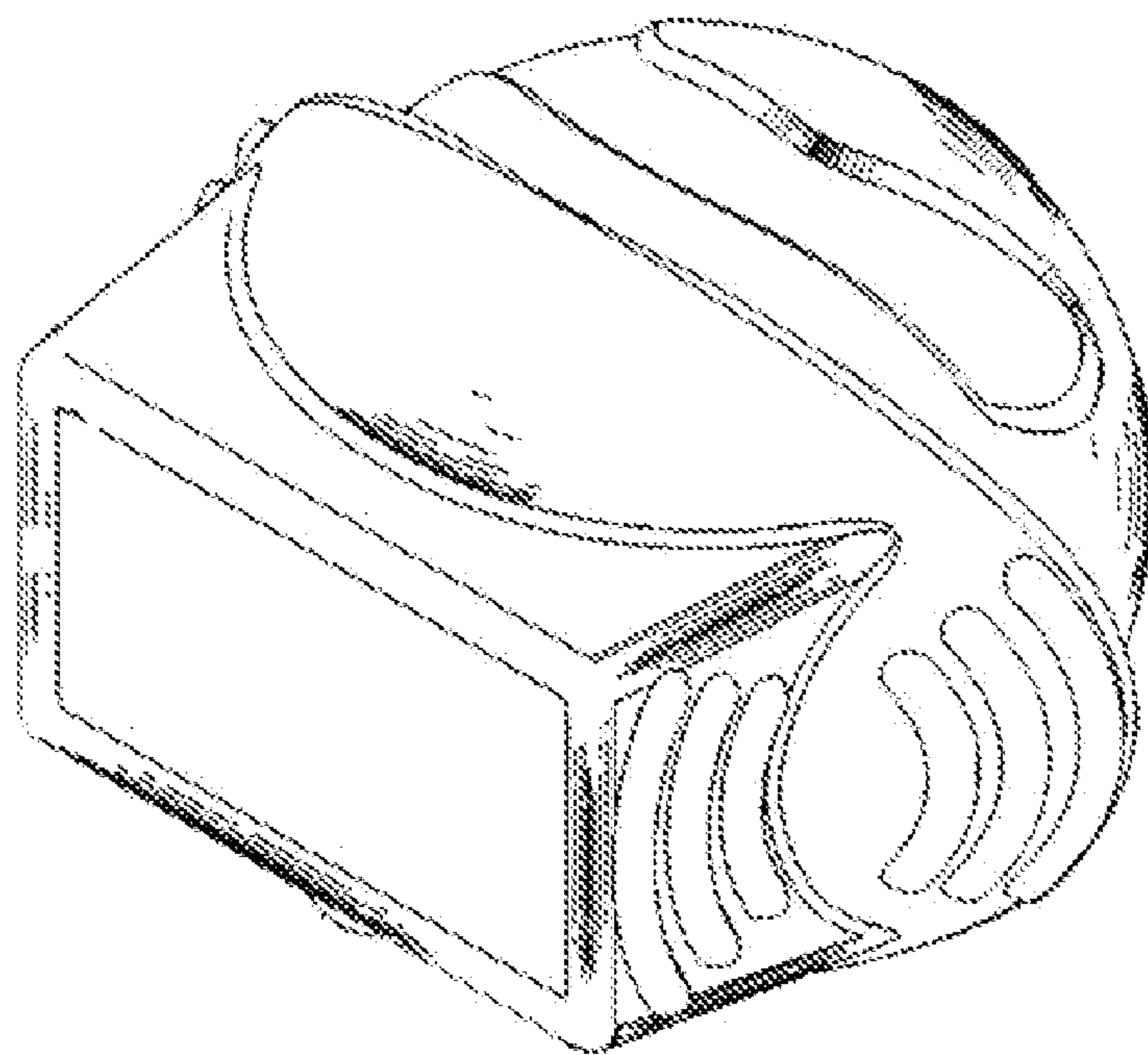


Fig. 1

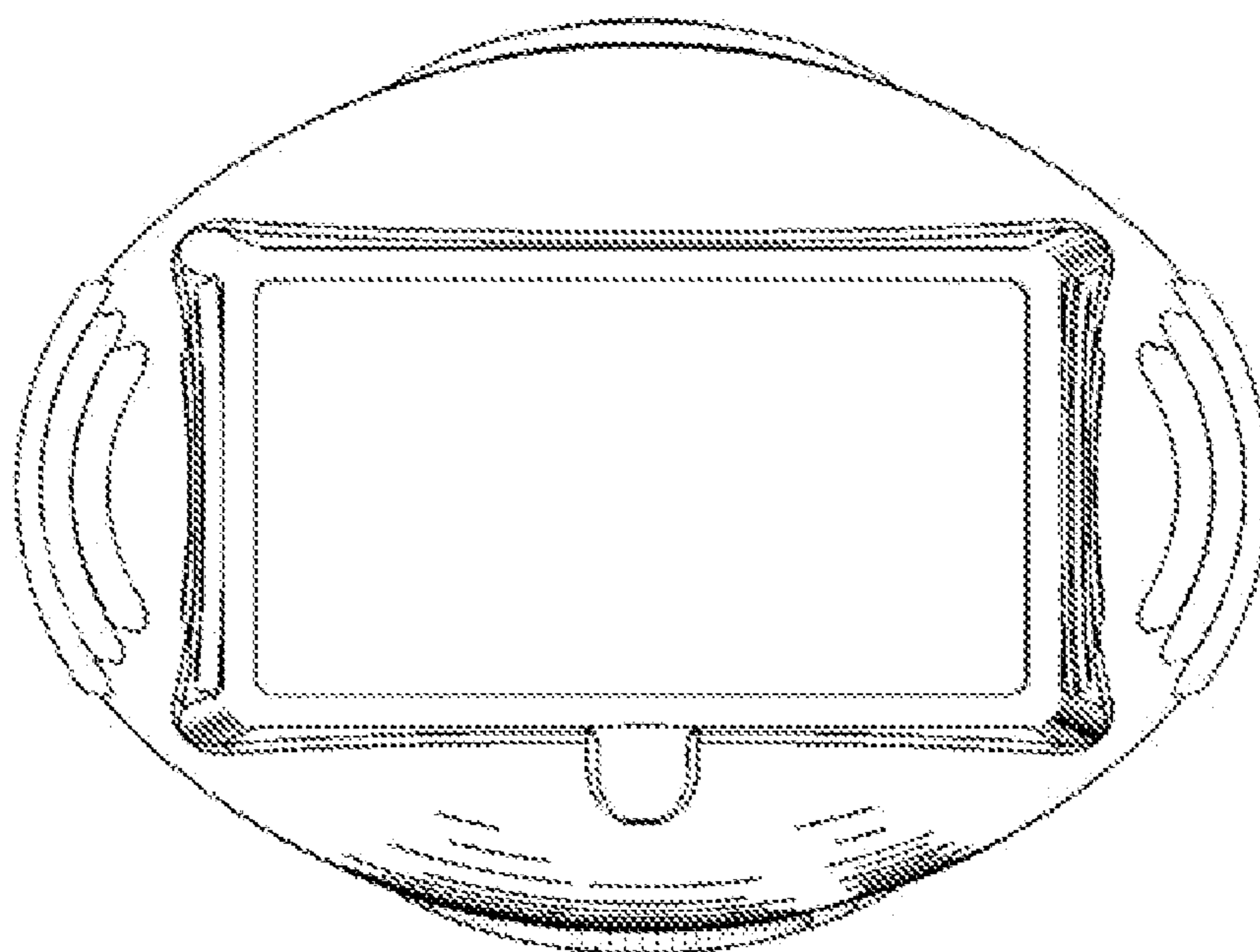


Fig. 2

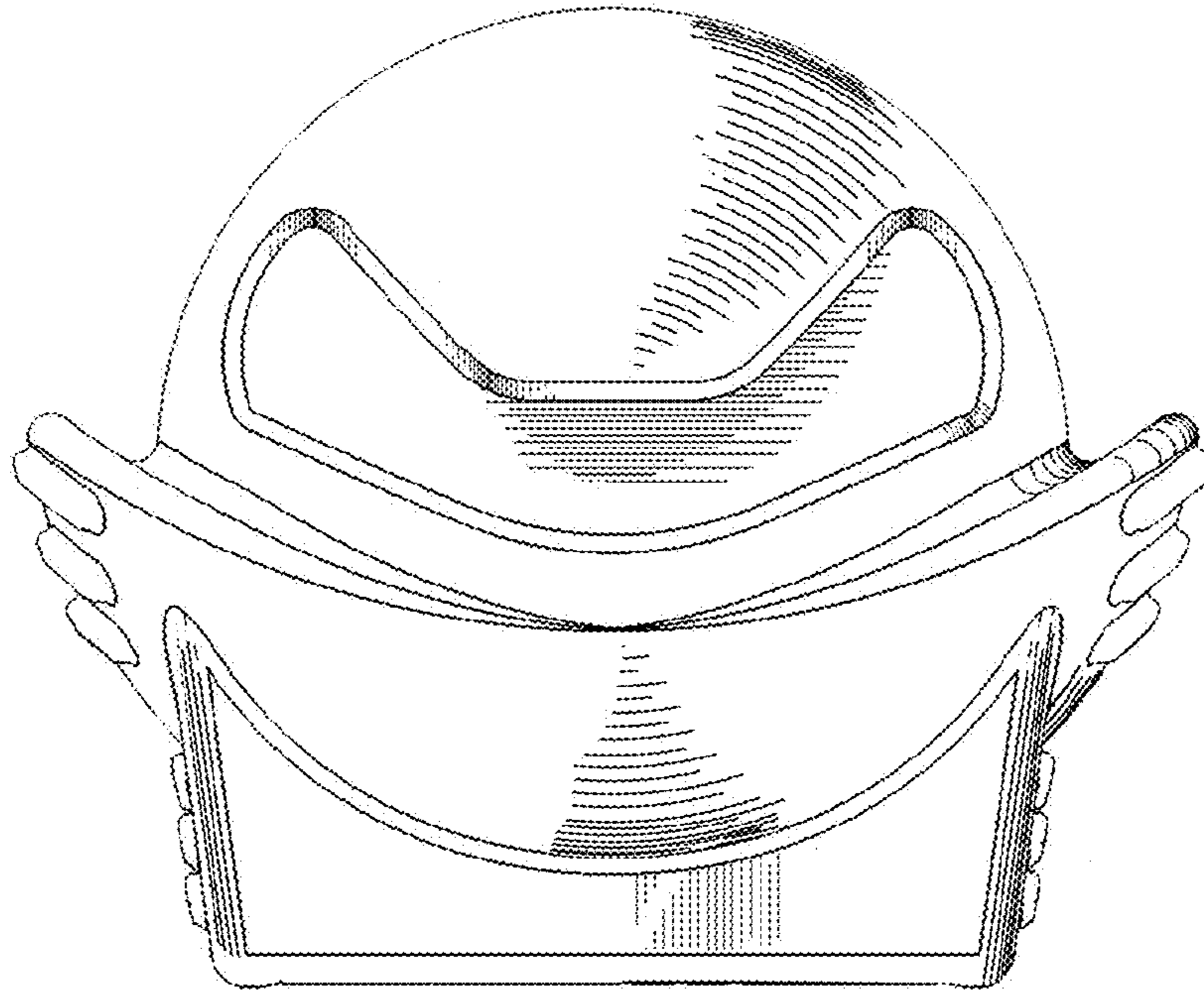


Fig. 3

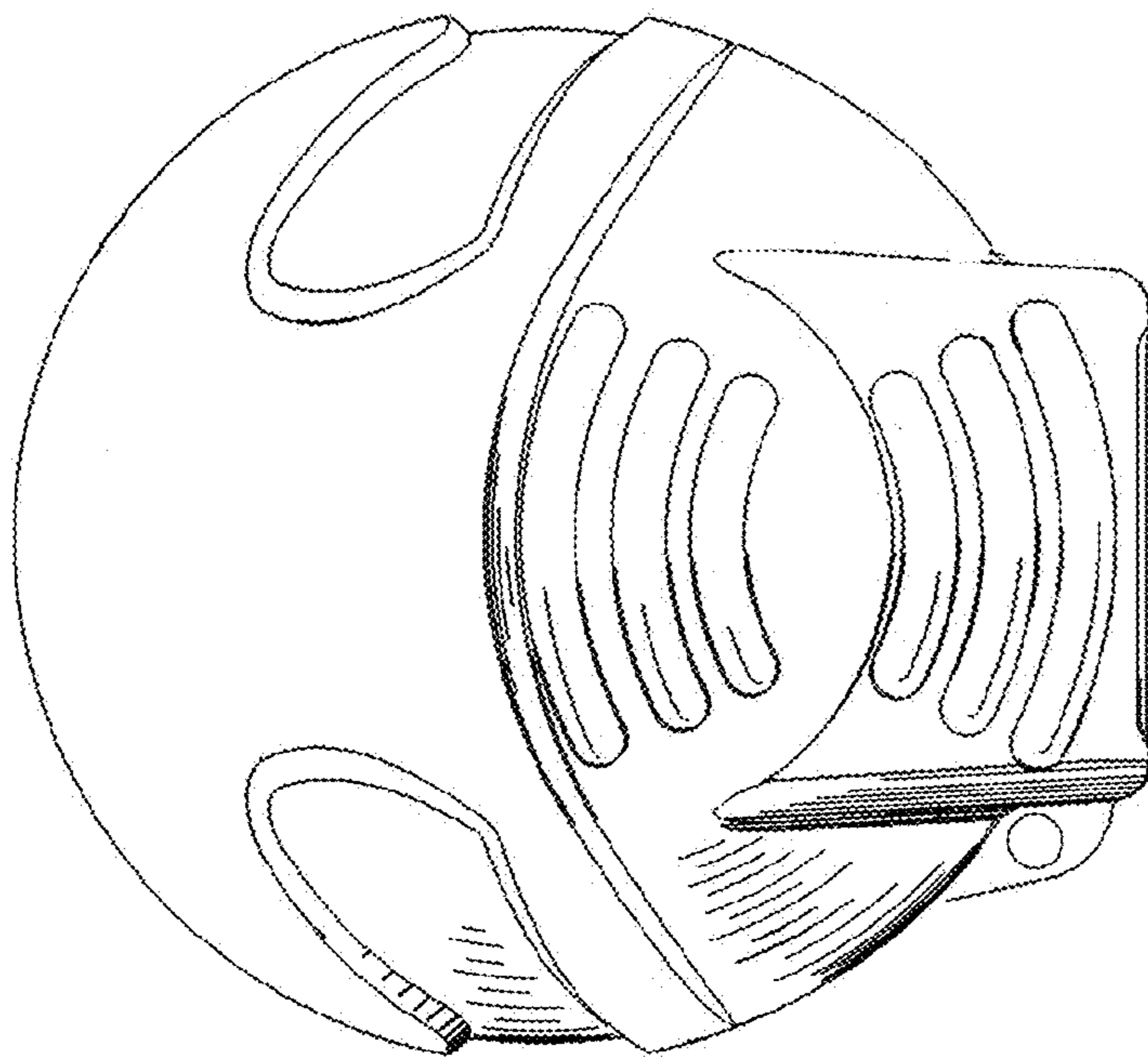


Fig. 4

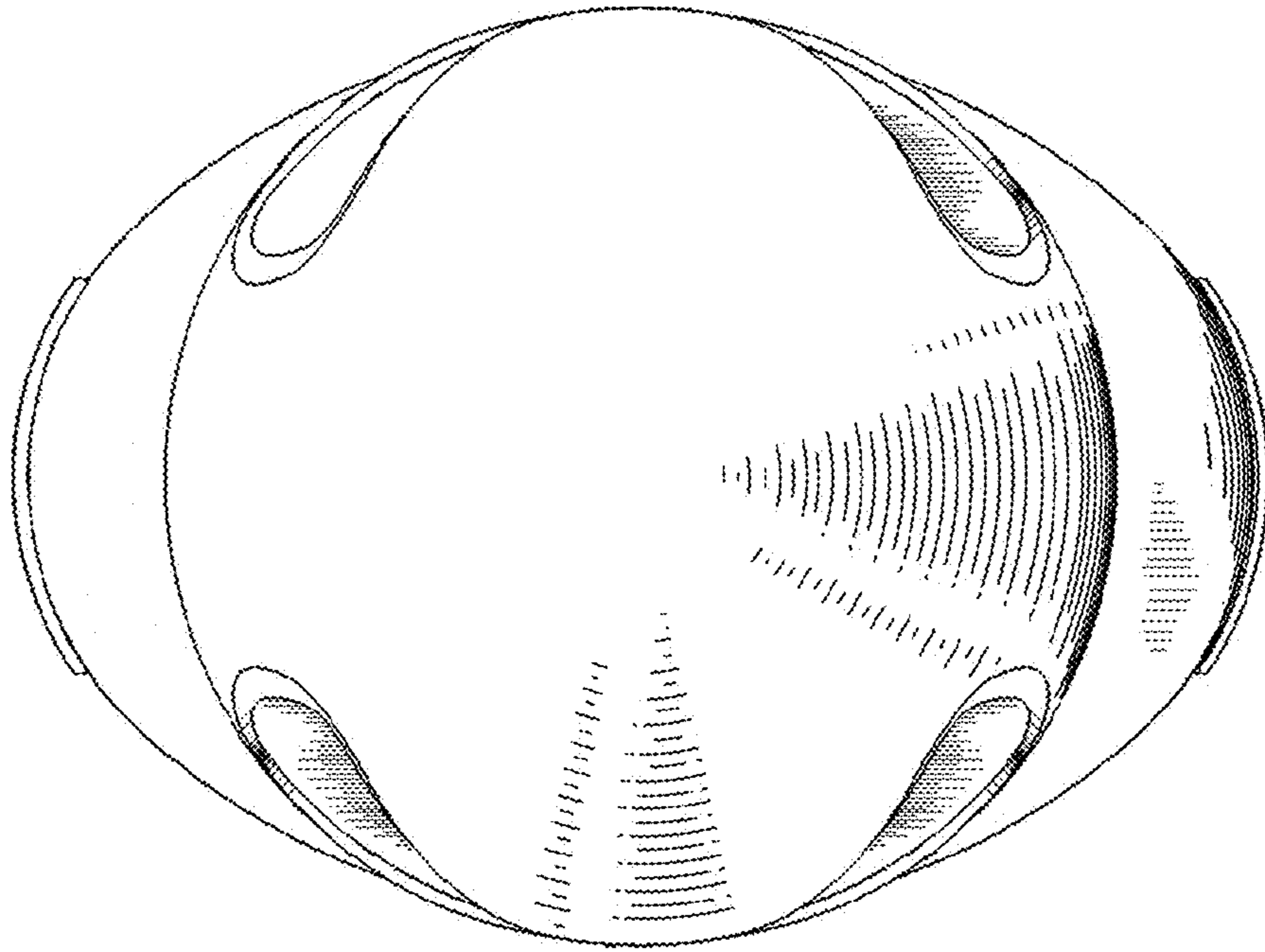


Fig. 5

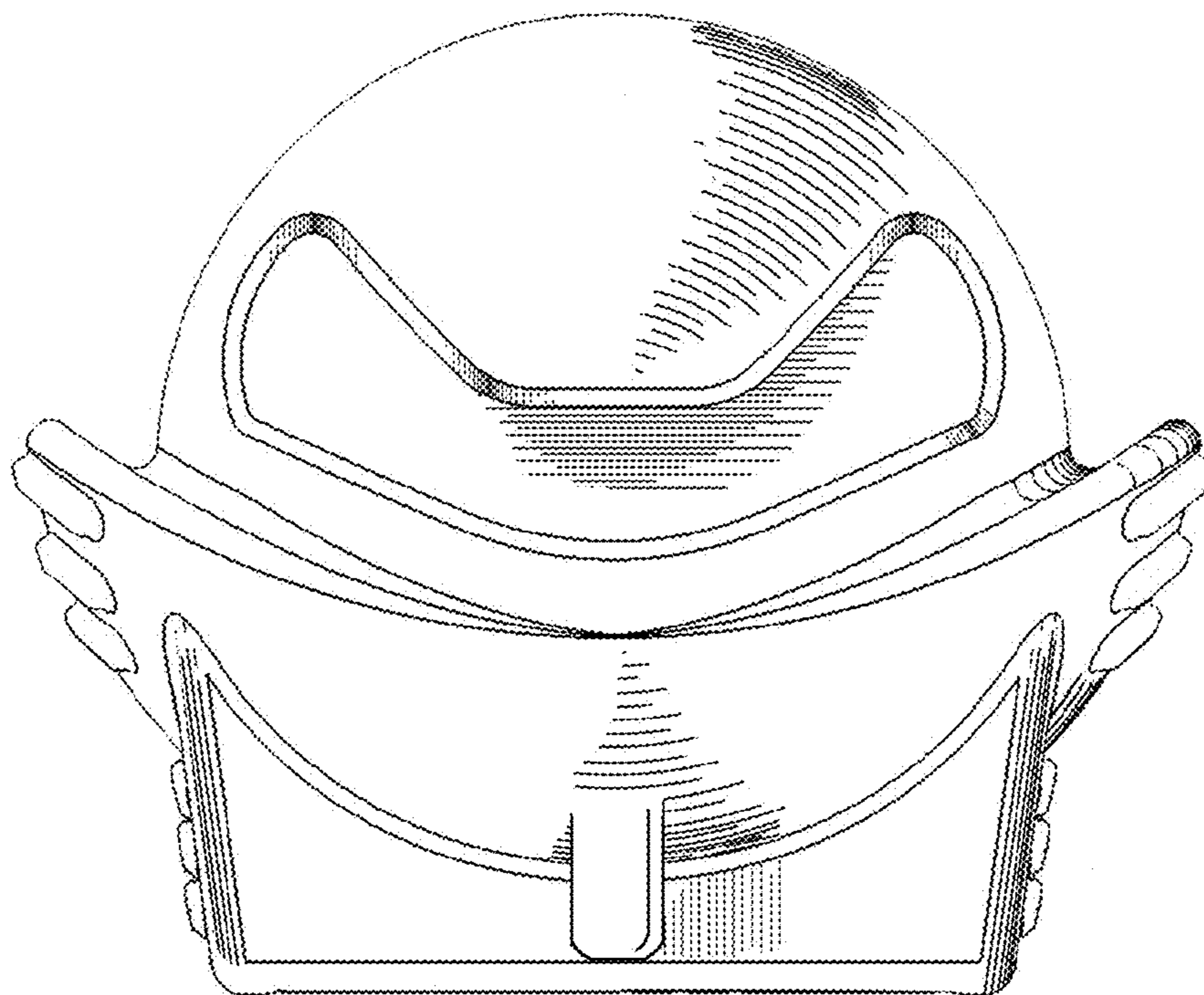


Fig. 6