

US00D648811S

(12) **United States Design Patent**
En

(10) **Patent No.:** **US D648,811 S**

(45) **Date of Patent:** **** Nov. 15, 2011**

(54) **MODULAR TACTICAL AIRSOFT BB CARBINE**

(75) **Inventor:** **David En**, South El Monte, CA (US)

(73) **Assignee:** **Jag Precision, Inc.**, South El Monte, CA (US)

(**) **Term:** **14 Years**

(21) **Appl. No.:** **29/315,750**

(22) **Filed:** **Jul. 21, 2009**

(51) **LOC (9) Cl.** **21-01**

(52) **U.S. Cl.** **D21/573**

(58) **Field of Classification Search** D21/333,
D21/401, 461, 514, 567, 568, 570-575; D22/100,
D22/101, 103, 104, 105, 108-110; D14/418;
446/23, 182, 192, 401, 403, 405-407, 473,
446/475; 124/16, 26, 27, 28, 29, 54, 73-77;
222/78, 79; 42/54, 57, 58, 71.01, 72, 105,
42/124

See application file for complete search history.

(56) **References Cited**

U.S. PATENT DOCUMENTS

D199,854 S *	12/1964	Constan	D21/573
D201,190 S *	5/1965	Constan	D21/573
D201,366 S *	6/1965	Chambers et al.	D22/103
D205,231 S *	7/1966	Blumenthal	D21/573
D208,558 S *	9/1967	Campbell	D21/514
D251,979 S *	5/1979	Hance	D22/103
D285,327 S *	8/1986	Yano	D21/573
D290,153 S *	6/1987	Reaume	D22/100
D303,130 S *	8/1989	Noble	D21/573
D303,418 S *	9/1989	Miller et al.	D22/103
D303,419 S *	9/1989	Miller et al.	D22/104
D344,108 S *	2/1994	Shirai et al.	D21/573
D354,999 S *	1/1995	Arad	D21/573
D355,224 S *	2/1995	Arad et al.	D21/570
D385,586 S *	10/1997	Hanatani et al.	D21/573
6,499,245 B1 *	12/2002	Swan	42/71.01

6,839,998 B1 *	1/2005	Armstrong	42/71.01
6,895,708 B2 *	5/2005	Kim et al.	42/72
D516,660 S *	3/2006	Murello et al.	D22/103
D532,836 S *	11/2006	Shih	D21/573
7,216,451 B1 *	5/2007	Troy	42/72
D547,818 S *	7/2007	Wolfe et al.	D22/103
D556,289 S *	11/2007	Yu	D22/108
2001/0042334 A1 *	11/2001	Weichert et al.	42/105
2005/0000142 A1 *	1/2005	Kim et al.	42/124
2005/0075044 A1 *	4/2005	Cheng et al.	446/475

* cited by examiner

Primary Examiner — Cynthia M Chin

(74) *Attorney, Agent, or Firm* — Thomas I. Rozsa

(57) **CLAIM**

The ornamental design for a modular tactical airsoft BB carbine, as shown and described.

DESCRIPTION

FIG. 1 is a side perspective view of the modular tactical airsoft BB carbine, showing my design, with no cartridge installed, and portions of the article shown in broken lines form no part of the claimed design;

FIG. 2 is a right side view thereof, and portions of the article shown in broken lines form no part of the claimed design;

FIG. 3 is a left side view thereof, and portions of the article shown in broken lines form no part of the claimed design;

FIG. 4 is a top view thereof;

FIG. 5 is a bottom view thereof, and portions of the article shown in broken lines form no part of the claimed design;

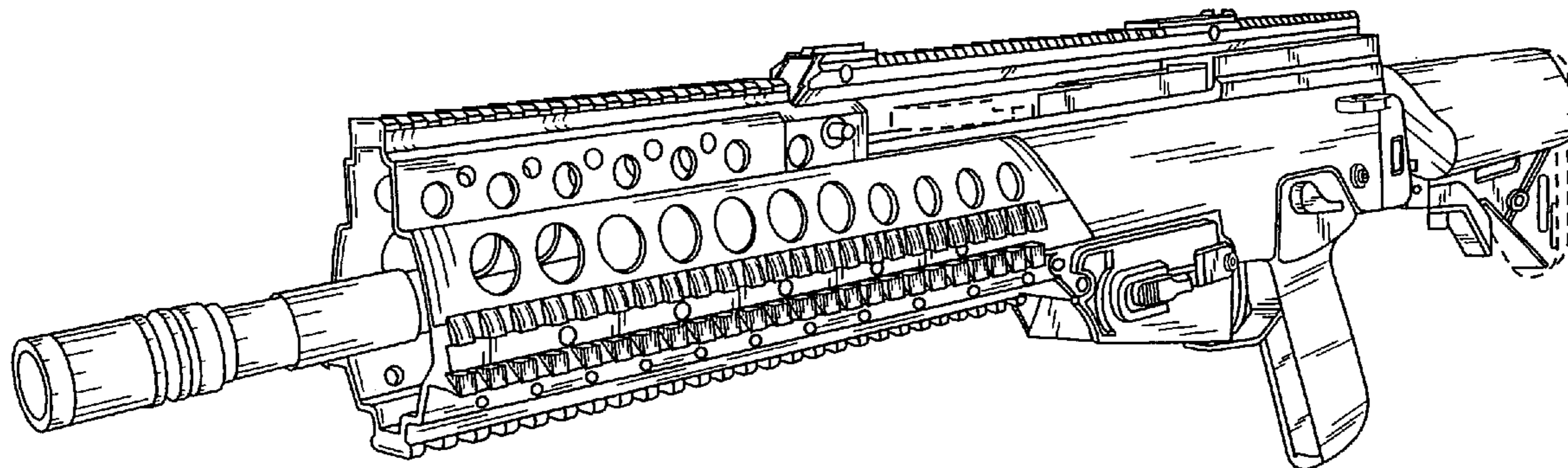
FIG. 6 is a front view thereof;

FIG. 7 is a rear view thereof;

FIG. 8 is a side perspective view with a straight cartridge installed, and the portions of the article shown in broken lines form no part of the claimed design; and,

FIG. 9 is a side perspective view with an arcuate cartridge installed, and portions of the article shown in broken lines form no part of the claimed design.

1 Claim, 8 Drawing Sheets



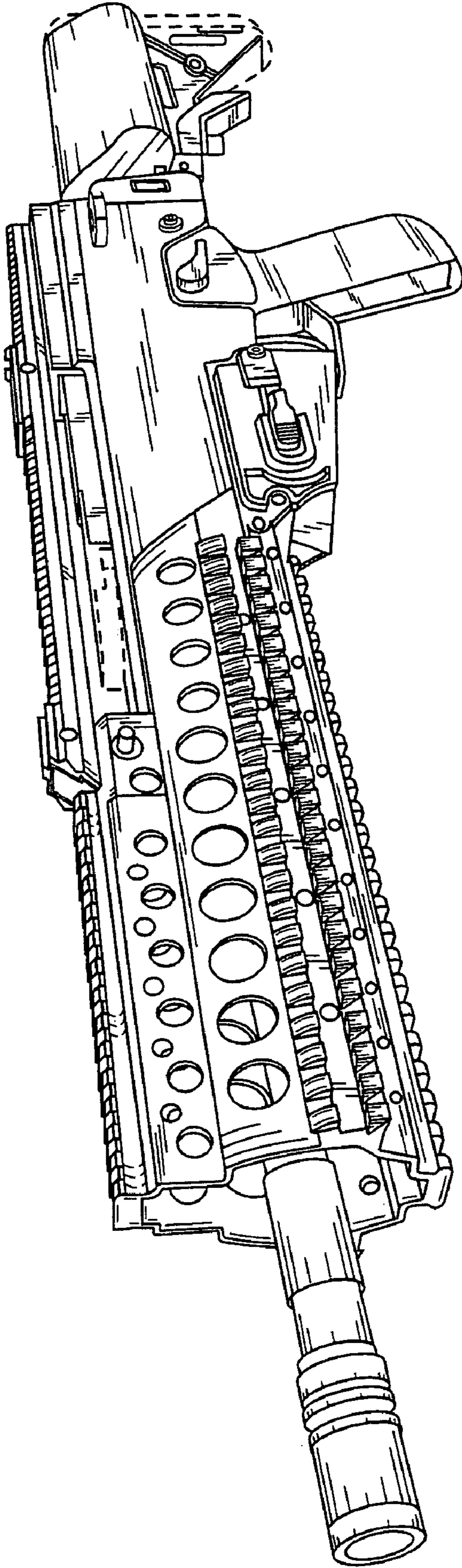


FIG. 1

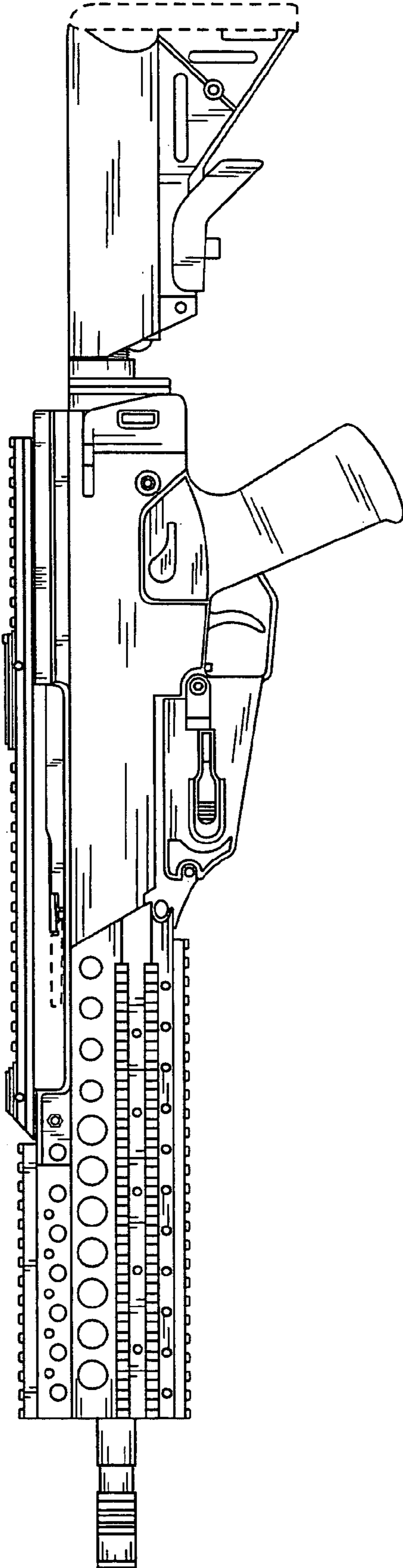


FIG. 2

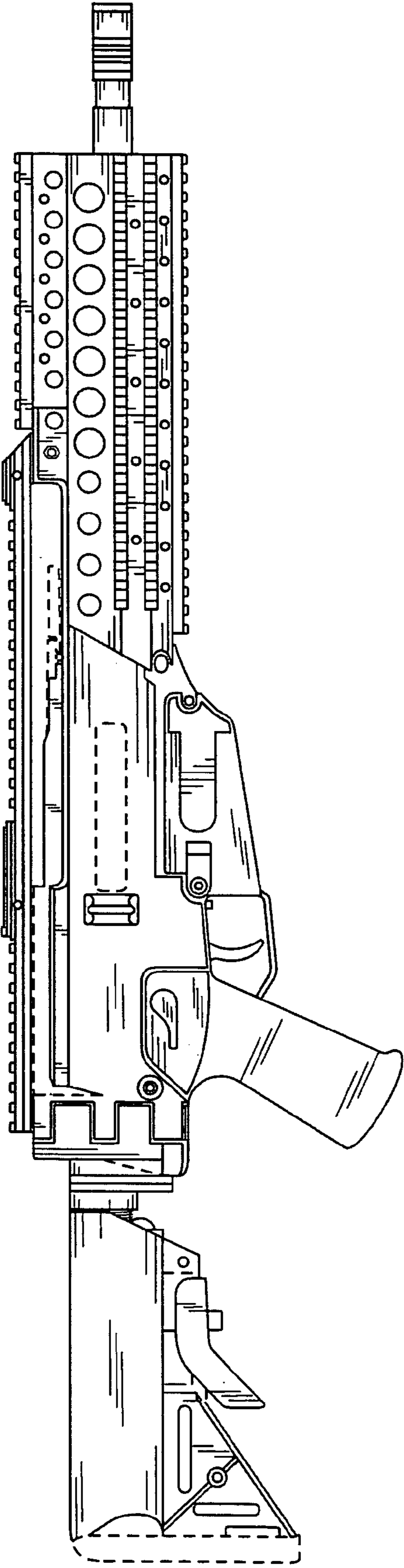


FIG. 3

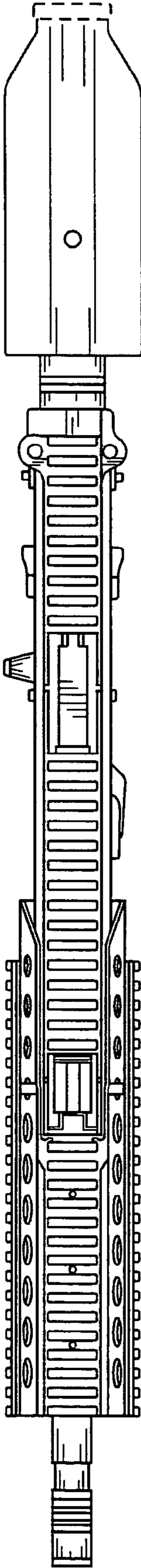


FIG. 4

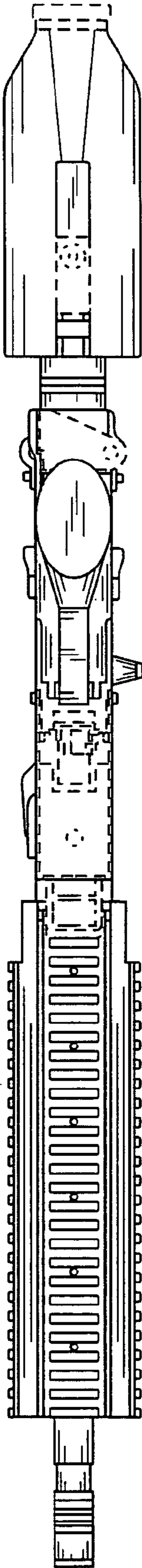


FIG. 5

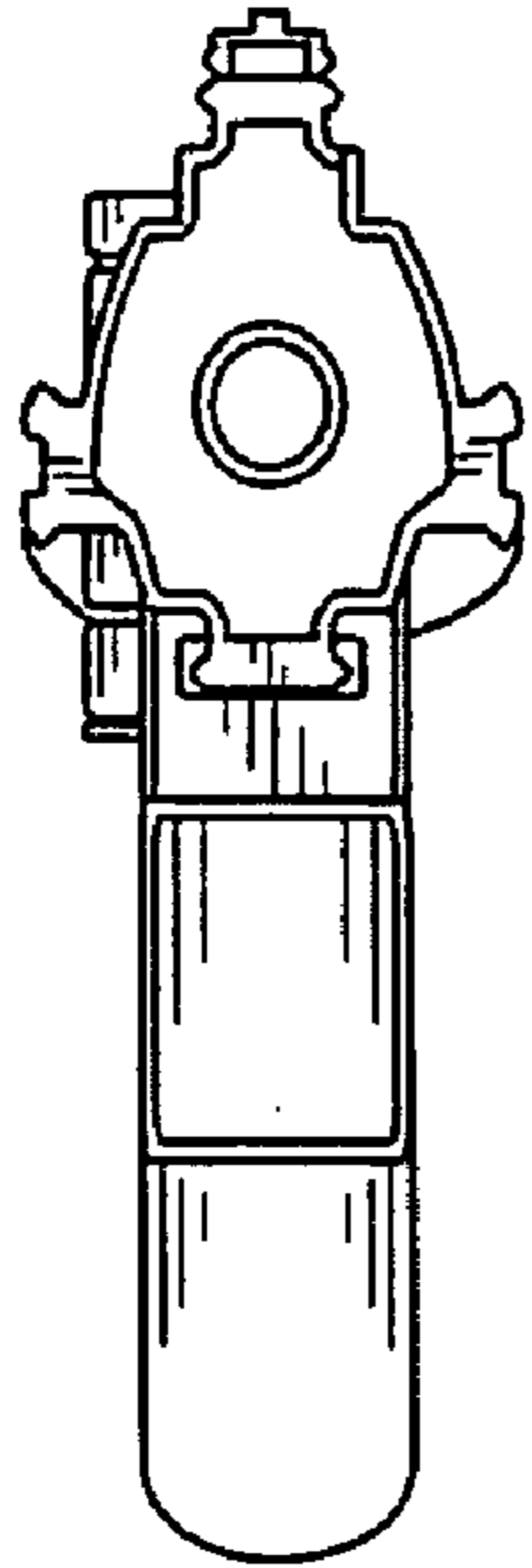


FIG. 6

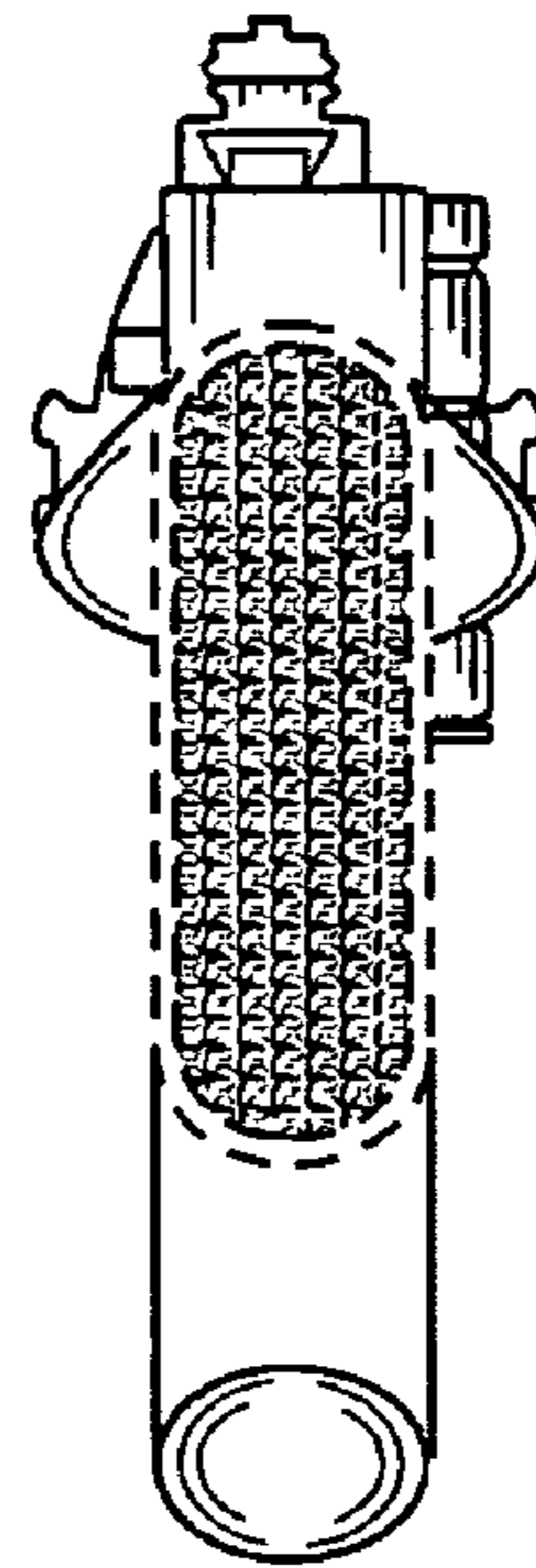


FIG. 7

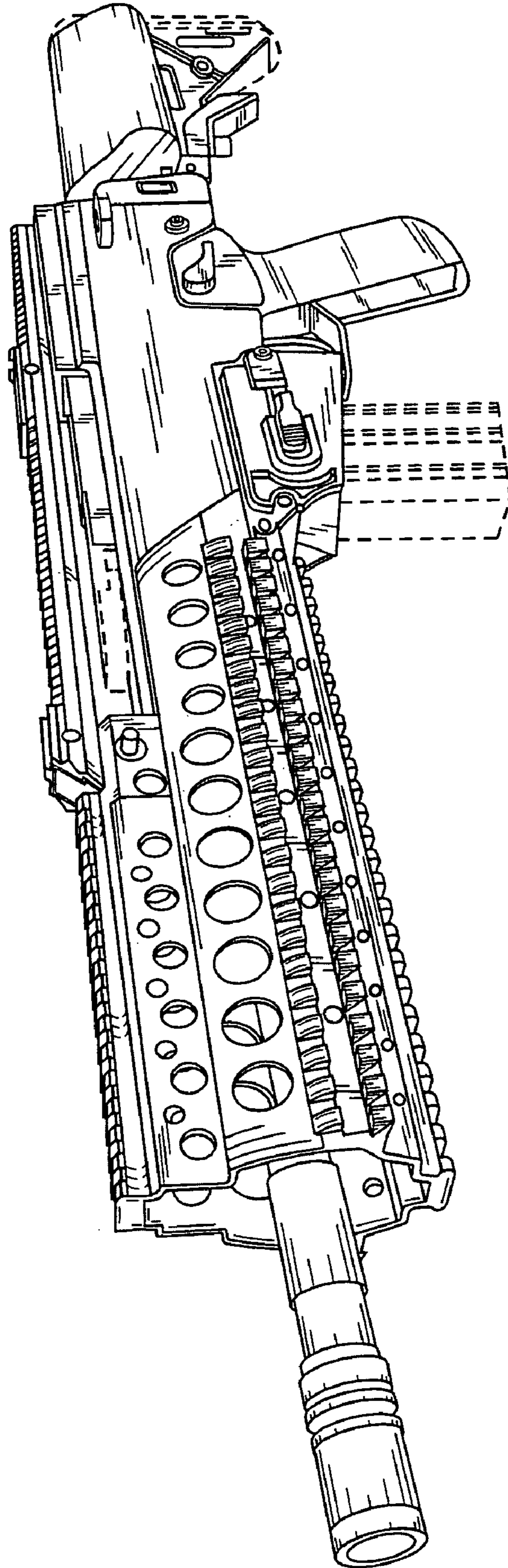


FIG. 8

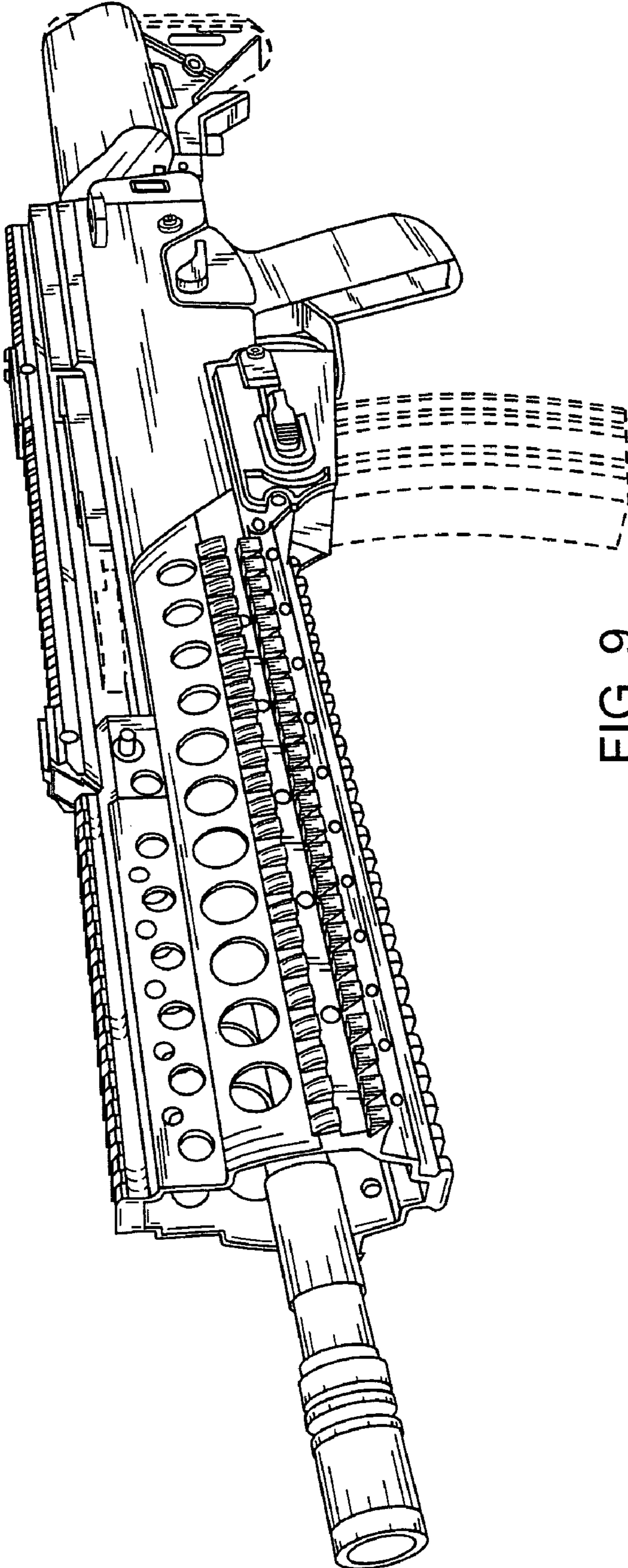


FIG. 9