



US00D648810S

(12) **United States Design Patent**
Bell

(10) **Patent No.:** **US D648,810 S**

(45) **Date of Patent:** **** Nov. 15, 2011**

(54) **YO-YO**

(76) **Inventor:** **Dale L. Bell**, Riviera Beach, FL (US)

(**) **Term:** **14 Years**

(21) **Appl. No.:** **29/378,302**

(22) **Filed:** **Nov. 2, 2010**

Related U.S. Application Data

(63) Continuation-in-part of application No. 12/899,209, filed on Oct. 6, 2010.

(51) **LOC (9) Cl.** **21-01**

(52) **U.S. Cl.** **D21/464**

(58) **Field of Classification Search** D21/443,
D21/451, 455-465, 563; D8/300, 310, 321,
D8/DIG. 2, DIG. 3; 446/36-48, 219, 235-266,
446/267, 450-453, 486, 487, 489-491
See application file for complete search history.

(56) **References Cited**

U.S. PATENT DOCUMENTS

179,377 A	6/1876	Weber	
892,951 A *	7/1908	Field	446/255
D39,757 S *	1/1909	Cruver	D21/464
2,030,302 A *	2/1936	Jones	446/255
D137,444 S *	3/1944	Davidson	D21/460
2,579,022 A	12/1951	Spencer et al.	
2,891,351 A	6/1959	Madaras et al.	
2,940,212 A	6/1960	Bond	
3,081,578 A *	3/1963	Mosher	446/251
3,175,326 A	3/1965	Isaacson	
3,233,359 A	2/1966	Salayka	
3,805,443 A	4/1974	Duncan, Jr.	
3,834,069 A	9/1974	Brown	
3,953,936 A	5/1976	Ennis	
4,130,962 A	12/1978	Ennis	
4,332,102 A	6/1982	Caffrey	
4,442,625 A	4/1984	MacCarthy	

4,895,547 A	1/1990	Amaral	
5,100,361 A	3/1992	Kuhn et al.	
5,254,027 A	10/1993	McAvoy, Jr.	
5,389,029 A	2/1995	McAvoy, Jr.	
5,769,686 A	6/1998	Duncan et al.	
5,813,898 A	9/1998	Van Dan Elzen et al.	
D412,188 S *	7/1999	Hadzicki et al.	D21/464
5,984,759 A	11/1999	O'Sullivan	
6,004,183 A	12/1999	Dixon et al.	
6,080,035 A	6/2000	Pekarsky et al.	
6,080,036 A	6/2000	Adler	
6,113,456 A	9/2000	Hadzicki et al.	
6,142,850 A	11/2000	Levy	
6,155,903 A	12/2000	Van Dan Elzen et al.	
6,162,109 A *	12/2000	Baier	446/250
6,206,749 B1	3/2001	Bell	
6,234,861 B1	5/2001	Ichii et al.	
6,565,408 B1	5/2003	Marcantonio et al.	

(Continued)

FOREIGN PATENT DOCUMENTS

CN 300694279 * 9/2007

(Continued)

Primary Examiner — Catherine Tuttle

(74) *Attorney, Agent, or Firm* — Charles J. Prescott

(57) **CLAIM**

The ornamental design for a yo-yo, as shown and described.

DESCRIPTION

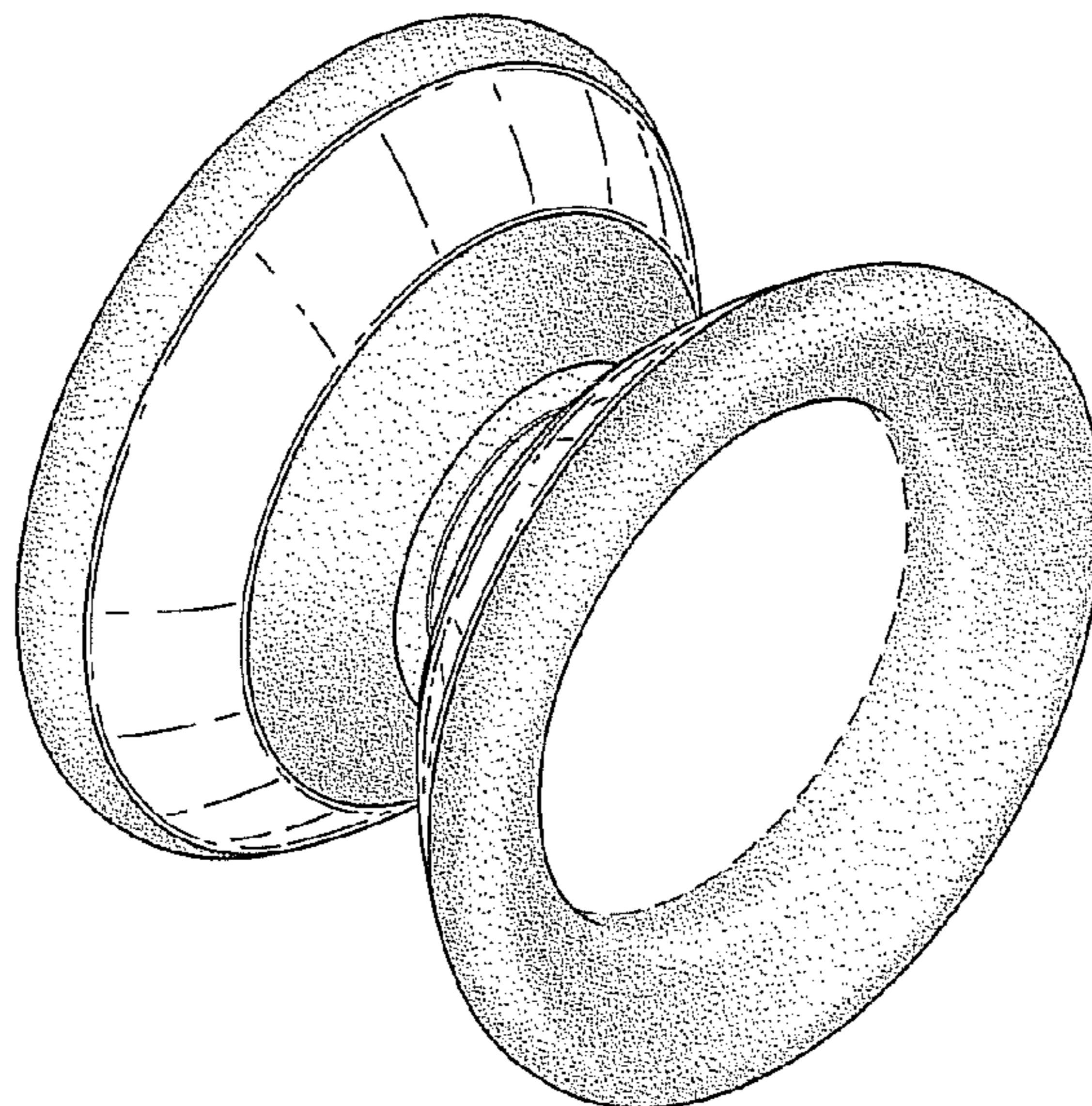
FIG. 1 is a perspective view of a yo-yo showing my new design;

FIG. 2 is a side elevation view of FIG. 1; and,

FIG. 3 is a top plan view of FIG. 1, the bottom plan view being identical.

The broken line is included for the purpose of illustrating the boundary of a portion of the yo-yo that together with the broken line itself forms no part of the claimed design.

1 Claim, 1 Drawing Sheet



US D648,810 S

Page 2

U.S. PATENT DOCUMENTS

6,579,142 B1 6/2003 Rehkemper et al.
7,125,310 B1 * 10/2006 Van Dan Elzen 446/250
7,192,330 B2 * 3/2007 Van Dan Elzen 446/250
2005/0287910 A1 12/2005 O'Sullivan
2006/0094329 A1 * 5/2006 Van Dan Elzen 446/250
2007/0105478 A1 5/2007 Van Dan Elzen et al.
2008/0171488 A1 7/2008 Van Dan Elzen et al.
2010/0317255 A1 * 12/2010 Van Dan Elzen 446/250

FOREIGN PATENT DOCUMENTS

CN 300701726 * 10/2007
CN 300757241 * 3/2008
CN 300767129 * 4/2008
CN 300785295 * 5/2008
GB 2200853 A * 8/1988
JP 11137859 A 5/1999
JP 2003135859 A * 5/2003
* cited by examiner

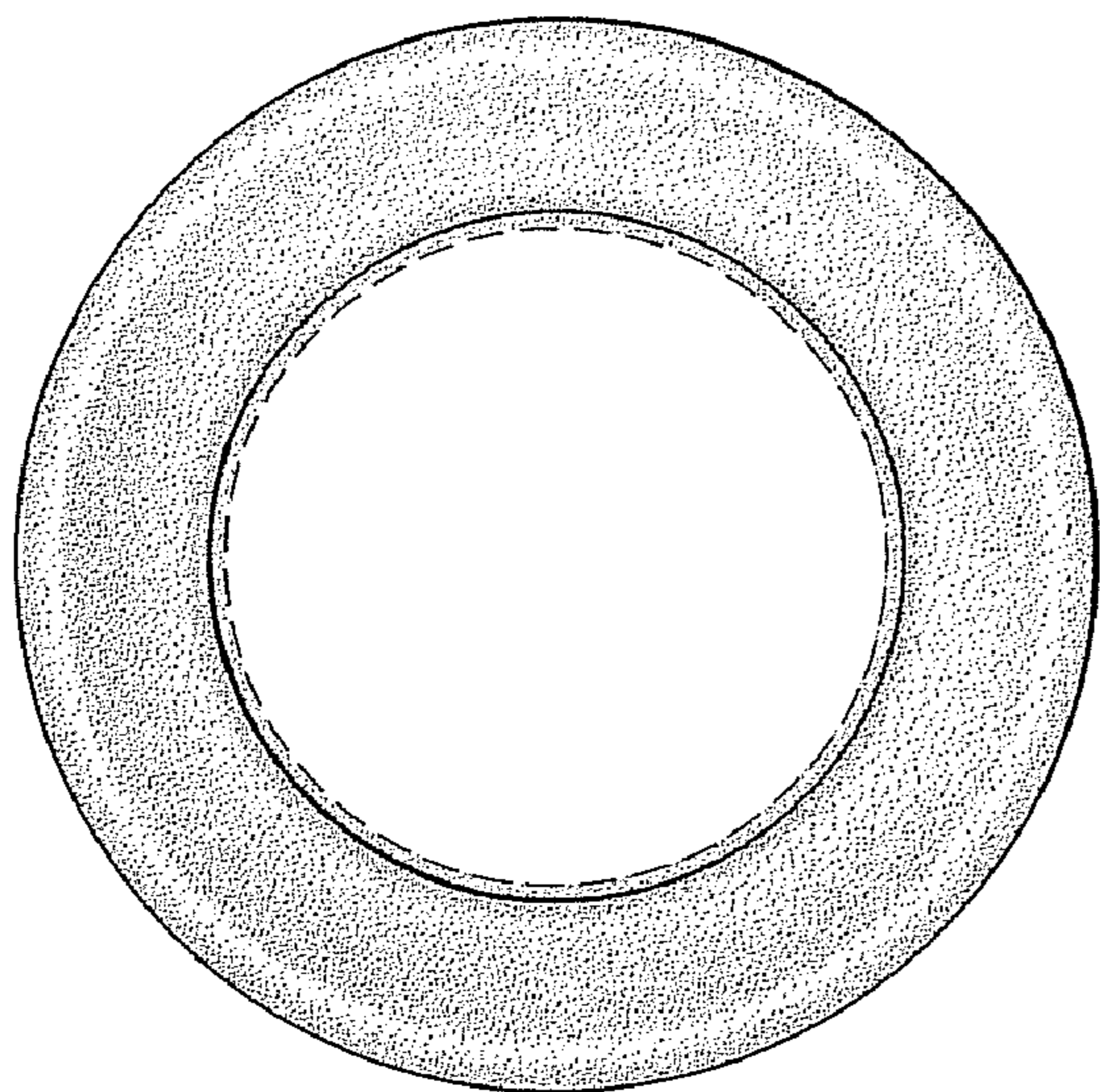


FIG. 2

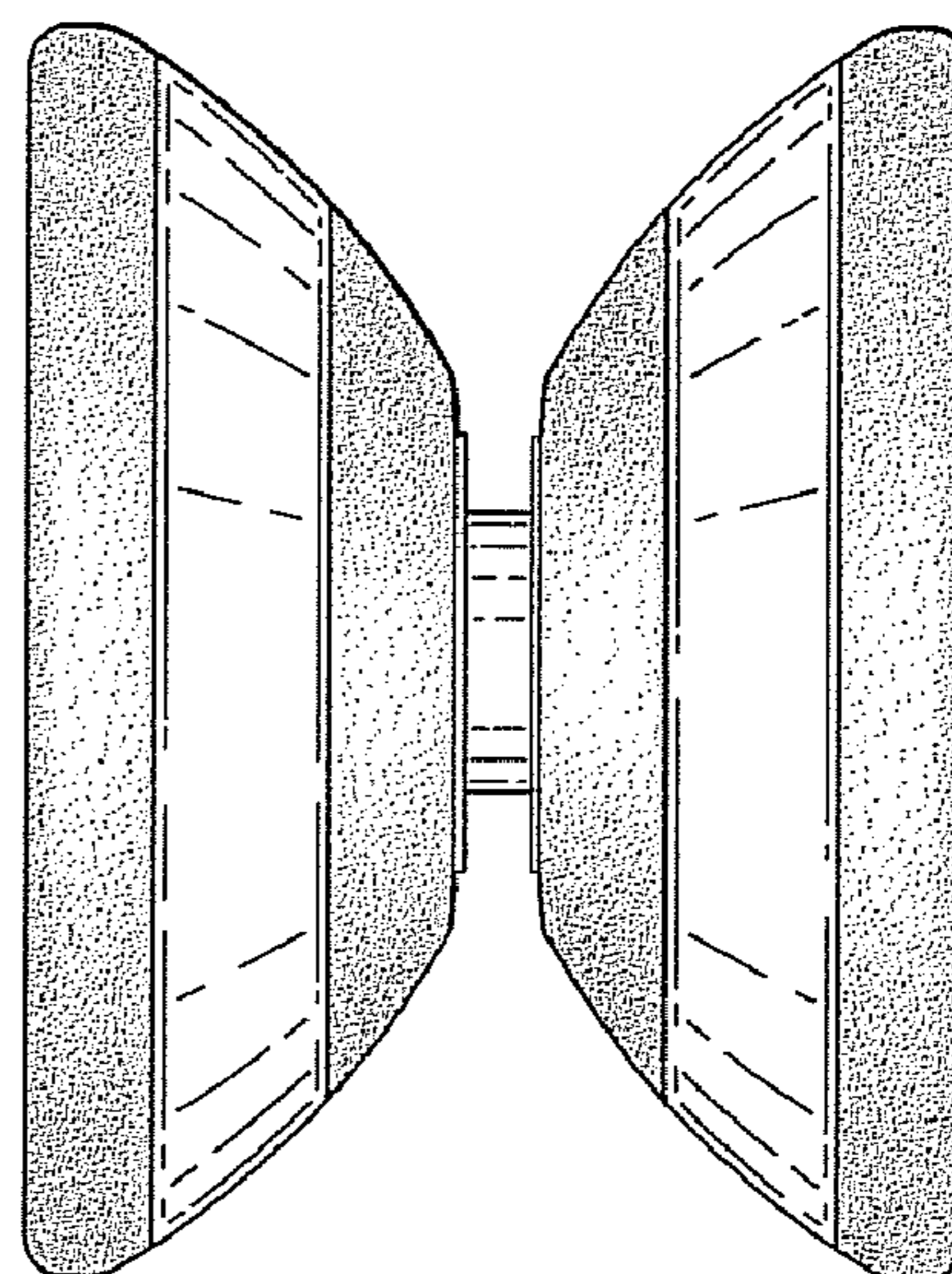


FIG. 3

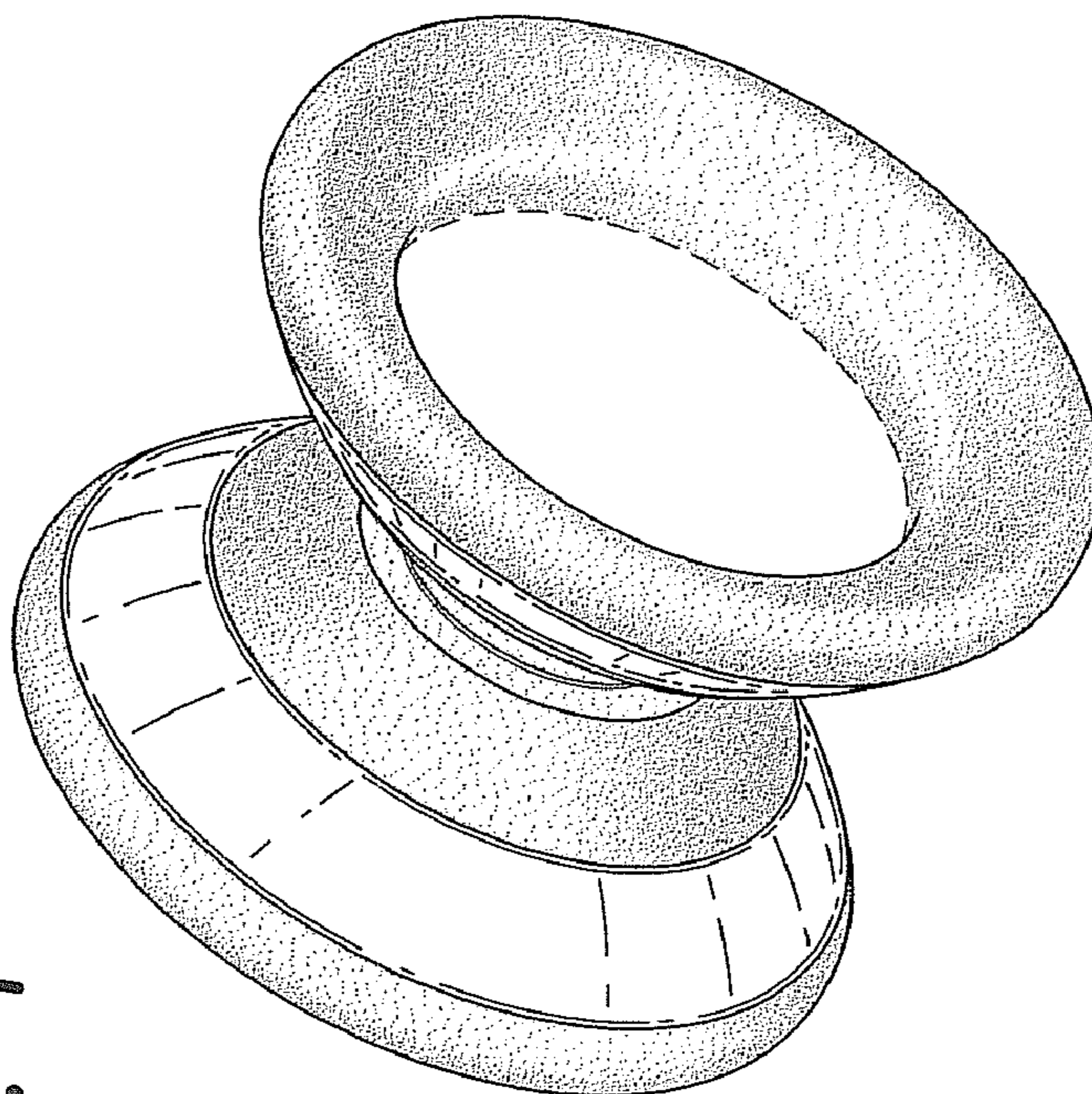


FIG. 1