



US00D648809S

(12) **United States Design Patent**  
**Seydoux et al.**

(10) **Patent No.:** **US D648,809 S**

(45) **Date of Patent:** **\*\* Nov. 15, 2011**

(54) **FLYING TOY**

(75) Inventors: **Henri Seydoux**, Paris (FR); **Guillaume Savoye**, Paris (FR); **Flavien Morra**, Pantin (FR)

(73) Assignee: **Parrot**, Paris (FR)

(\*\*) Term: **14 Years**

(21) Appl. No.: **29/365,077**

(22) Filed: **Jul. 2, 2010**

(30) **Foreign Application Priority Data**

Jan. 4, 2010 (EM) ..... 001186837  
Jun. 14, 2010 (EM) ..... 001219513

(51) **LOC (9) Cl.** ..... **21-03**

(52) **U.S. Cl.** ..... **D21/441**

(58) **Field of Classification Search** ..... D21/436,  
D21/441-44, 448; 446/34, 36, 61; D12/328  
See application file for complete search history.

(56) **References Cited**

U.S. PATENT DOCUMENTS

1,749,471 A \* 3/1930 De Bothezat ..... 416/130  
3,053,480 A \* 9/1962 Vanderlip ..... 244/17.13  
D539,358 S \* 3/2007 Shi ..... D21/441

\* cited by examiner

*Primary Examiner* — Sandra Morris

(74) *Attorney, Agent, or Firm* — Marshall, Gerstein & Borun LLP; Richard M. LaBarge

(57) **CLAIM**

The ornamental design for a flying toy, as shown and described.

**DESCRIPTION**

FIG. 1 is a front, top and side view of a flying toy that has the design.

FIG. 2 is top plan view of the flying toy.

FIG. 3 is a bottom plan view of the flying toy.

FIG. 4 is a right-side elevation of the flying toy.

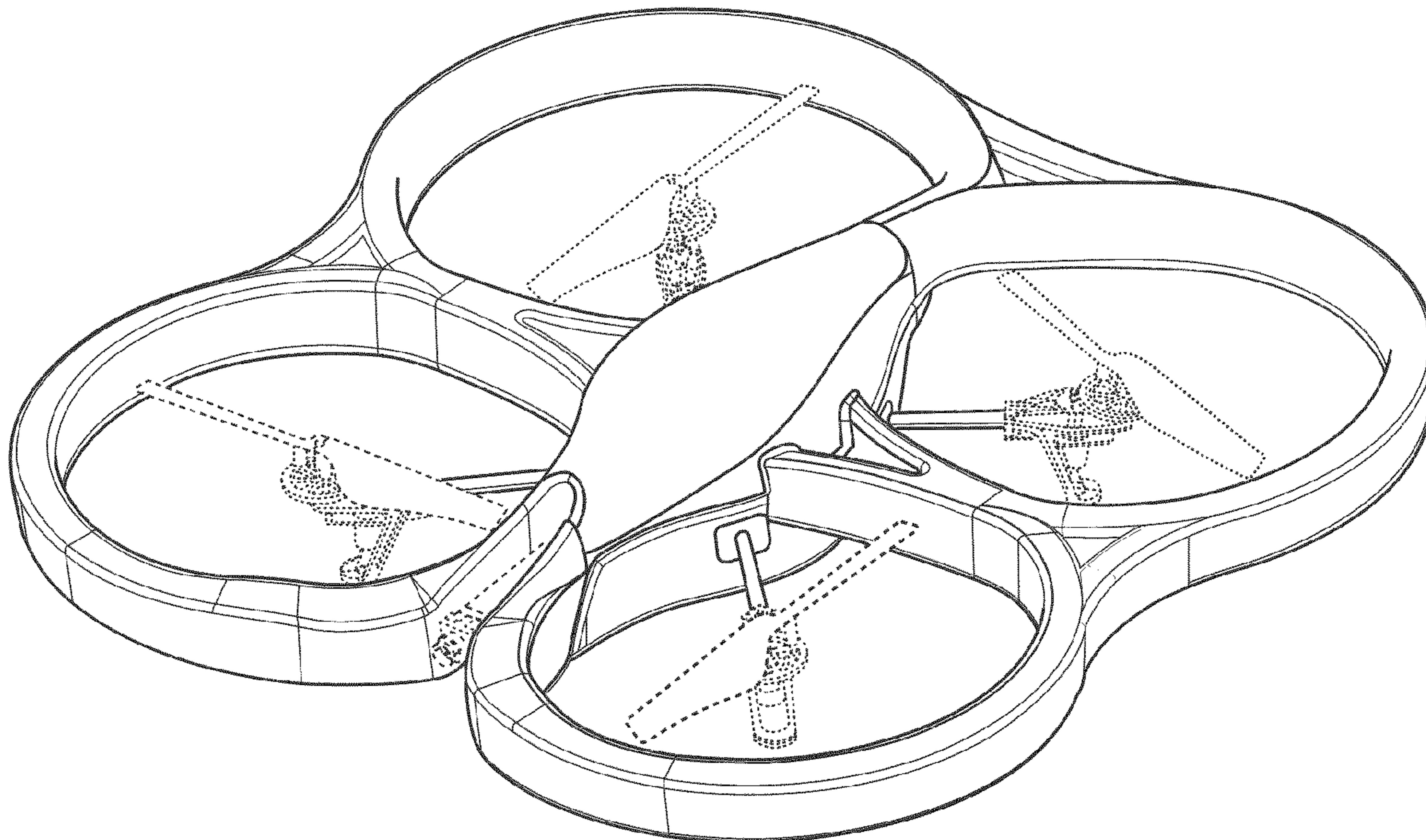
FIG. 5 is a left-side elevation of the flying toy.

FIG. 6 is a back elevation of the flying toy; and,

FIG. 7 is a front elevation of the flying toy.

The broken lines are included for the purpose of illustrating portions of the flying toy that form no part of the claimed design.

**1 Claim, 4 Drawing Sheets**



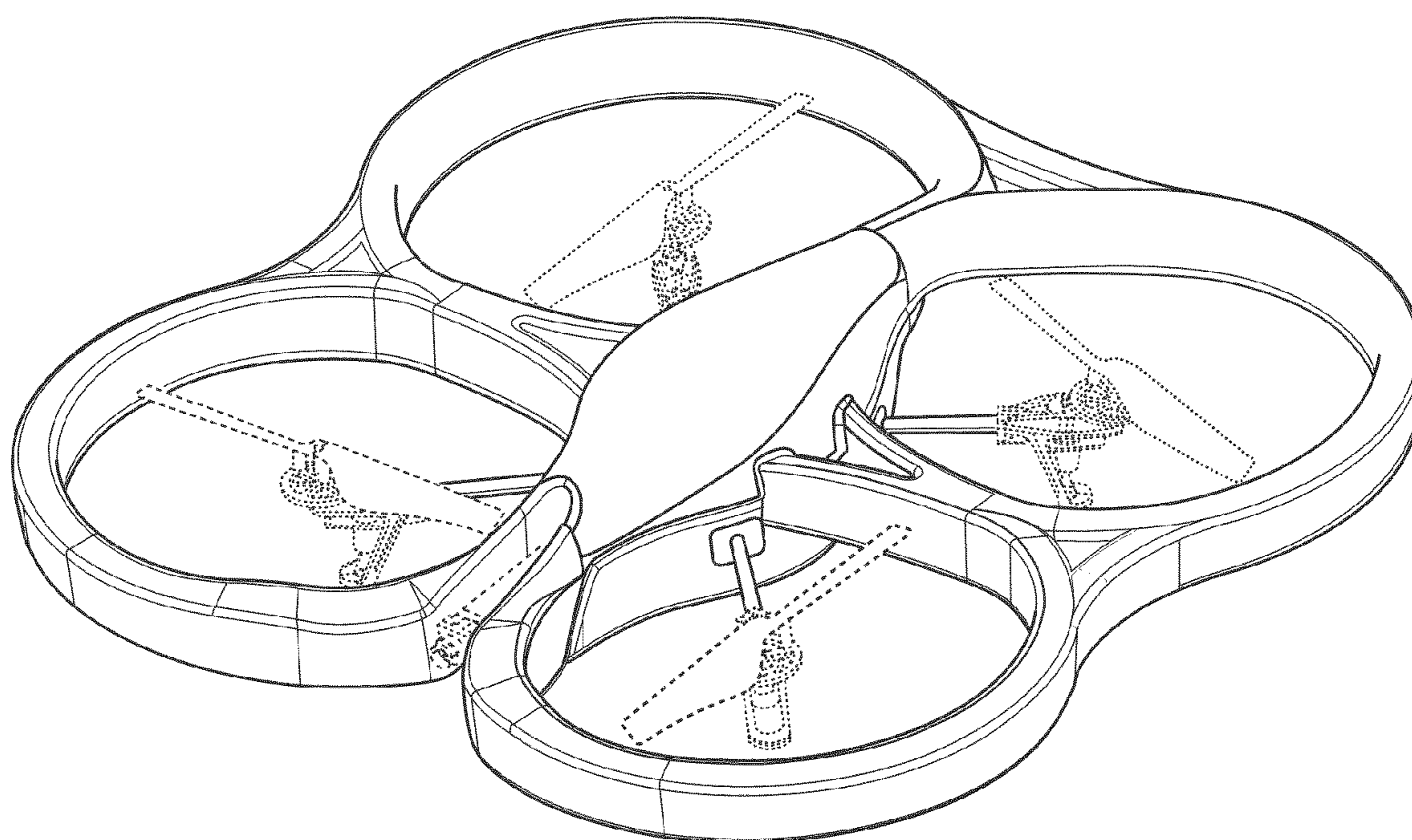


FIG. 1

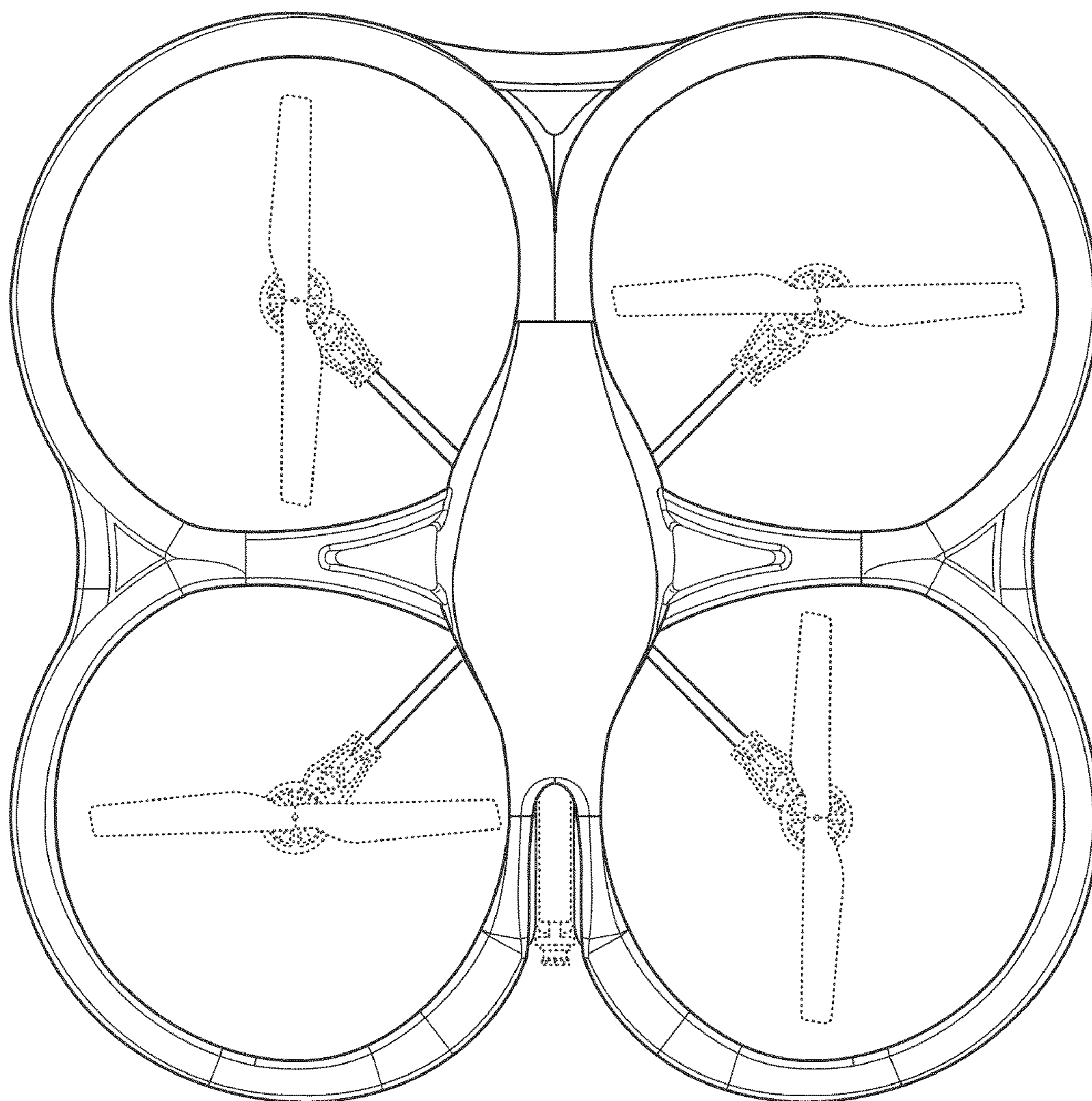


FIG. 2

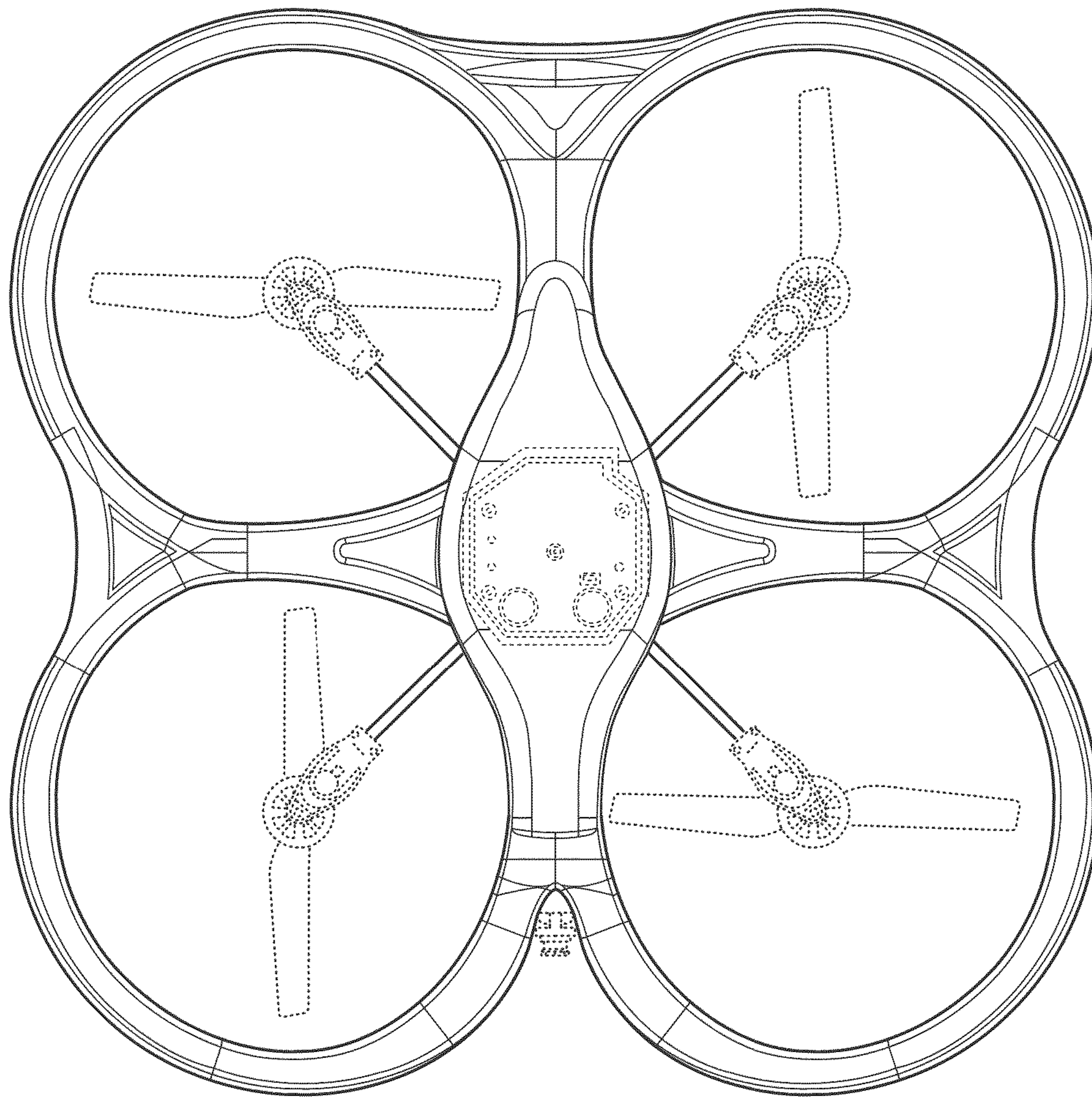


FIG. 3

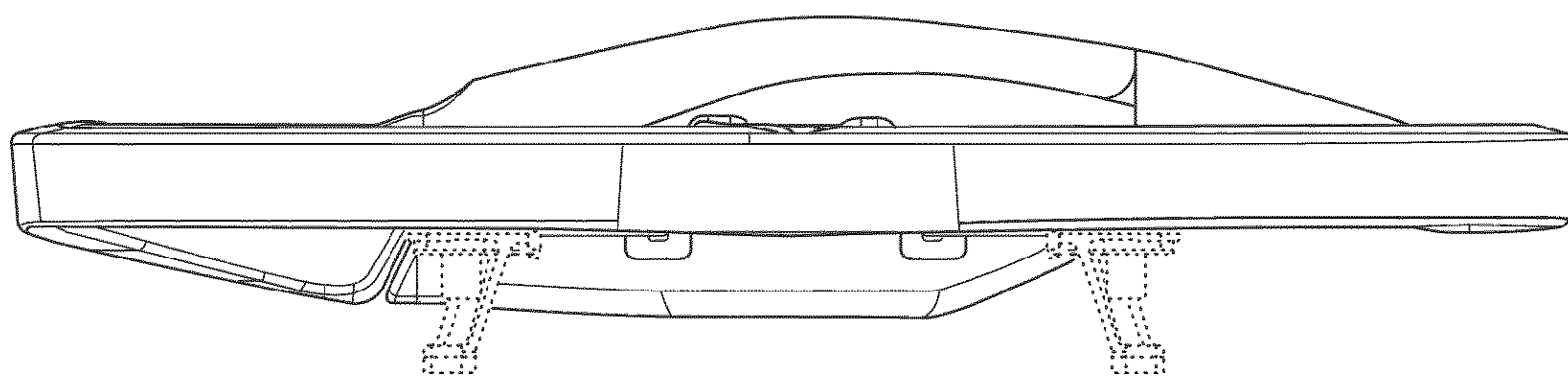


FIG. 4

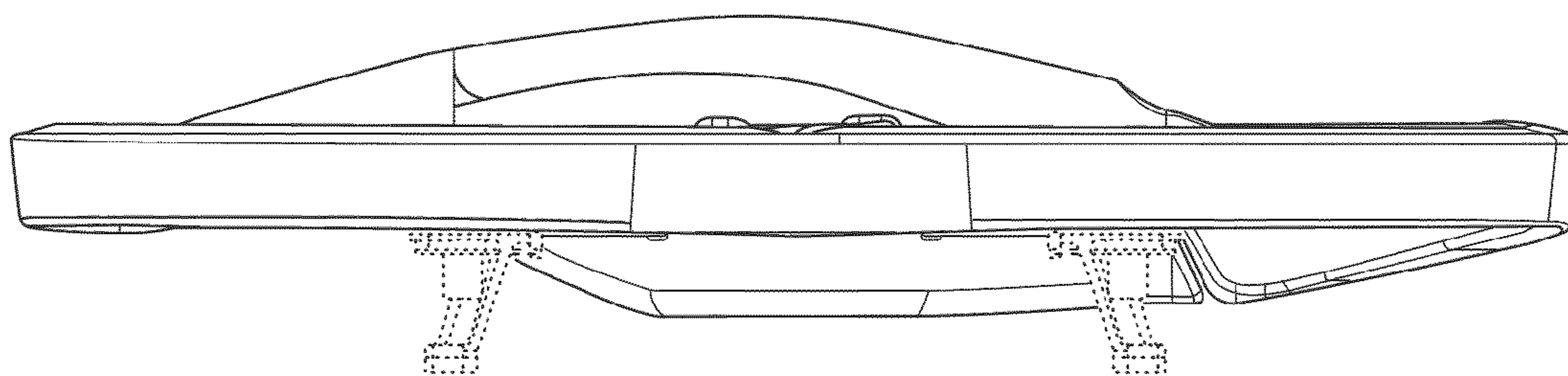


FIG. 5

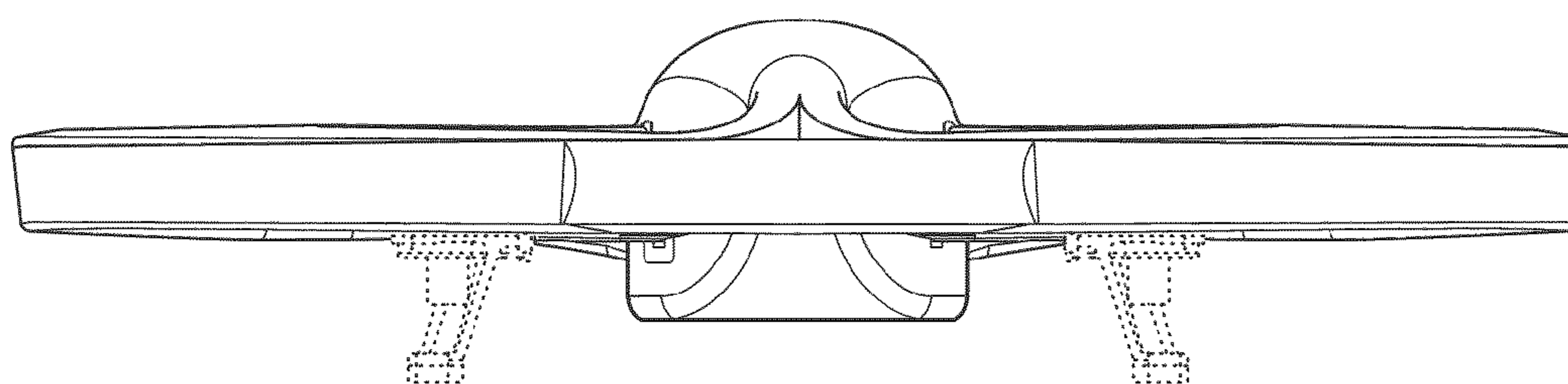


FIG. 6

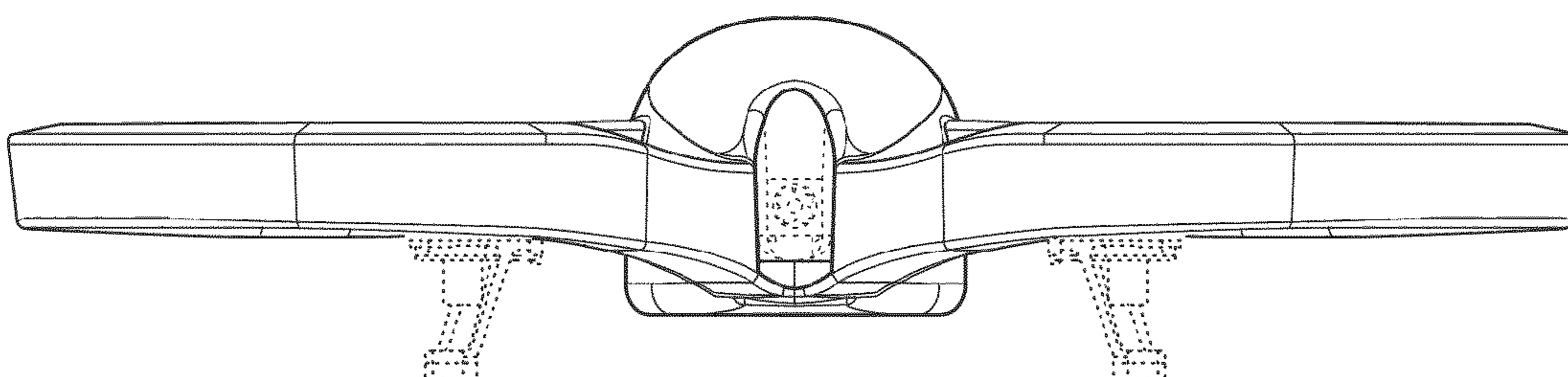


FIG. 7