



US00D648808S

(12) **United States Design Patent**
Seydoux et al.

(10) **Patent No.:** **US D648,808 S**
(45) **Date of Patent:** **** Nov. 15, 2011**

(54) **FLYING TOY**

(75) Inventors: **Henri Seydoux**, Paris (FR); **Guillaume Savoye**, Paris (FR); **Flavien Morra**, Pantin (FR)

(73) Assignee: **Parrot**, Paris (FR)

(**) Term: **14 Years**

(21) Appl. No.: **29/365,074**

(22) Filed: **Jul. 2, 2010**

(30) **Foreign Application Priority Data**

Jan. 4, 2010 (EM) 001186837
Jun. 14, 2010 (EM) 001219513

(51) **LOC (9) Cl.** **21-03**

(52) **U.S. Cl.** **D21/441**

(58) **Field of Classification Search** D21/436,
D21/441-442, 448-452; 446/34, 36, 61;
D12/328

See application file for complete search history.

(56) **References Cited**

U.S. PATENT DOCUMENTS

3,053,480 A * 9/1962 Vanderlip 244/17.13
D465,196 S * 11/2002 Dammar D12/328

* cited by examiner

Primary Examiner — Sandra Morris

(74) *Attorney, Agent, or Firm* — Marshall, Gerstein & Borun LLP; Richard M. LaBarge

(57) **CLAIM**

The ornamental design for a flying toy, as shown and described.

DESCRIPTION

FIG. 1 is a front, top and side view of a flying toy that has the design.

FIG. 2 is top plan view of the flying toy.

FIG. 3 is a right-side elevation of the flying toy.

FIG. 4 is a left-side elevation of the flying toy.

FIG. 5 is a front elevation of the flying toy.

FIG. 6 is a back elevation of the flying toy.

FIG. 7 is a front, top and side view of the flying toy with a surface ornamentation scheme.

FIG. 8 is top plan view of the flying toy seen in FIG. 7.

FIG. 9 is a right-side elevation of the flying toy seen in FIG. 7.

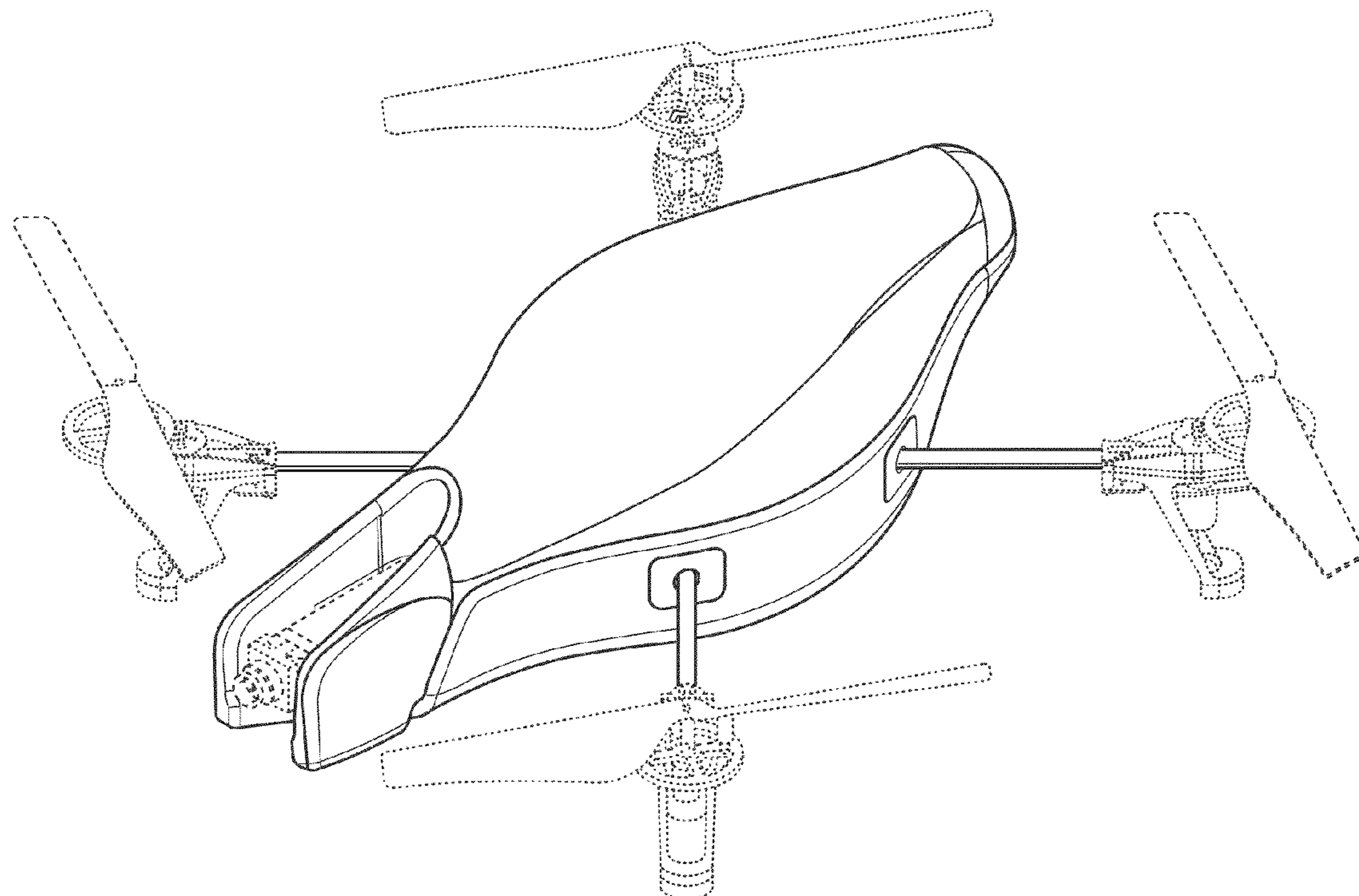
FIG. 10 is a left-side elevation of the flying toy seen in FIG. 7.

FIG. 11 is a front elevation of the flying toy seen in FIG. 7; and,

FIG. 12 is a back elevation of the flying toy seen in FIG. 7.

The broken line showing of parts of the flying toy is intended to illustrate parts of the flying toy and forms no part of the claimed invention.

1 Claim, 8 Drawing Sheets



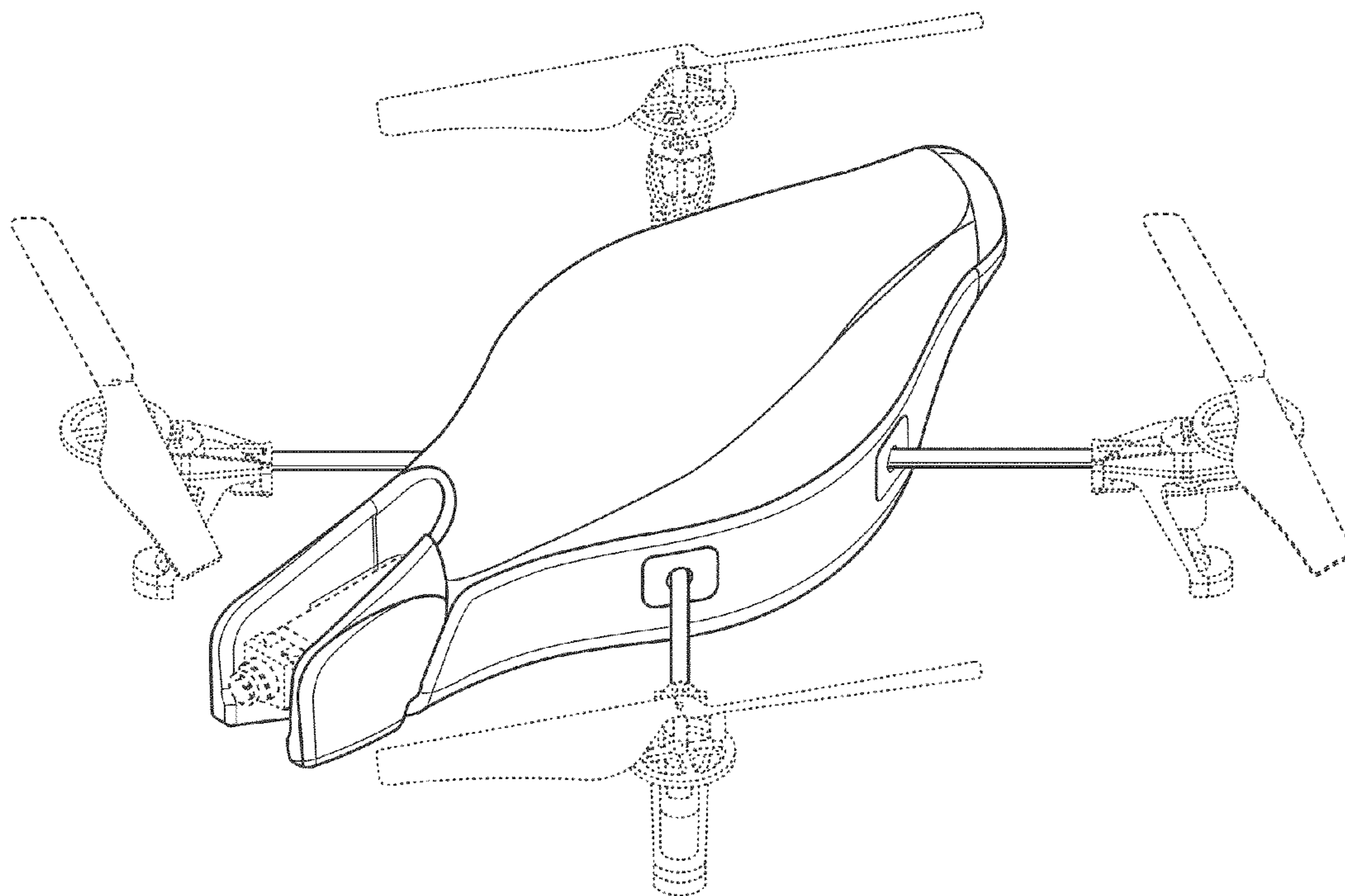


FIG. 1

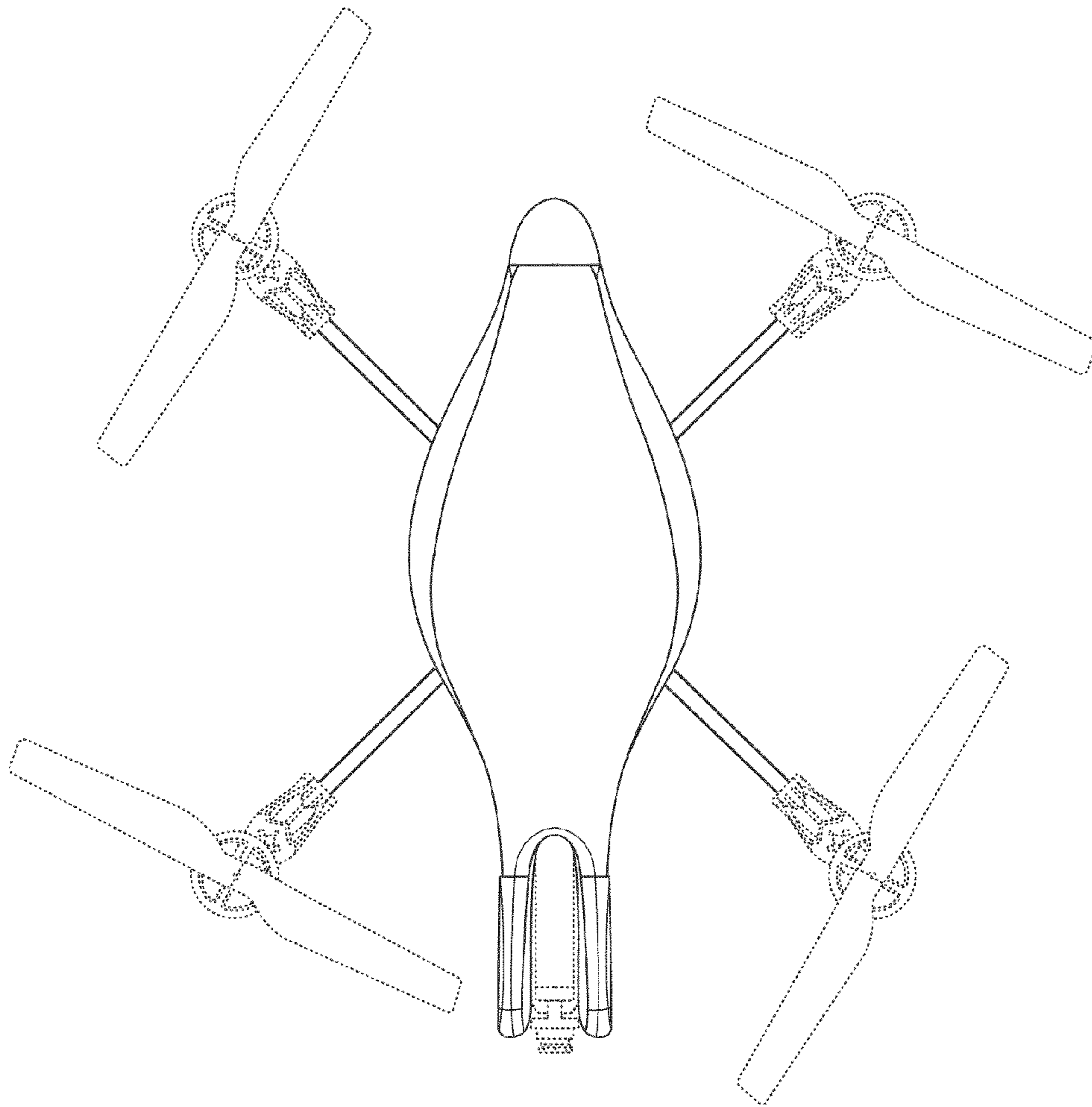


FIG. 2

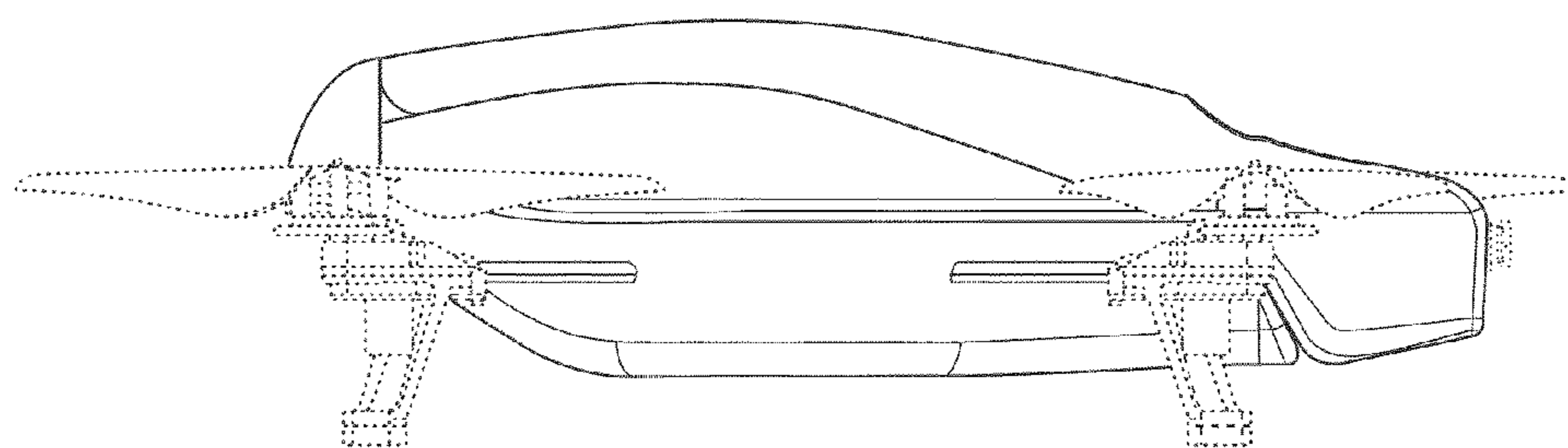


FIG. 3

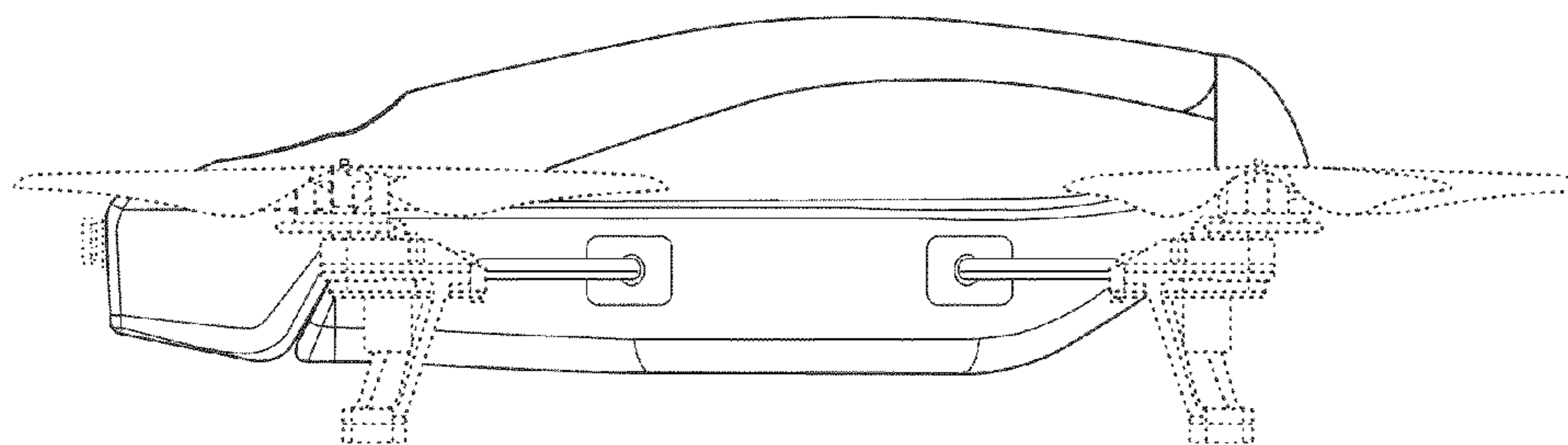


FIG. 4

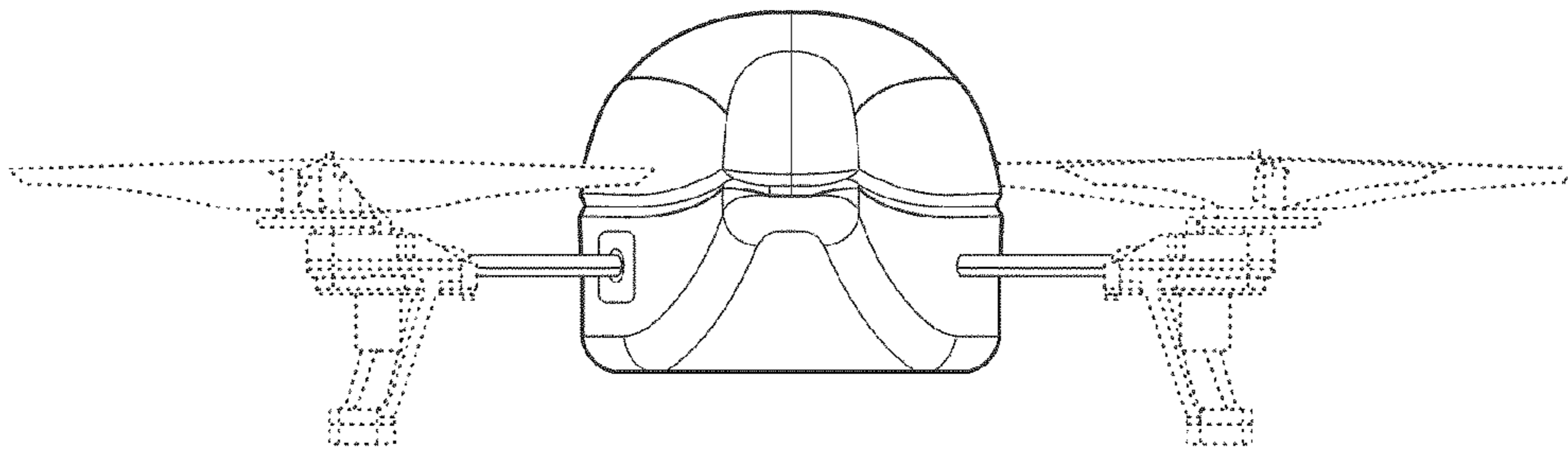


FIG. 5

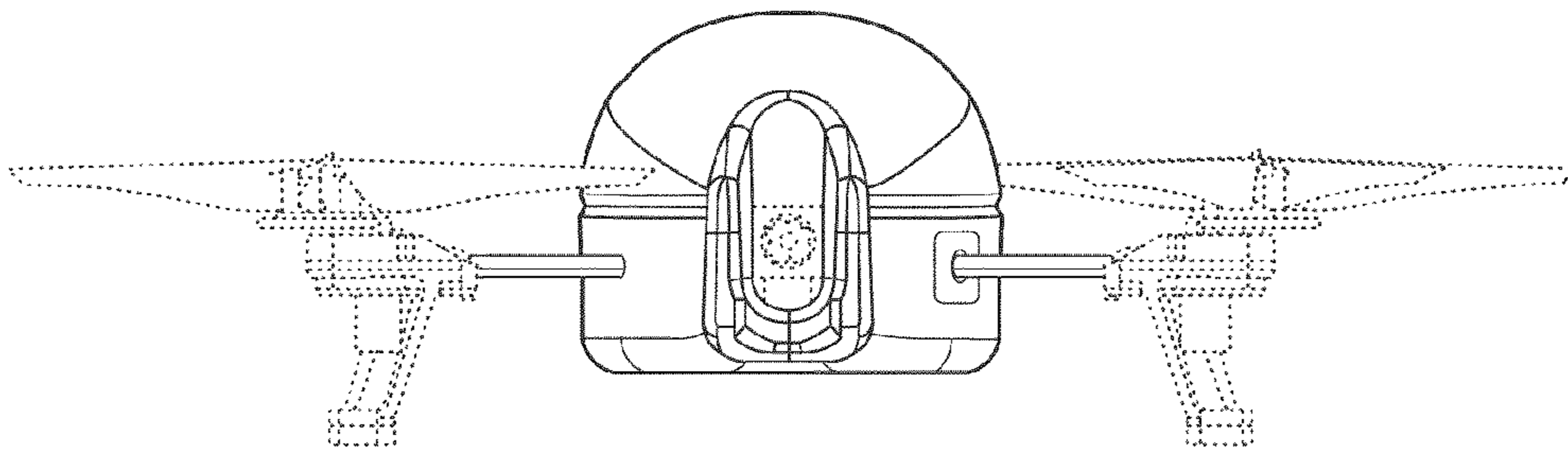


FIG. 6

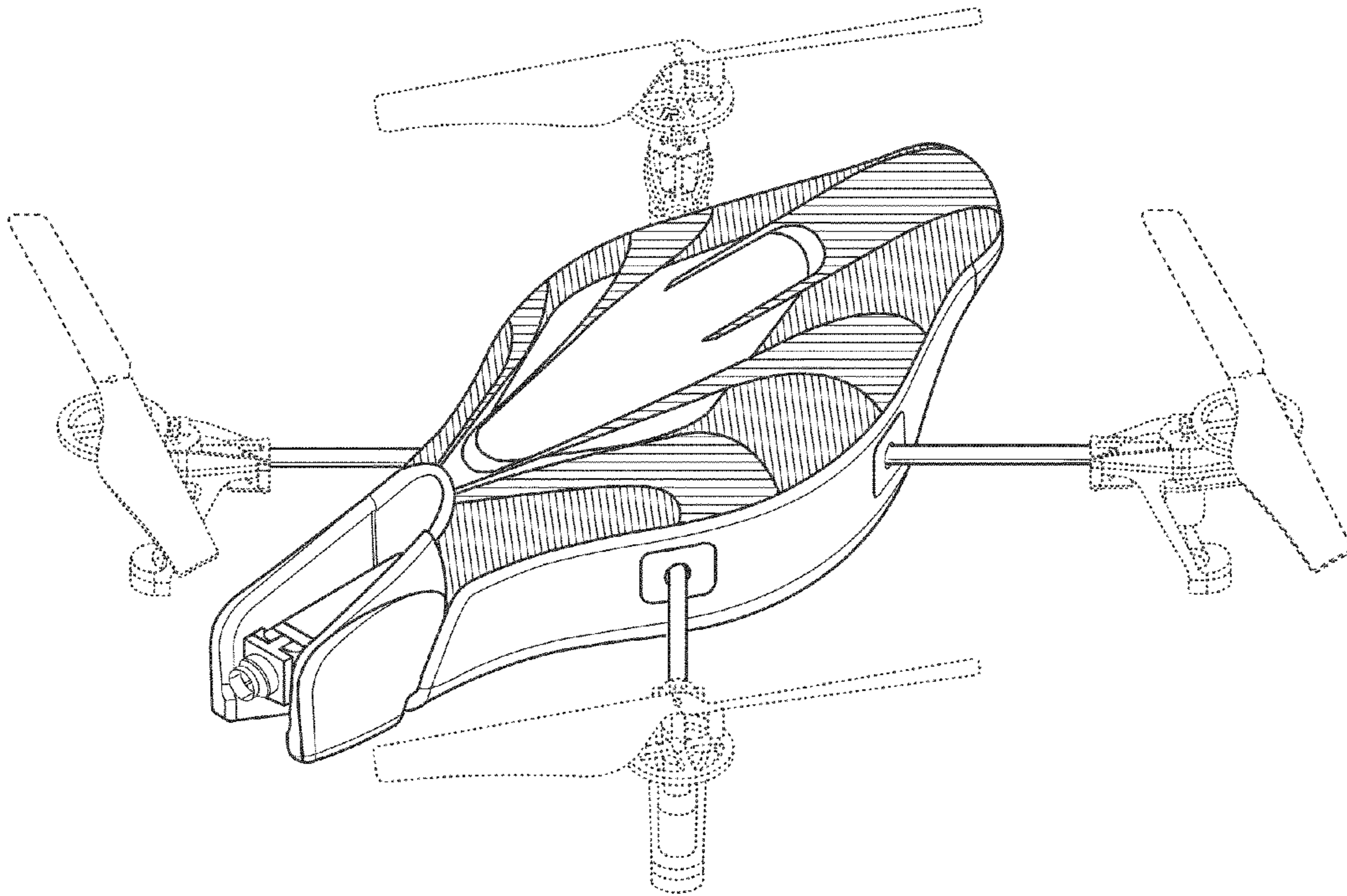


FIG. 7

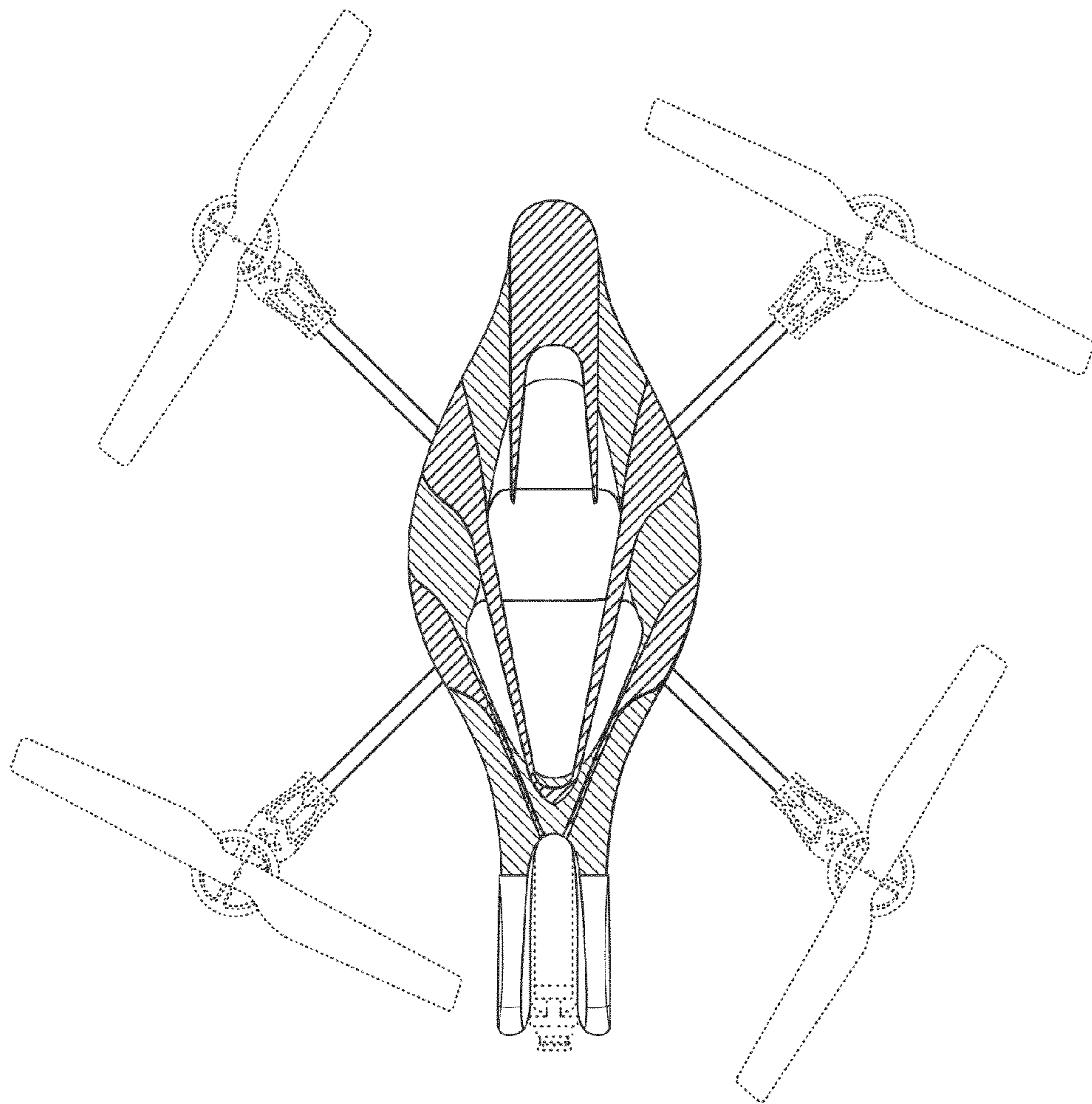


FIG. 8

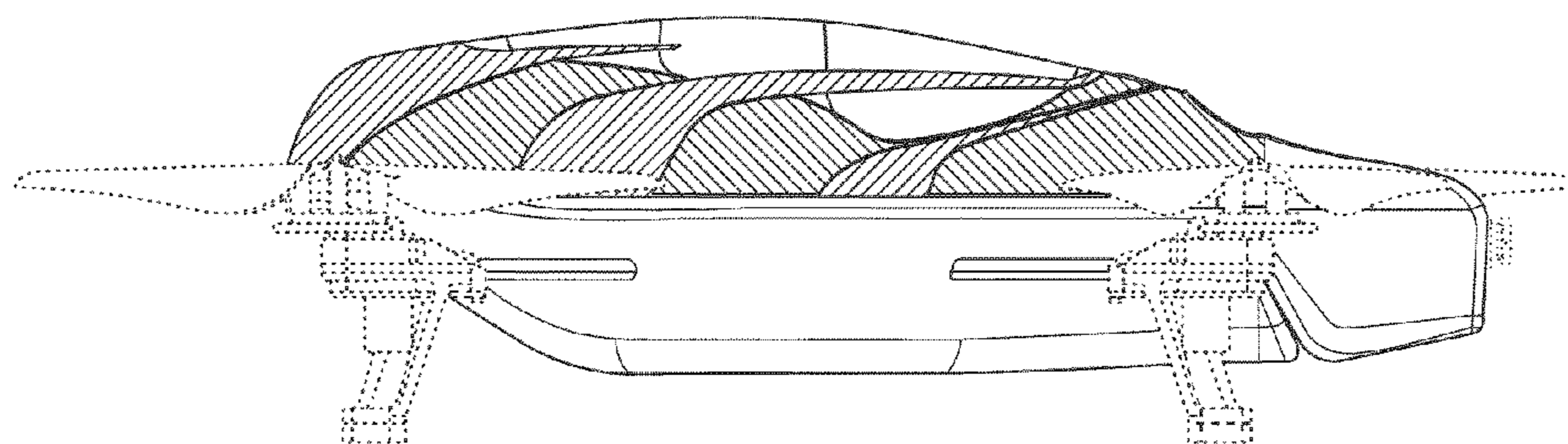


FIG. 9

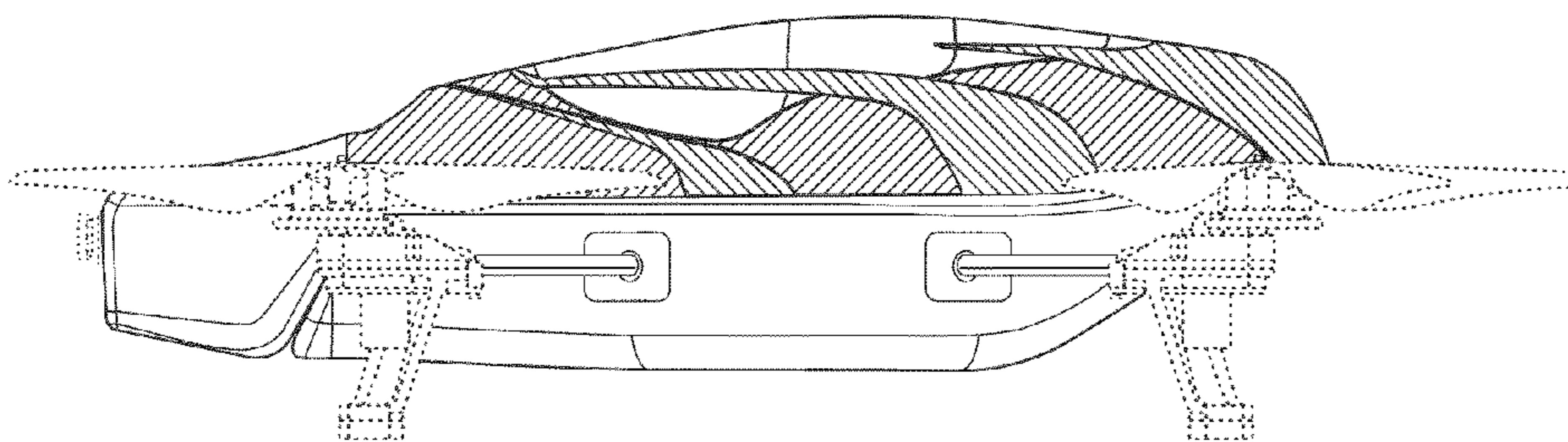


FIG. 10

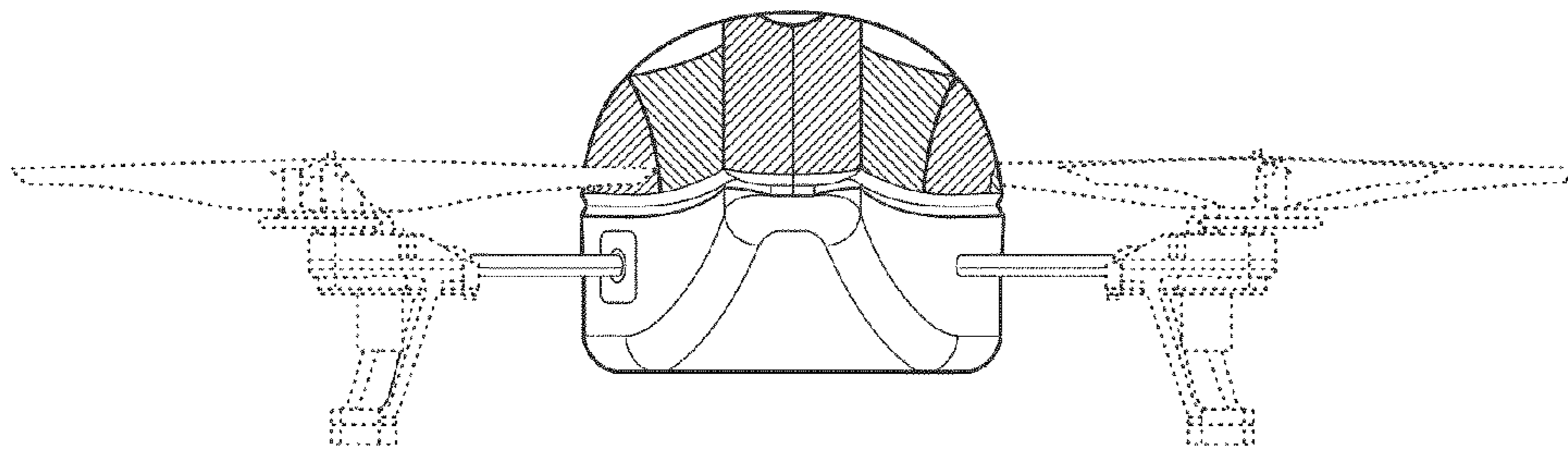


FIG. 11

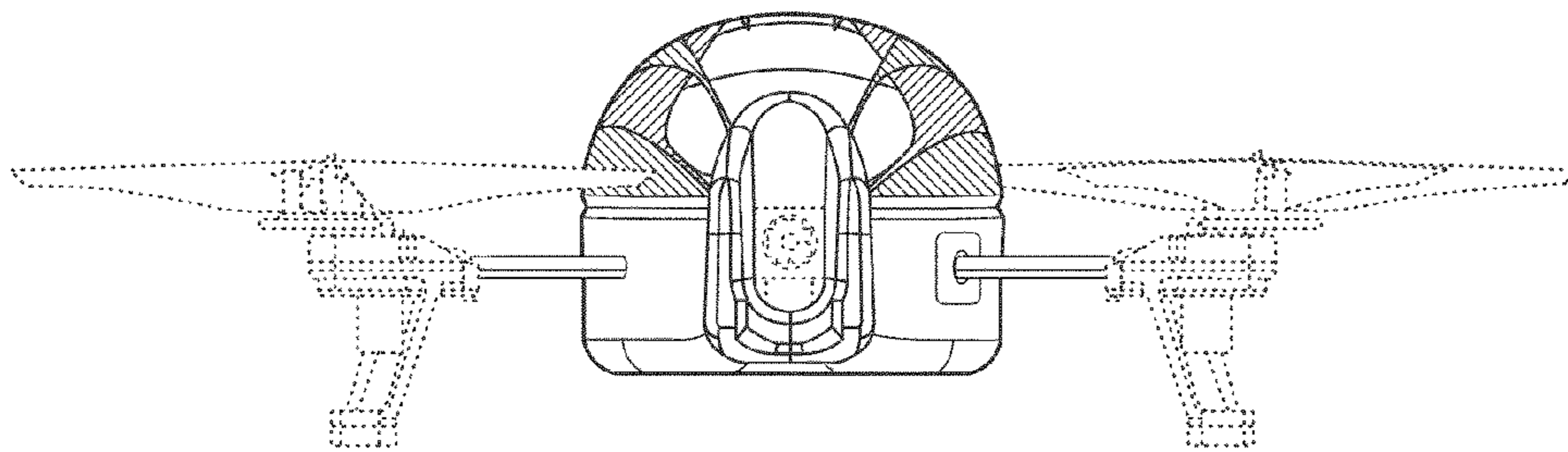


FIG. 12