



US00D648804S

(12) **United States Design Patent**
Coulter

(10) **Patent No.:** **US D648,804 S**

(45) **Date of Patent:** **** Nov. 15, 2011**

(54) **SET OF TARGET DECALS**

(76) Inventor: **Todd Coulter**, Memphis, TN (US)

(**) Term: **14 Years**

(21) Appl. No.: **29/379,538**

(22) Filed: **Nov. 19, 2010**

(51) **LOC (9) Cl.** **19-08**

(52) **U.S. Cl.** **D20/11**

(58) **Field of Classification Search** D20/10,
D20/11, 13, 22-29, 40, 99; 40/1.6, 5, 27.5,
40/124.01-124.09, 124.11-124.19, 124.191,
40/299.01, 306, 310-312, 315, 316, 360,
40/541, 584, 625-630, 649; D5/63, 99; D10/104,
D10/109; D11/95; D14/489; D19/1, 9;
D22/113; D24/189; D28/99; 250/462.1;
273/348, 409, 459; 283/56, 71, 76, 78, 80,
283/81; 428/40.1, 42.1-42.3, 916

See application file for complete search history.

(56) **References Cited**

U.S. PATENT DOCUMENTS

| | | | | | |
|-----------|-----|---------|--------------|-------|-----------|
| 1,342,767 | A * | 6/1920 | Schlesinger | | 250/462.1 |
| D146,109 | S * | 12/1946 | Jones et al. | | D20/11 |
| D342,283 | S * | 12/1993 | McGill | | D20/11 |
| D344,102 | S * | 2/1994 | Polak et al. | | D20/11 |
| 5,295,695 | A * | 3/1994 | Tamanini | | 273/459 |
| D367,730 | S * | 3/1996 | Chiavetta | | D28/99 |
| 5,741,062 | A * | 4/1998 | Man | | 362/208 |
| D398,158 | S * | 9/1998 | Marks | | D5/63 |

| | | | | | |
|-----------|------|---------|---------|-------|---------|
| D410,149 | S * | 5/1999 | Sweeney | | D5/63 |
| 6,213,470 | B1 * | 4/2001 | Miller | | 273/409 |
| D467,195 | S * | 12/2002 | Weaver | | D11/95 |

* cited by examiner

Primary Examiner — Mary Ann Calabrese

(74) *Attorney, Agent, or Firm* — QuickPatents, Inc.; Kevin Prince

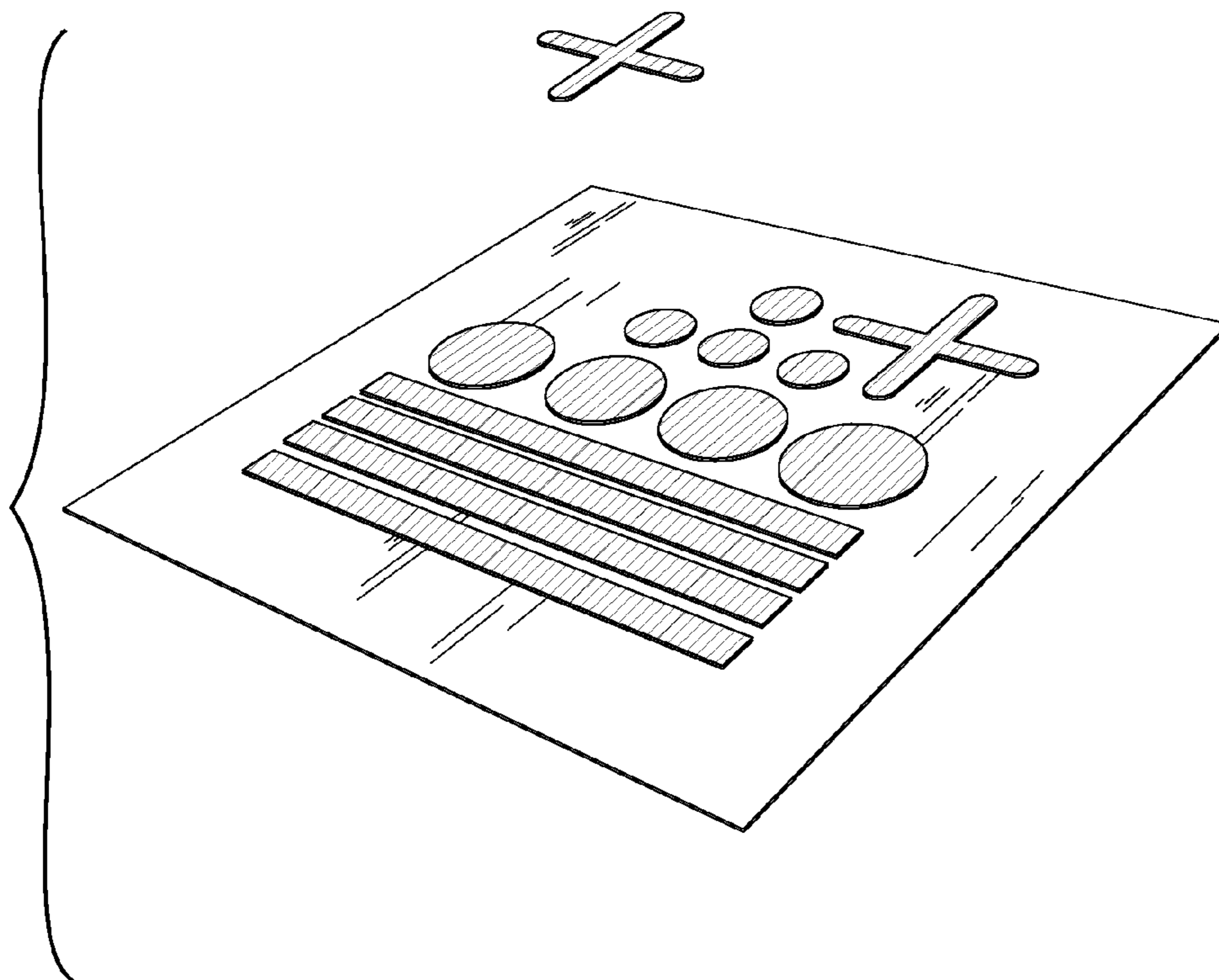
(57) **CLAIM**

What is claimed is the ornamental design for a set of target decals, as shown and described.

DESCRIPTION

FIG. 1 is an exploded perspective view of a set of target decals, showing a first embodiment of the new design;
 FIG. 2 is a front elevational view thereof;
 FIG. 3 is a rear elevational view thereof;
 FIG. 4 is a left-side elevational view thereof, the right-side elevational view being a mirror image thereof;
 FIG. 5 is a top plan view thereof;
 FIG. 6 is a bottom plan view thereof;
 FIG. 7 is a front elevational view of a second embodiment of the design, the rear elevational view thereof being identical to FIG. 3; and,
 FIG. 8 is a left-side elevational view thereof, the right-side elevational view, top plan view, and bottom plan view all being identical thereto.
 The front element of the claimed design is shown lined for the color red.

1 Claim, 3 Drawing Sheets



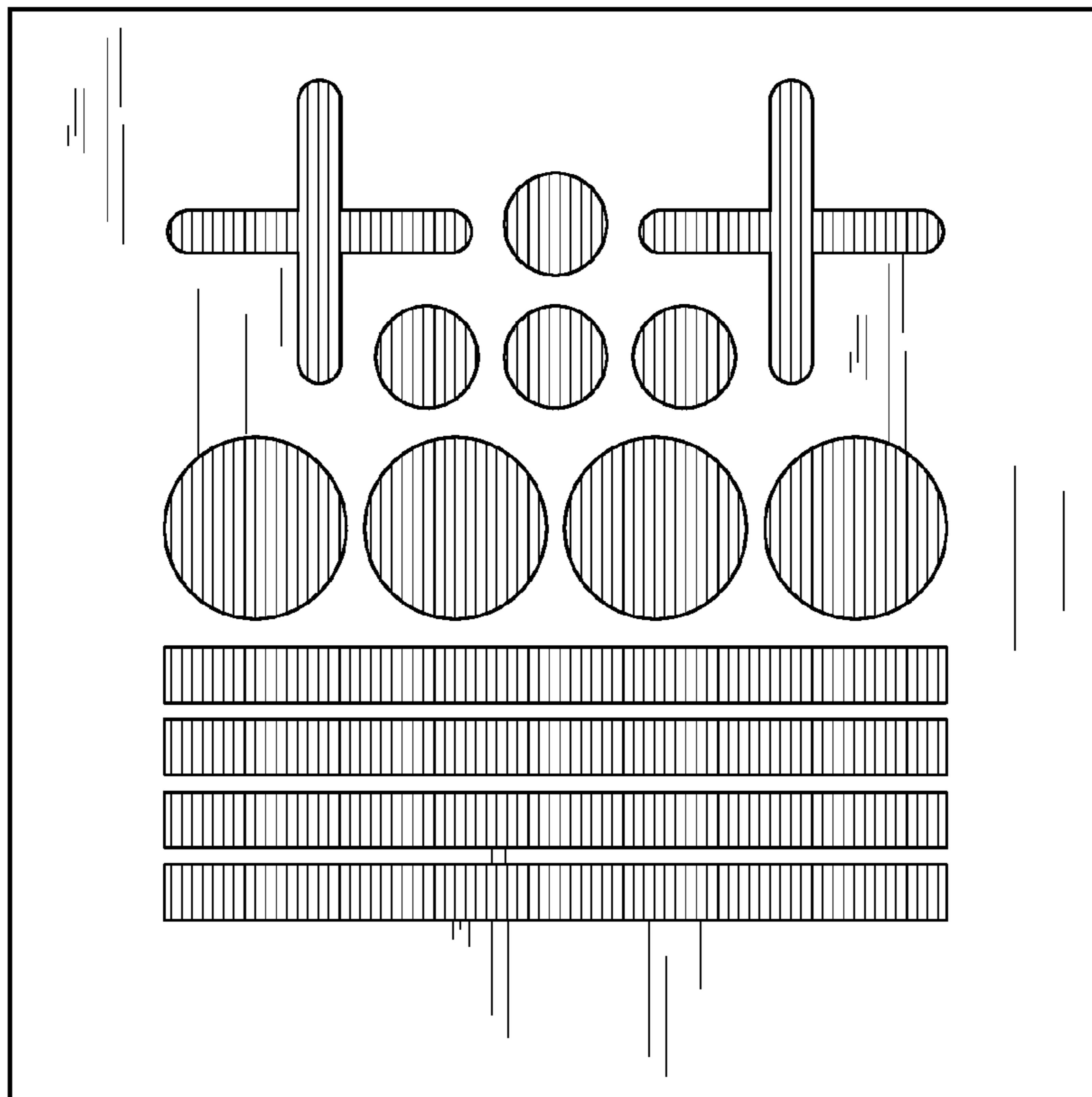
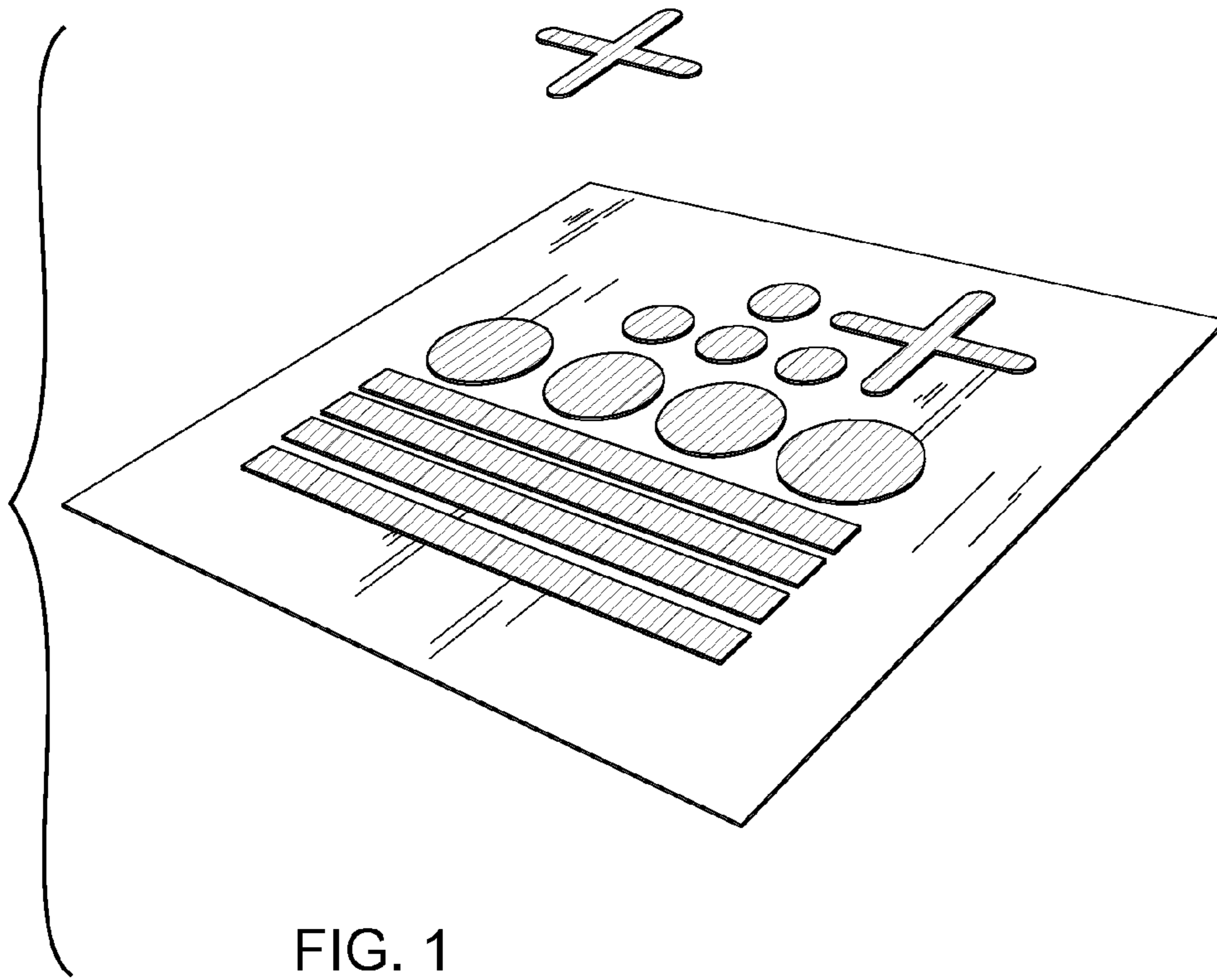




FIG. 3

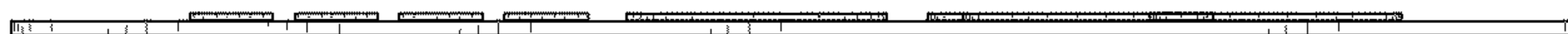


FIG. 4

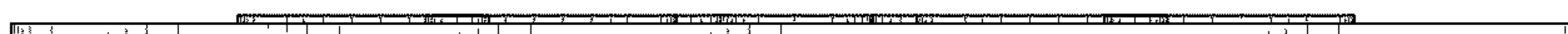


FIG. 5



FIG. 6

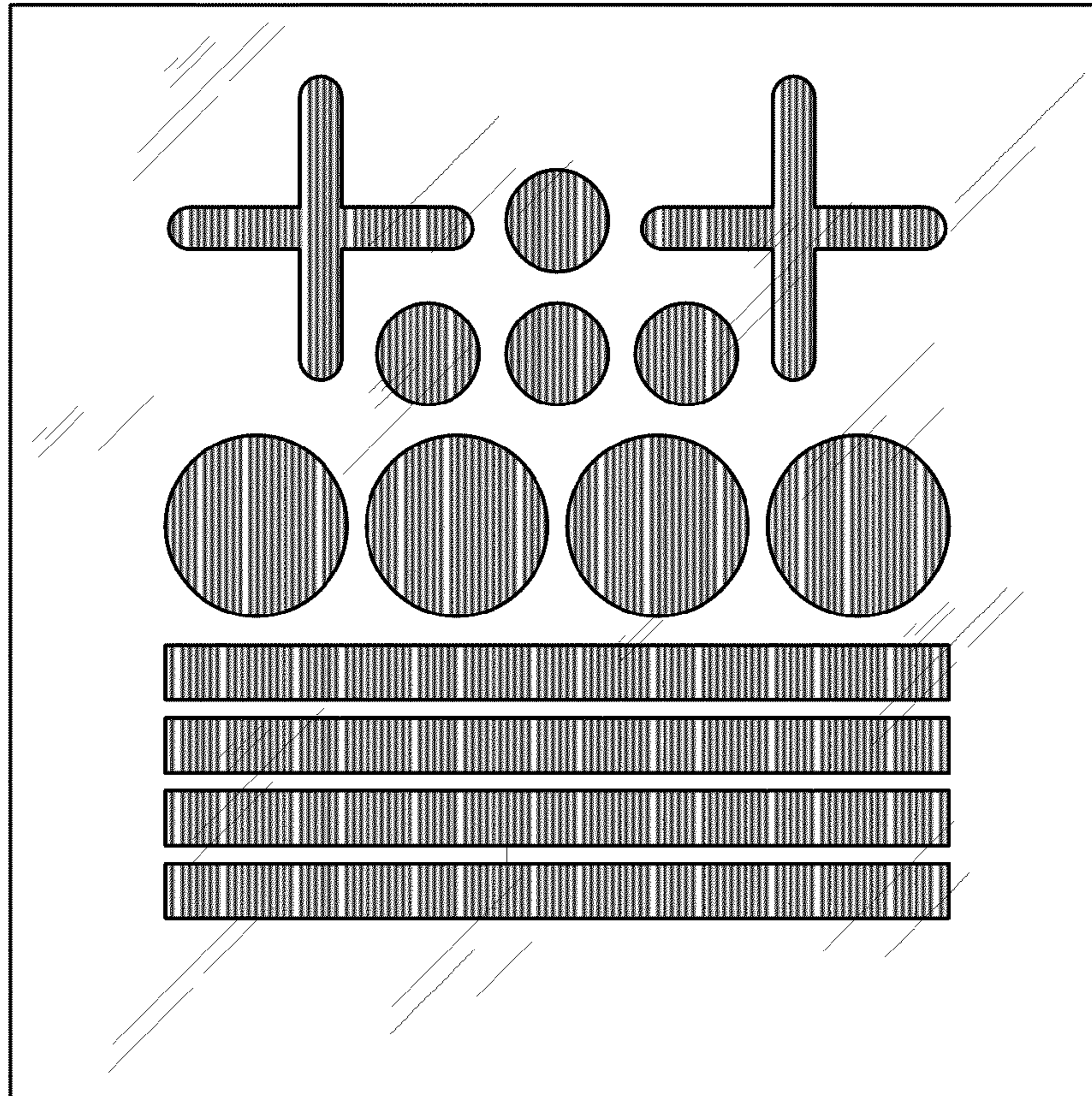


FIG. 7



FIG. 8