

US00D648803S

(12) **United States Design Patent**
DeBlonk et al.

(10) **Patent No.:** **US D648,803 S**
(45) **Date of Patent:** **** Nov. 15, 2011**

(54) **BASKETBALL STANCHION DISPLAY**

(75) Inventors: **Jay DeBlonk**, Brookings, SD (US);
Lane A. Munson, Brookings, SD (US);
Douglas John Criddle, Brookings, SD
(US); **Tom Kreutner**, Brookings, SD
(US); **Adam Howard**, Brookings, SD
(US)

(73) Assignee: **Daktronics, Inc.**, Brookings, SD (US)

(**) Term: **14 Years**

(21) Appl. No.: **29/385,741**

(22) Filed: **Feb. 18, 2011**

(51) **LOC (9) Cl.** **20-03**

(52) **U.S. Cl.** **D20/10; D20/18; D20/42**

(58) **Field of Classification Search** D20/10,
D20/15, 17-19, 21, 39-42, 99; 40/368, 446,
40/538, 541, 542, 549, 553, 654, 568, 570,
40/572, 574, 575, 577, 580, 581, 582, 584,
40/585, 594, 597, 600, 615, 617-619, 621,
40/649; D10/109; 362/812

See application file for complete search history.

(56) **References Cited**

U.S. PATENT DOCUMENTS

D40,232 S *	8/1909	Staby	D20/42
D74,852 S *	4/1928	Browne et al.	D20/39
D217,653 S *	5/1970	Lofgren	D20/10
D281,790 S *	12/1985	Cobbe	D20/10

4,848,016 A *	7/1989	Downing	40/575
D307,037 S *	4/1990	Downing	D20/10
D351,862 S *	10/1994	Jarrett	D20/39
D369,624 S *	5/1996	Richardson	D20/42
5,933,994 A *	8/1999	Misraresh	40/649
6,449,888 B1 *	9/2002	Gibbs	40/575

* cited by examiner

Primary Examiner — Mary Ann Calabrese

(74) *Attorney, Agent, or Firm* — Schwegman, Lundberg & Woessner, P.A.

(57) **CLAIM**

The ornamental design for a basketball stanchion display, as shown and described.

DESCRIPTION

FIG. 1 is a front view of a basketball stanchion display, showing the new design, positioned on a basketball stanchion.

FIG. 2 is a back view of the basketball stanchion display, positioned on the basketball stanchion.

FIG. 3 is a perspective view of the basketball stanchion display.

FIG. 4 is a front view of the basketball stanchion display.

FIG. 5 is a back view of the basketball stanchion display.

FIG. 6 is a top view of the basketball stanchion display.

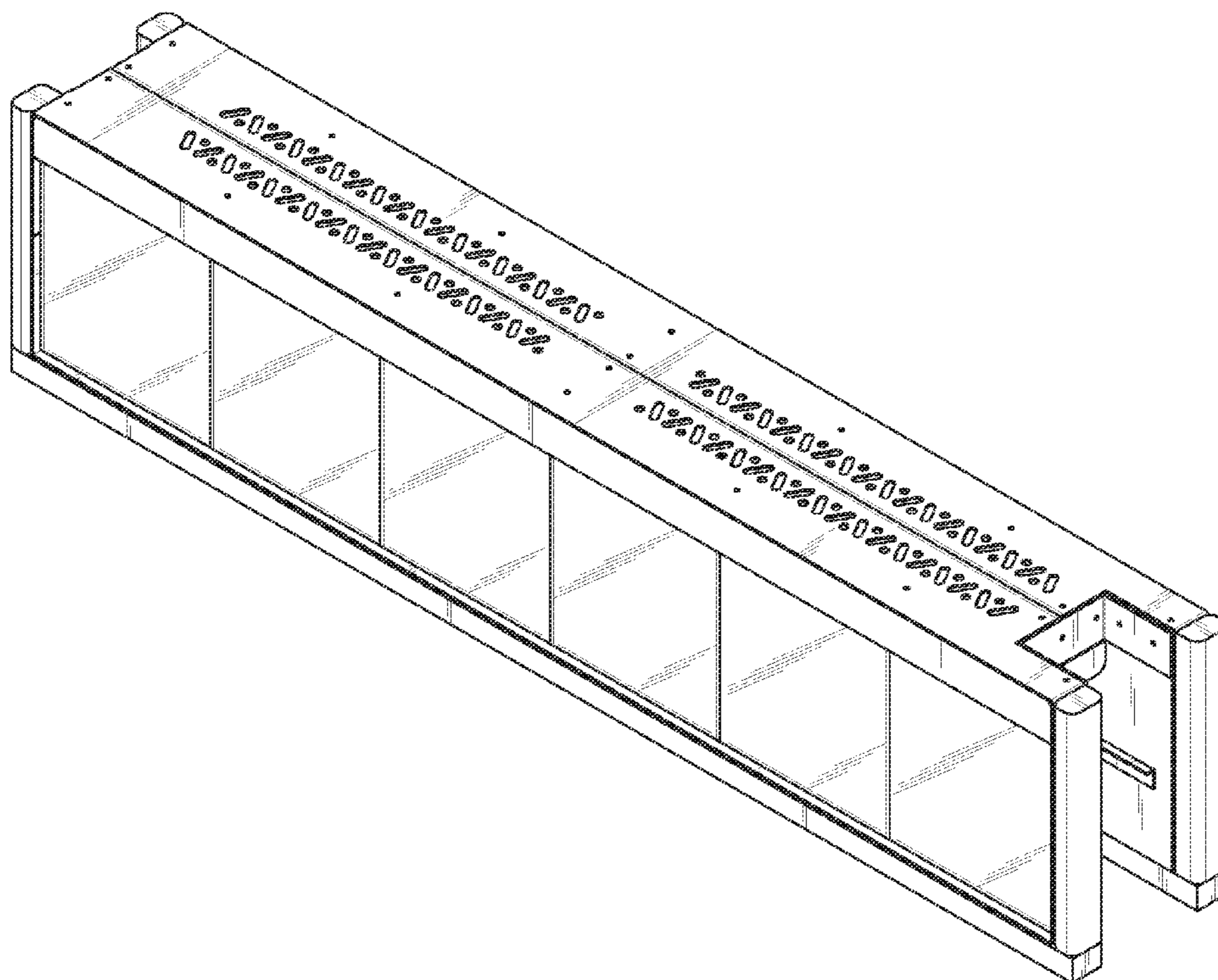
FIG. 7 is a bottom view of the basketball stanchion display.

FIG. 8 is a right side view of the basketball stanchion display; and,

FIG. 9 is a left side view of the basketball stanchion display.

The broken lines depict environmental subject matter only and form no part of the claimed design.

1 Claim, 8 Drawing Sheets



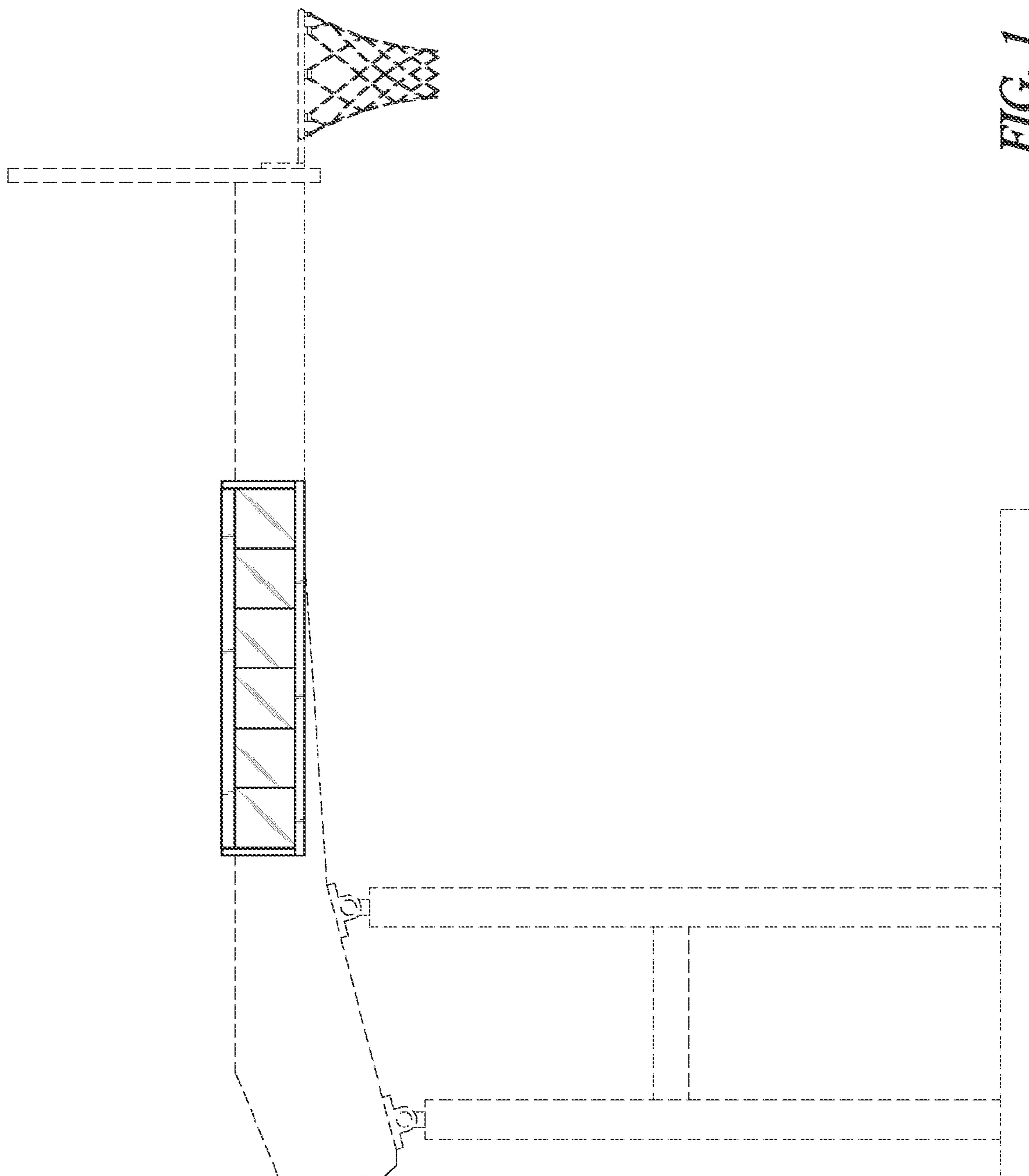


FIG. 1

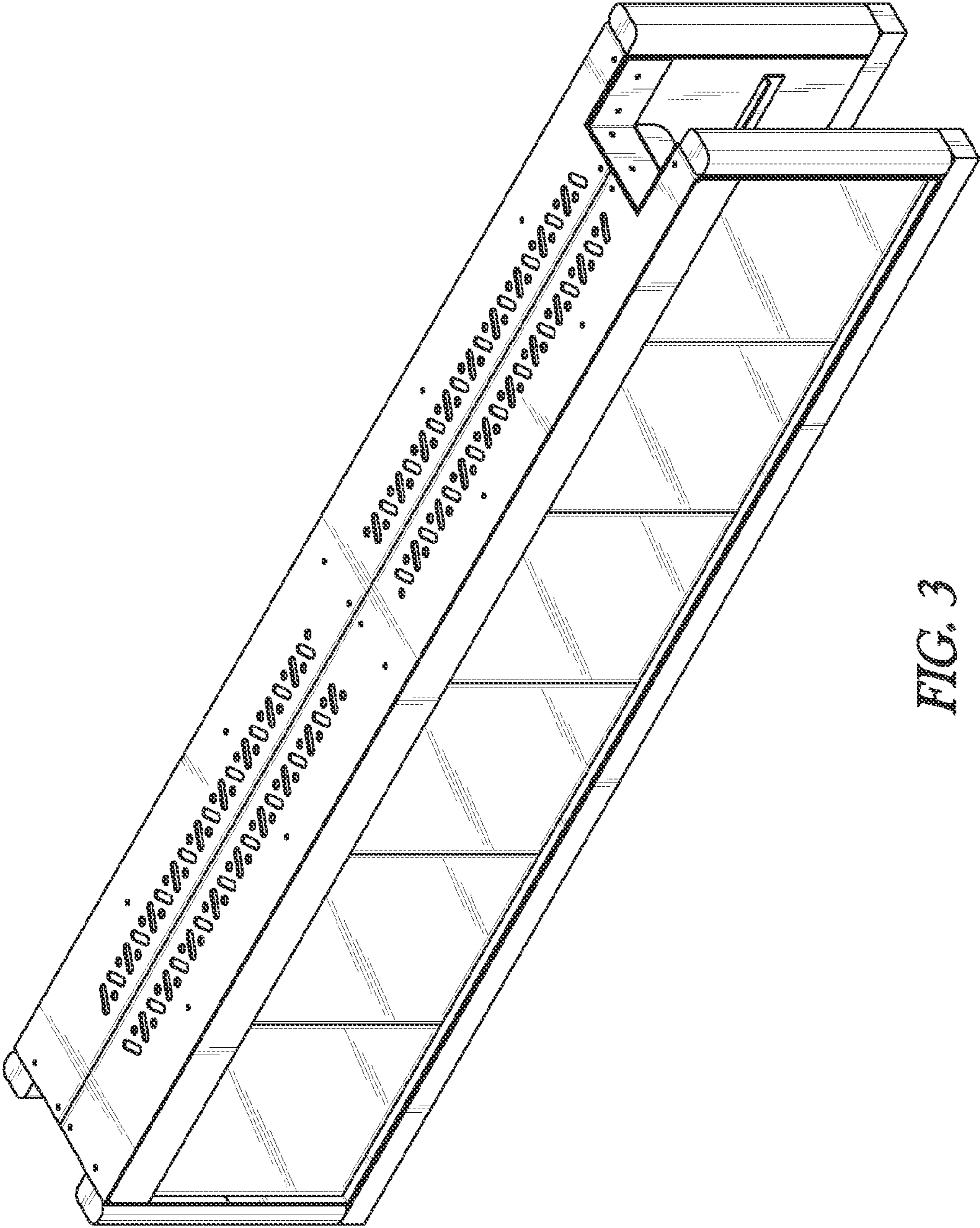


FIG. 3

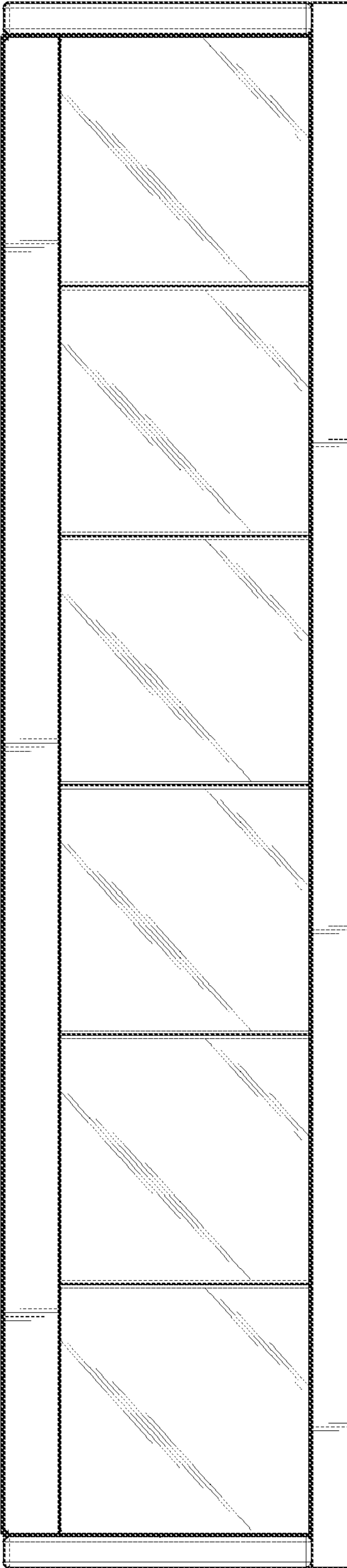


FIG. 4

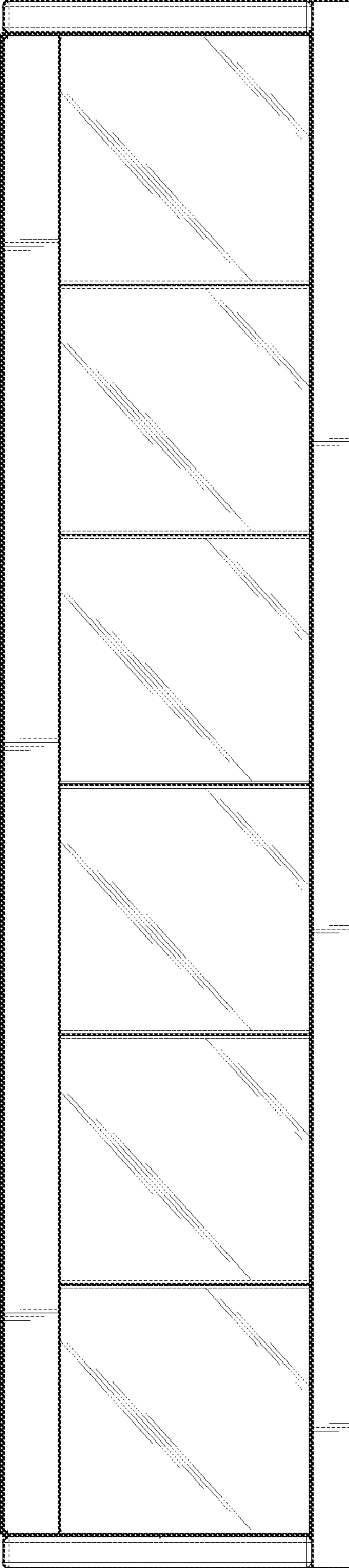


FIG. 5

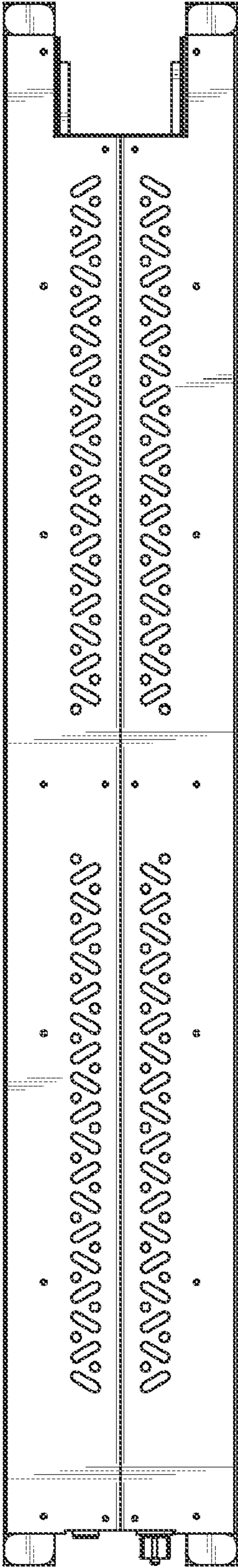


FIG. 6

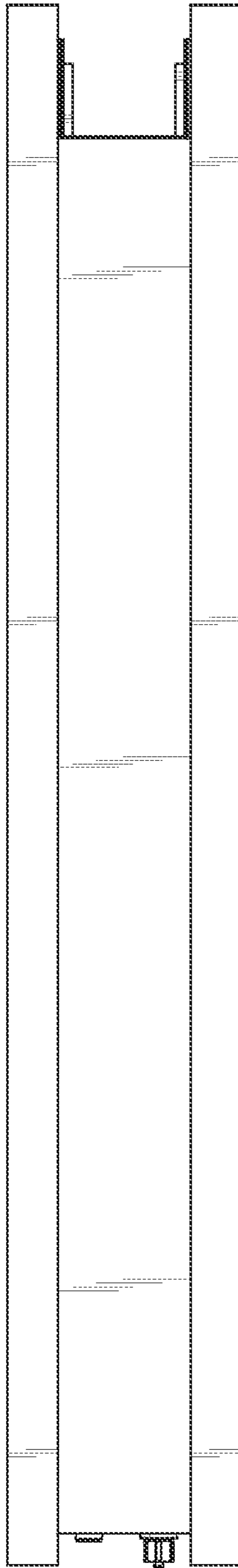


FIG. 7

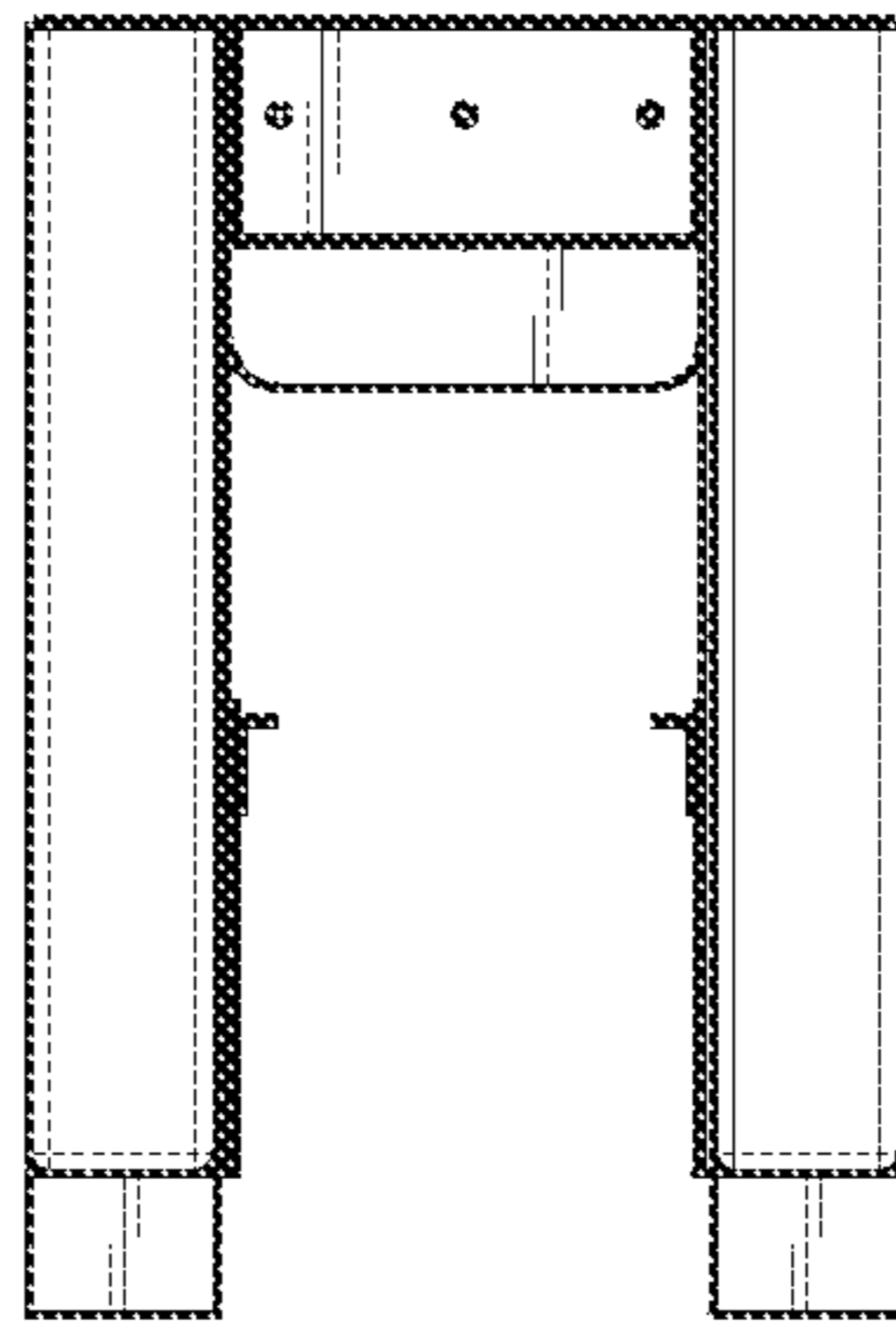


FIG. 8

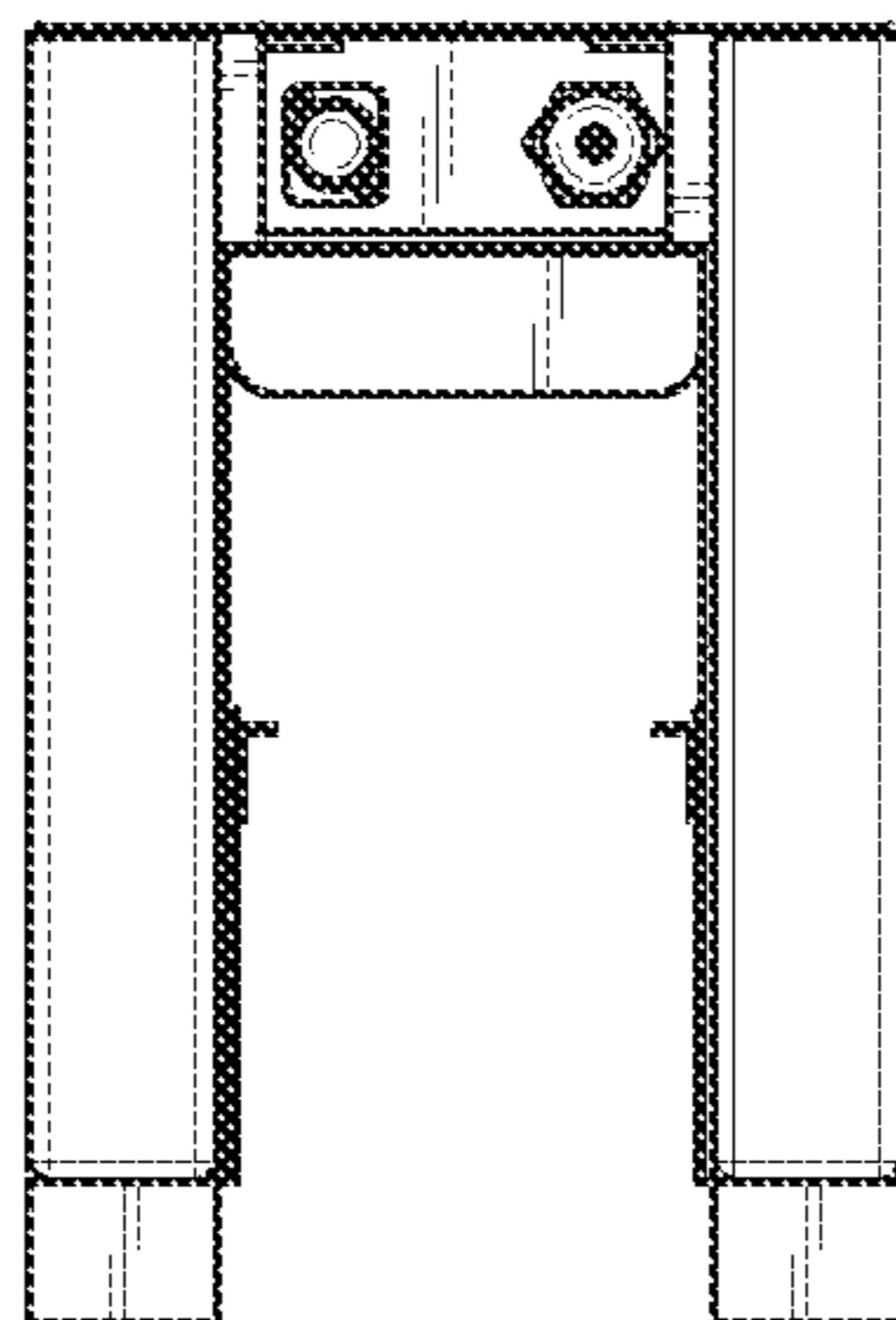


FIG. 9