



US00D648799S

(12) **United States Design Patent**
Shimizu

(10) **Patent No.:** **US D648,799 S**

(45) **Date of Patent:** **** Nov. 15, 2011**

(54) **CORRECTION TAPE TRANSCRIBER**

(75) Inventor: **Kazuhisa Shimizu**, Tokyo (JP)

(73) Assignee: **Pentel Kabushiki Kaisha** (JP)

(**) Term: **14 Years**

(21) Appl. No.: **29/348,080**

(22) Filed: **Nov. 24, 2009**

(30) **Foreign Application Priority Data**

May 26, 2009 (JP) 2009-011678

(51) **LOC (9) Cl.** **19-02**

(52) **U.S. Cl.** **D19/69**

(58) **Field of Classification Search** D19/66,
D19/67, 68, 69, 70; 156/523, 257, 540, 577;
206/411; 225/6, 25, 39, 77; 242/588, 588.1,
242/588.2, 588.3, 588.6, 5

See application file for complete search history.

(56) **References Cited**

U.S. PATENT DOCUMENTS

D207,986 S *	6/1967	Smalley	D23/250
D265,232 S *	6/1982	Ronvik	D23/250
D290,494 S *	6/1987	Dragos	D23/250
D307,938 S *	5/1990	Fish	D23/367
D337,151 S *	7/1993	Yost	D23/250
D372,736 S *	8/1996	Stabler	D19/57
D376,192 S *	12/1996	Bavoso	D23/250

D451,960 S *	12/2001	Shimizu	D19/69
D457,915 S *	5/2002	Carroll et al.	D19/36
D527,766 S *	9/2006	Mitsui et al.	D19/69
D539,351 S *	3/2007	Mitsui et al.	D19/69
D559,912 S *	1/2008	Kai et al.	D19/69
D571,402 S *	6/2008	Kai et al.	D19/69
D592,702 S *	5/2009	Kai et al.	D19/69
D598,498 S *	8/2009	Kinugasa et al.	D19/69
D607,056 S *	12/2009	Kinugasa et al.	D19/69
7,703,715 B2 *	4/2010	Kinugasa et al.	242/588.6
7,793,883 B2 *	9/2010	Kinugasa et al.	242/588.6
7,866,362 B2 *	1/2011	Kai et al.	156/540
7,900,679 B2 *	3/2011	Kinugasa et al.	156/577

* cited by examiner

Primary Examiner — Austin Murphy

(74) *Attorney, Agent, or Firm* — Adams & Wilks

(57) **CLAIM**

The ornamental design for a correction tape transcriber, as shown and described.

DESCRIPTION

FIG. 1 is a perspective view of the front, top plan and left side of a correction tape transcriber showing my new design;

FIG. 2 is a front view thereof;

FIG. 3 is a rear view thereof;

FIG. 4 is a top plan view thereof;

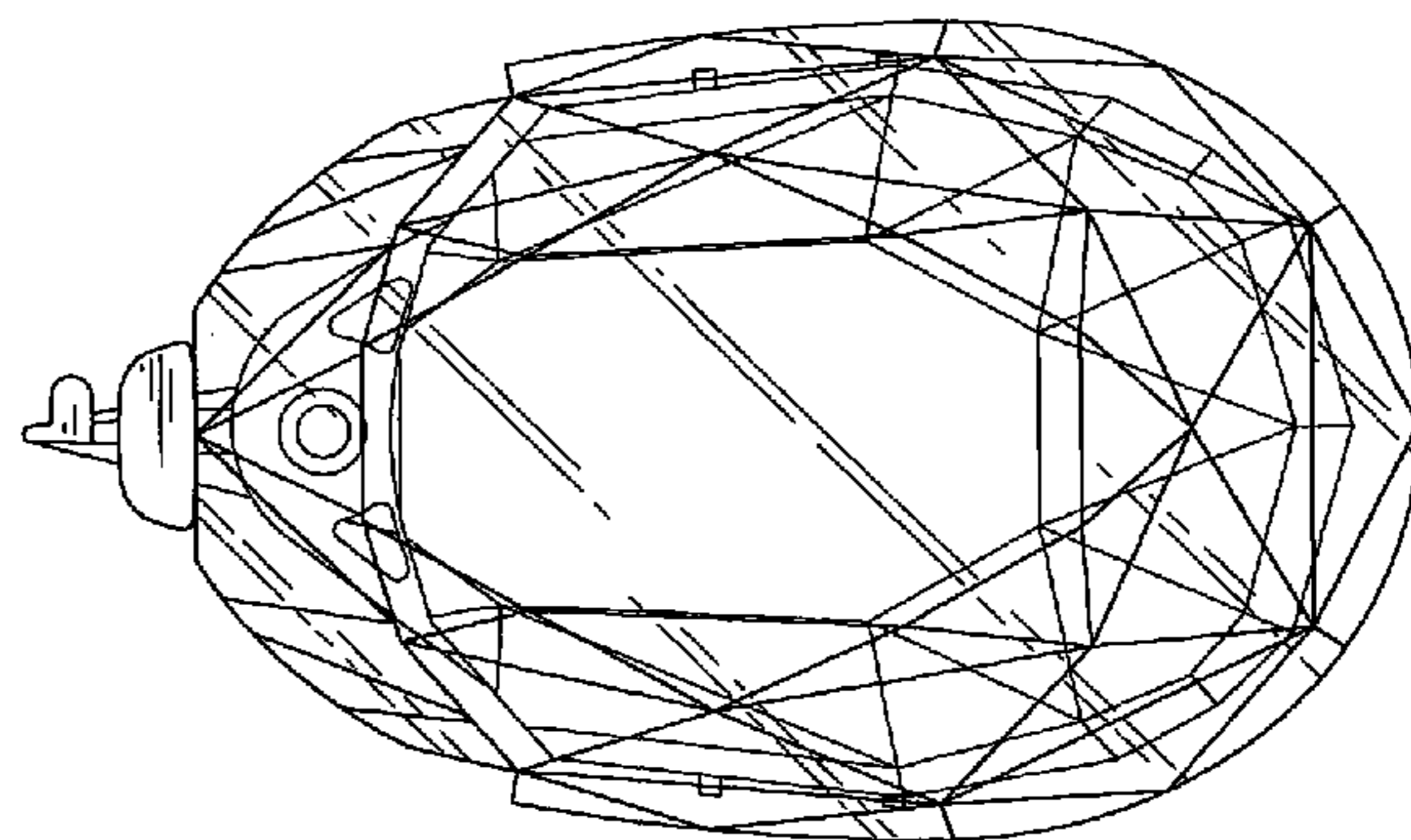
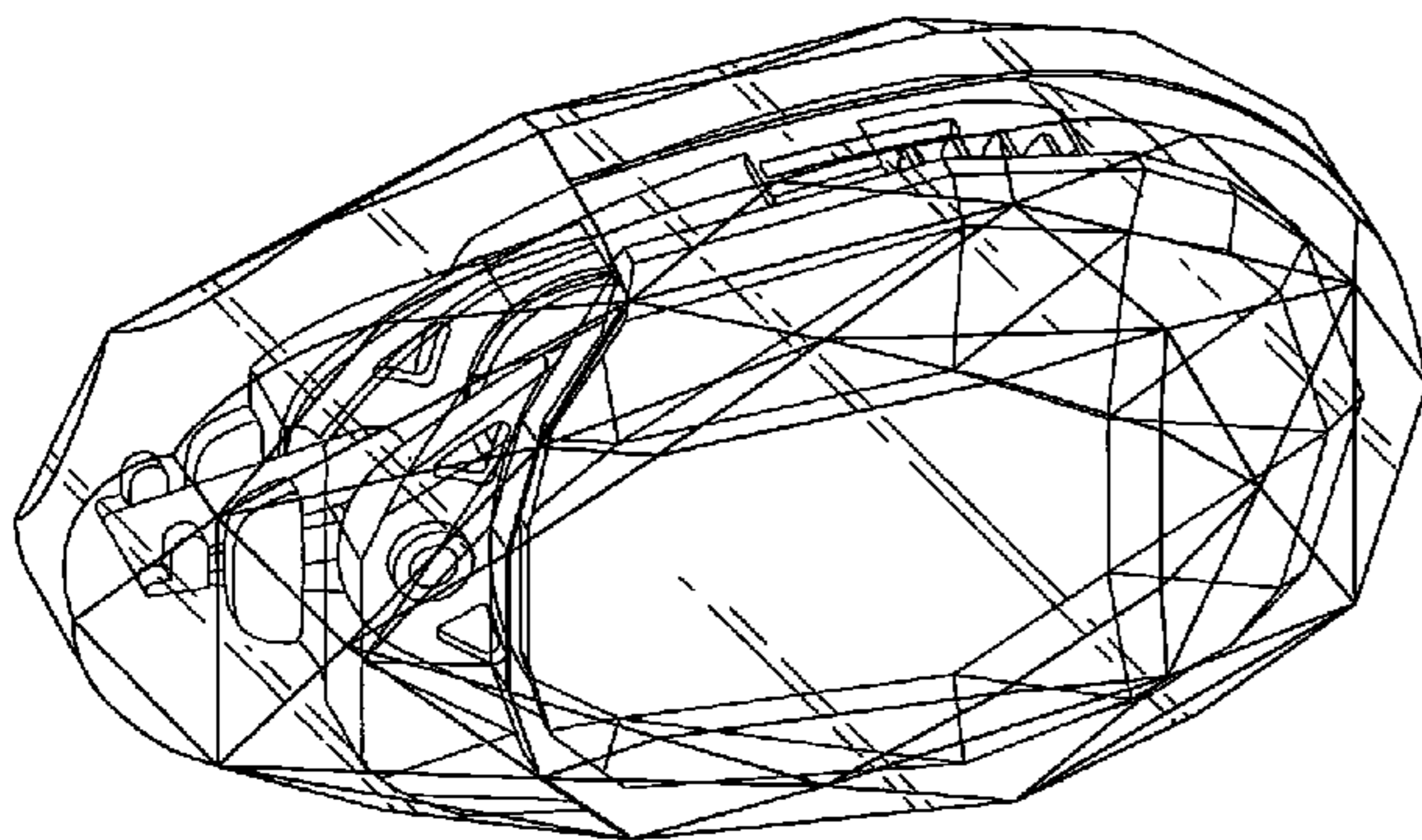
FIG. 5 is a bottom view thereof;

FIG. 6 is a left side view thereof;

FIG. 7 is a right side view thereof; and,

FIG. 8 is a front view of the correction tape transcriber with the front cap portion shown removed.

1 Claim, 4 Drawing Sheets



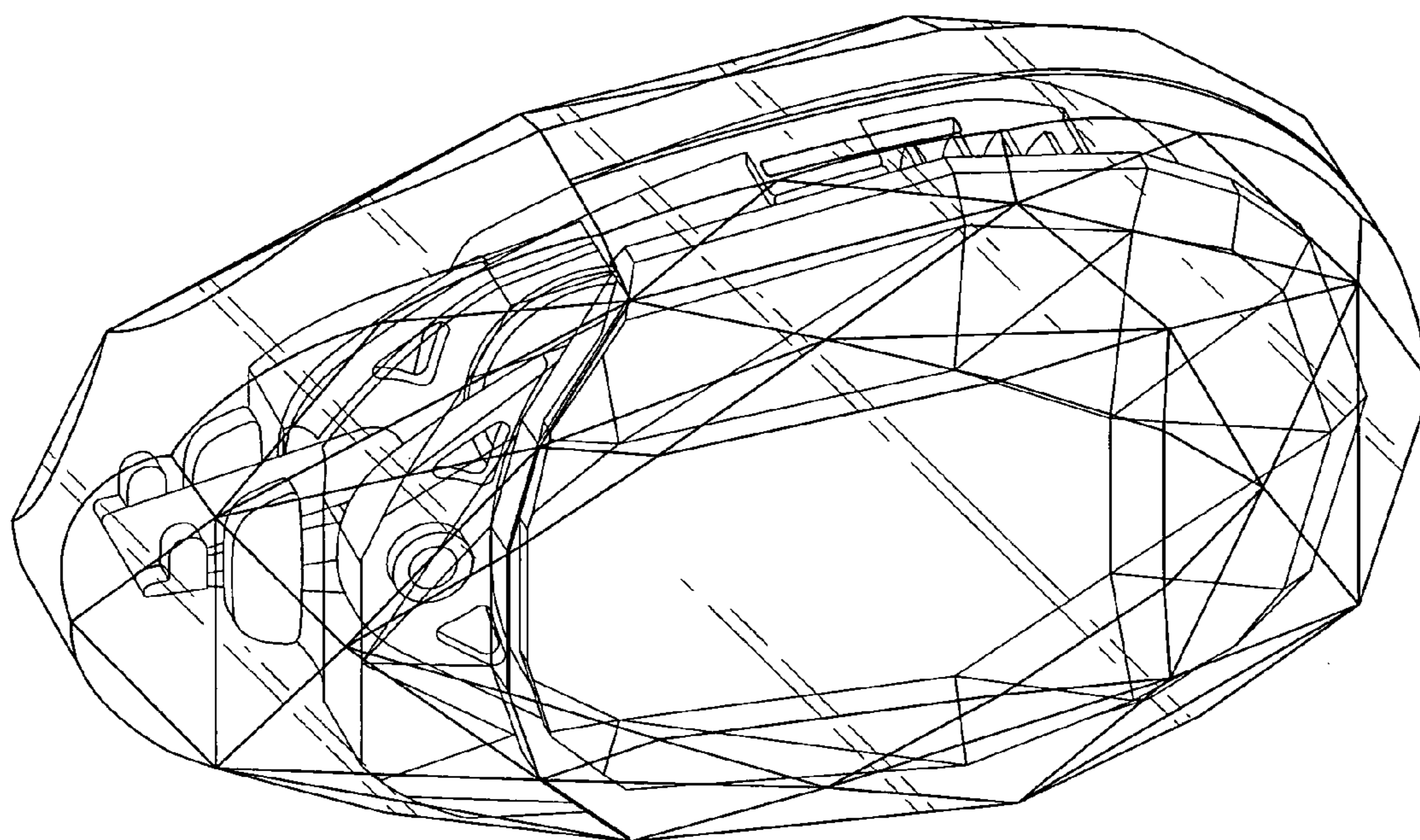


FIG. 1

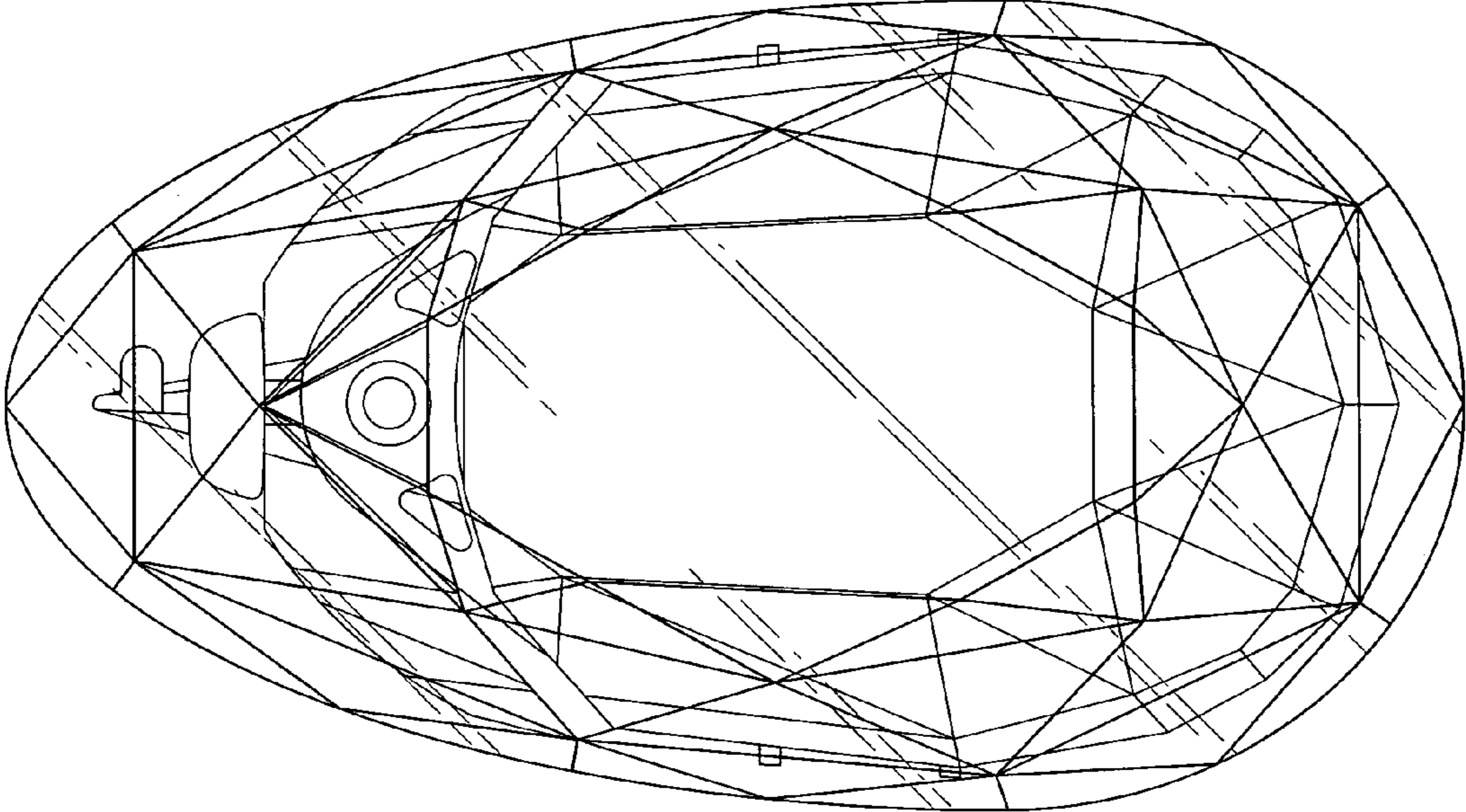


FIG. 2

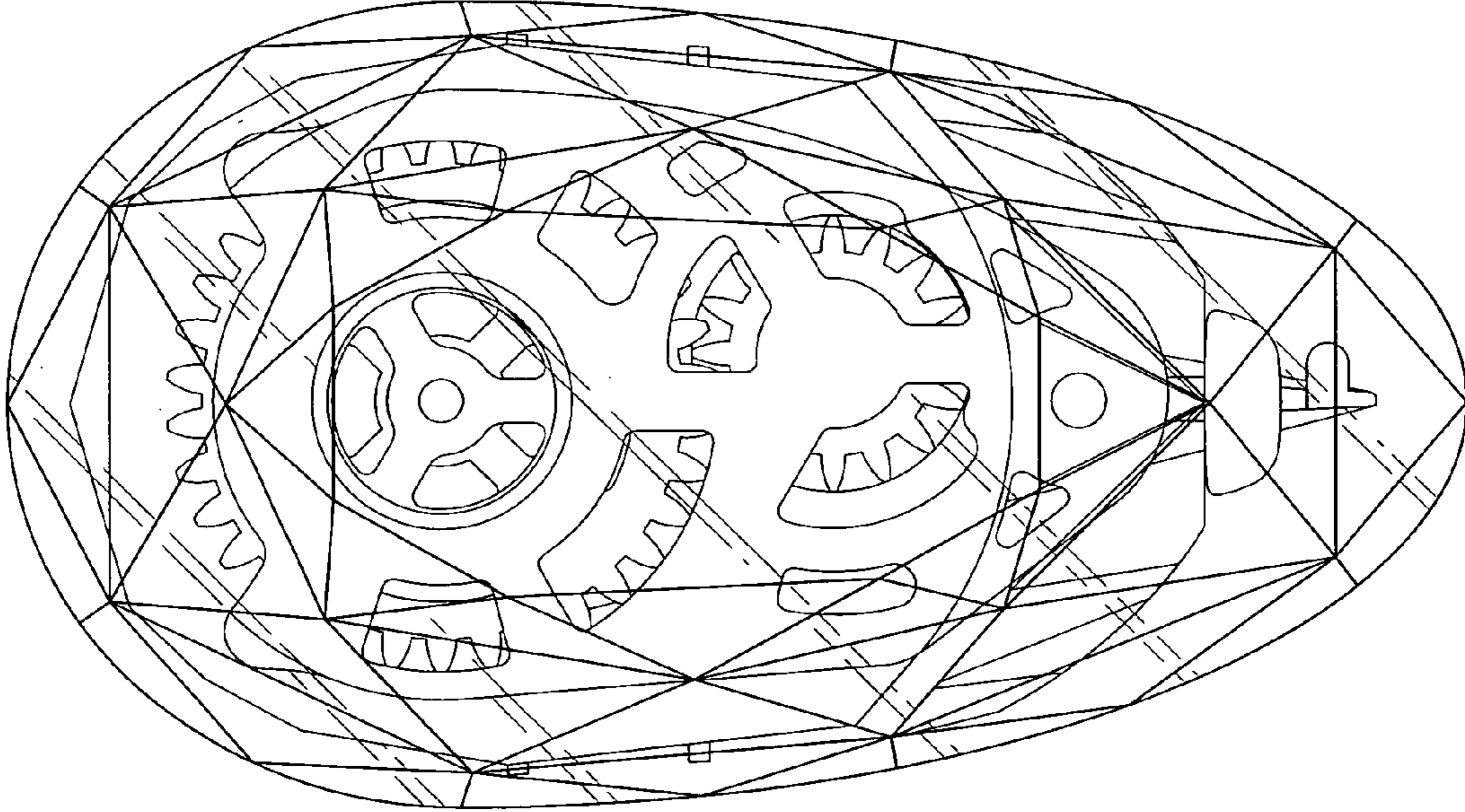


FIG. 3

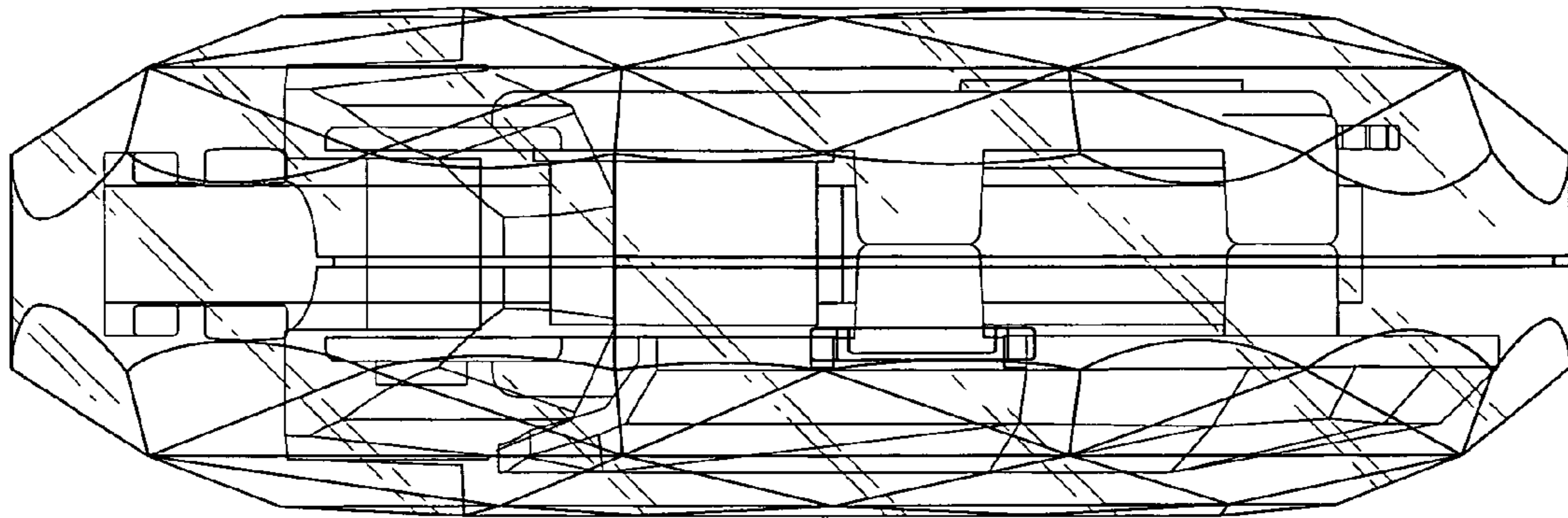


FIG. 4

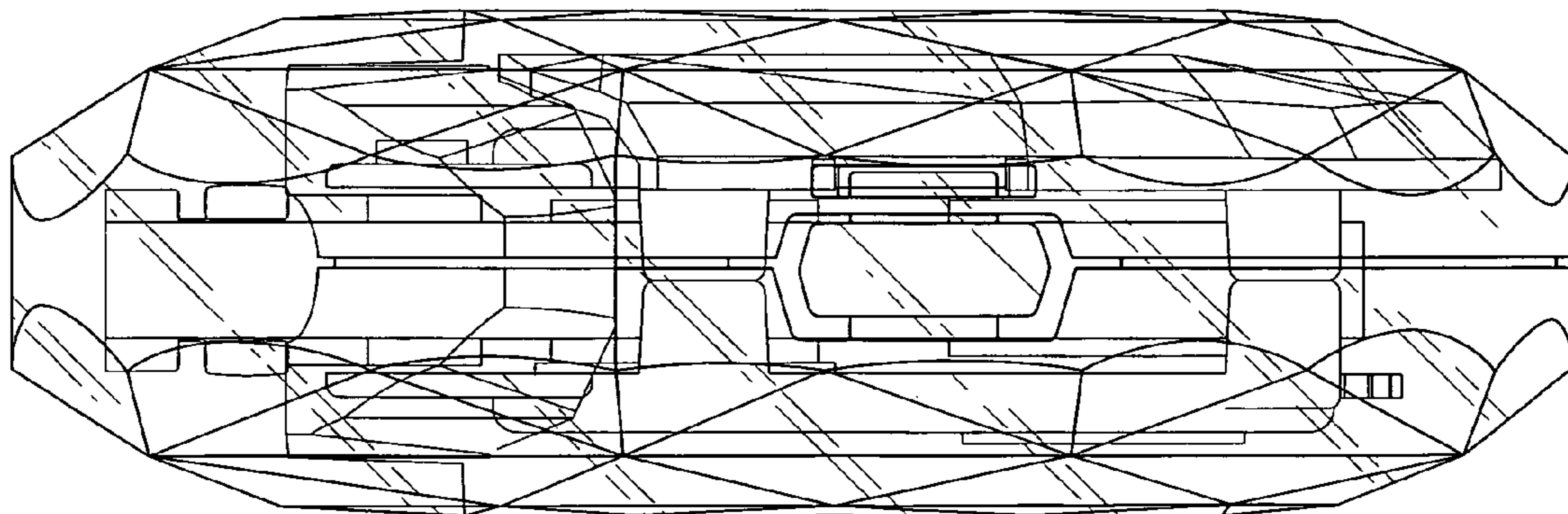


FIG. 5

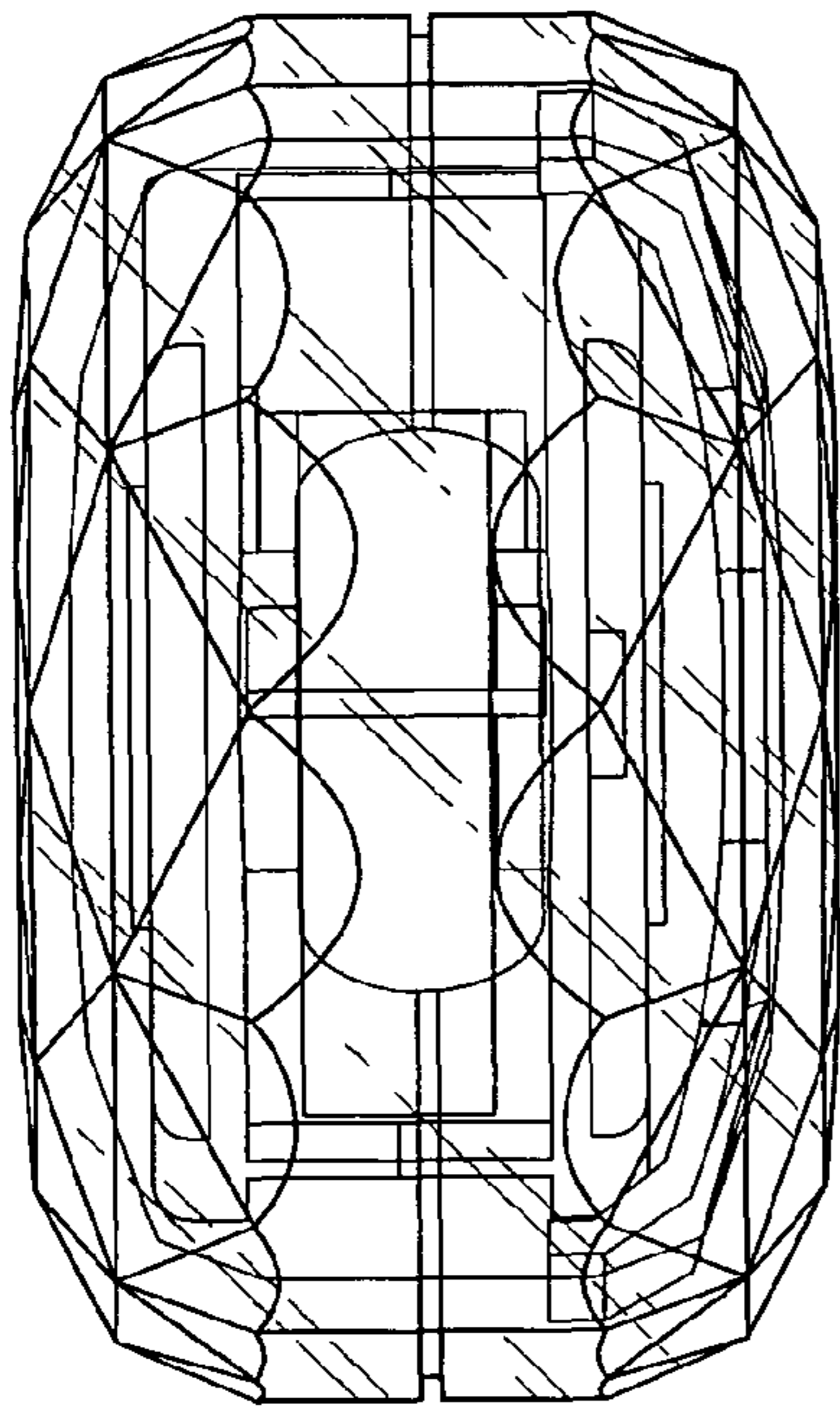


FIG. 6

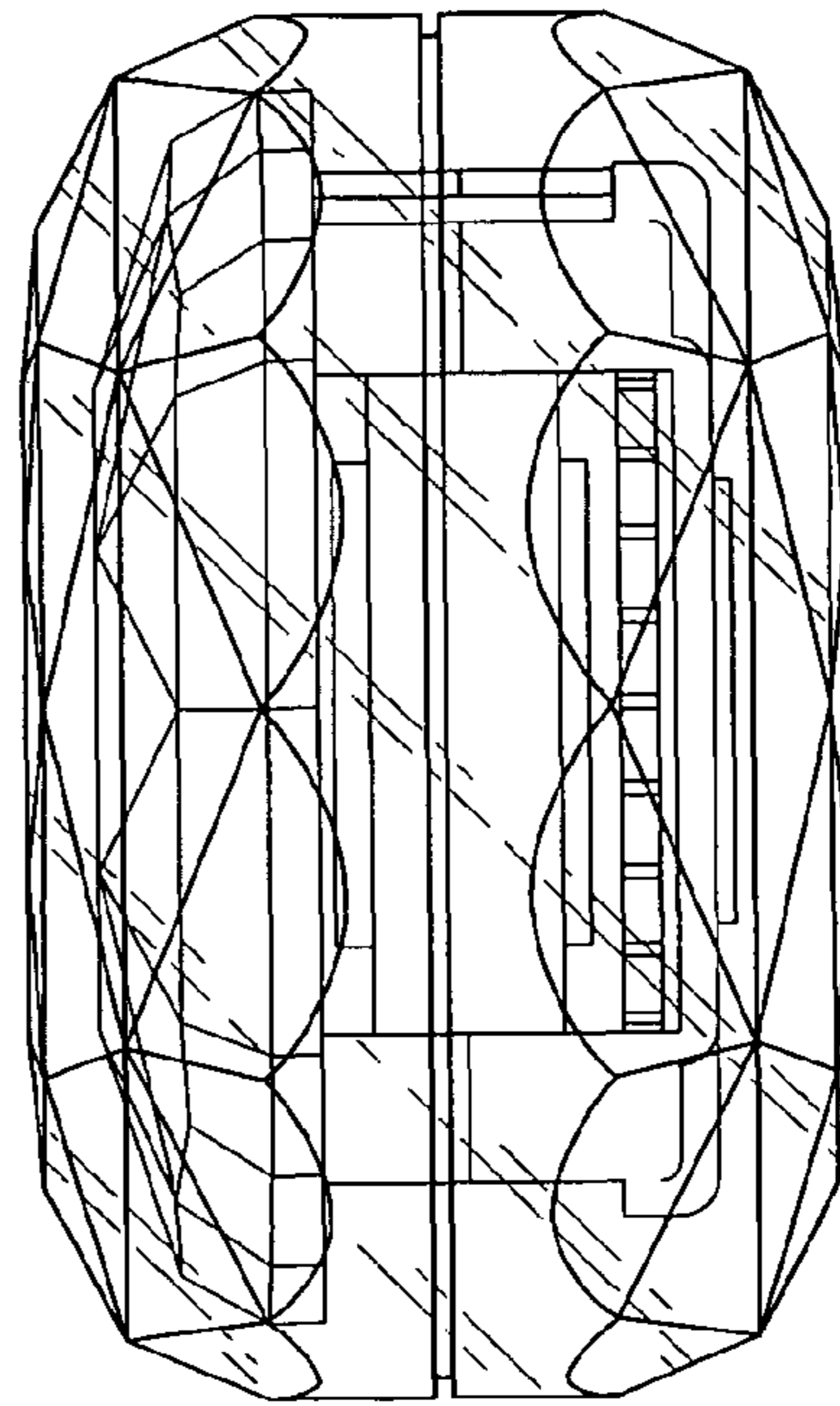


FIG. 7

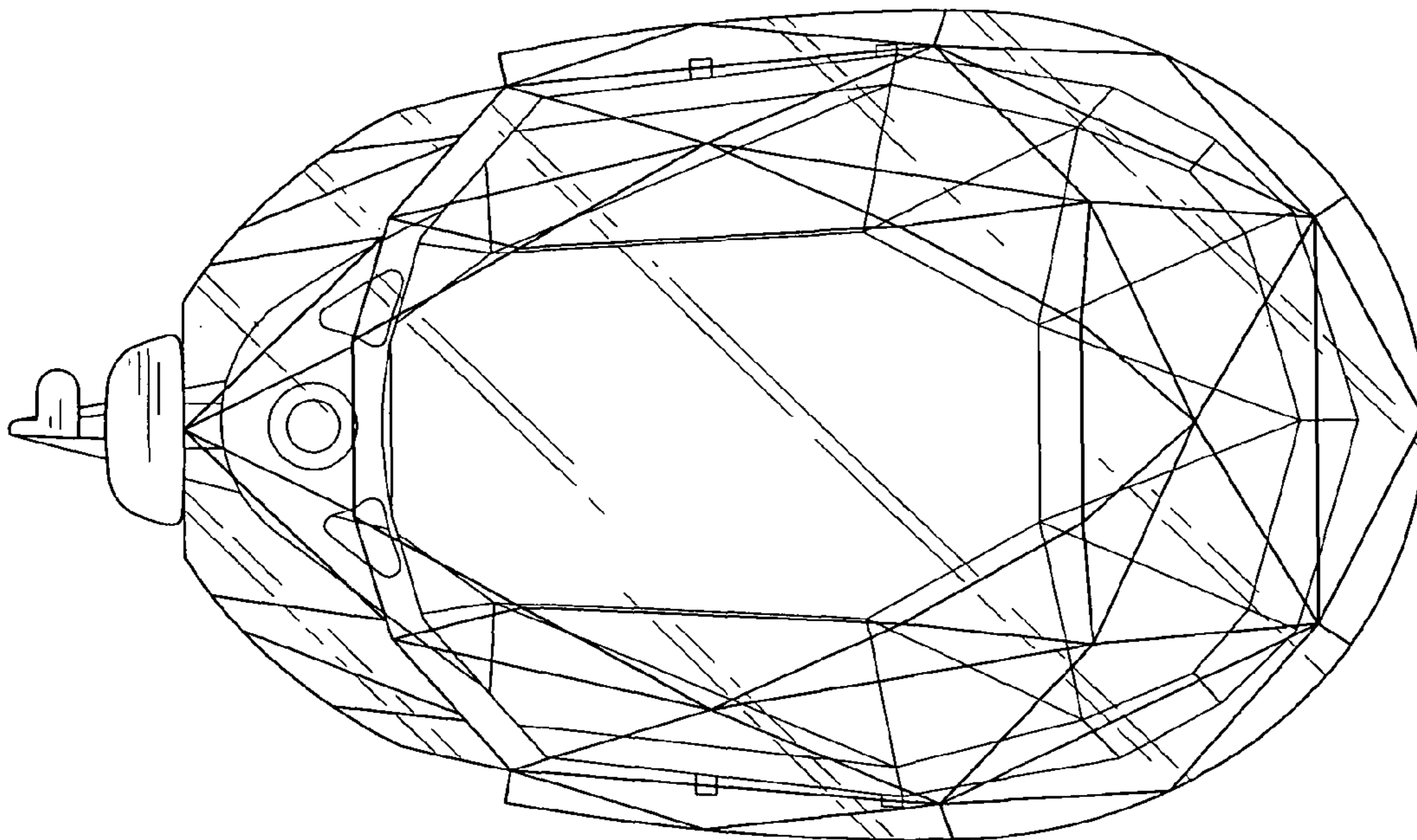


FIG. 8