



US00D648790S

(12) **United States Design Patent**  
**Nakazawa**

(10) **Patent No.:** **US D648,790 S**

(45) **Date of Patent:** **\*\* Nov. 15, 2011**

(54) **BALLPOINT PEN**

(75) Inventor: **Hidekazu Nakazawa**, Tokyo (JP)

(73) Assignee: **Pentel Kabushiki Kaisha** (JP)

(\*\*) Term: **14 Years**

(21) Appl. No.: **29/349,556**

(22) Filed: **Apr. 14, 2010**

(30) **Foreign Application Priority Data**

Oct. 16, 2009 (JP) ..... 2009-024379

(51) **LOC (9) Cl.** ..... **19-06**

(52) **U.S. Cl.** ..... **D19/50**

(58) **Field of Classification Search** ..... D19/35,  
D19/36, 41-51, 54-58; 24/11 F, 11 P, 11 R;  
401/52, 99, 100, 104-109, 192, 195, 196  
See application file for complete search history.

(56) **References Cited**

**U.S. PATENT DOCUMENTS**

D404,070 S *	1/1999	Hasegawa	.....	D19/51
D407,114 S *	3/1999	Sakuno	.....	D19/48
D458,964 S *	6/2002	Nakazawa	.....	D19/48
D472,577 S *	4/2003	Sakuno et al.	.....	D19/51
D472,928 S *	4/2003	Ikeda	.....	D19/51
D490,108 S *	5/2004	Moon	.....	D19/50
D499,139 S *	11/2004	Oka	.....	D19/47
D562,895 S *	2/2008	Shibata	.....	D19/50
D563,473 S *	3/2008	Qiu et al.	.....	D19/50

D587,752 S *	3/2009	Shimizu	.....	D19/50
D594,059 S *	6/2009	Shibata	.....	D19/48
D603,897 S *	11/2009	Nakazawa	.....	D19/49
D611,535 S *	3/2010	Shimizu	.....	D19/48
D619,169 S *	7/2010	Kent et al.	.....	D19/48
D619,170 S *	7/2010	Kent et al.	.....	D19/55
D622,317 S *	8/2010	Li	.....	D19/50
D629,461 S *	12/2010	Shibata	.....	D19/49
D630,247 S *	1/2011	Shimizu	.....	D19/50
D631,913 S *	2/2011	Li	.....	D19/48

\* cited by examiner

*Primary Examiner* — Elizabeth Albert

(74) *Attorney, Agent, or Firm* — Adams & Wilks

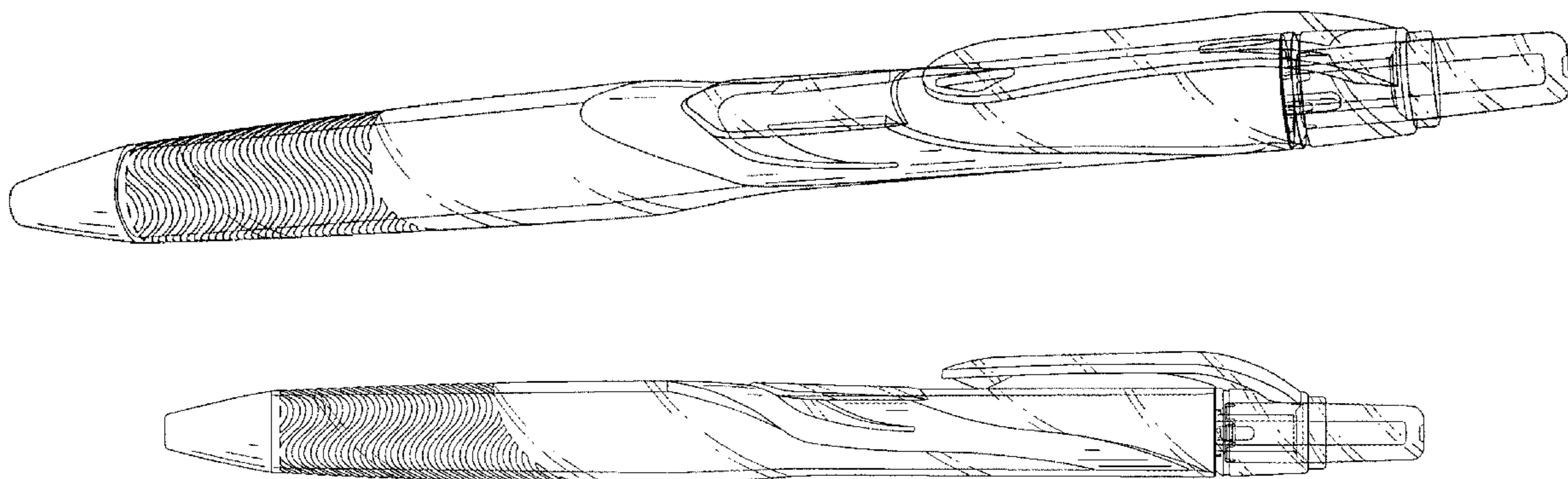
(57) **CLAIM**

The ornamental design for a ballpoint pen, as shown and described.

**DESCRIPTION**

FIG. 1 is a perspective view of the front, bottom and right side of a ballpoint pen showing my new design;  
FIG. 2 is a front view thereof;  
FIG. 3 is a bottom view, a top plan view being a mirror image thereof;  
FIG. 4 is a rear view thereof;  
FIG. 5 is a left side view thereof;  
FIG. 6 is an enlarged left side view thereof;  
FIG. 7 is a right side view thereof;  
FIG. 8 is an enlarged right side view thereof; and,  
FIG. 9 is a bottom view thereof, with the writing tip extended.

**1 Claim, 5 Drawing Sheets**



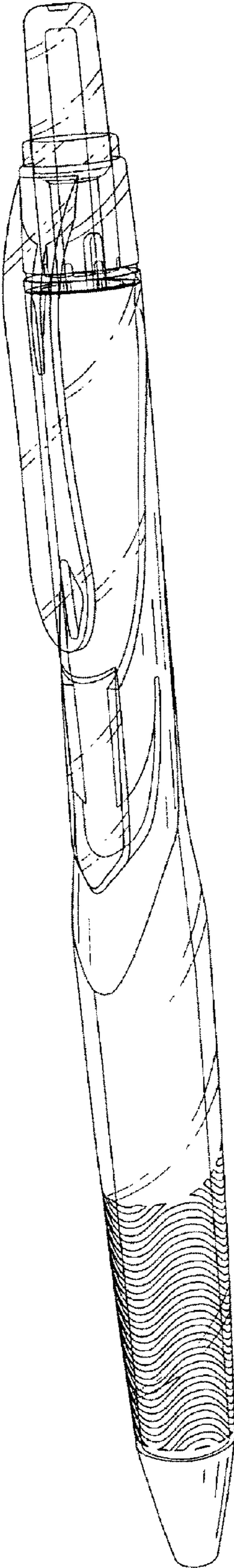


FIG. 1

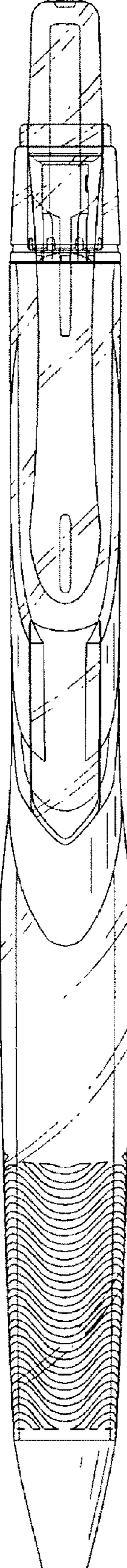


FIG. 2

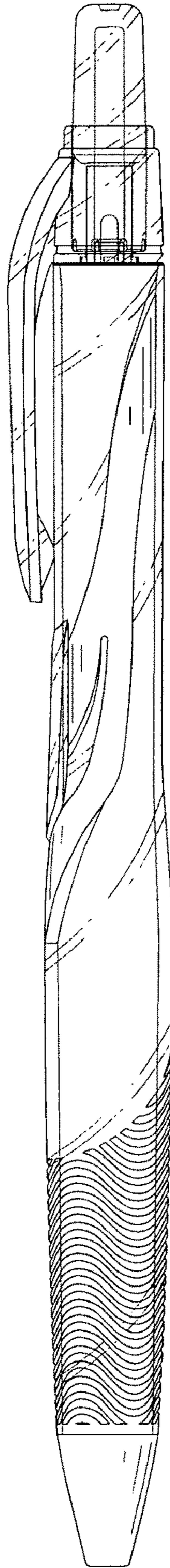


FIG. 3

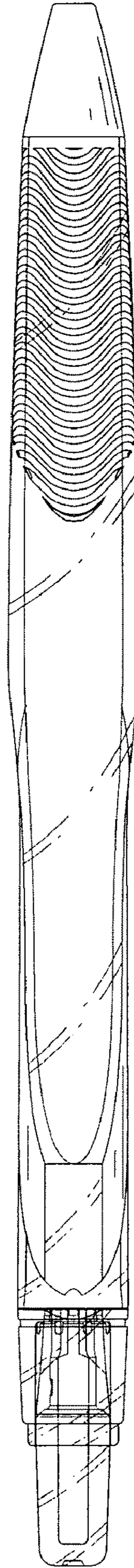


FIG. 4

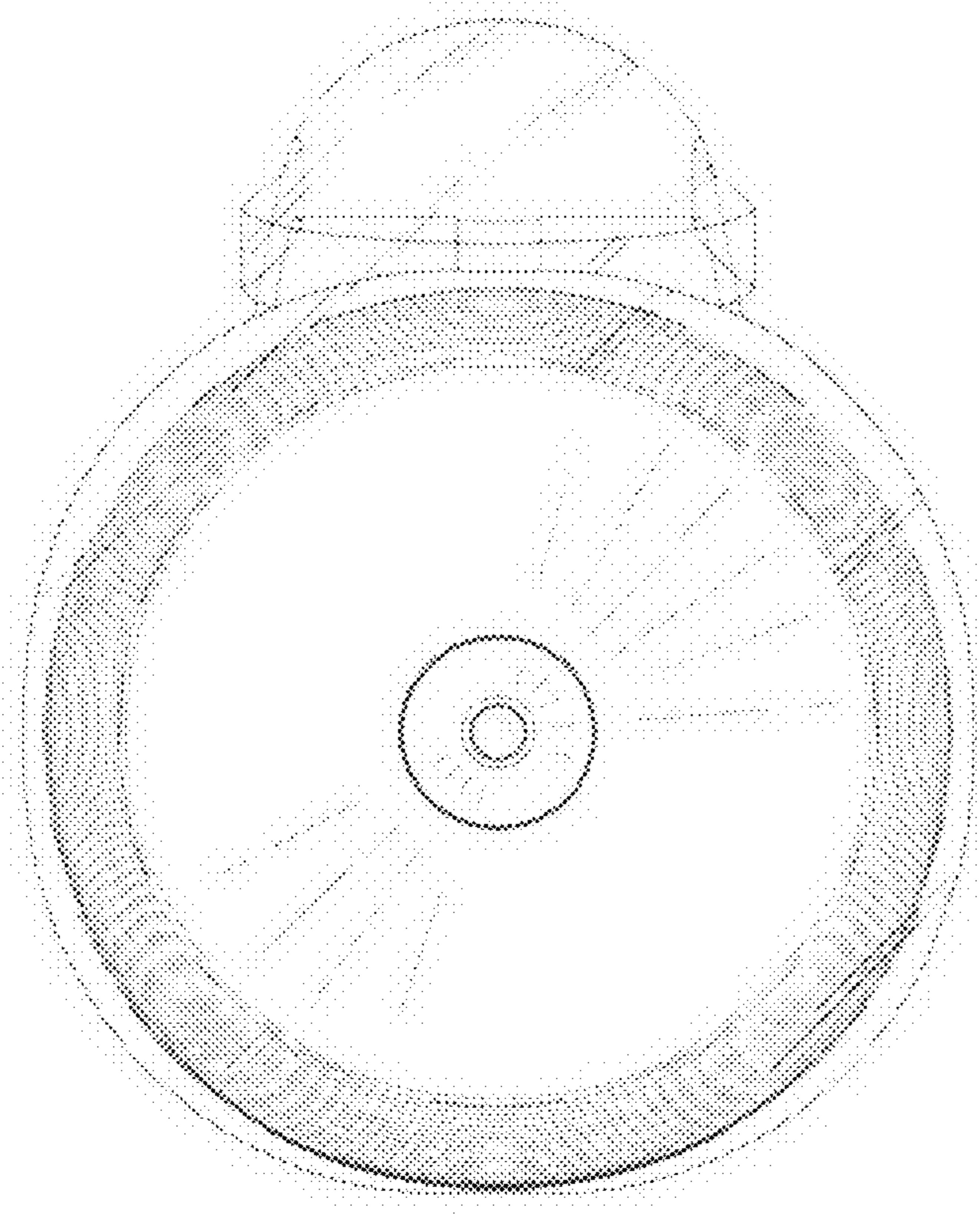


FIG. 6

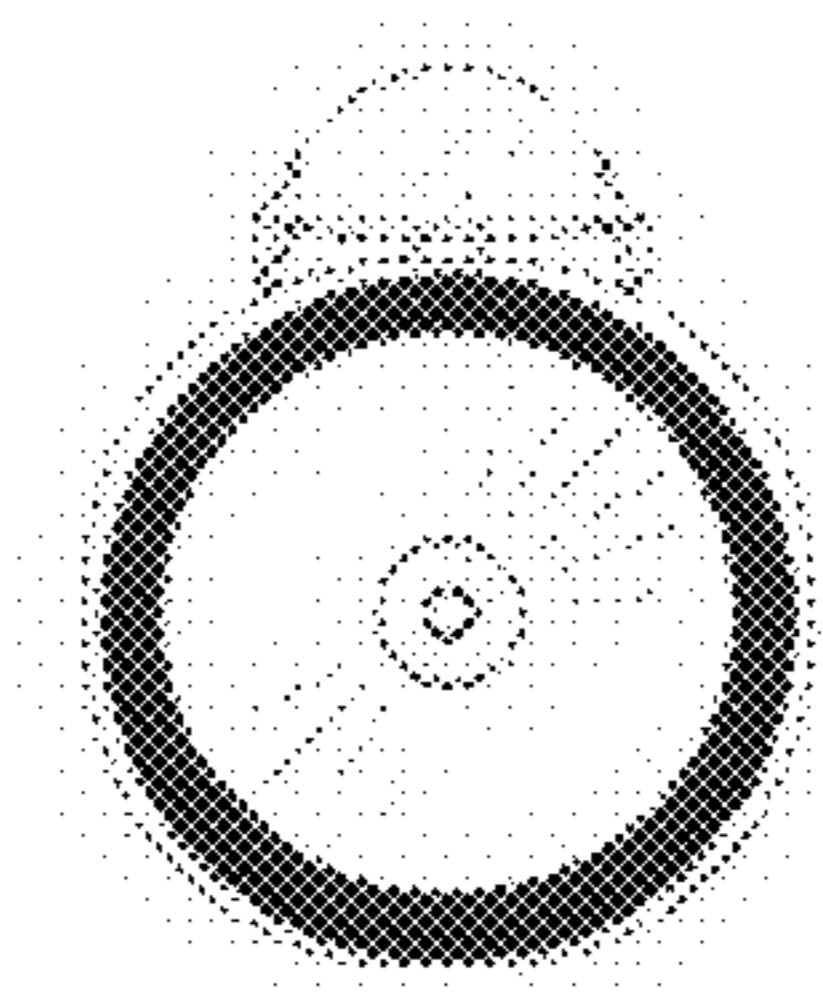


FIG. 5

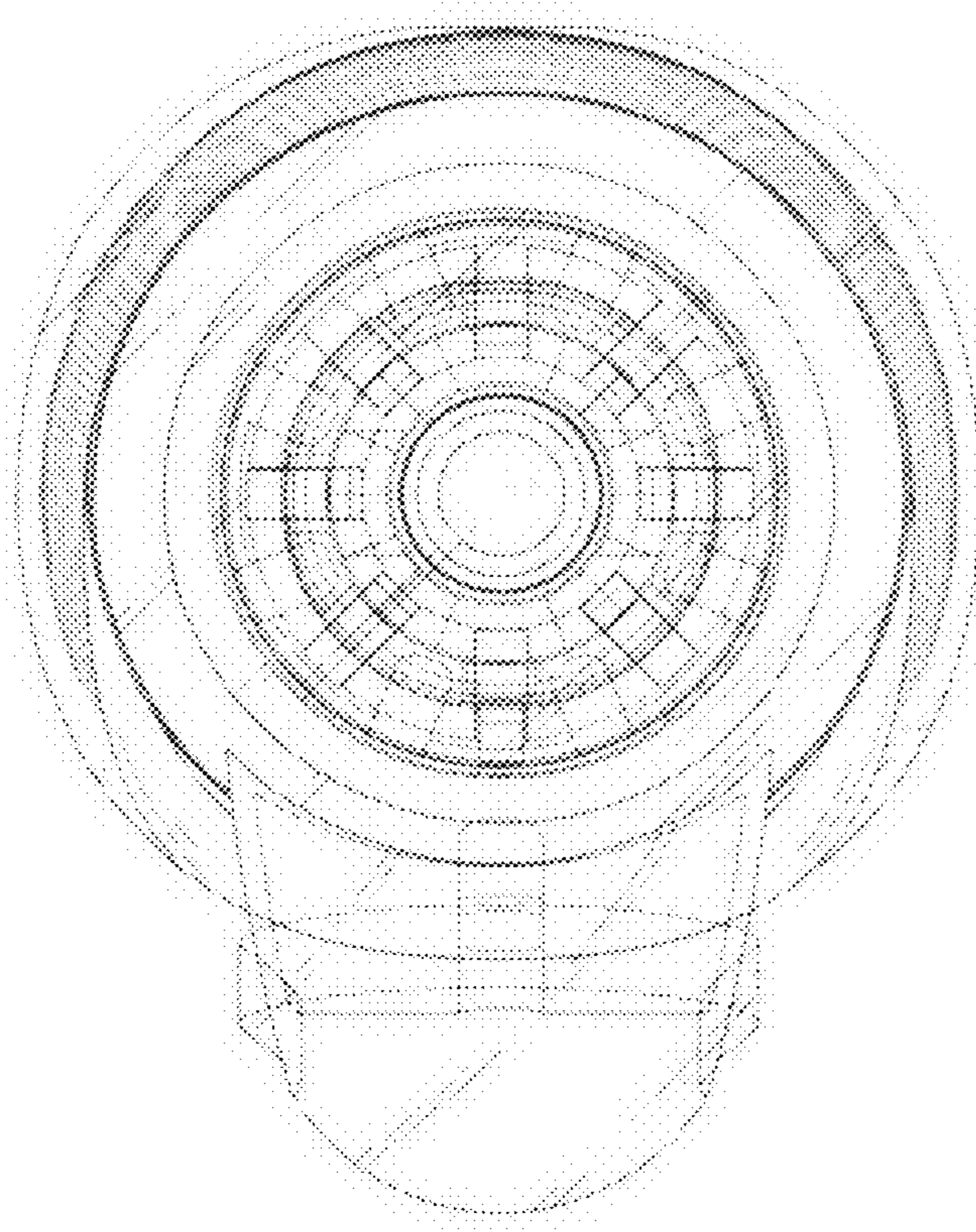


FIG. 7

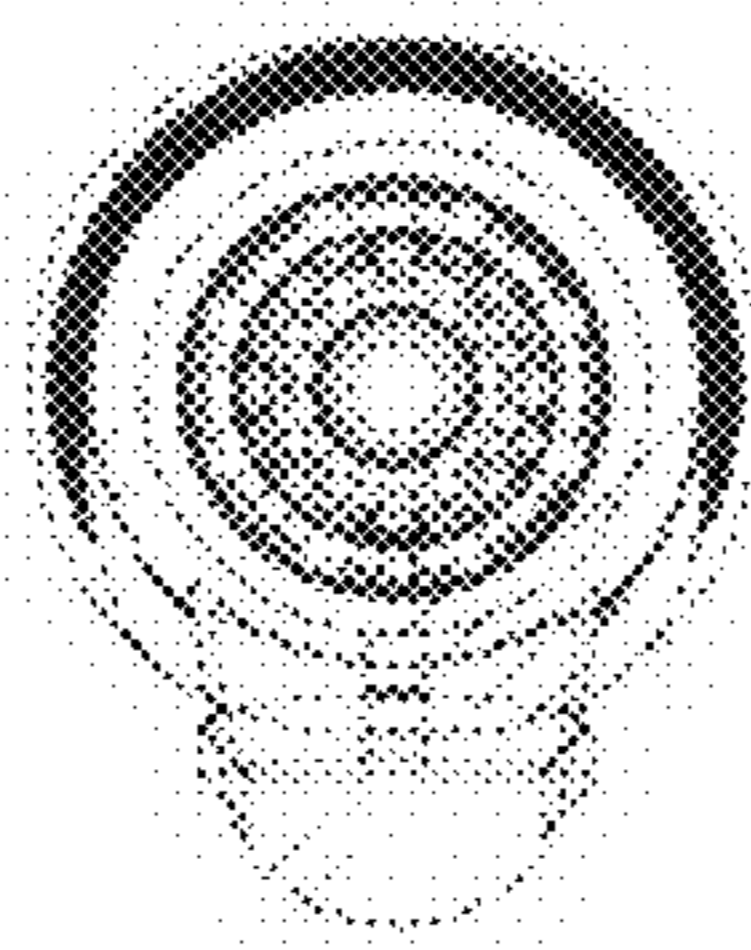


FIG. 8



FIG. 9