



US00D648785S

(12) **United States Design Patent**
Lee et al.

(10) **Patent No.:** **US D648,785 S**
(45) **Date of Patent:** **** Nov. 15, 2011**

(54) **INK CARTRIDGE**

(75) Inventors: **Francis Chee-Shuen Lee**, Kowloon (HK); **Wei-Fu Lai**, Taichung County (TW)

(73) Assignee: **Hong Kong Applied Science and Technology Research Institute Co., Ltd.**, Shatin, New Territories (HK)

(**) Term: **14 Years**

(21) Appl. No.: **29/366,209**

(22) Filed: **Jul. 21, 2010**

(51) **LOC (9) Cl.** **18-02**

(52) **U.S. Cl.** **D18/56**

(58) **Field of Classification Search** D14/471;
D18/12, 36-40, 43, 44, 46-49, 56; 222/DIG. 1;
347/197, 222; 399/24-28, 107-112, 119,
399/121, 122, 222-224
See application file for complete search history.

(56) **References Cited**

U.S. PATENT DOCUMENTS

| | | | | | |
|-----------|------|--------|-----------------|-------|---------|
| 5,314,257 | A * | 5/1994 | Cheng | | 400/199 |
| 6,347,895 | B1 * | 2/2002 | Mason et al. | | 400/208 |
| D486,853 | S * | 2/2004 | Wilken et al. | | D18/56 |
| 6,736,487 | B2 * | 5/2004 | Daniels | | 347/50 |
| D588,190 | S * | 3/2009 | Kamimura et al. | | D18/43 |

| | | | | | |
|-----------|------|---------|--------------------|-------|---------|
| D596,663 | S * | 7/2009 | Kamimura et al. | | D18/43 |
| 7,780,278 | B2 * | 8/2010 | Brown et al. | | 347/85 |
| 7,850,269 | B2 * | 12/2010 | Silverbrook | | 347/14 |
| 7,883,194 | B2 * | 2/2011 | Silverbrook | | 347/87 |
| 7,938,530 | B2 * | 5/2011 | Silverbrook et al. | | 347/108 |

* cited by examiner

Primary Examiner — Holly Baynham

Assistant Examiner — Michelle E Wilson

(74) *Attorney, Agent, or Firm* — Berkeley Law & Technology Group, LLP

(57) **CLAIM**

The ornamental design for an ink cartridge, as shown and described.

DESCRIPTION

FIG. 1 is a top view of an ink cartridge, showing our new design;

FIG. 2 is a bottom view of an ink cartridge; thereof;

FIG. 3 is a front view of an ink cartridge thereof;

FIG. 4 is a rear view of an ink cartridge thereof;

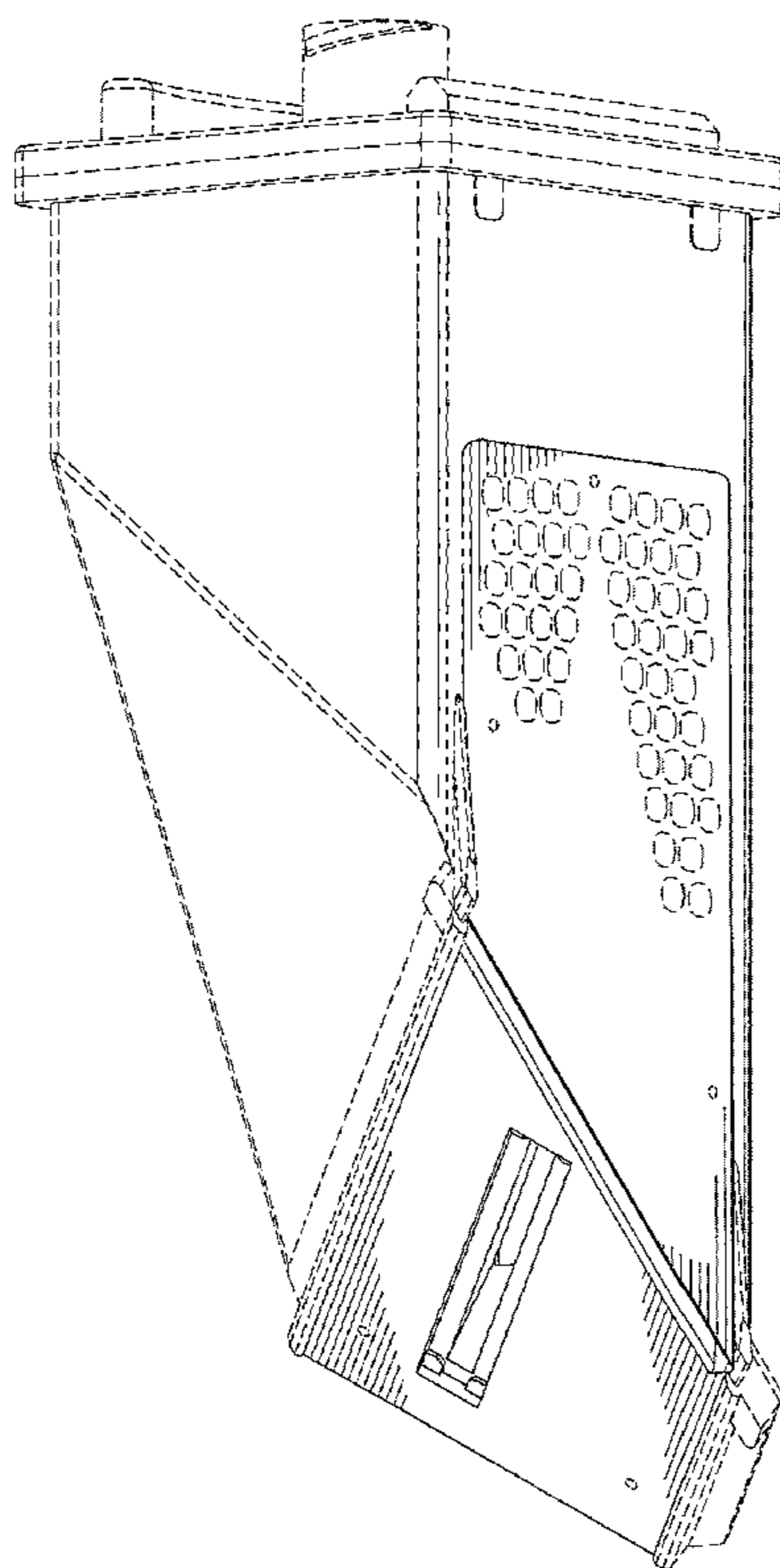
FIG. 5 is a perspective view of an ink cartridge thereof;

FIG. 6 is a left view of an ink cartridge thereof; and,

FIG. 7 is a right view of an ink cartridge thereof.

The broken line showing other elements of the ink cartridge is included for the purpose of illustrating environmental structure and forms no part of the claimed design.

1 Claim, 6 Drawing Sheets



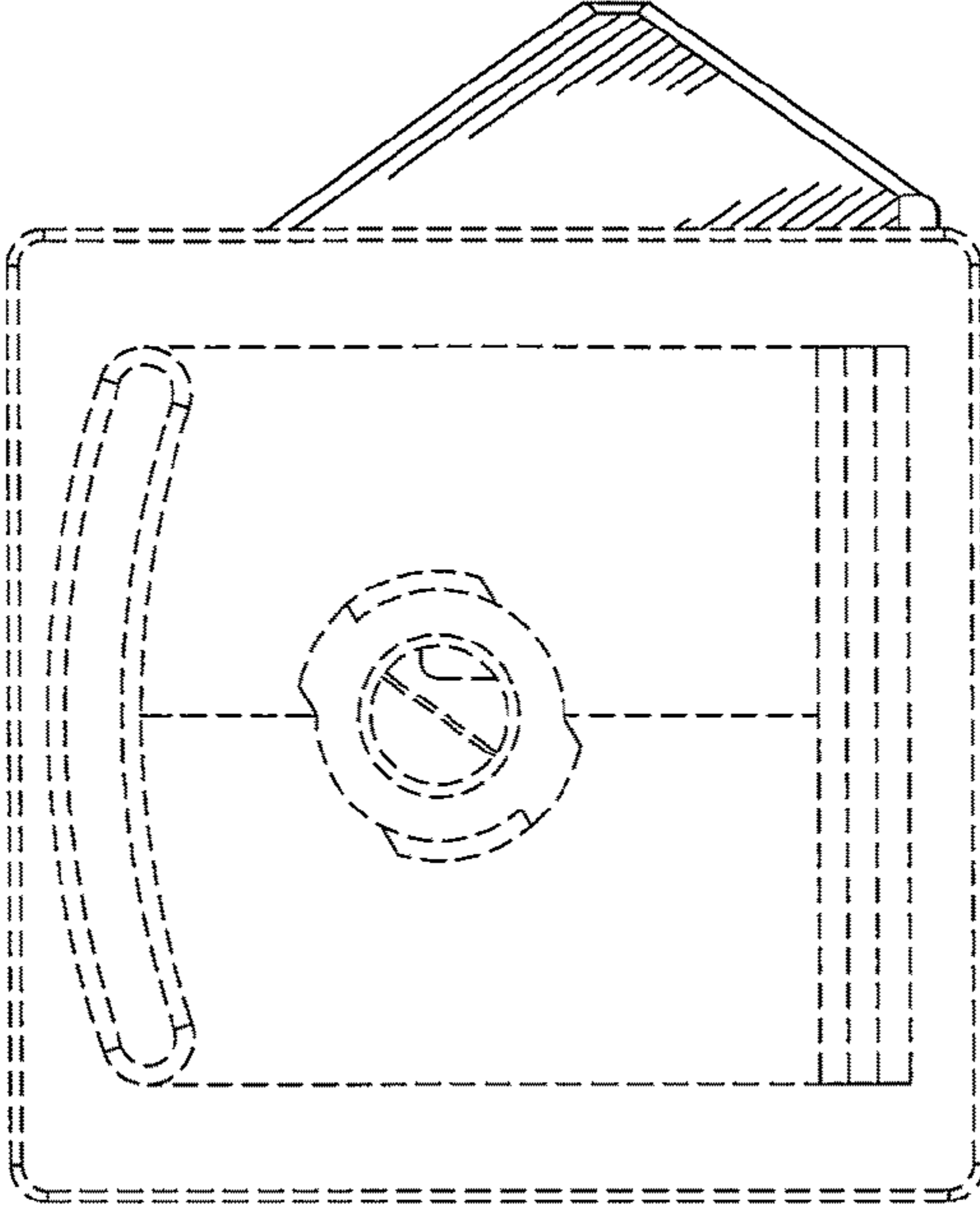


FIG. 1

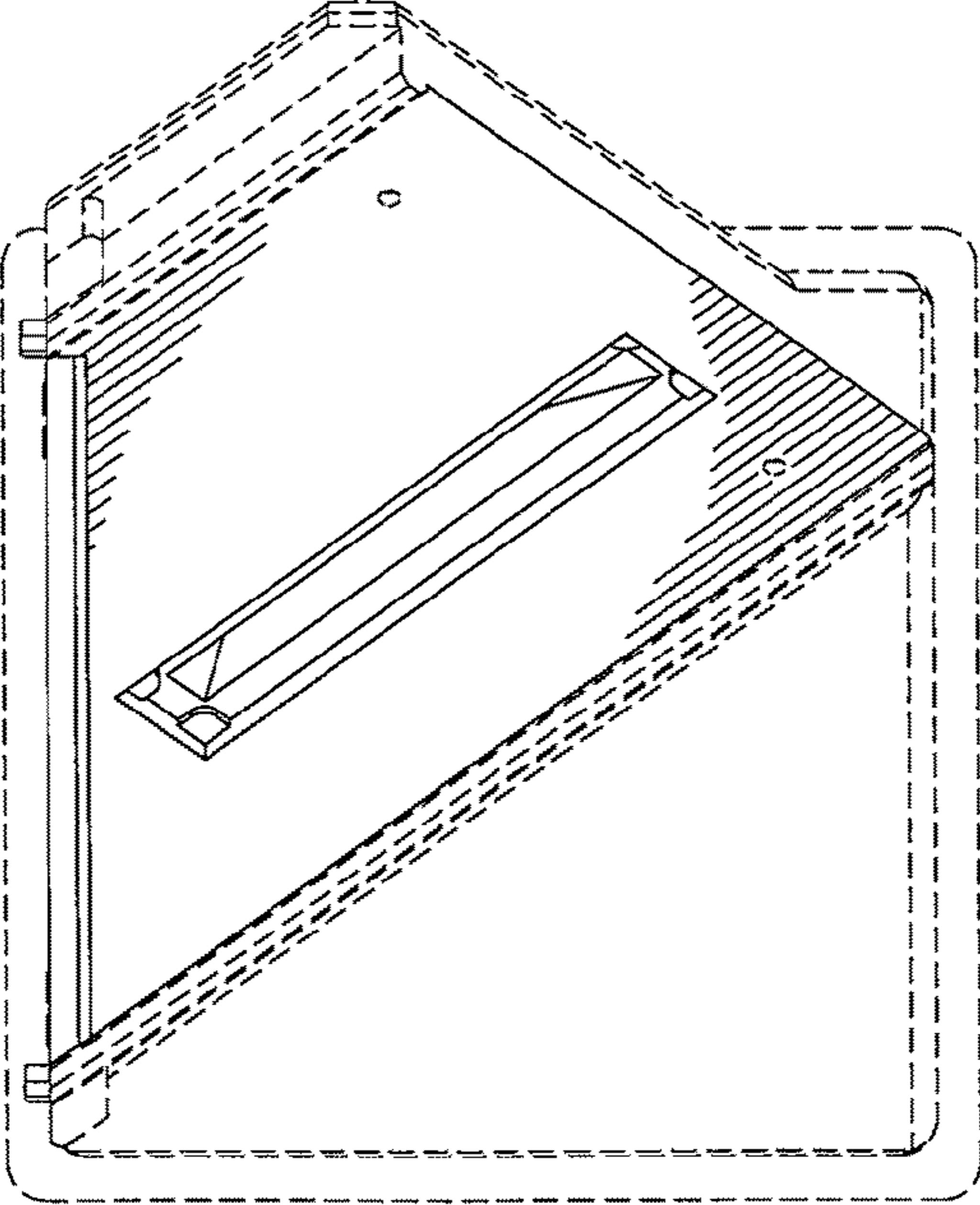


FIG. 2

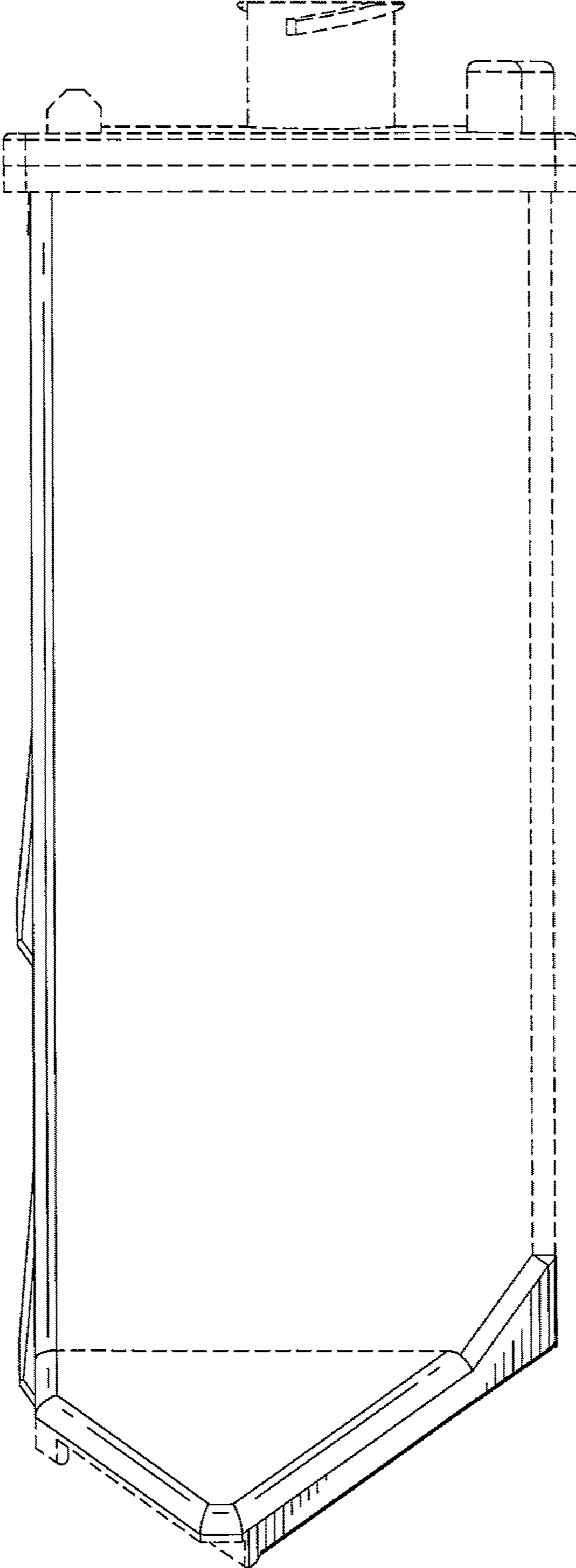


FIG. 3

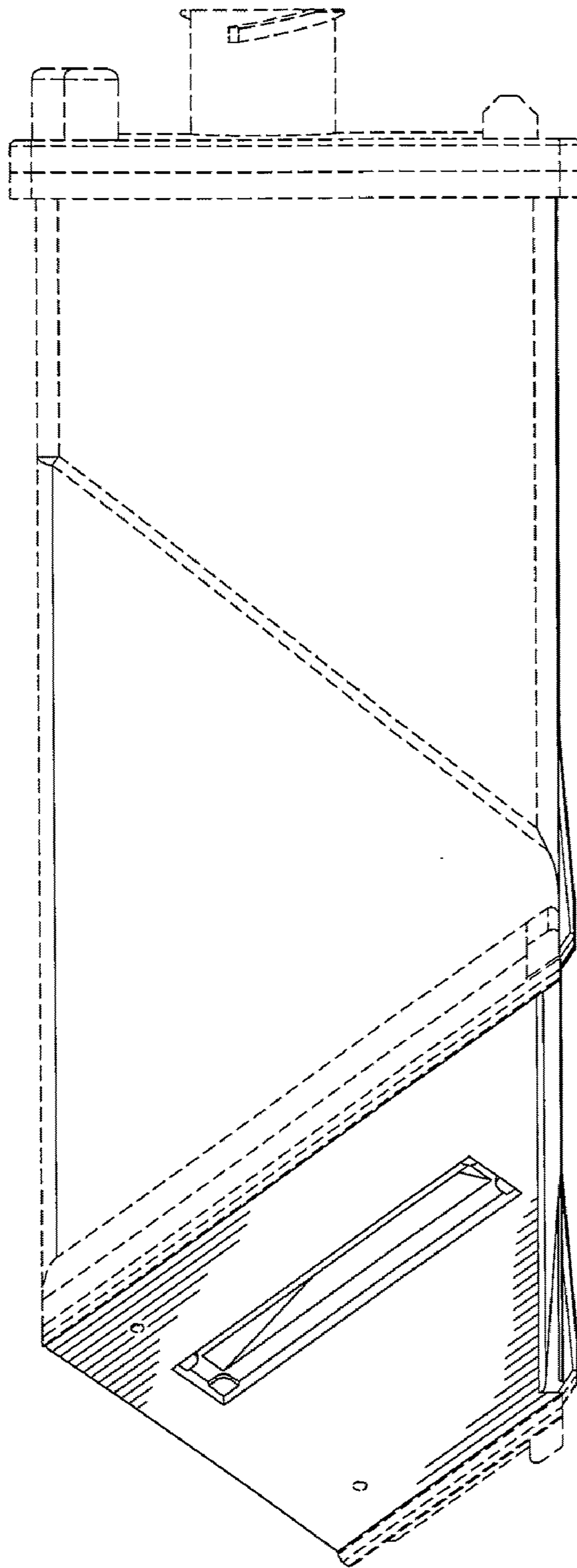


FIG. 4

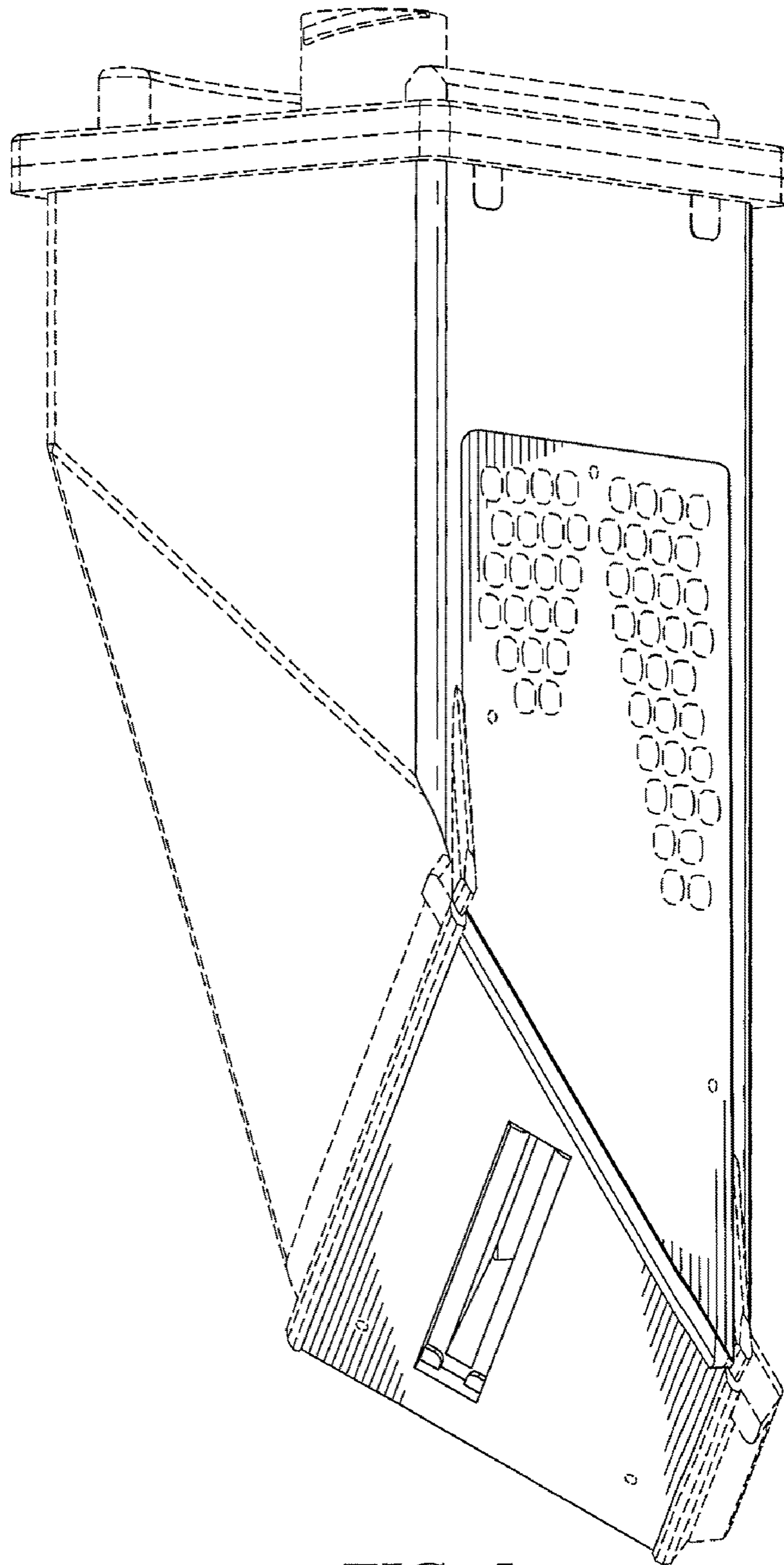


FIG. 5

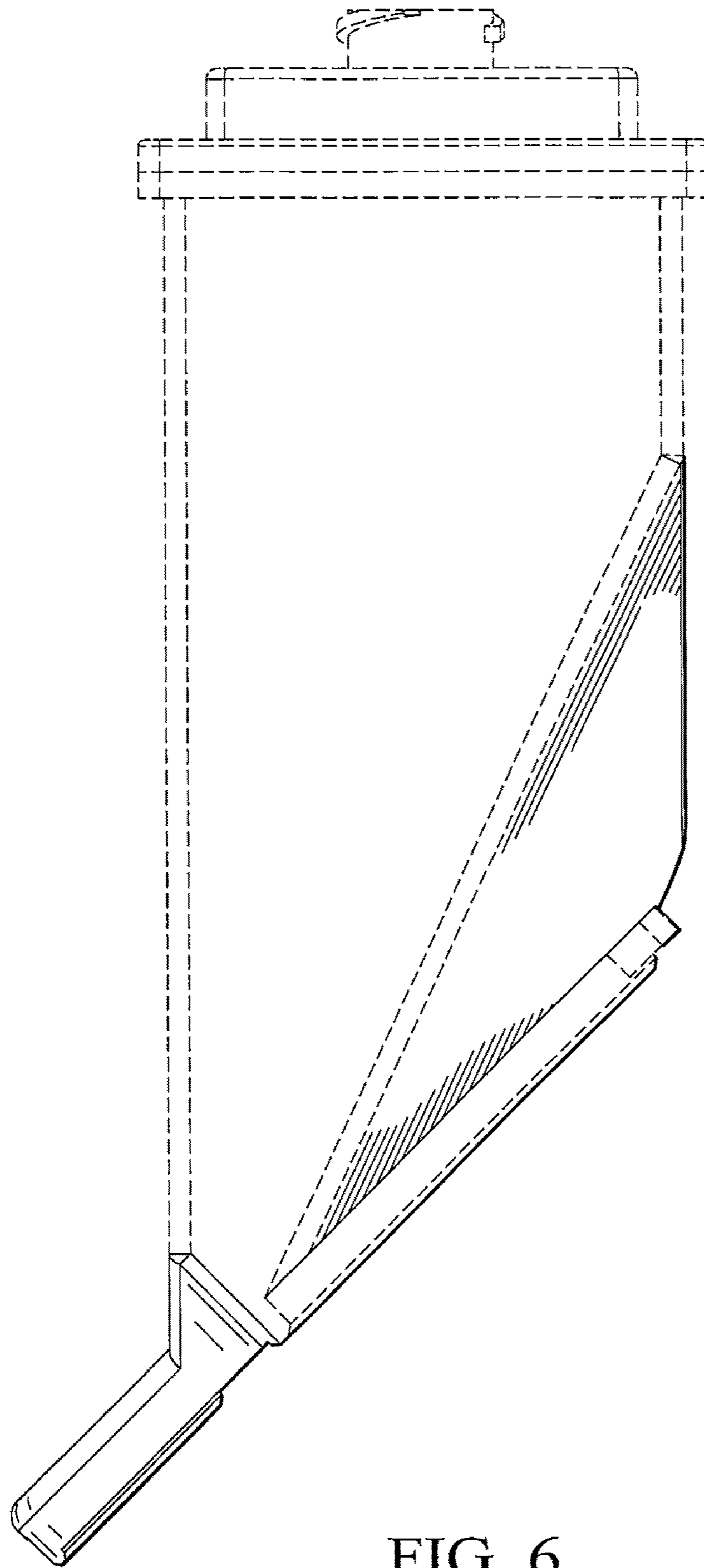


FIG. 6

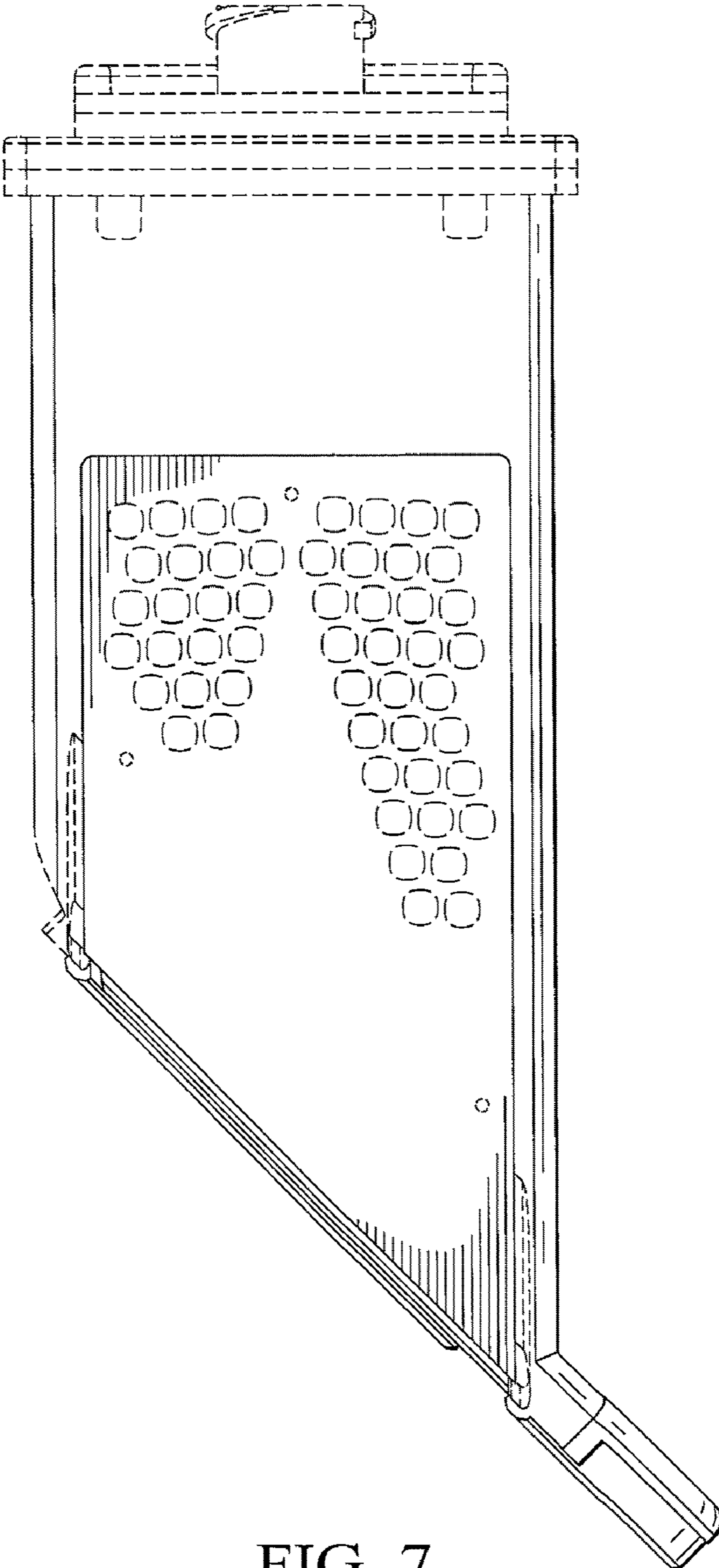


FIG. 7