



US00D648782S

(12) **United States Design Patent**  
**Dwyer et al.**

(10) **Patent No.:** **US D648,782 S**

(45) **Date of Patent:** **\*\* Nov. 15, 2011**

(54) **PRINTER**

(75) Inventors: **Dan R. Dwyer**, Battle Ground, WA (US); **Hui-Chi Chuang**, San Diego, CA (US); **Mylene A. Tjin Wong Joe**, San Diego, CA (US); **Maria Del Carmen Tate**, Santee, CA (US)

(73) Assignee: **Hewlett-Packard Development Company, L.P.**, Houston, TX (US)

(\*\*) Term: **14 Years**

(21) Appl. No.: **29/368,610**

(22) Filed: **Aug. 26, 2010**

(51) **LOC (9) Cl.** ..... **14-02**

(52) **U.S. Cl.** ..... **D18/50**

(58) **Field of Classification Search** ..... D18/19, D18/34.1, 36-37, 50, 54, 54.1, 55; D14/420-425, D14/434, 463-470; 400/613.1-613.4, 690, 400/690.1-690.4, 691-694  
See application file for complete search history.

(56) **References Cited**

**U.S. PATENT DOCUMENTS**

D364,639 S *	11/1995	Tashiro	.....	D18/50
D444,813 S	7/2001	Quijano		
D445,823 S *	7/2001	Kawahara et al.	.....	D18/50
D448,043 S *	9/2001	Kawahara et al.	.....	D18/50
D462,087 S *	8/2002	Dwyer et al.	.....	D18/55
D468,765 S *	1/2003	Kobayashi et al.	.....	D18/55

D499,444 S *	12/2004	Hwang	.....	D18/50
D522,044 S	5/2006	Emmenegger et al.		
D525,626 S *	7/2006	Fukunaga et al.	.....	D14/462
D537,113 S	2/2007	Gant et al.		
D544,907 S *	6/2007	Tjin Wong Joe et al.	.....	D18/55
D553,184 S *	10/2007	Lee et al.	.....	D18/50
D590,013 S	4/2009	Miticocchio et al.		

\* cited by examiner

*Primary Examiner* — Cathy A MacCormac

(57) **CLAIM**

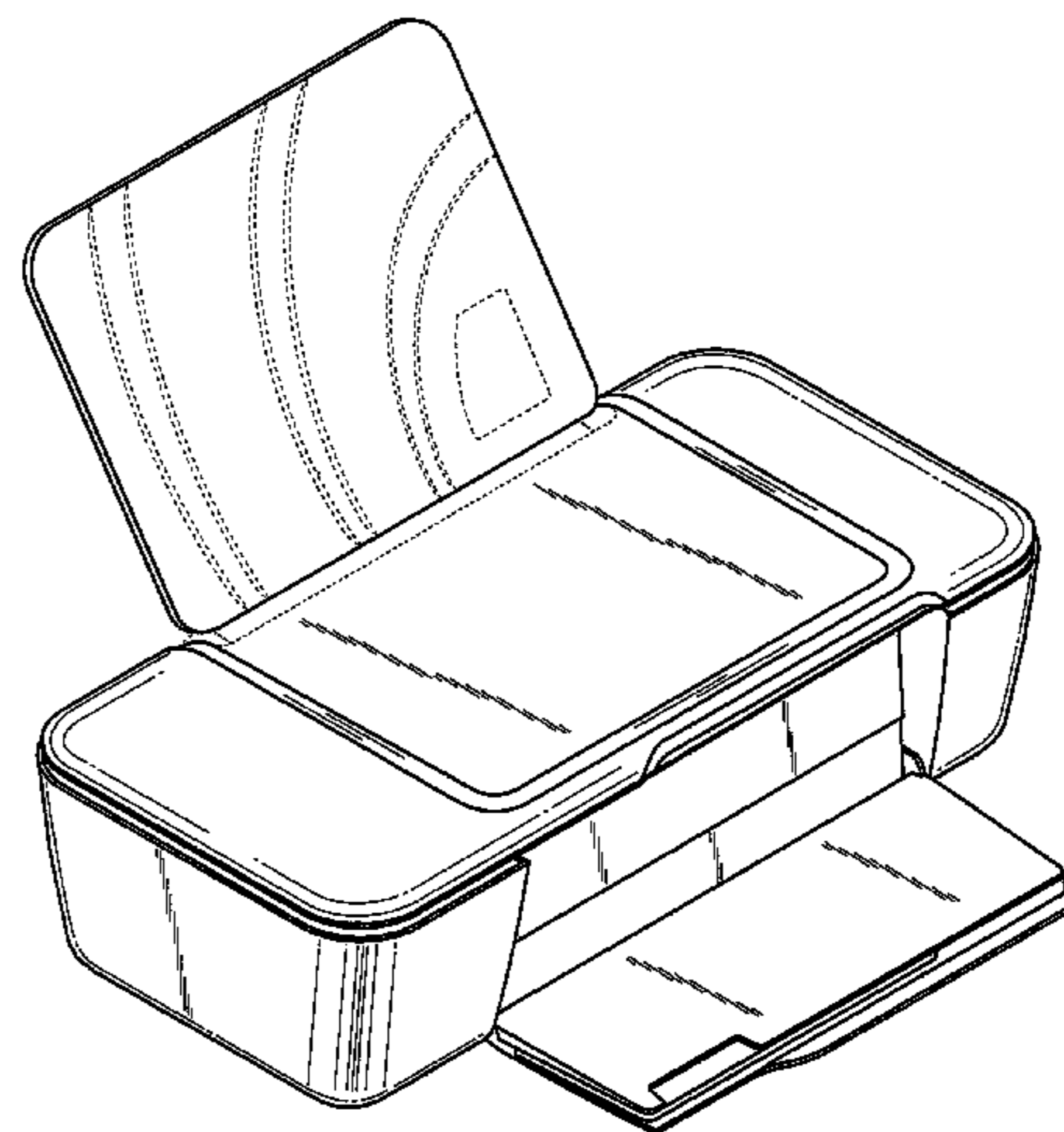
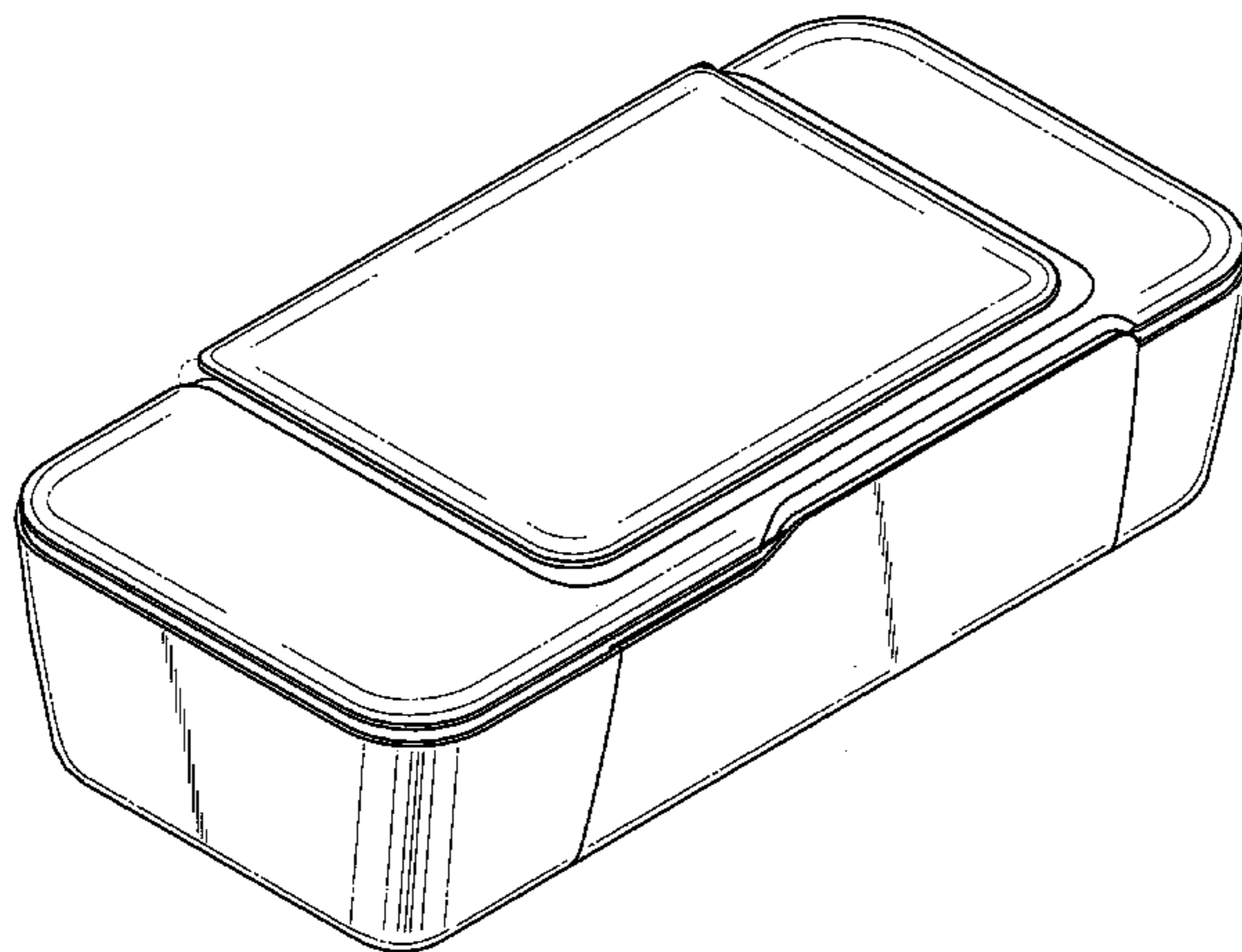
The ornamental design for a printer, as shown and described herein.

**DESCRIPTION**

FIG. 1 is a front, top, and left side perspective view of a printer;  
FIG. 2 is a top plan view thereof;  
FIG. 3 is a bottom plan view thereof;  
FIG. 4 is a front elevational view thereof;  
FIG. 5 is a rear elevational hereof;  
FIG. 6 is a left side elevational view thereof, which is a mirror image of a right side elevational view thereof; and,  
FIG. 7 is a front, top, and left side perspective view of a printer.

Those portions of the Figures shown in broken lines are included for illustrative purposes only and form no part of the claimed design.

**1 Claim, 7 Drawing Sheets**



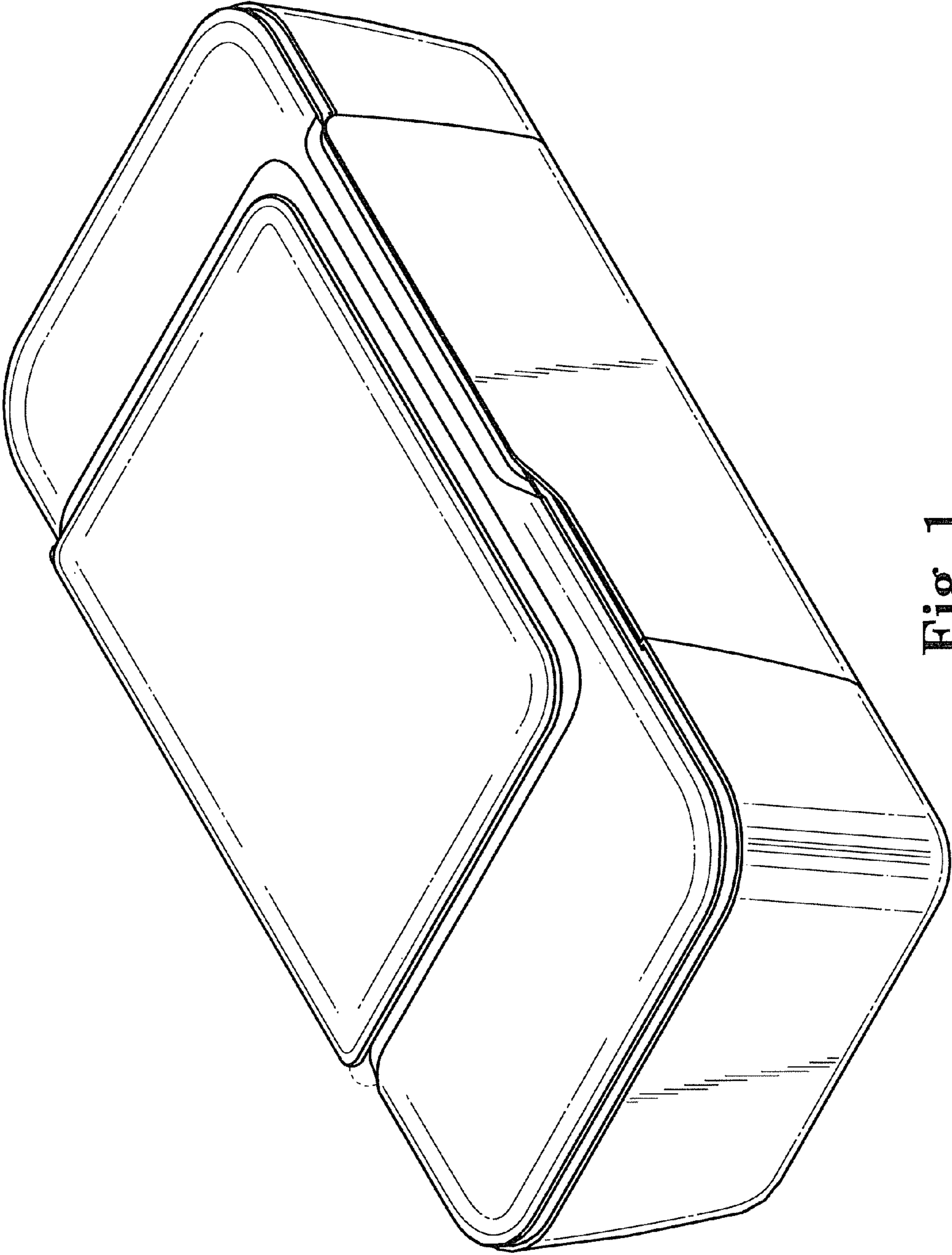


Fig. 1

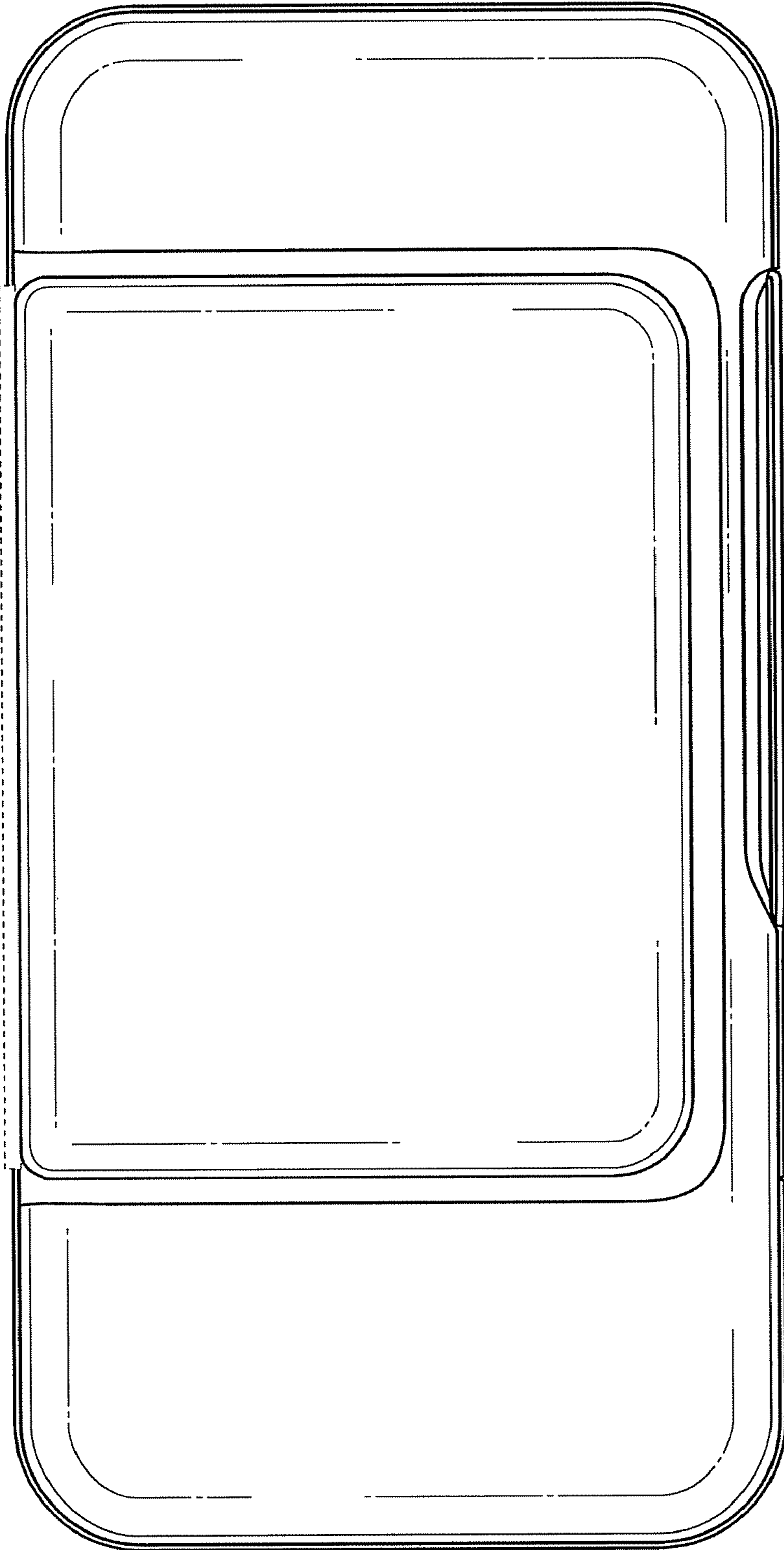


Fig. 2

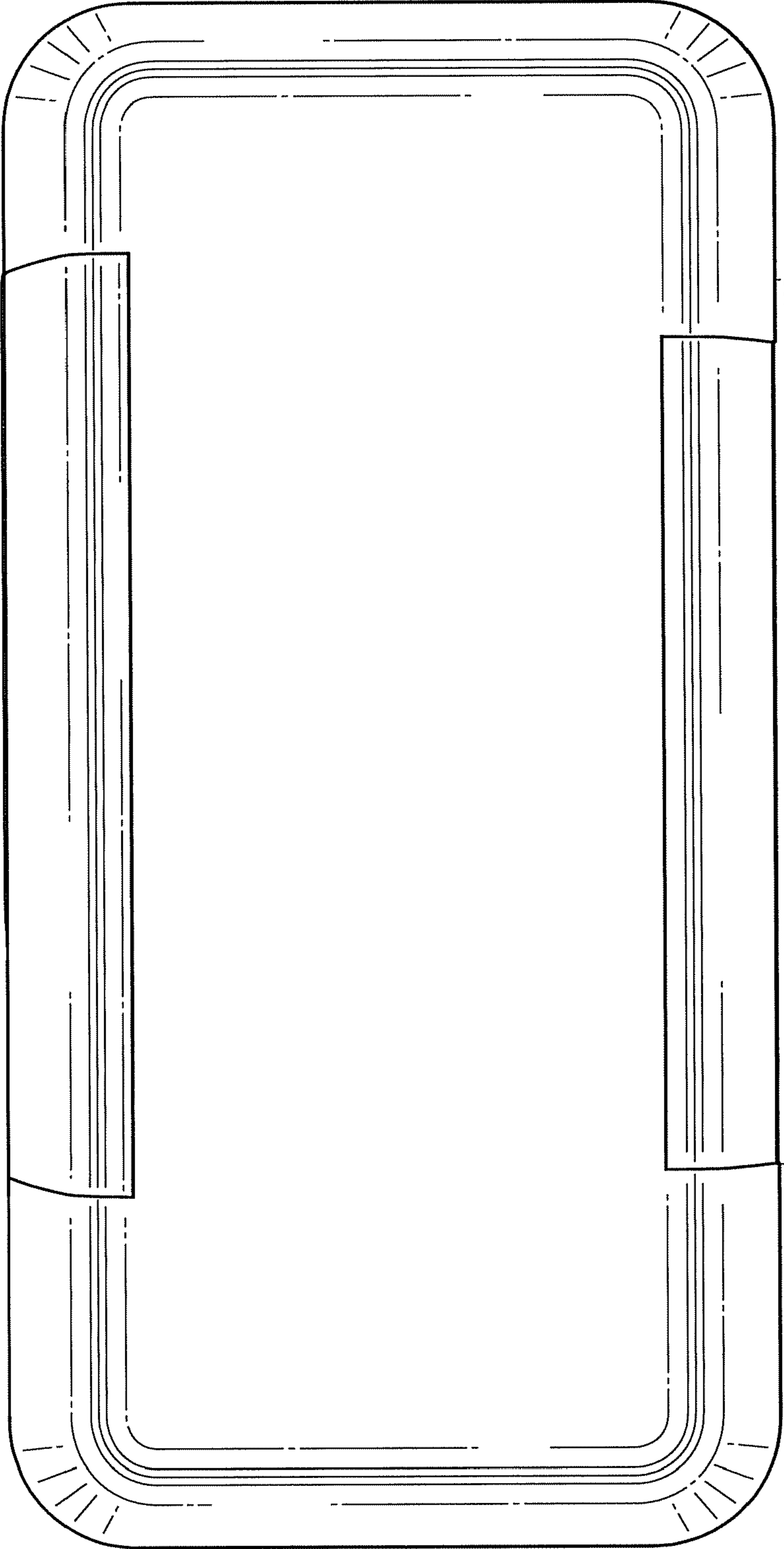


Fig. 3

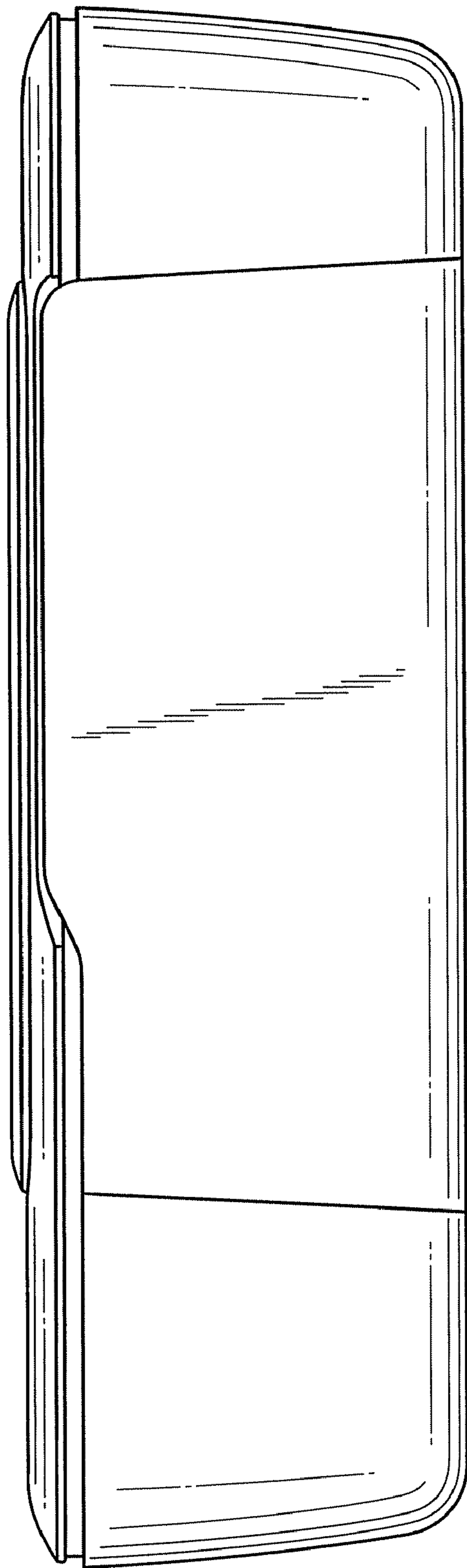


Fig. 4

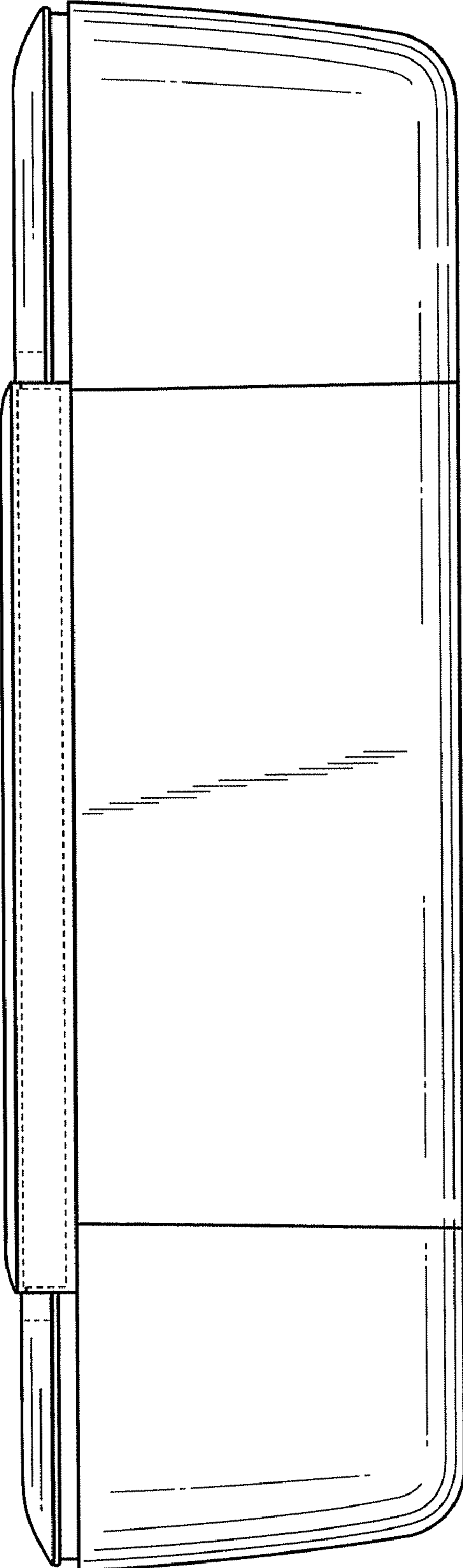


Fig. 5

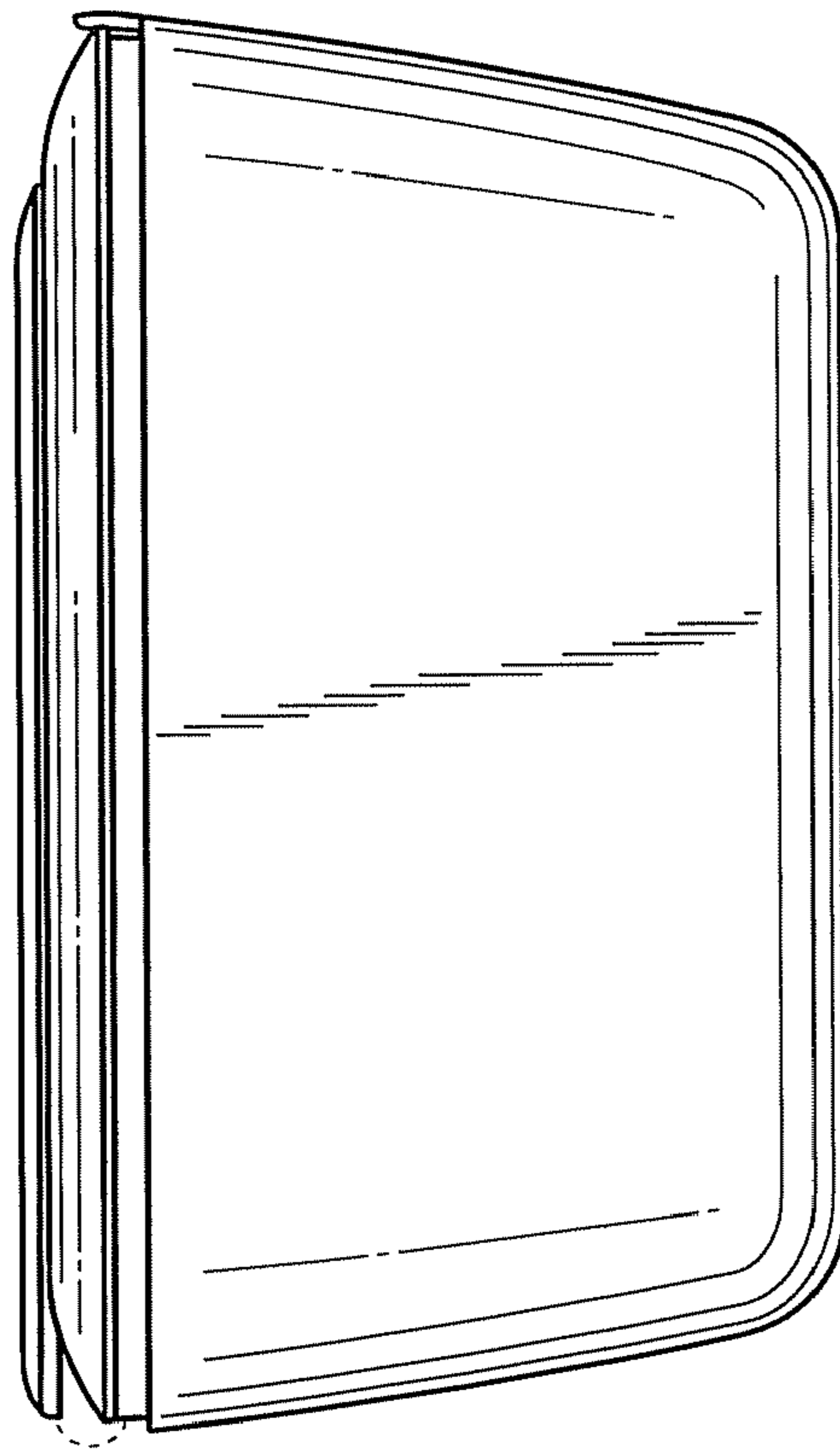


Fig. 6

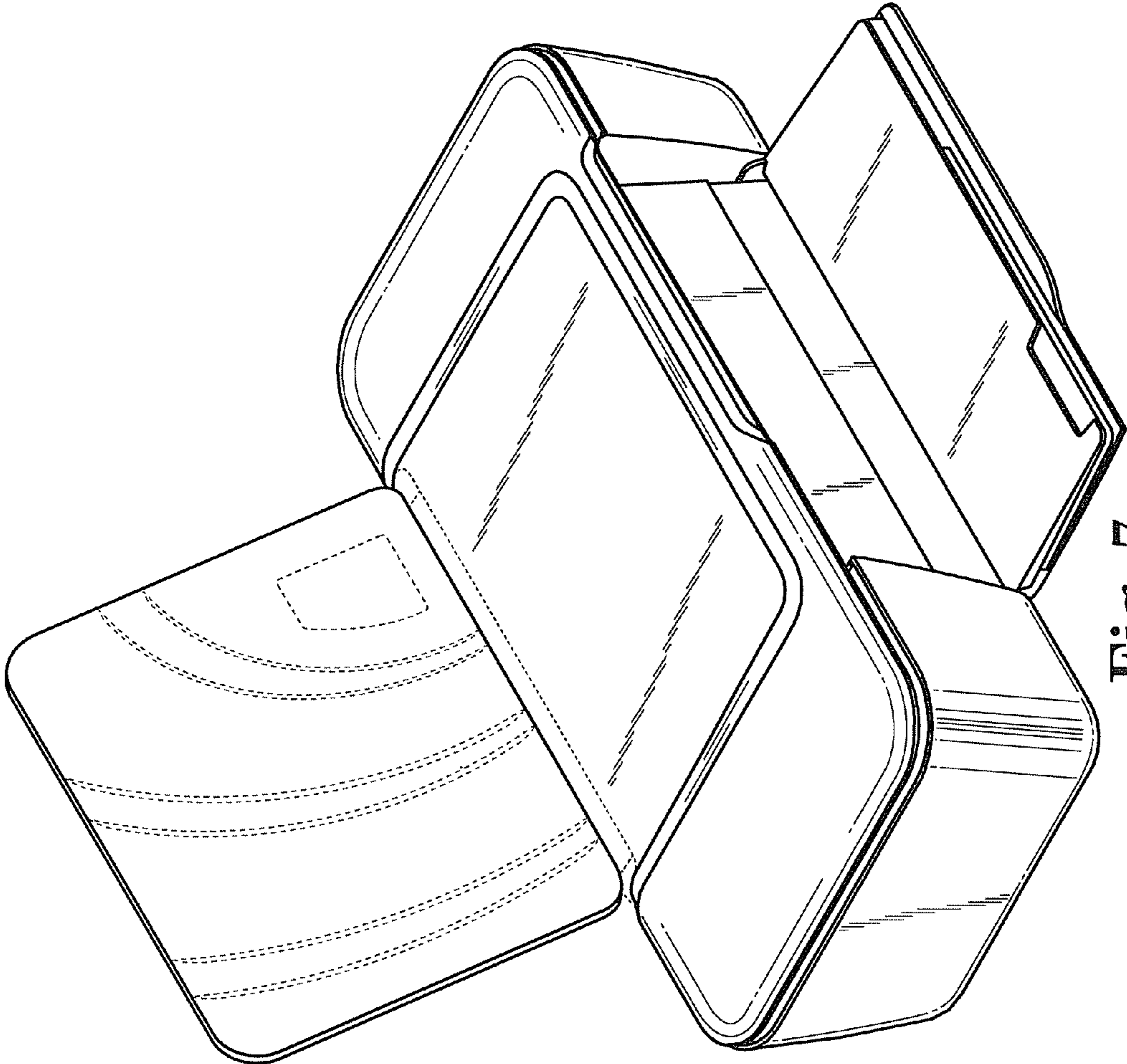


Fig. 7