

US00D648781S

(12) **United States Design Patent**
Sakai et al.

(10) **Patent No.:** **US D648,781 S**

(45) **Date of Patent:** **** Nov. 15, 2011**

(54) **TONER CARTRIDGE**

(75) Inventors: **Yoshiaki Sakai**, Kanagawa (JP);
Kazuhiro Saito, Kanagawa (JP)

(73) Assignee: **Fuji Xerox Co., Ltd.**, Tokyo (JP)

(**) Term: **14 Years**

(21) Appl. No.: **29/390,189**

(22) Filed: **Apr. 21, 2011**

(30) **Foreign Application Priority Data**

Oct. 22, 2010 (JP) D2010-025456

(51) **LOC (9) Cl.** **16-03**

(52) **U.S. Cl.** **D18/43**

(58) **Field of Classification Search** D14/471;
D18/12, 36, 40, 43, 44, 56; 222/DIG. 1;
347/197, 222; 399/24-28, 107-112, 119,
399/121, 122, 222-224

See application file for complete search history.

(56) **References Cited**

U.S. PATENT DOCUMENTS

D171,578 S * 3/1954 Brucker D18/43
D240,201 S * 6/1976 Avolio D18/43
D431,260 S * 9/2000 Kohno et al. D18/43
D432,916 S * 10/2000 Drinkwater et al. D18/43
D538,850 S * 3/2007 Choi et al. D18/56

D546,874 S * 7/2007 Hakukawa D18/43
D574,039 S * 7/2008 Saito et al. D18/43
D583,862 S * 12/2008 Park et al. D18/56
D630,244 S * 1/2011 Takiguchi et al. D18/43
D636,016 S * 4/2011 Naito et al. D18/43
2010/0316414 A1 12/2010 Saito et al.

FOREIGN PATENT DOCUMENTS

JP 2010-286655 A 12/2010

* cited by examiner

Primary Examiner — Garth Rademaker

(74) *Attorney, Agent, or Firm* — Sughrue Mion, PLLC

(57) **CLAIM**

The ornamental design for a toner cartridge, as shown and described.

DESCRIPTION

FIG. 1 is a top, front, right side perspective view of a toner cartridge showing our new design;
FIG. 2 is a bottom, rear, right side perspective view thereof;
FIG. 3 is a bottom, front, left side perspective view thereof;
FIG. 4 is a top, rear, right side perspective view thereof;
FIG. 5 is a front view thereof;
FIG. 6 is a rear view thereof;
FIG. 7 is a top plan view thereof;
FIG. 8 is a bottom view thereof;
FIG. 9 is a left side view thereof; and,
FIG. 10 is a right side view thereof.

The portions of the article in broken line are shown for illustrative purposes only and form no part of the claimed design.

1 Claim, 9 Drawing Sheets

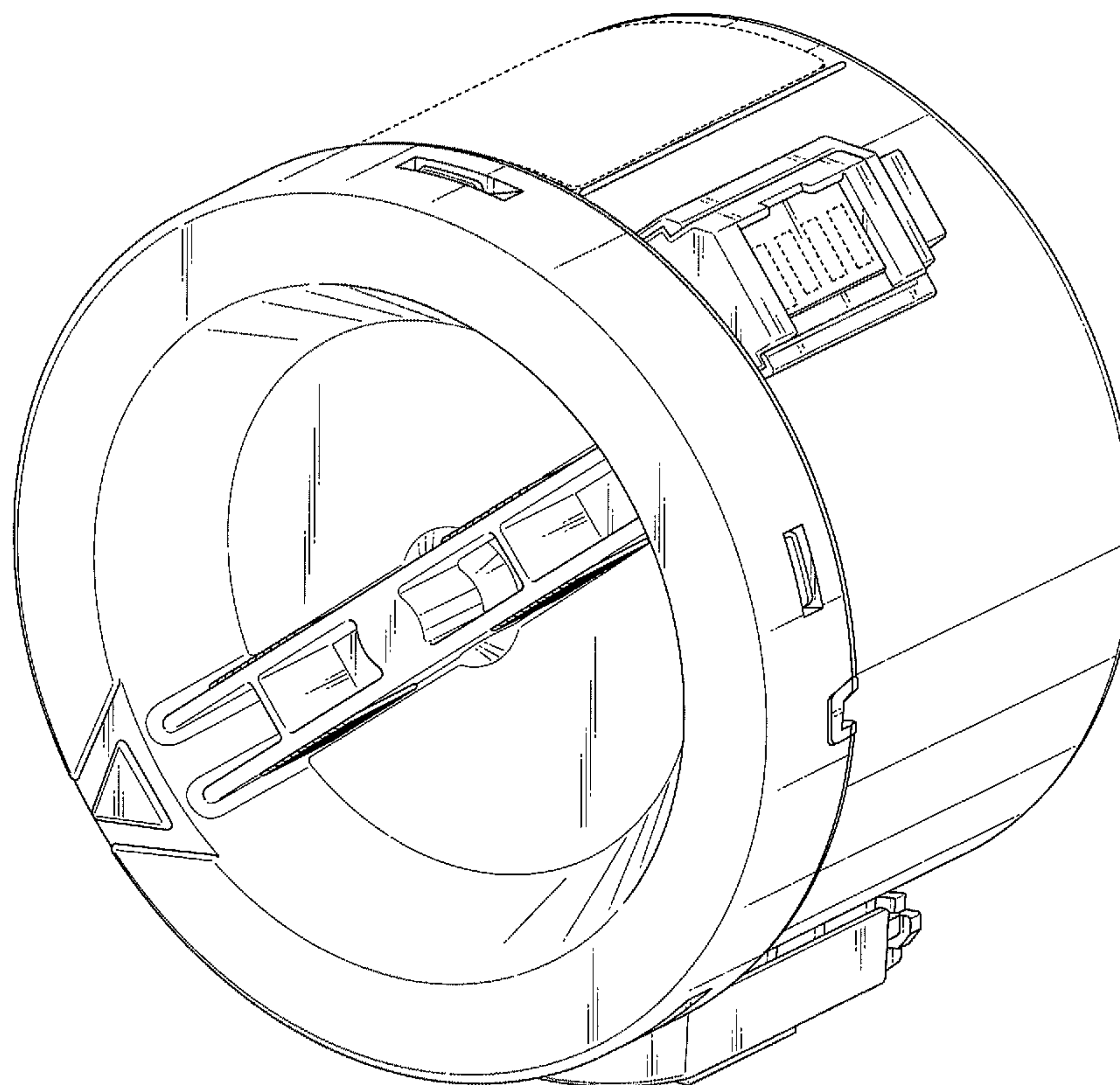


Fig. 1

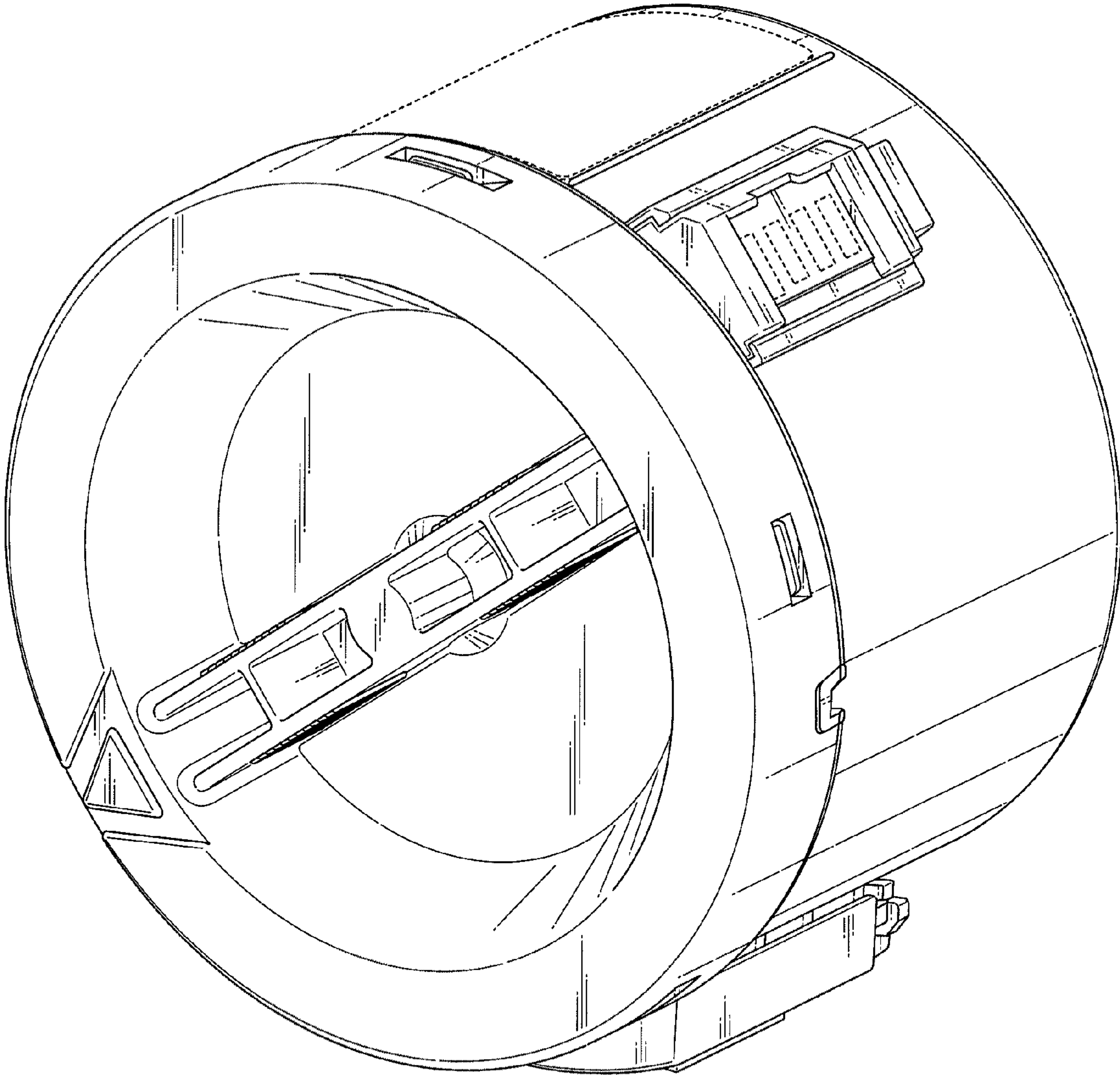


Fig. 2

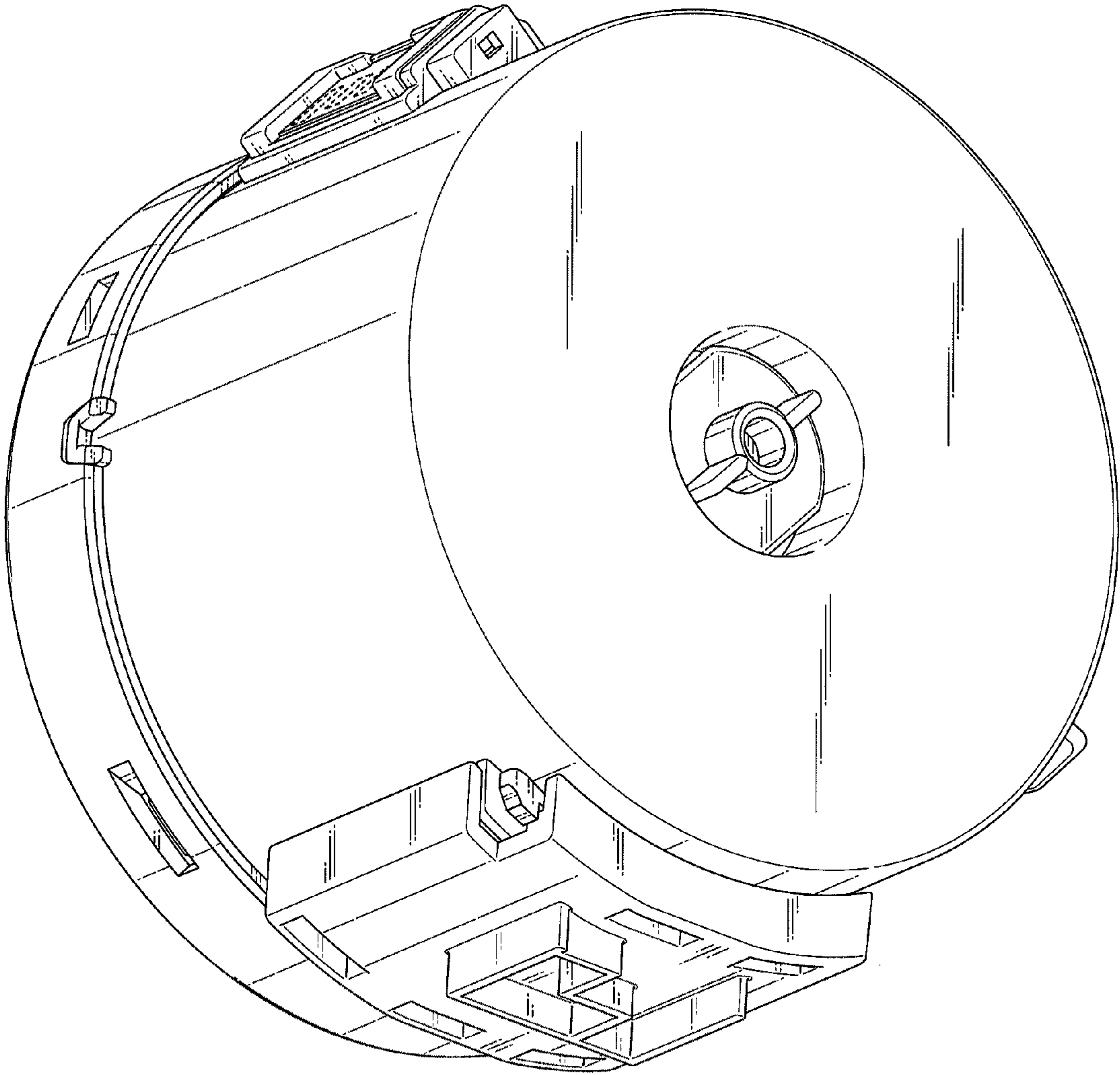


Fig. 3

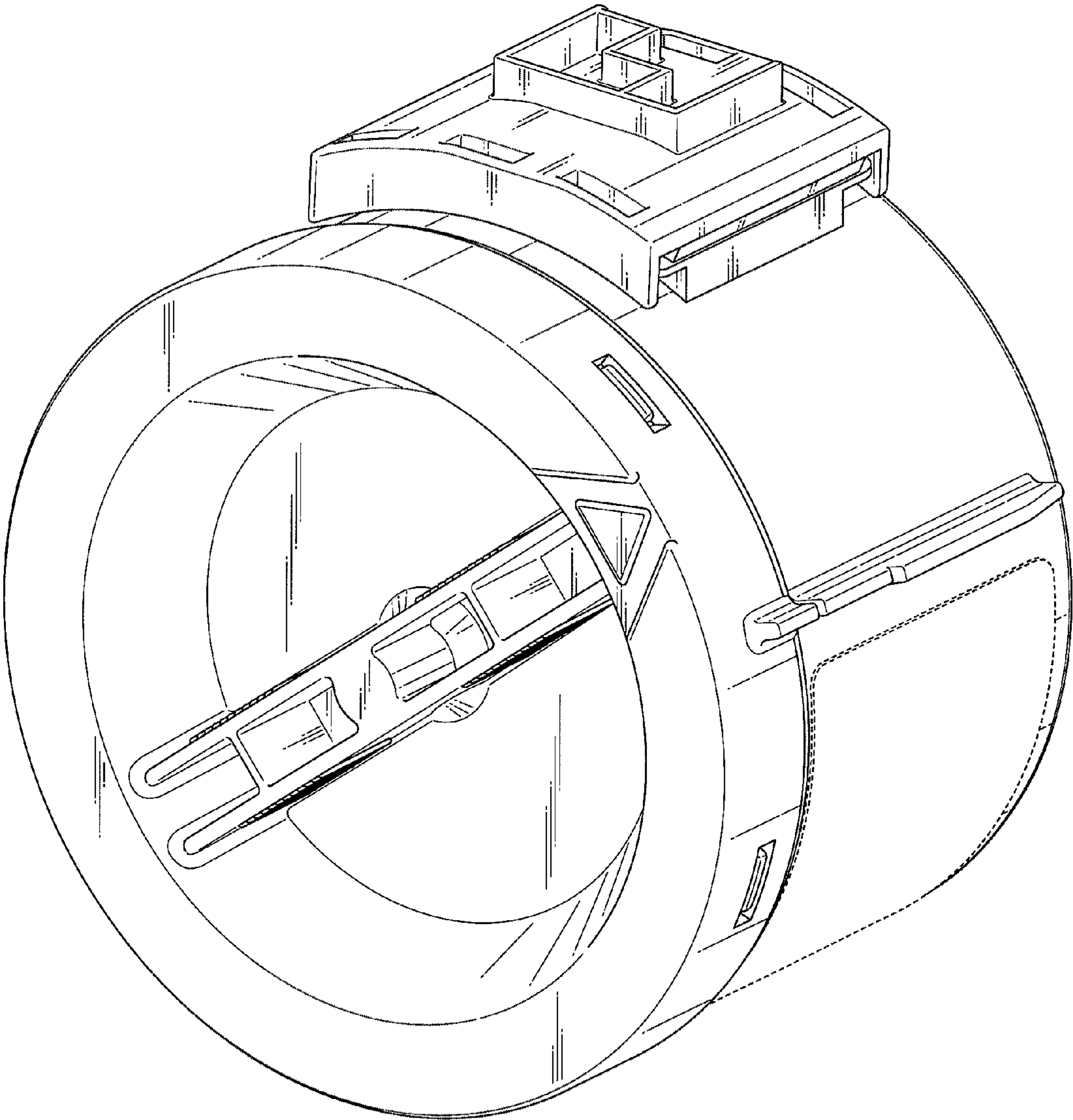


Fig. 4

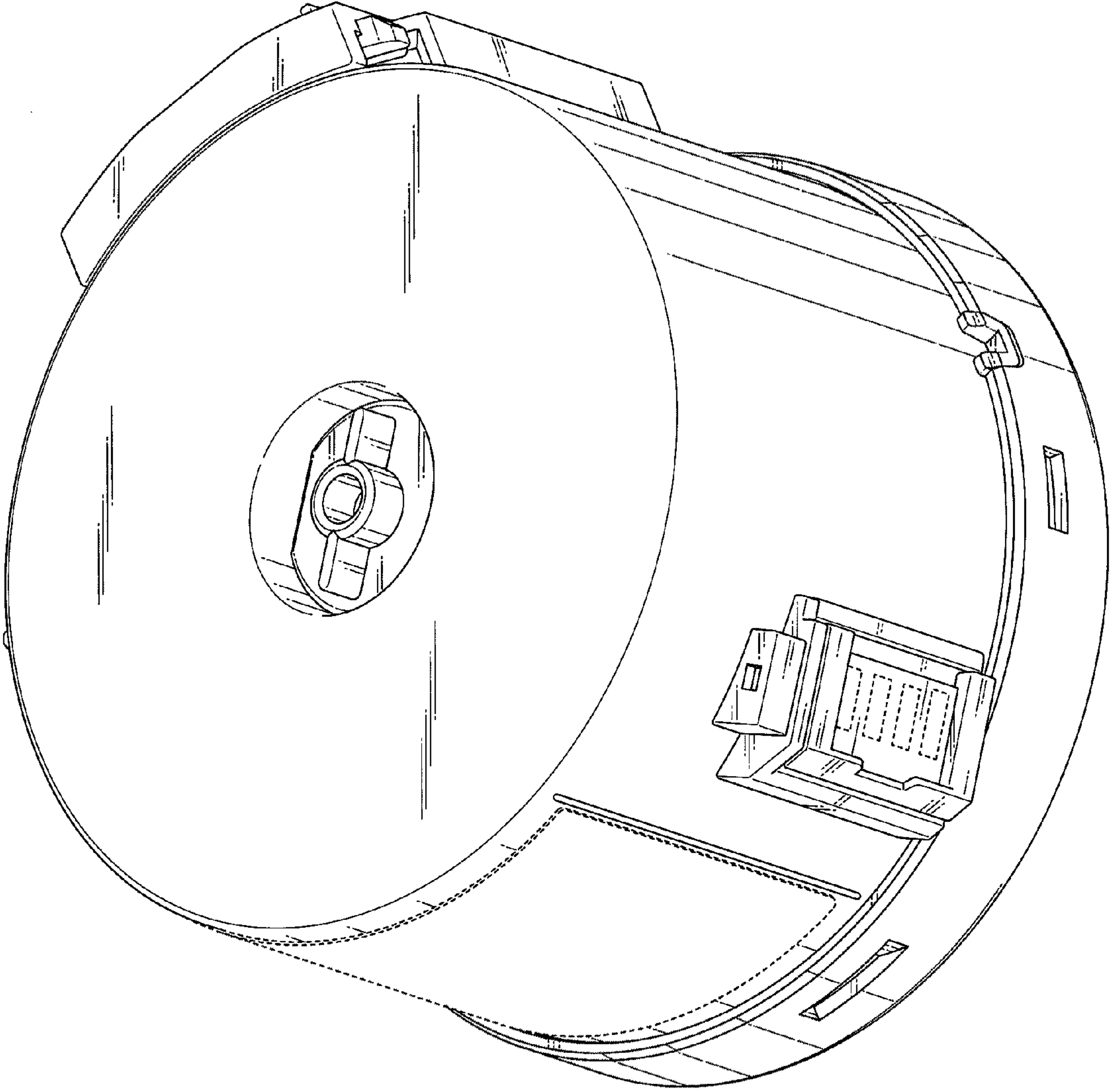


Fig. 5

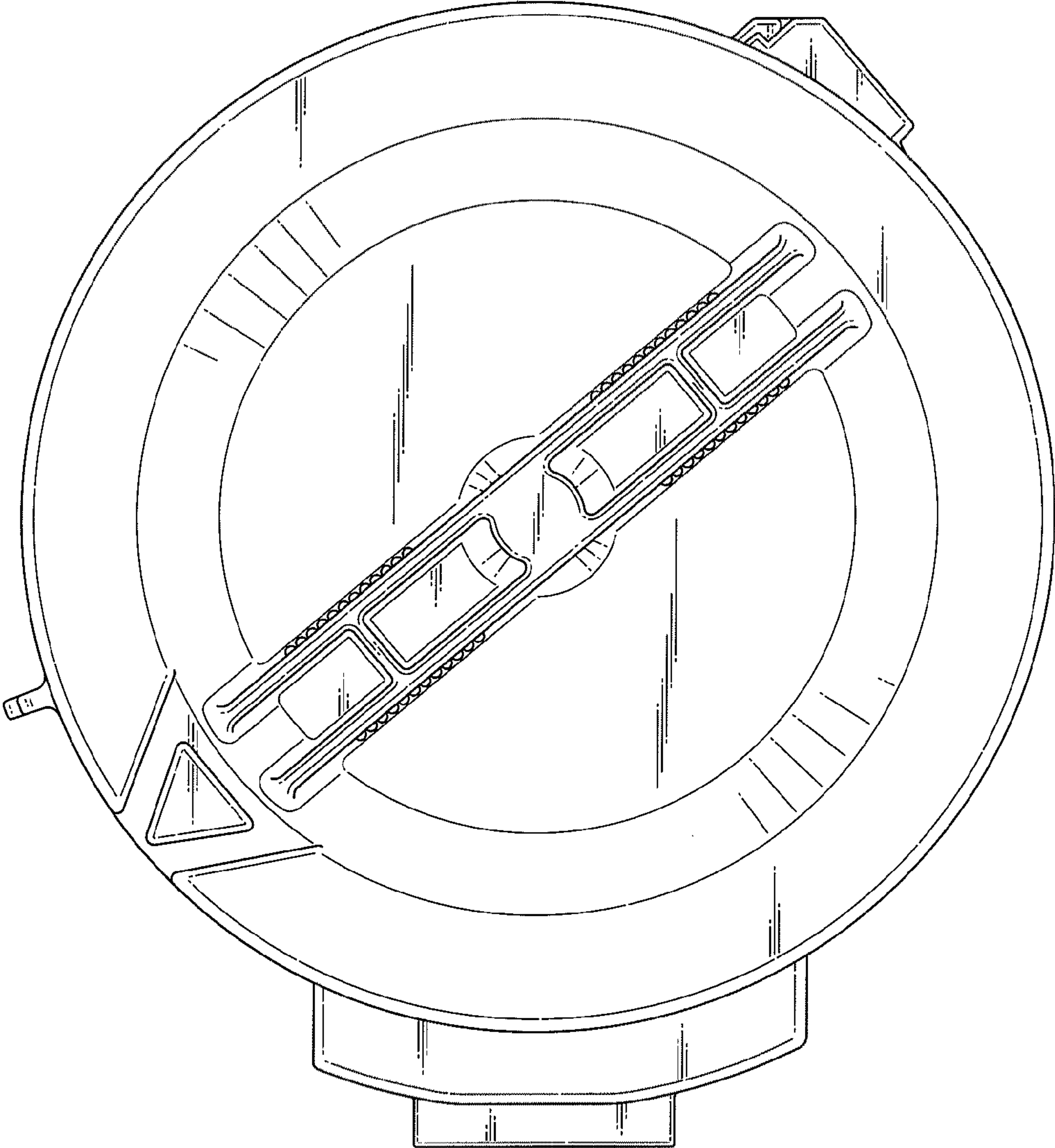


Fig. 6

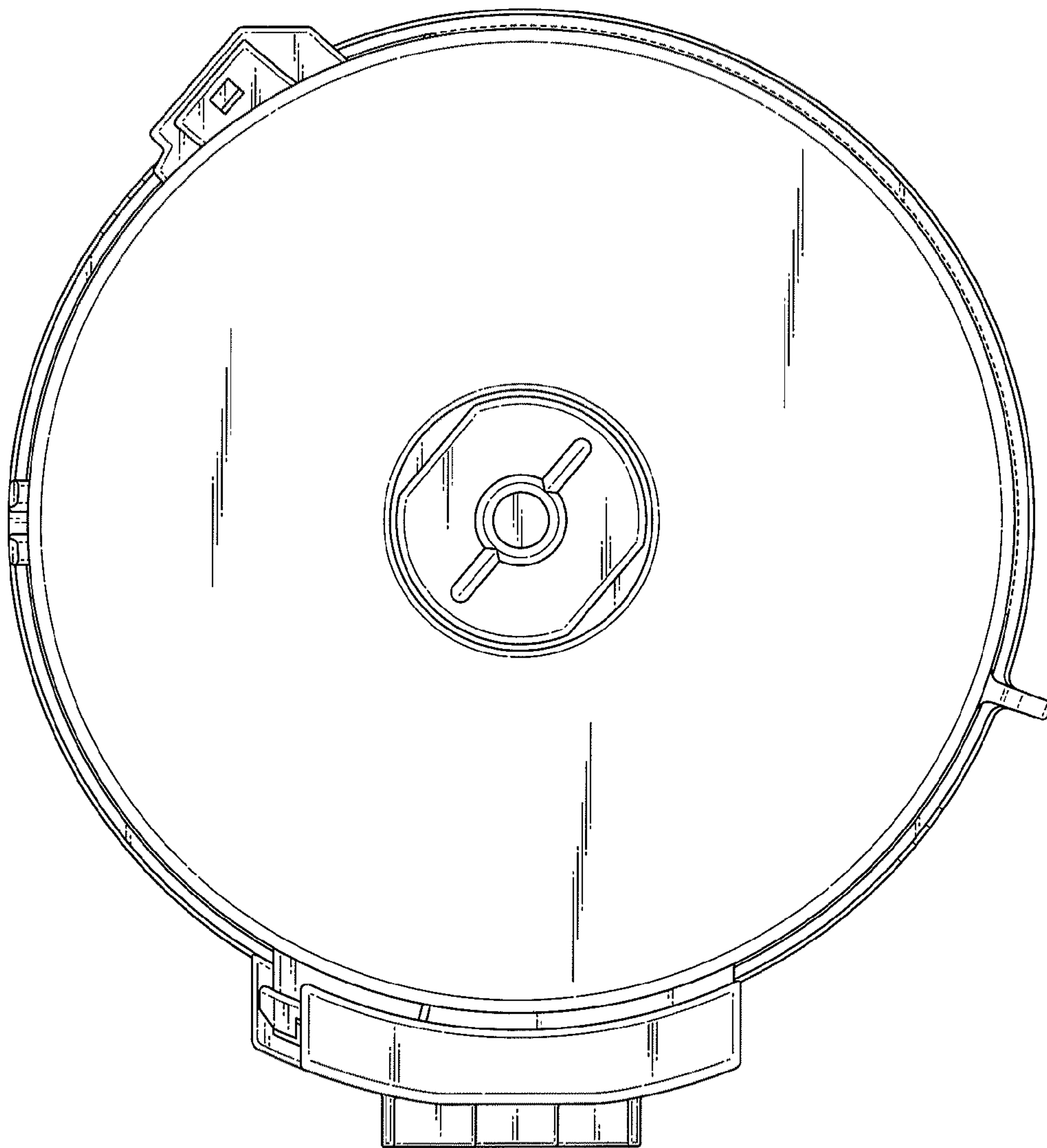


Fig. 7

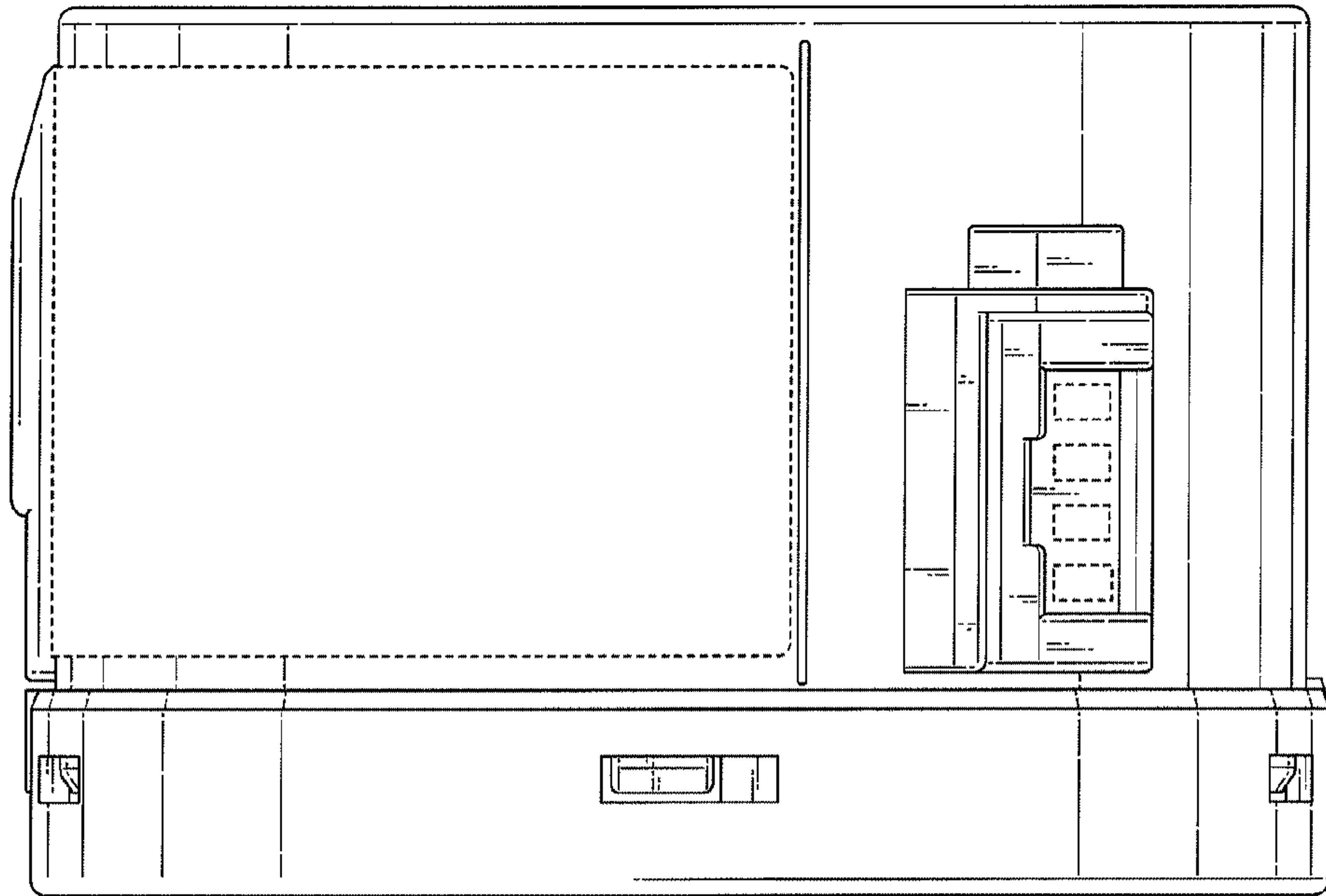


Fig. 8

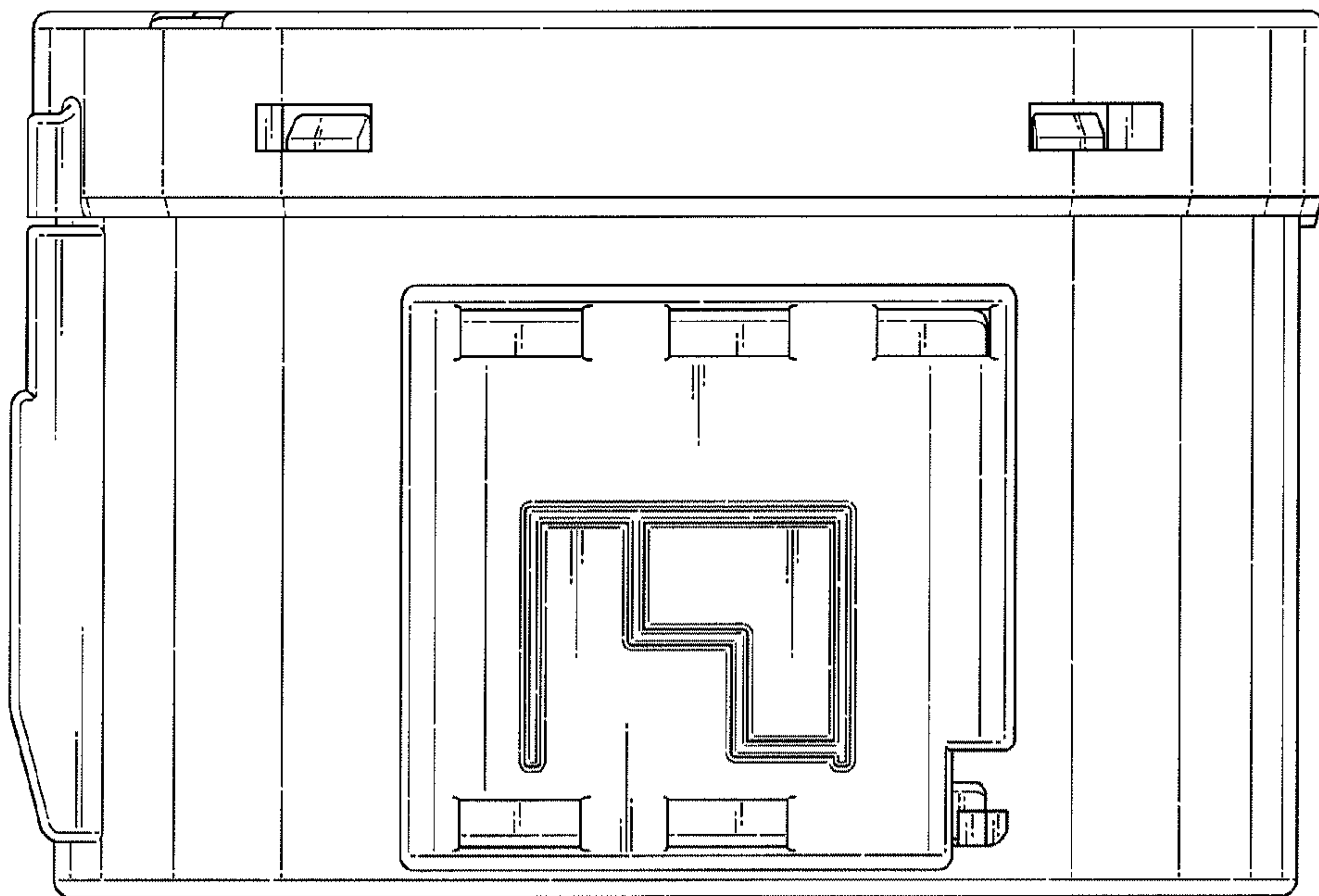


Fig. 9

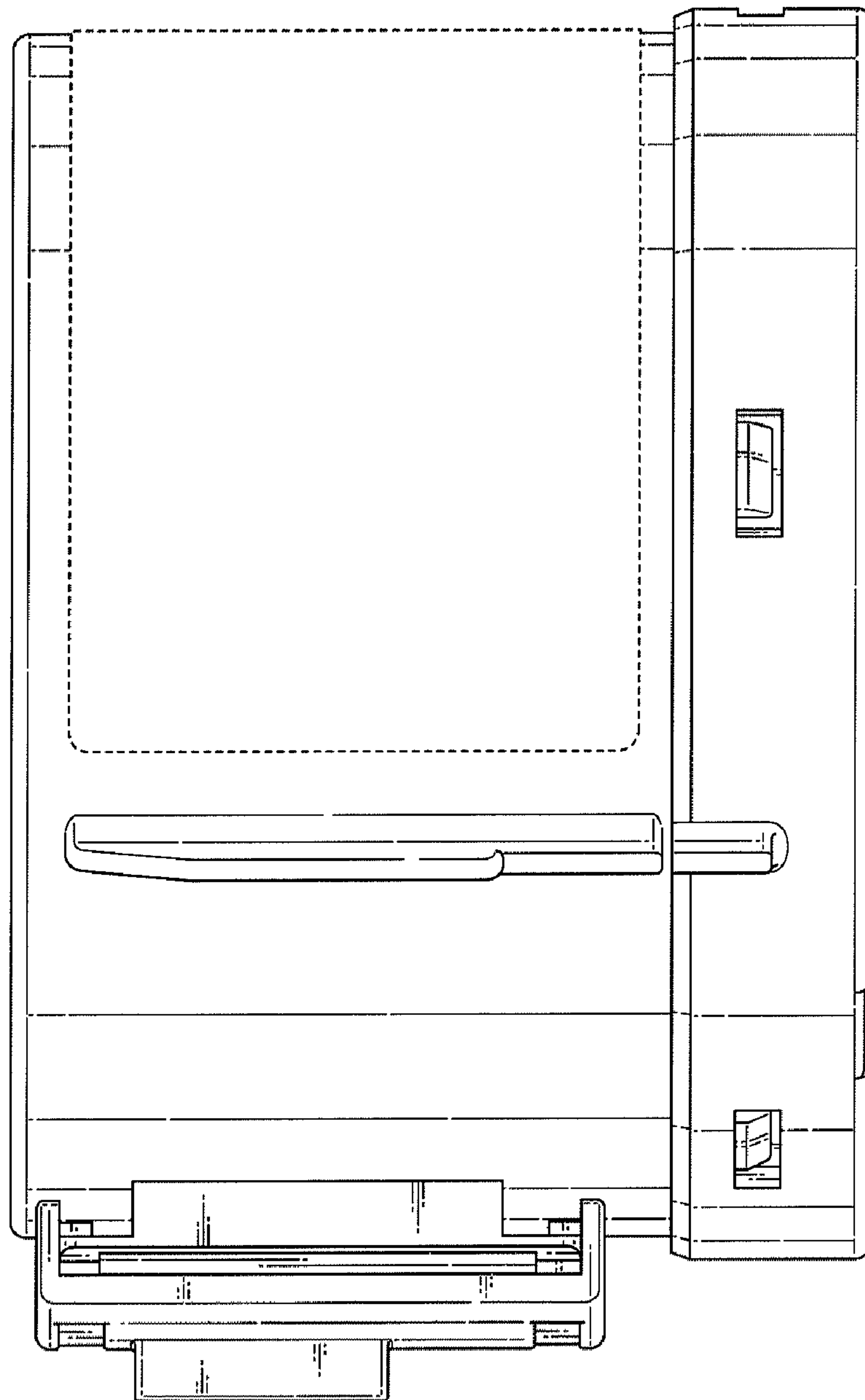


Fig. 10

