



US00D648778S

(12) **United States Design Patent**  
**Saito**

(10) **Patent No.:** **US D648,778 S**

(45) **Date of Patent:** **\*\* Nov. 15, 2011**

(54) **TONER CARTRIDGE**

(75) Inventor: **Kazuhiro Saito**, Kanagawa (JP)

(73) Assignee: **Fuji Xerox Co., Ltd.**, Tokyo (JP)

(\*\*) Term: **14 Years**

(21) Appl. No.: **29/387,489**

(22) Filed: **Mar. 14, 2011**

(30) **Foreign Application Priority Data**

Sep. 15, 2010 (JP) ..... 2010-022189

(51) **LOC (9) Cl.** ..... **16-03**

(52) **U.S. Cl.** ..... **D18/43**

(58) **Field of Classification Search** ..... D14/471;  
D18/12, 36, 40, 43, 44, 56; 222/DIG. 1;  
347/197, 222; 399/24-28, 107-112, 119,  
399/121, 122, 222-224

See application file for complete search history.

(56) **References Cited**

**U.S. PATENT DOCUMENTS**

D371,389 S *	7/1996	Taneya et al.	.....	D18/56
D374,033 S *	9/1996	Tokuda et al.	.....	D18/56
D390,867 S *	2/1998	Kurisu	.....	D18/40
D431,593 S *	10/2000	Gumbe	.....	D18/40
D471,582 S *	3/2003	Mori	.....	D18/40
D537,105 S *	2/2007	Obenshain et al.	.....	D18/12
D553,673 S *	10/2007	Ikeda	.....	D18/43
D585,090 S *	1/2009	Ishizawa	.....	D18/56

D612,415 S *	3/2010	Harada	.....	D18/56
D614,695 S *	4/2010	Harada	.....	D18/56
2010/0322666 A1	12/2010	Inomata et al.		

**FOREIGN PATENT DOCUMENTS**

JP 2011-007828 A 1/2011

**OTHER PUBLICATIONS**

U.S. Application No. 29/387,486, filed Mar. 14, 2011 to Kazuhiro Saito.

\* cited by examiner

*Primary Examiner* — Garth Rademaker

(74) *Attorney, Agent, or Firm* — Sughrue Mion, PLLC

(57) **CLAIM**

The ornamental design for a toner cartridge, as shown and described.

**DESCRIPTION**

FIG. 1 is a bottom, front, left side perspective view of a toner cartridge showing my new design;  
FIG. 2 is a top, rear, right side perspective view thereof;  
FIG. 3 is a top, front, right side perspective view thereof;  
FIG. 4 is a front view thereof;  
FIG. 5 is a rear view thereof;  
FIG. 6 is a top plan view thereof;  
FIG. 7 is a bottom view thereof;  
FIG. 8 is a left side view thereof; and,  
FIG. 9 is a right side view thereof.

The portions of the article in broken line are shown for illustrative purposes only and form no part of the claimed design.

**1 Claim, 8 Drawing Sheets**

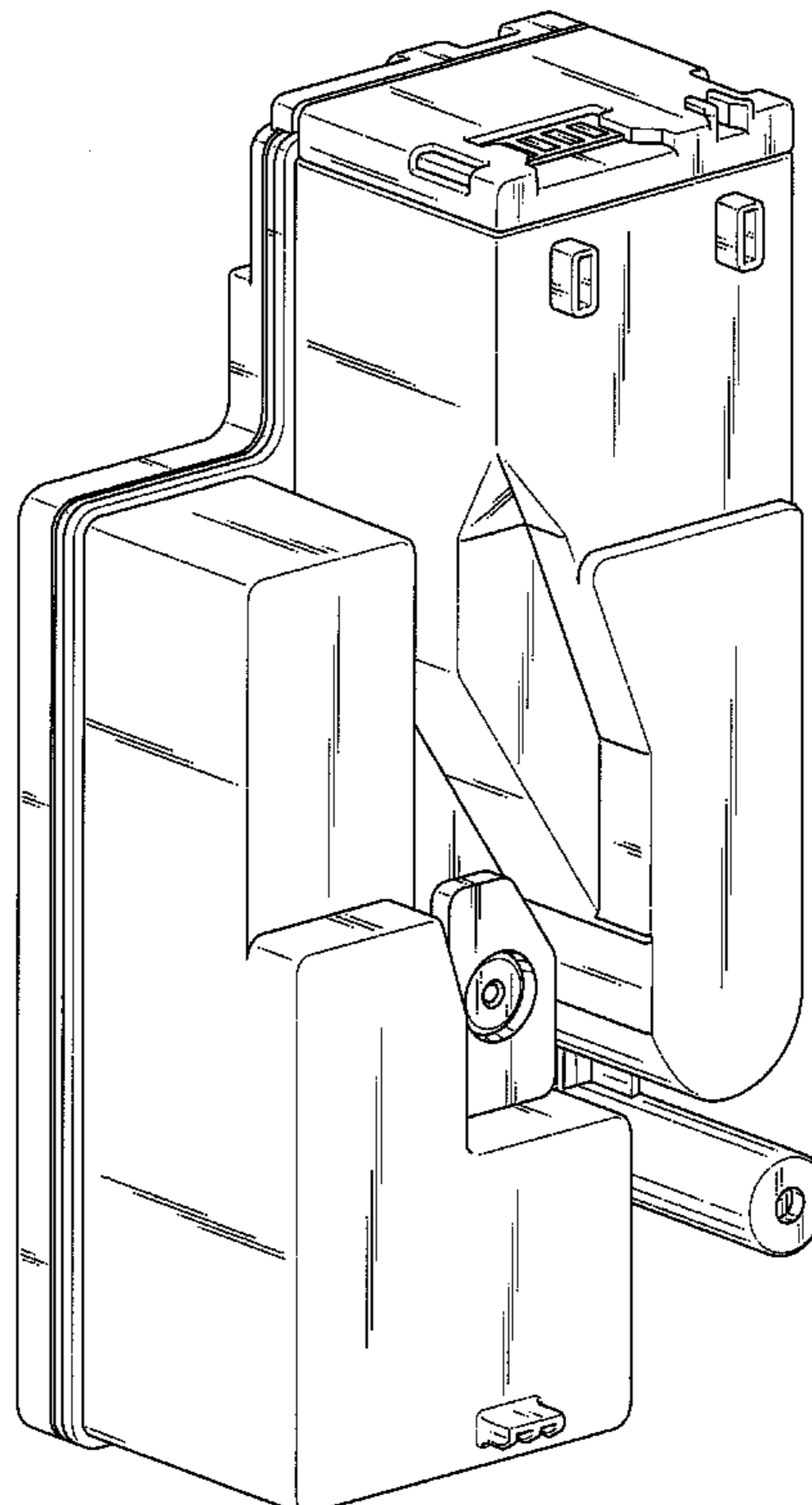
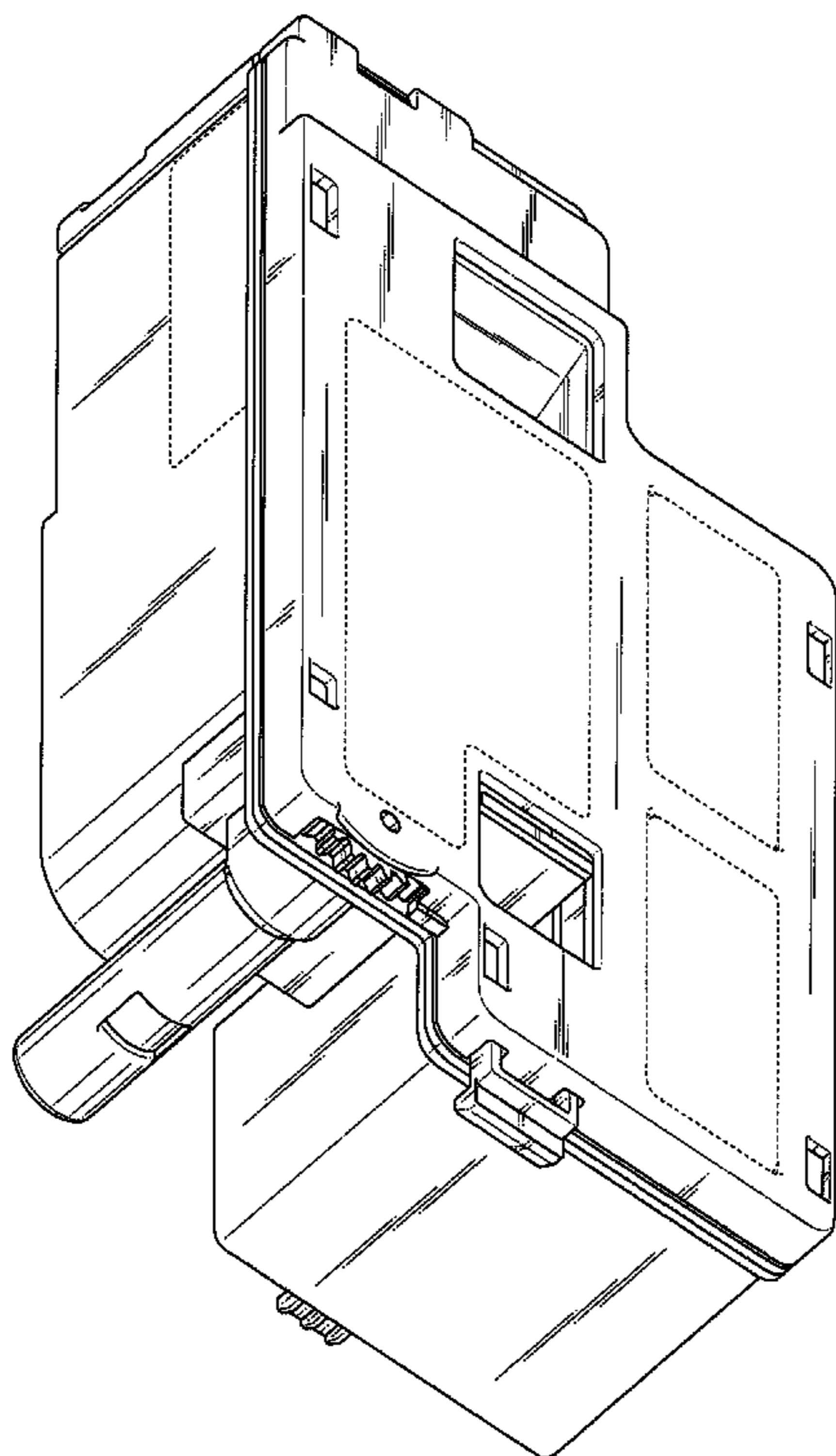


Fig. 1

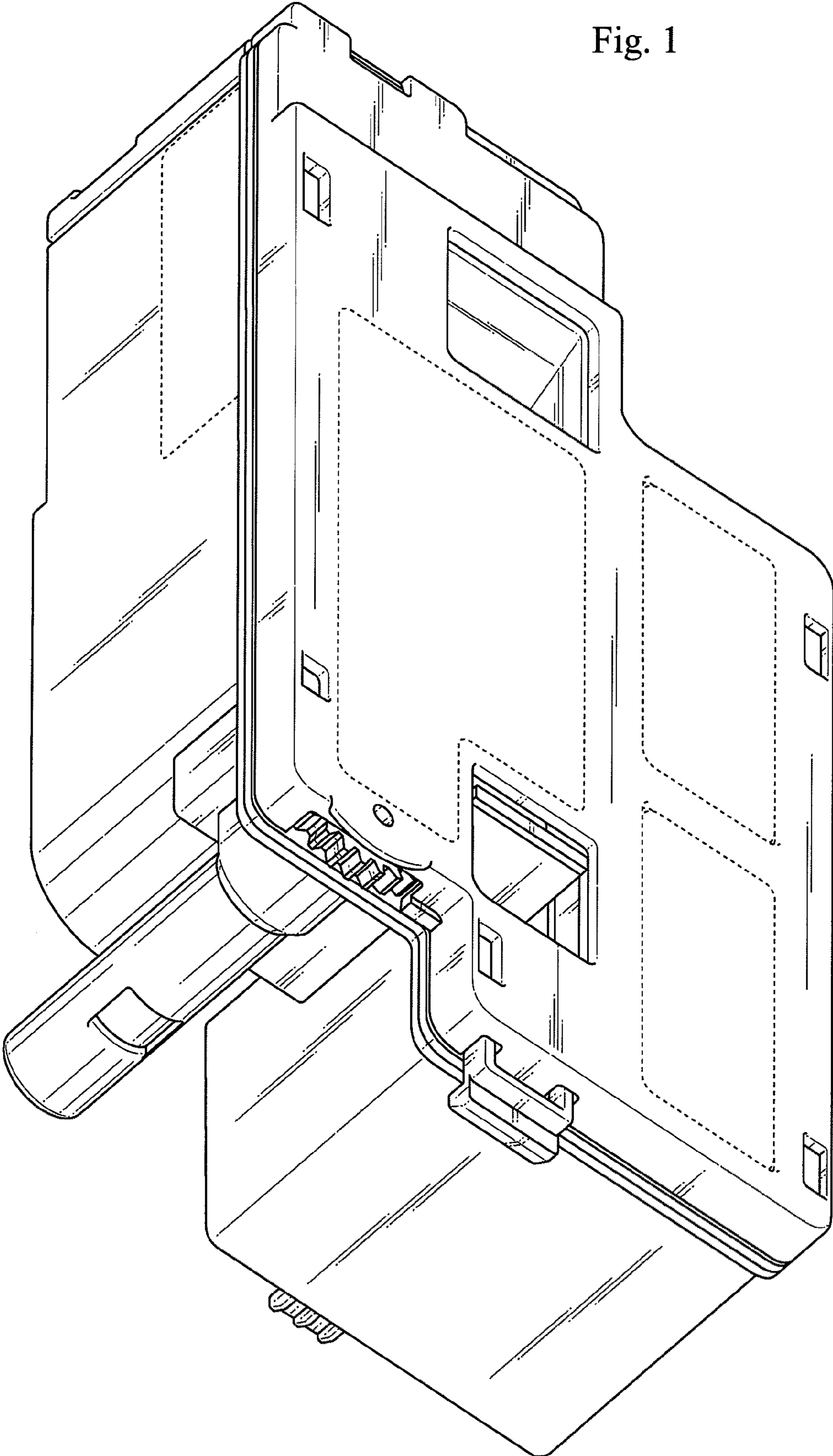
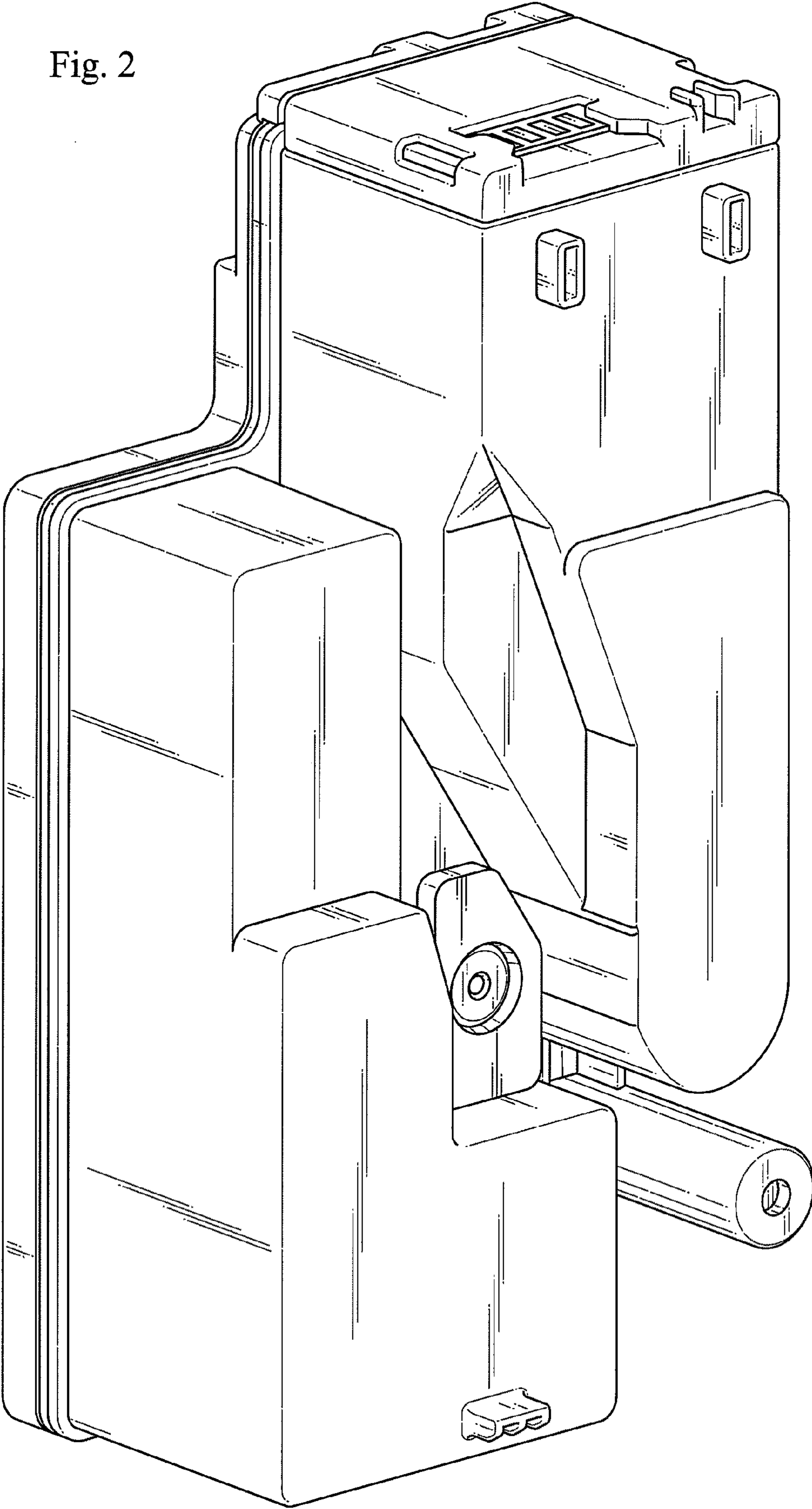


Fig. 2



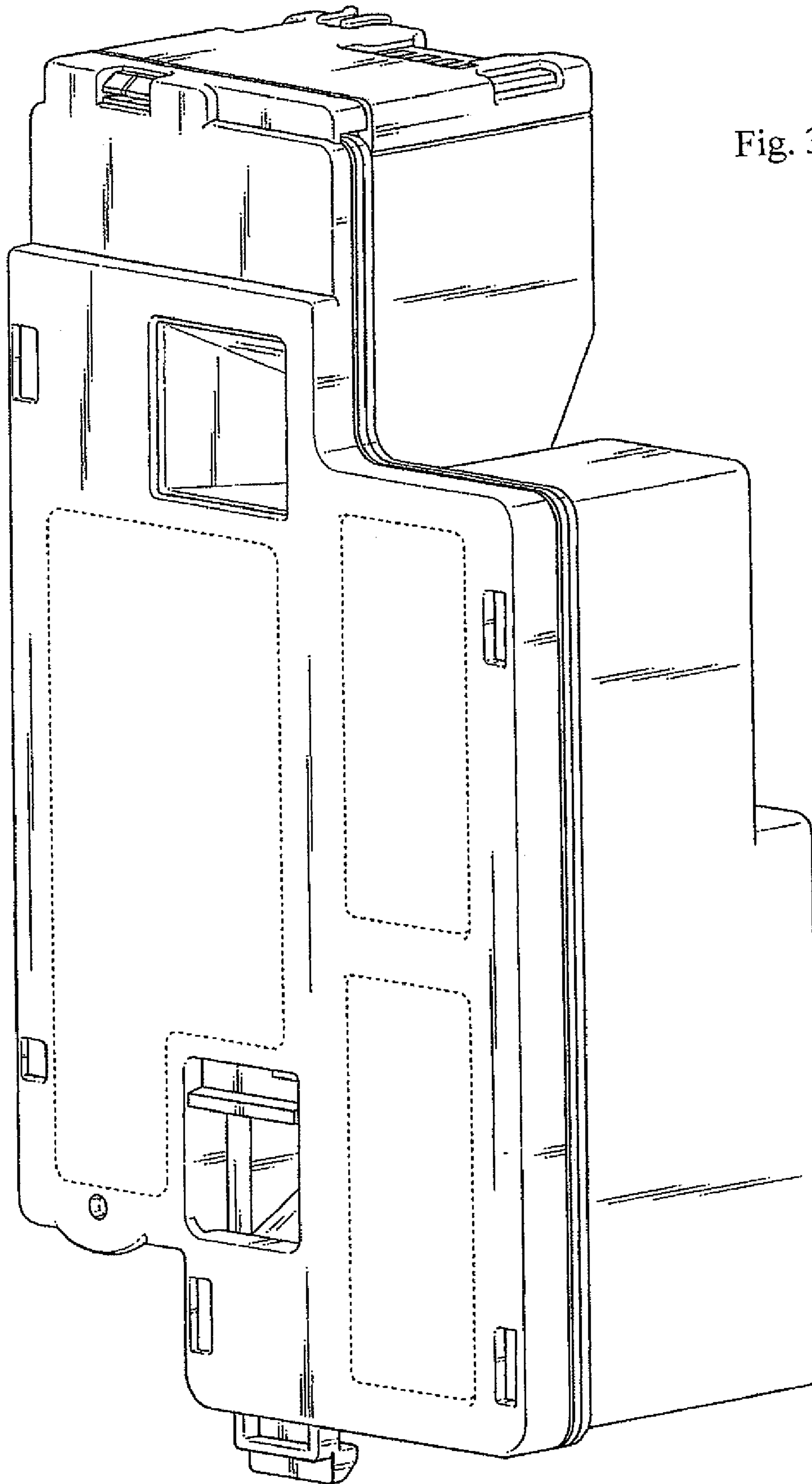


Fig. 3

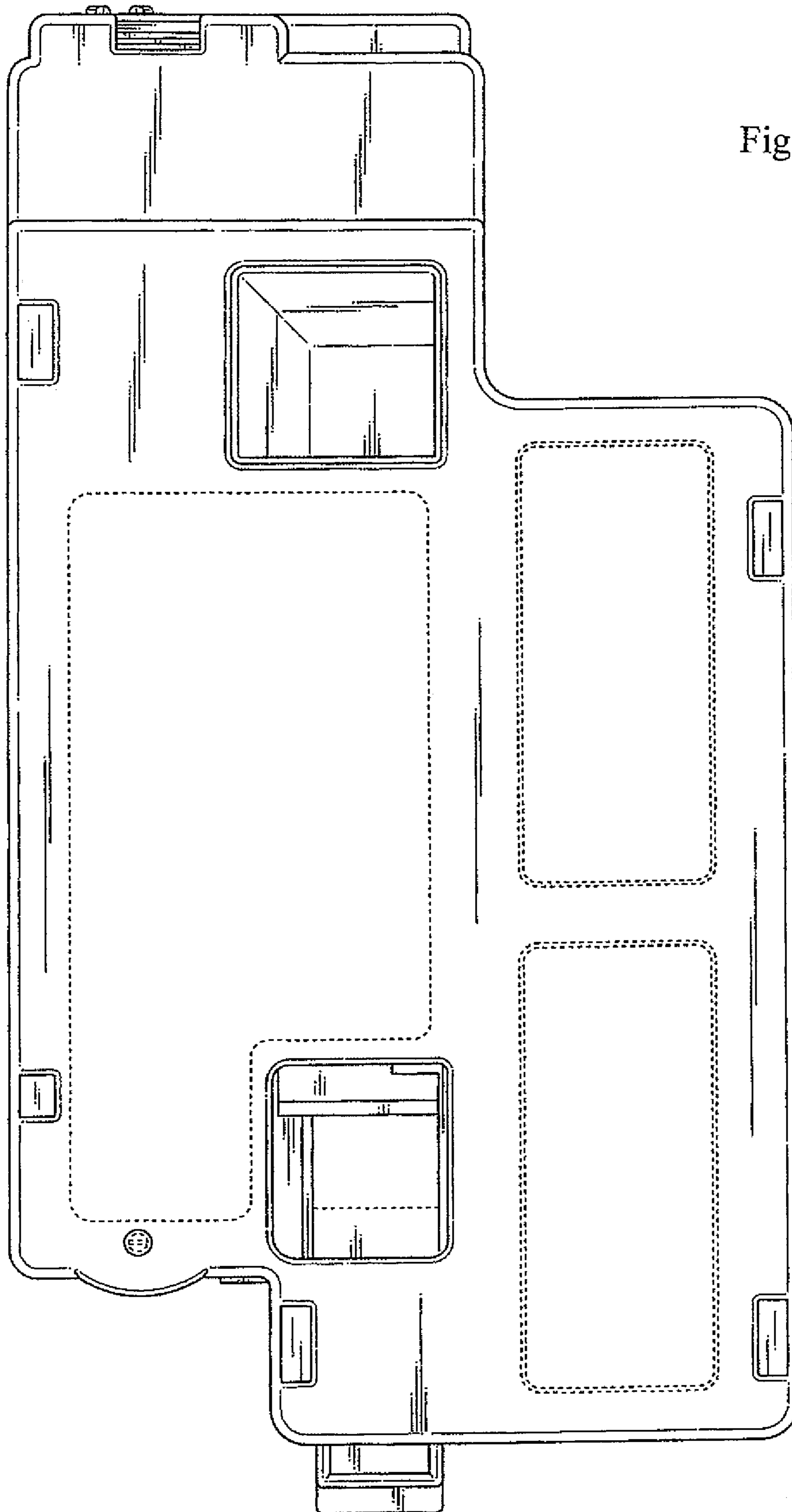


Fig. 4

Fig. 5

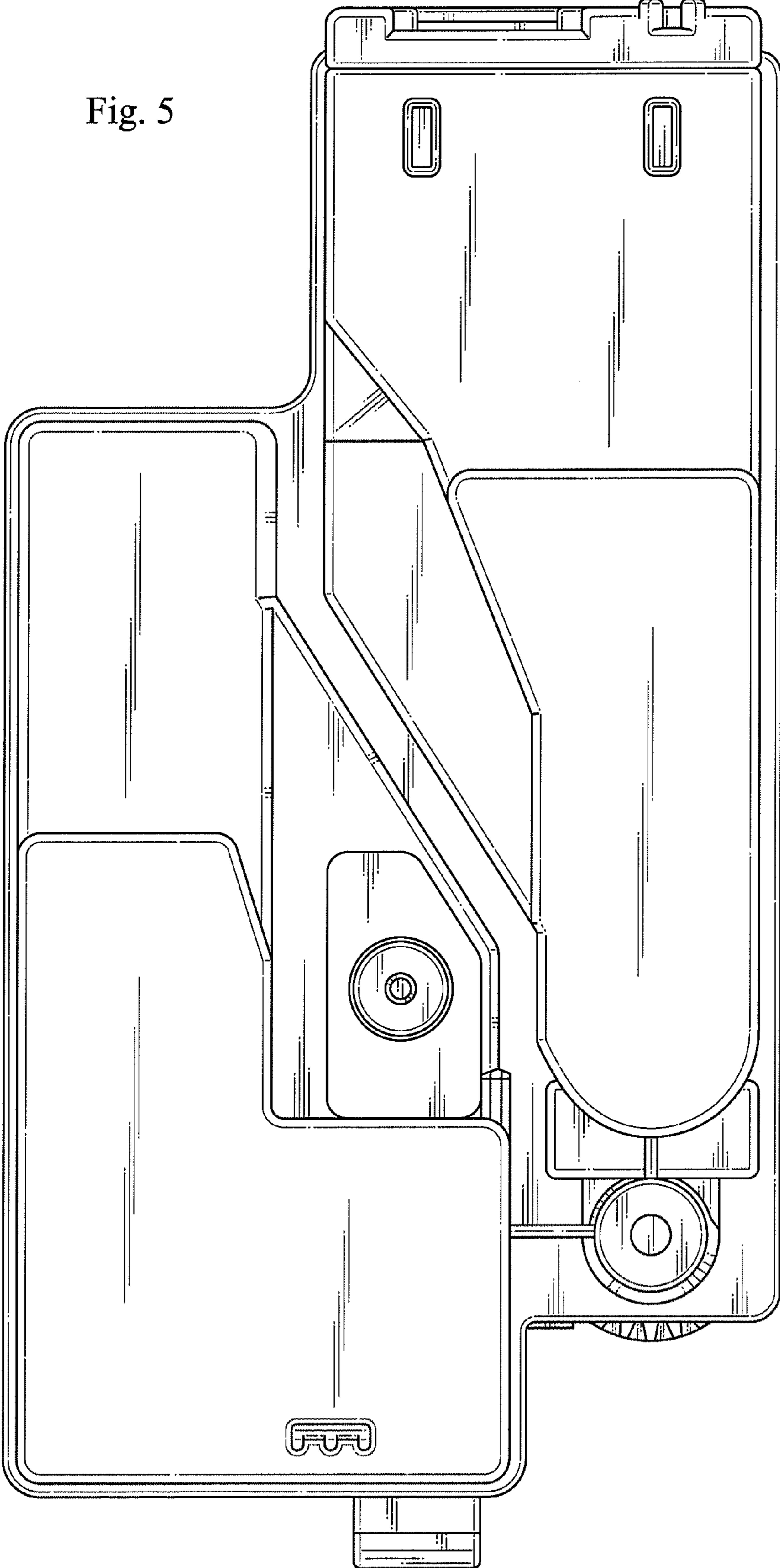


Fig. 6

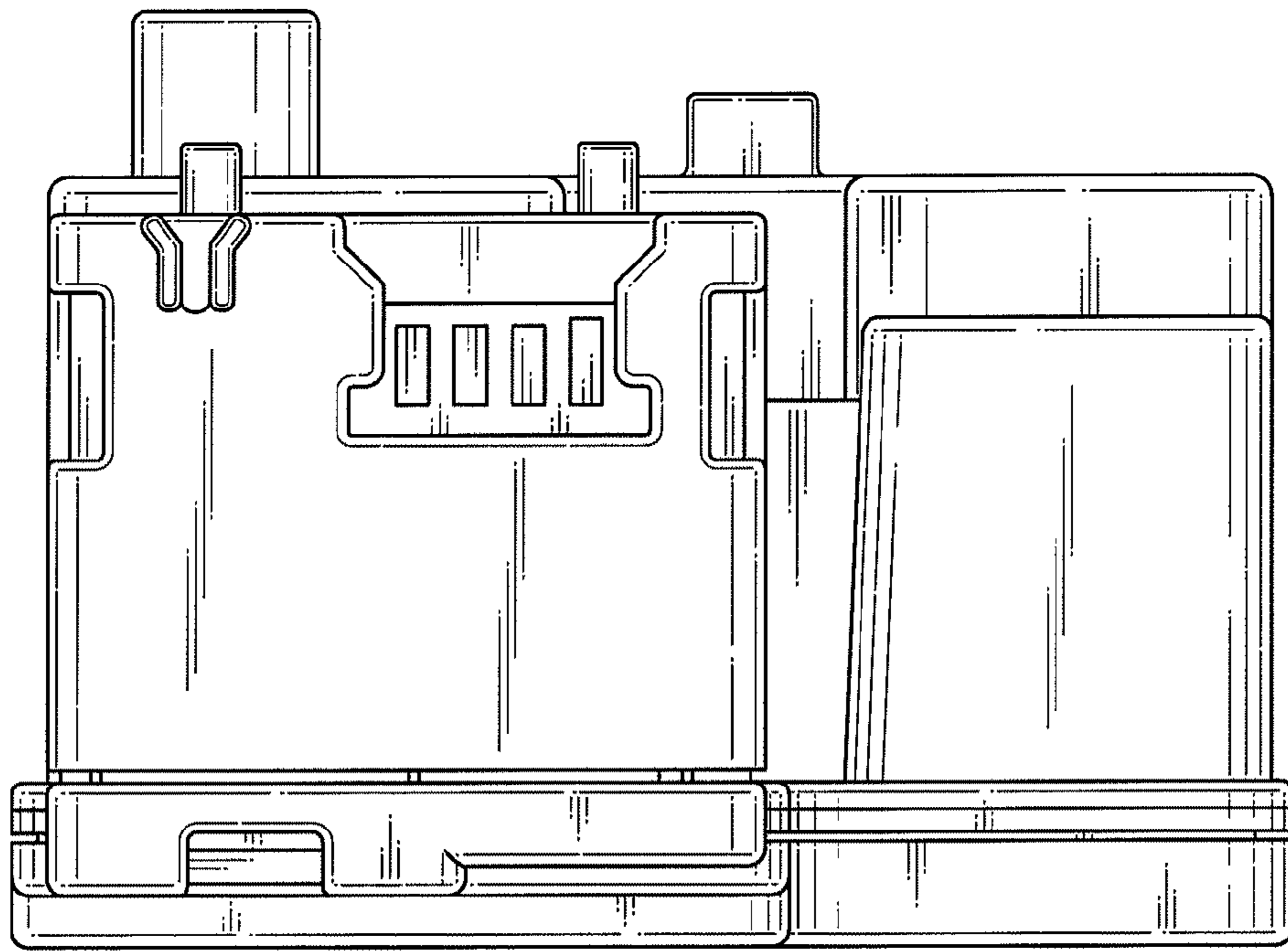


Fig. 7

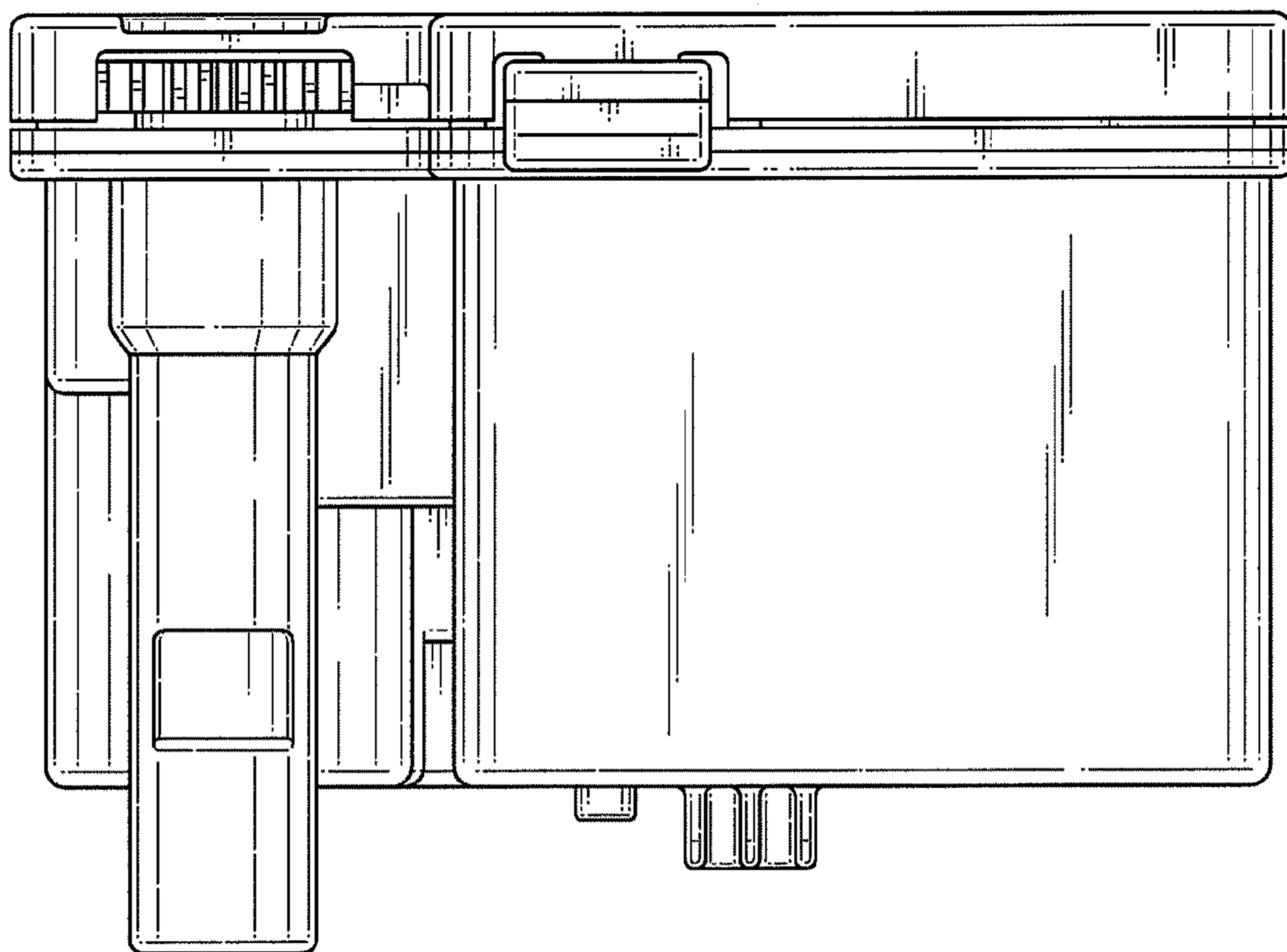


Fig. 8

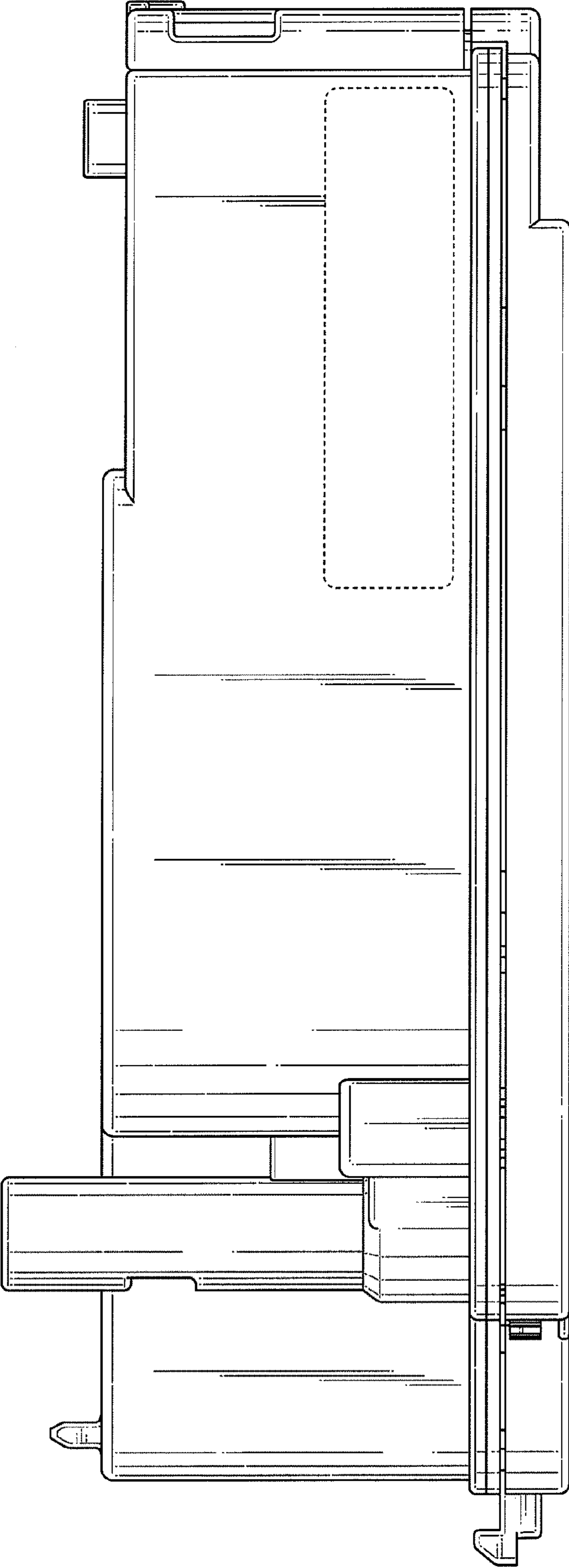




Fig. 9

