



US00D648777S

(12) **United States Design Patent**
Saito

(10) **Patent No.:** **US D648,777 S**

(45) **Date of Patent:** **** Nov. 15, 2011**

(54) **TONER CARTRIDGE**

(75) Inventor: **Kazuhiro Saito**, Kanagawa (JP)

(73) Assignee: **Fuji Xerox Co., Ltd.**, Tokyo (JP)

(**) Term: **14 Years**

(21) Appl. No.: **29/387,486**

(22) Filed: **Mar. 14, 2011**

(30) **Foreign Application Priority Data**

Sep. 15, 2010 (JP) D2010-022190

(51) **LOC (9) Cl.** **16-03**

(52) **U.S. Cl.** **D18/43**

(58) **Field of Classification Search** D14/471;
D18/12, 36, 40, 43, 44, 56; 222/DIG. 1;
347/197, 222; 399/24-28, 107-112, 119,
399/121, 122, 222-224
See application file for complete search history.

(56) **References Cited**

U.S. PATENT DOCUMENTS

| | | | | |
|--------------|---------|------------------|-------|--------|
| D371,389 S * | 7/1996 | Taneya et al. | | D18/56 |
| D374,033 S * | 9/1996 | Tokuda et al. | | D18/56 |
| D390,867 S * | 2/1998 | Kurisu | | D18/40 |
| D431,593 S * | 10/2000 | Gumbe | | D18/40 |
| D471,582 S * | 3/2003 | Mori | | D18/40 |
| D537,105 S * | 2/2007 | Obenshain et al. | | D18/12 |
| D553,673 S * | 10/2007 | Ikeda | | D18/43 |
| D585,090 S * | 1/2009 | Ishizawa | | D18/56 |

| | | | | |
|-----------------|---------|----------------|-------|--------|
| D612,415 S * | 3/2010 | Harada | | D18/56 |
| D614,695 S * | 4/2010 | Harada | | D18/56 |
| 2010/0322666 A1 | 12/2010 | Inomata et al. | | |

FOREIGN PATENT DOCUMENTS

JP 2011-7828 A 1/2011

* cited by examiner

Primary Examiner — Garth Rademaker

(74) *Attorney, Agent, or Firm* — Sughrue Mion, PLLC

(57) **CLAIM**

The ornamental design for a toner cartridge, as shown and described.

DESCRIPTION

FIG. 1 is a bottom, front, left side perspective view of a toner cartridge showing my new design;
FIG. 2 is a top, rear, right side perspective view thereof;
FIG. 3 is a top, front, right side perspective view thereof;
FIG. 4 is a front view thereof;
FIG. 5 is a rear view thereof;
FIG. 6 is a top plan view thereof;
FIG. 7 is a bottom view thereof;
FIG. 8 is a left side view thereof; and,
FIG. 9 is a right side view thereof.
The portions of the article in broken line are shown for illustrative purposes only and form no part of the claimed design.

1 Claim, 8 Drawing Sheets

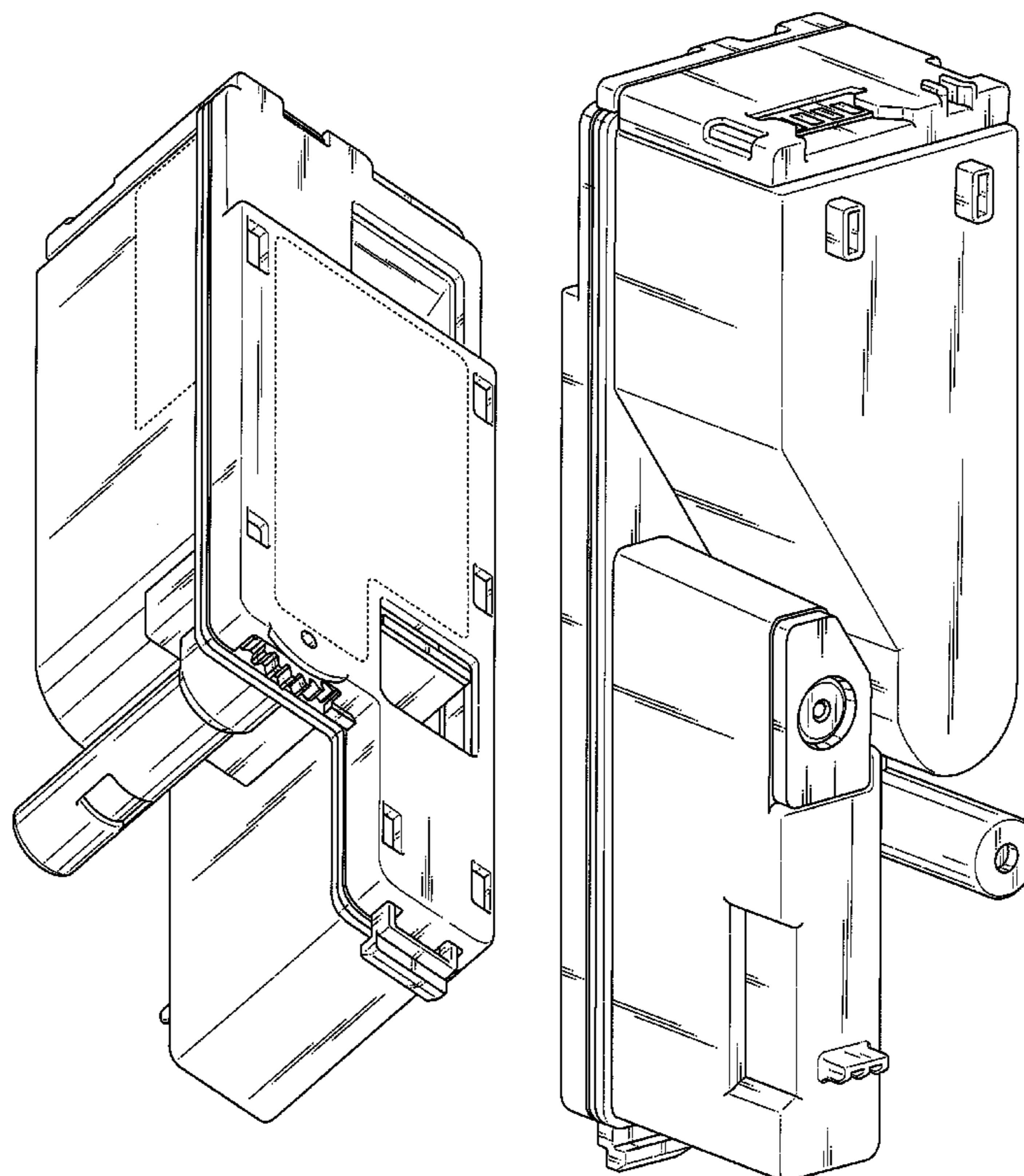


Fig. 1

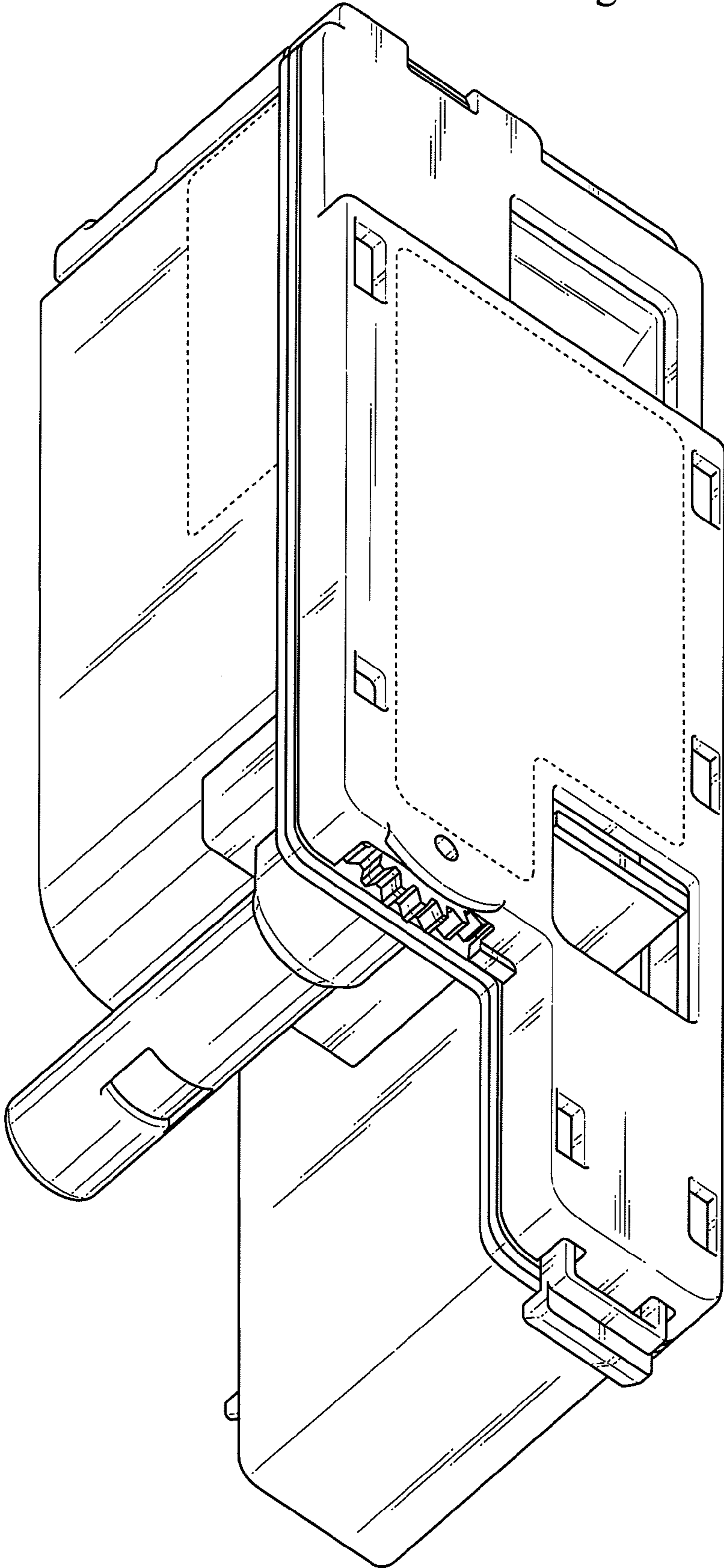


Fig. 2

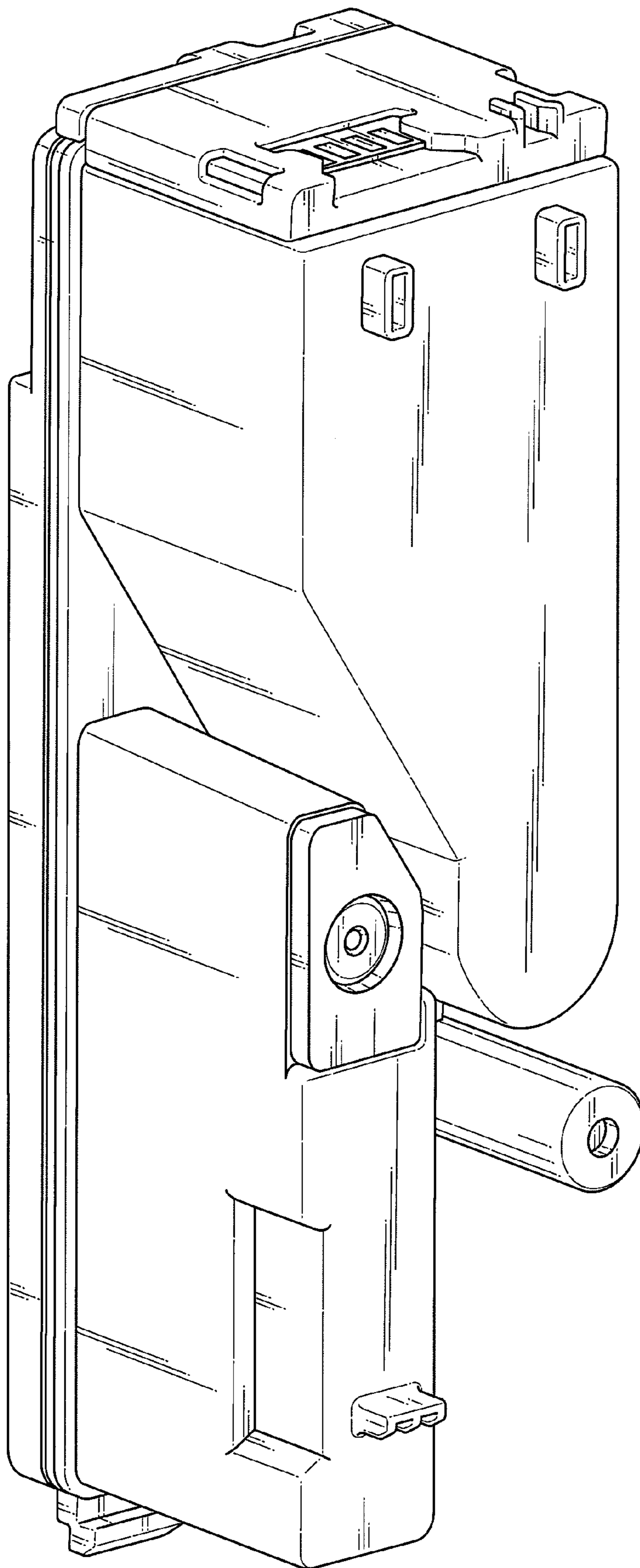


Fig. 3

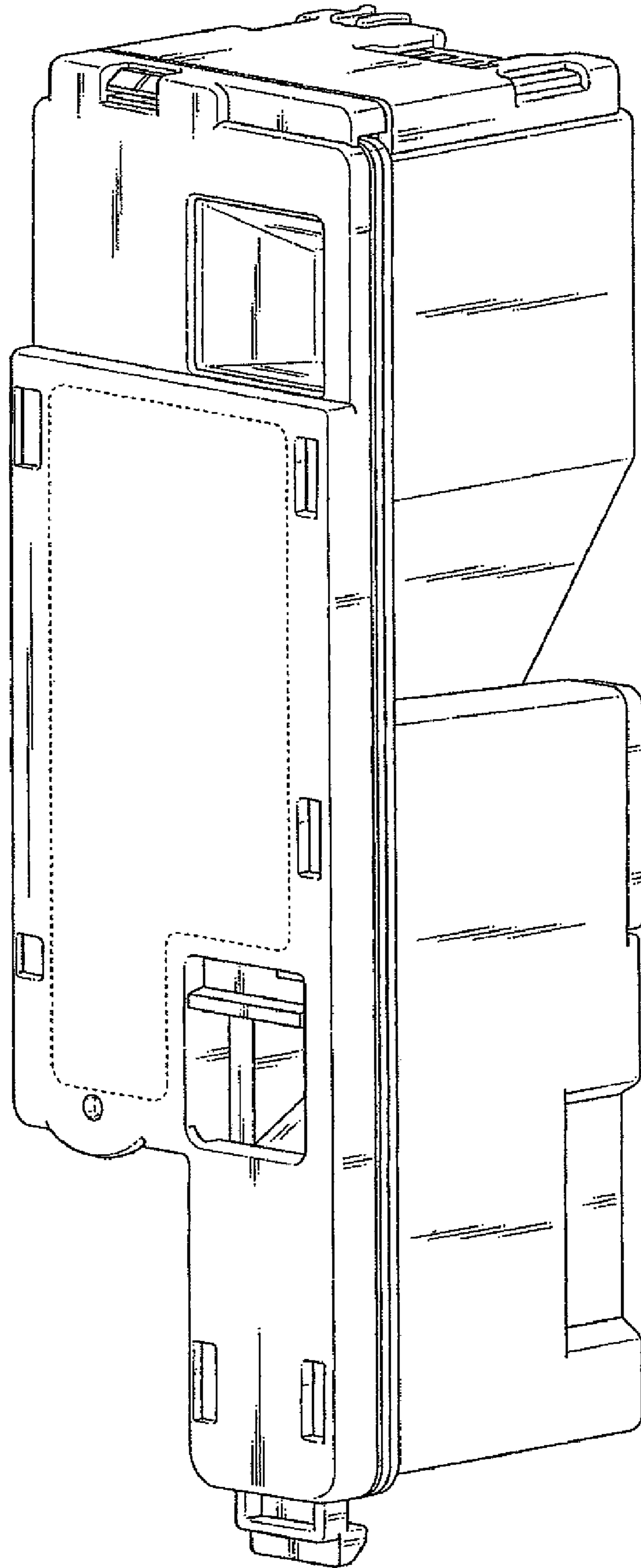


Fig. 4

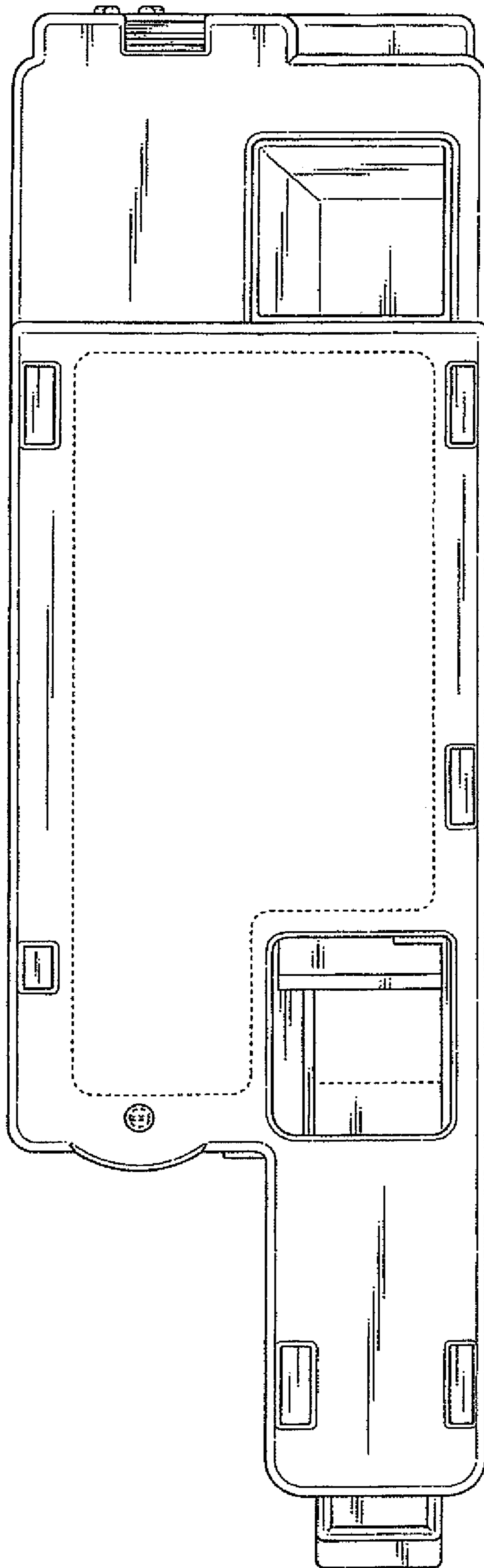


Fig. 5

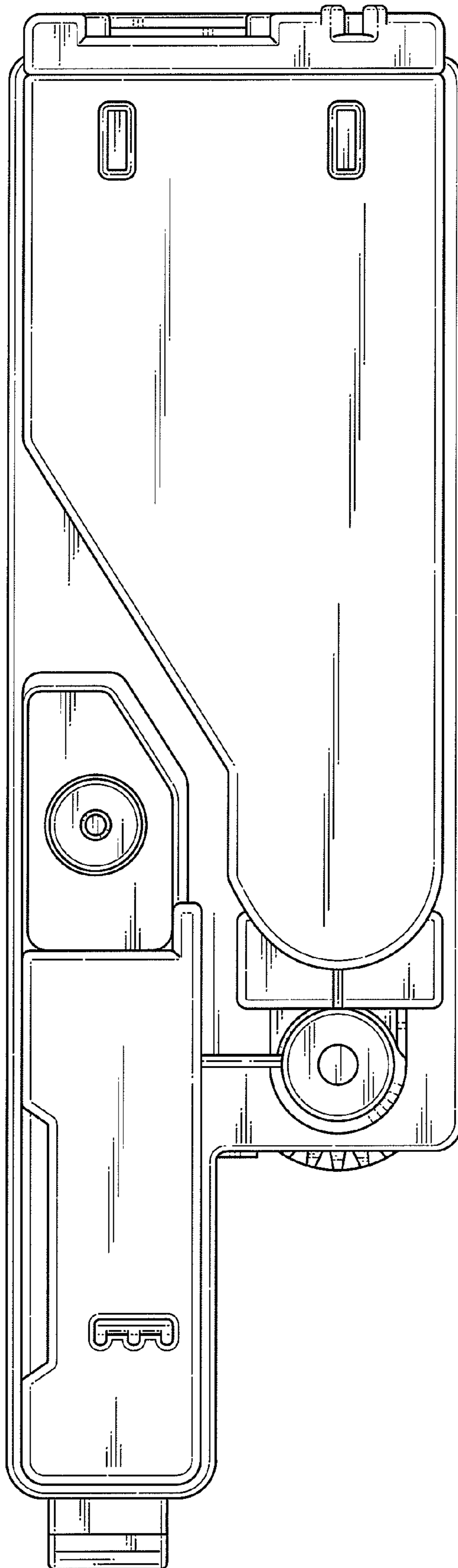


Fig. 6

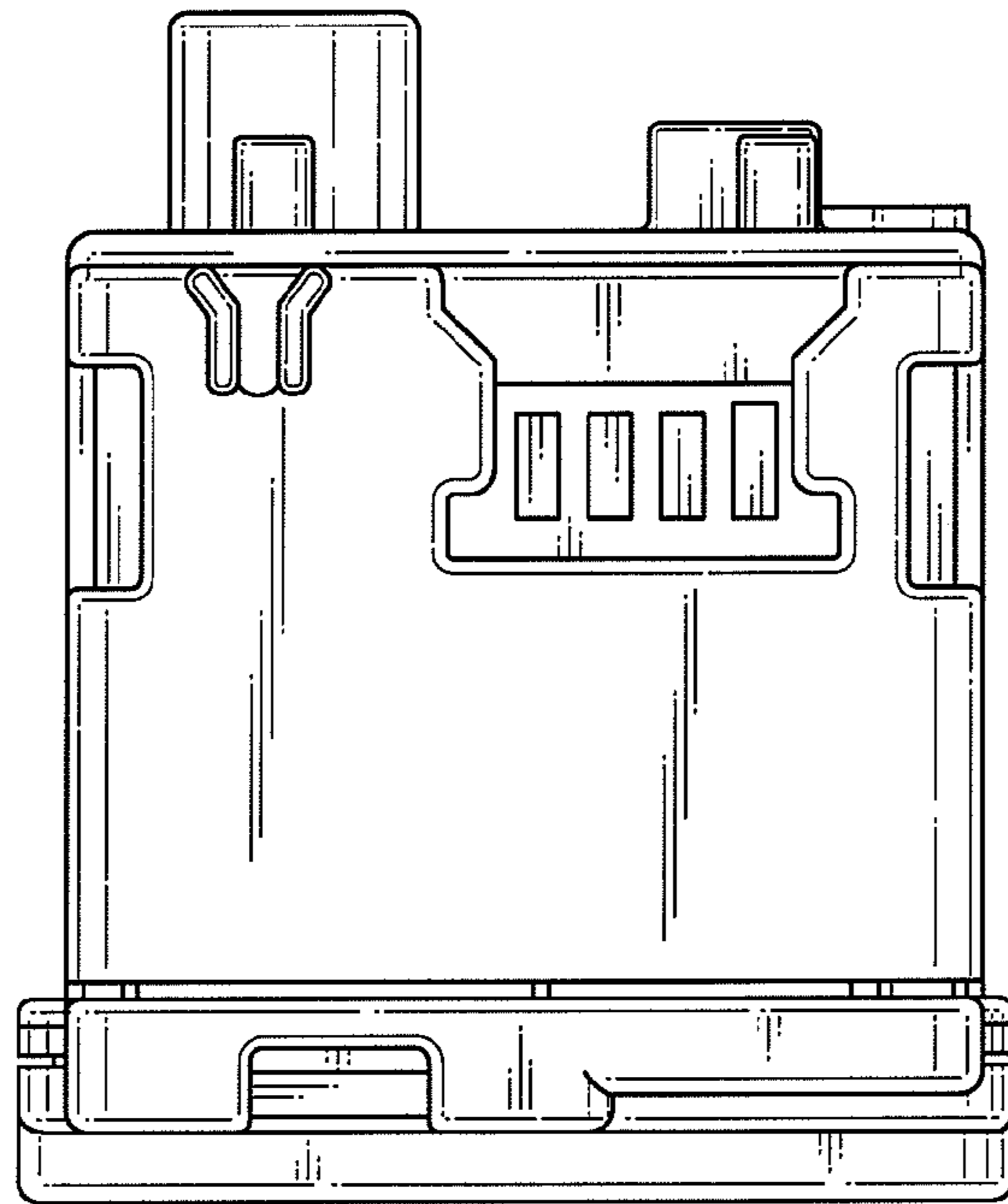


Fig. 7

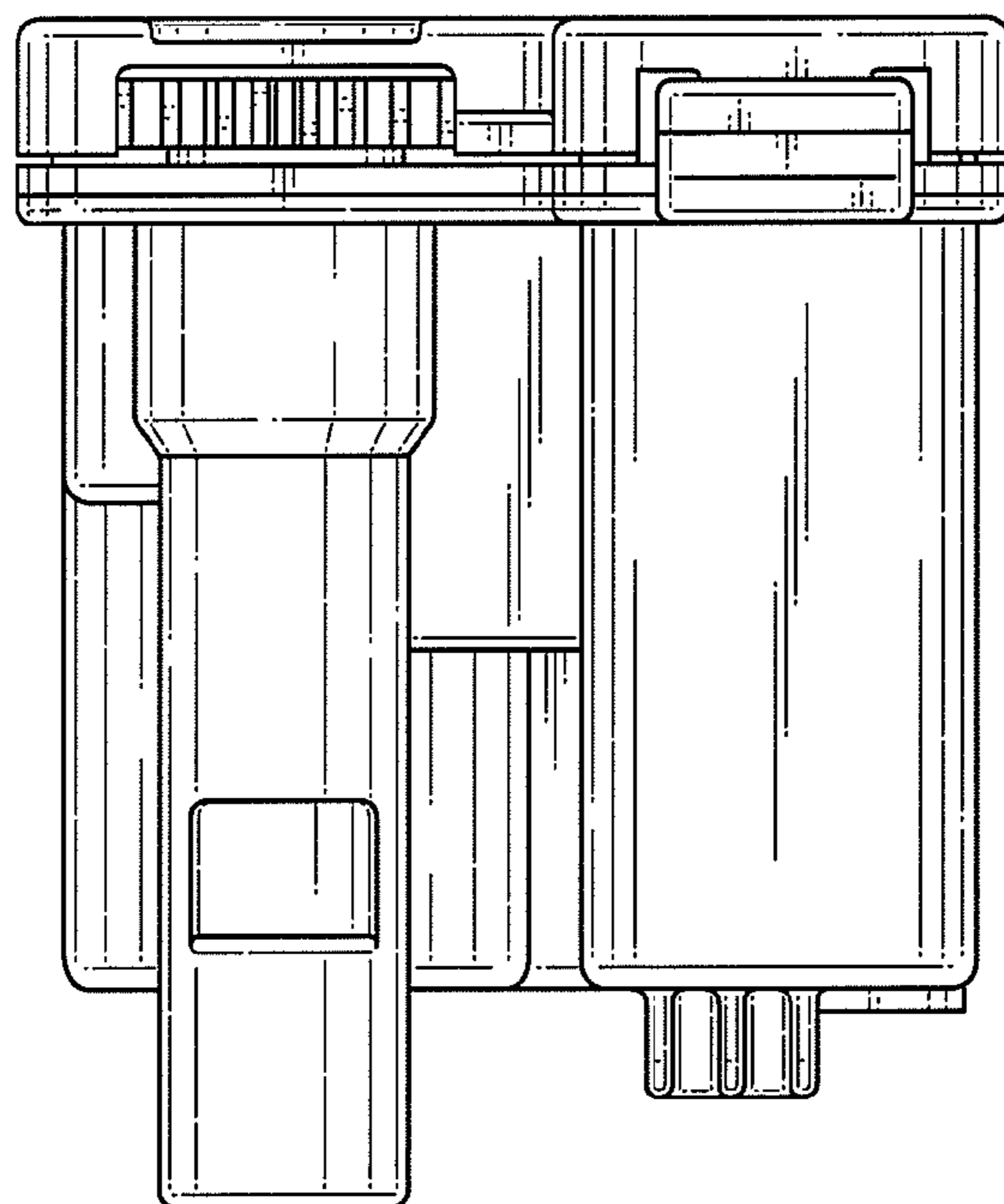


Fig. 8

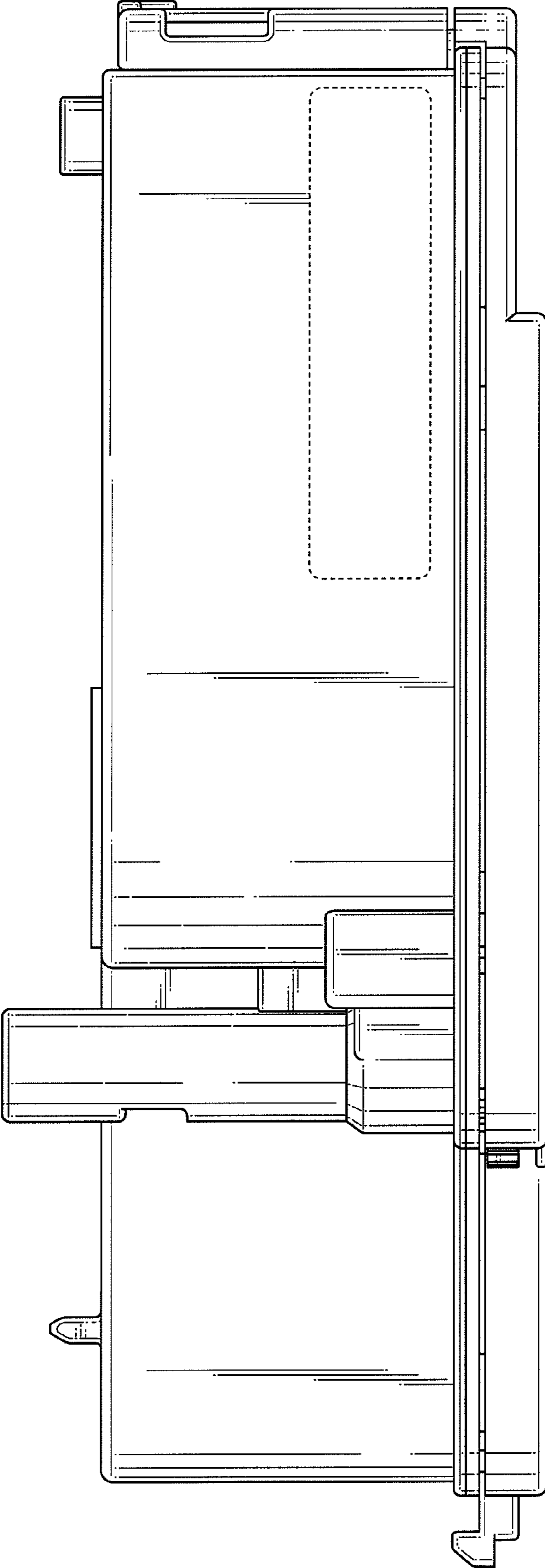


Fig. 9

