



US00D648775S

(12) **United States Design Patent**
Rockett

(10) **Patent No.:** **US D648,775 S**

(45) **Date of Patent:** **** Nov. 15, 2011**

(54) **DRUMLUG**

(76) Inventor: **Rikki Rockett**, Aqua Dulce, CA (US)

(**) Term: **14 Years**

(21) Appl. No.: **29/353,705**

(22) Filed: **Jan. 13, 2010**

(51) **LOC (9) Cl.** **17-04**

(52) **U.S. Cl.** **D17/22**

(58) **Field of Classification Search** D17/22,
D17/23, 99; D8/397; 84/411 R, 413, 411 A,
84/414, 420, 421, 419

See application file for complete search history.

D521,858 S *	5/2006	Roy	D8/397
7,351,899 B2 *	4/2008	Kennedy	84/411 R
D580,477 S *	11/2008	Sikra et al.	D17/22
D583,656 S *	12/2008	Bush	D8/397
7,511,211 B2 *	3/2009	Kennedy	84/413
D590,243 S *	4/2009	Bush	D8/397
D621,869 S *	8/2010	Rockett	D17/22
2004/0065185 A1 *	4/2004	Hagiwara	84/413
2005/0188817 A1 *	9/2005	Whittington	84/413
2006/0207406 A1 *	9/2006	Kennedy	84/411 R
2008/0141845 A1 *	6/2008	Kennedy	84/413
2009/0173210 A1 *	7/2009	Yamamoto	84/413
2009/0282964 A1 *	11/2009	Ito	84/413

* cited by examiner

Primary Examiner — Mark Goodwin

(74) *Attorney, Agent, or Firm* — Richard S Erbe

(56) **References Cited**

U.S. PATENT DOCUMENTS

3,456,549 A *	7/1969	Horton	411/427
D252,353 S *	7/1979	Mikosz	D17/22
D270,167 S *	8/1983	Hoey	D17/22
D279,906 S *	7/1985	Ireland	D17/22
D289,901 S *	5/1987	Starr	D17/22
4,693,163 A *	9/1987	Hsieh	84/413
D296,905 S *	7/1988	Donnelli	D17/22
D310,537 S *	9/1990	Yanagisawa	D17/22
D310,538 S *	9/1990	Yanagisawa	D17/22
D311,203 S *	10/1990	Yanagisawa	D17/22
D313,610 S *	1/1991	Starr	D17/22
D322,623 S *	12/1991	Craviotto et al.	D17/22
D353,612 S *	12/1994	Yanagisawa	D17/22
5,561,255 A *	10/1996	Sassmannshausen et al.	..	84/413
D385,777 S *	11/1997	Vallery	D8/397
D489,751 S *	5/2004	Liao	D17/22
D490,838 S *	6/2004	Liao	D17/22
D516,116 S *	2/2006	Webb	D17/22

(57) **CLAIM**

The ornamental design for a drum lug, as shown and described.

DESCRIPTION

FIG. 1 is a perspective view of a drum lug showing my new design;
 FIG. 2 is a front elevational view of my drum lug (the rear elevation view being a mirror image);
 FIG. 3 is a left side elevational view of my drum lug (the right side elevation view being a mirror image);
 FIG. 4 is a top plan view of my drum lug;
 FIG. 5 is a bottom plan view of my drum lug; and,
 FIG. 6 is a vertical cross-sectional view of my drum lug taken along line 6-6 in FIG. 2.

1 Claim, 2 Drawing Sheets

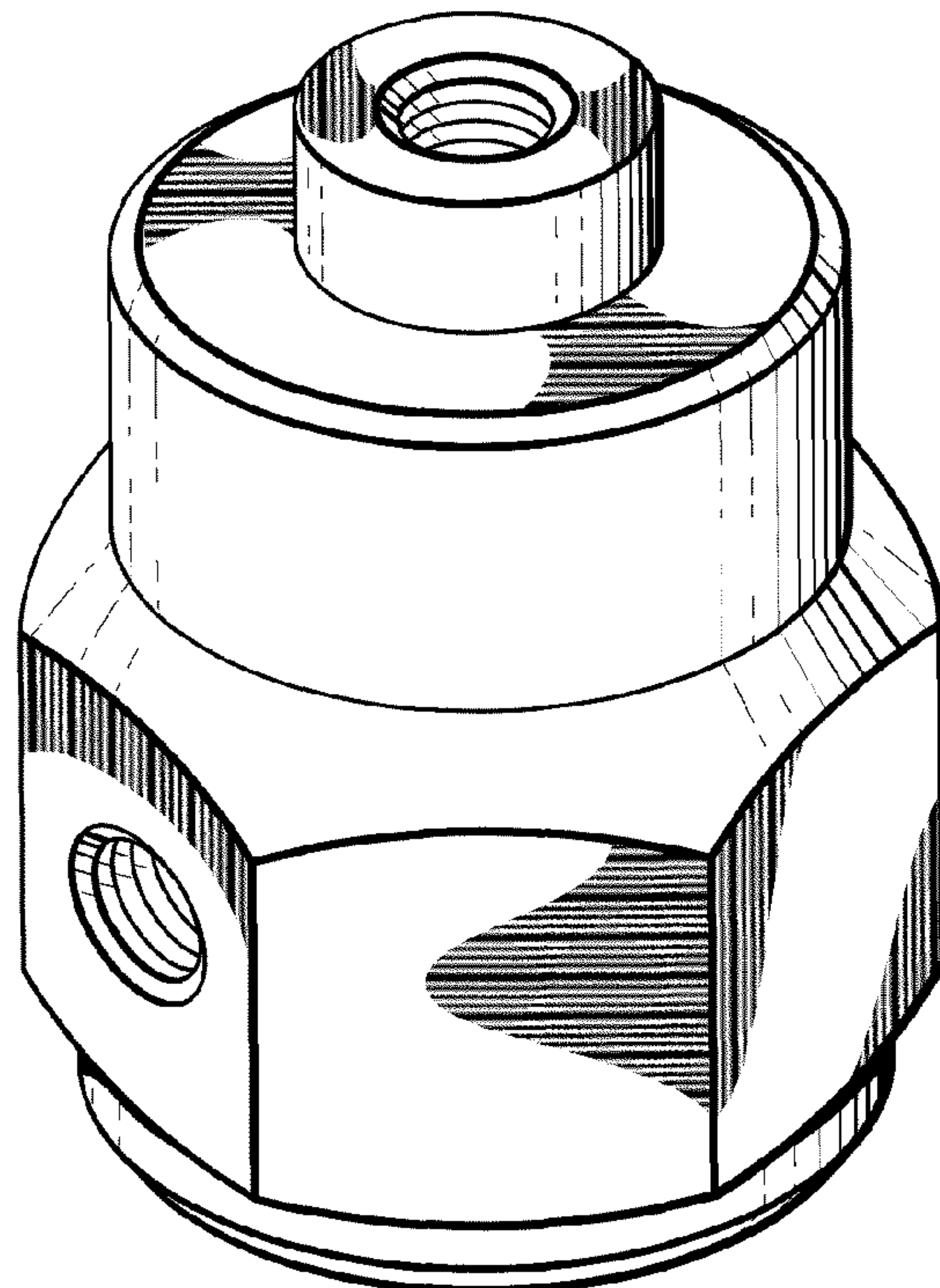


FIG. 1

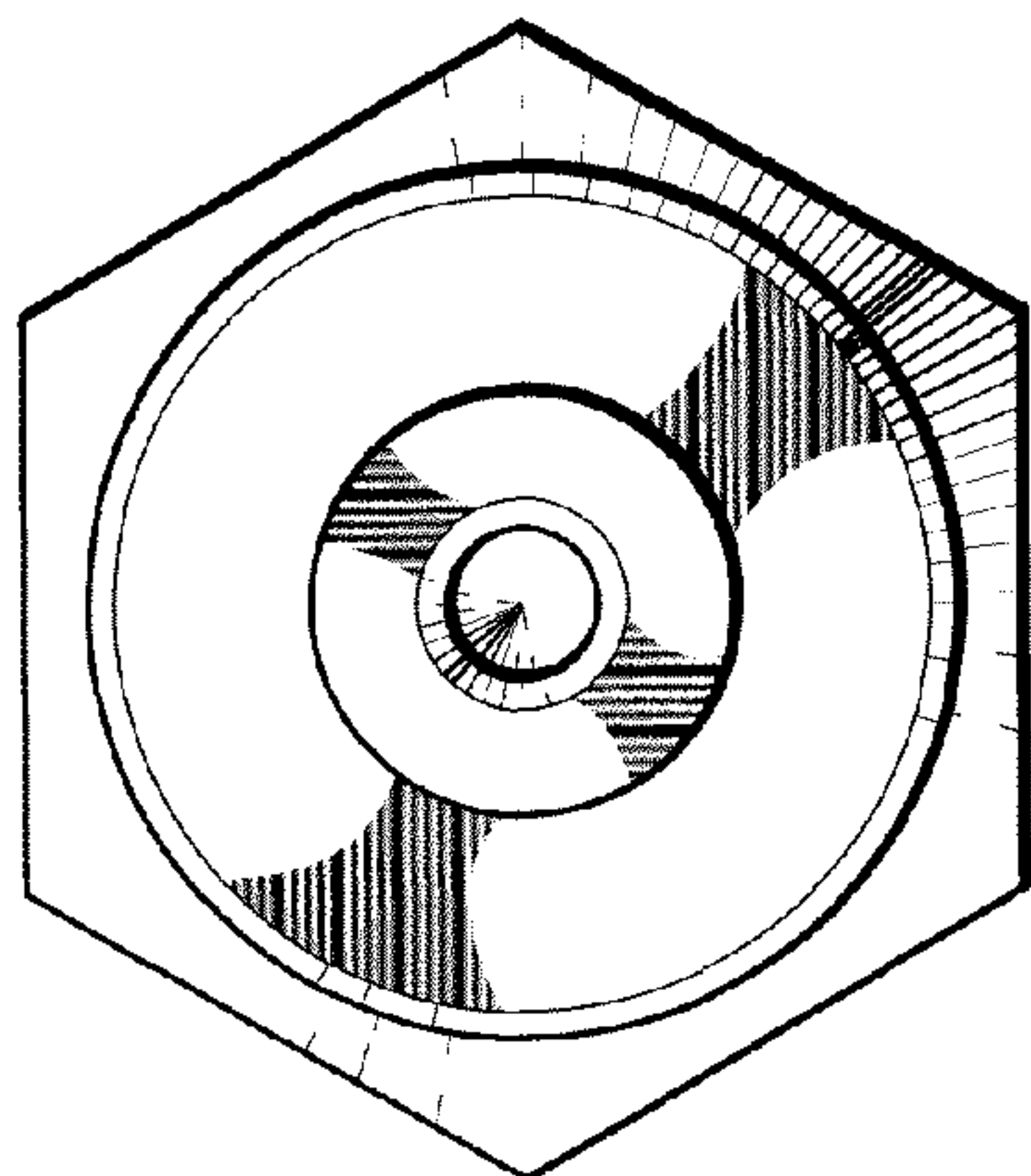
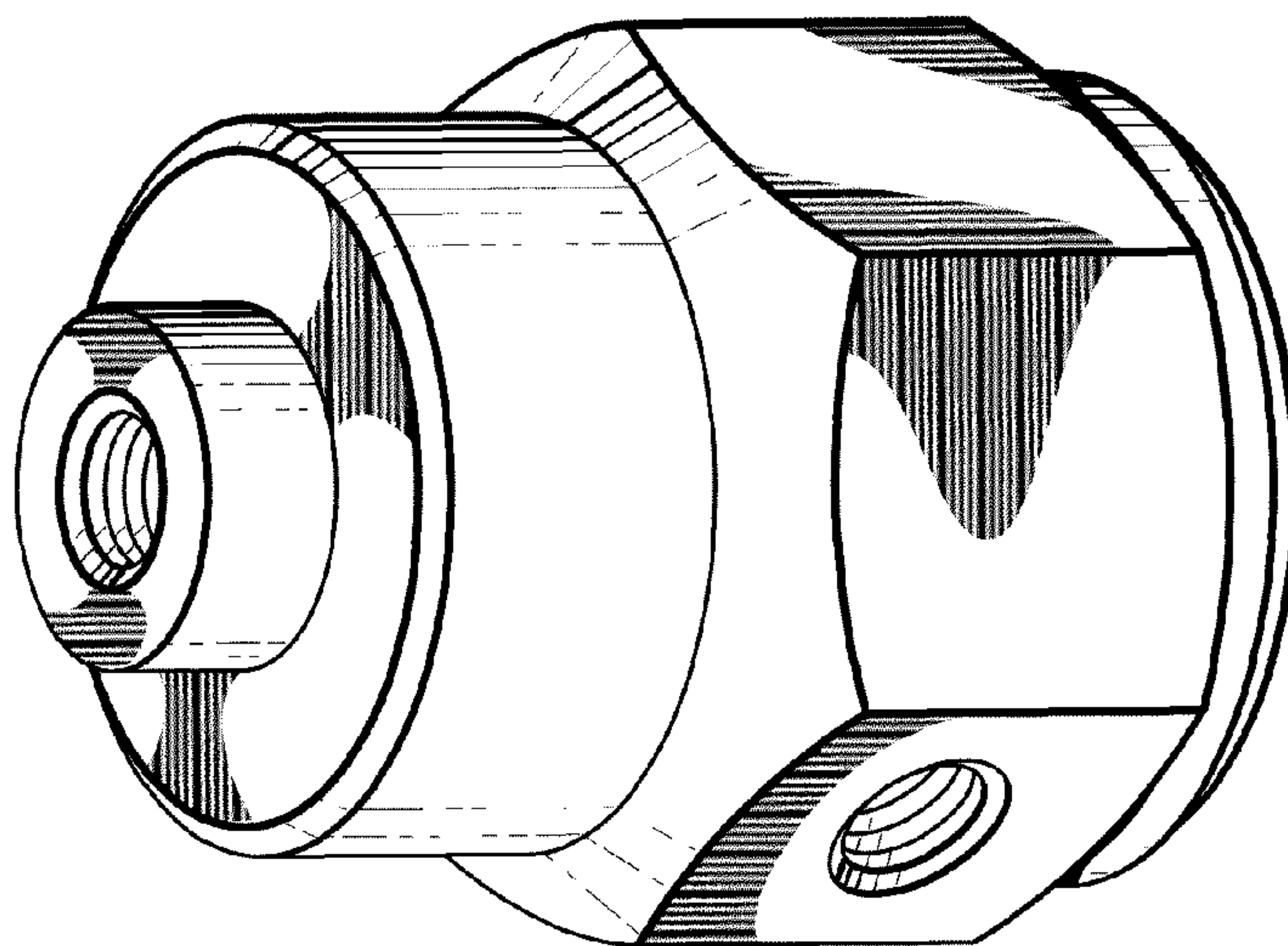


FIG. 4

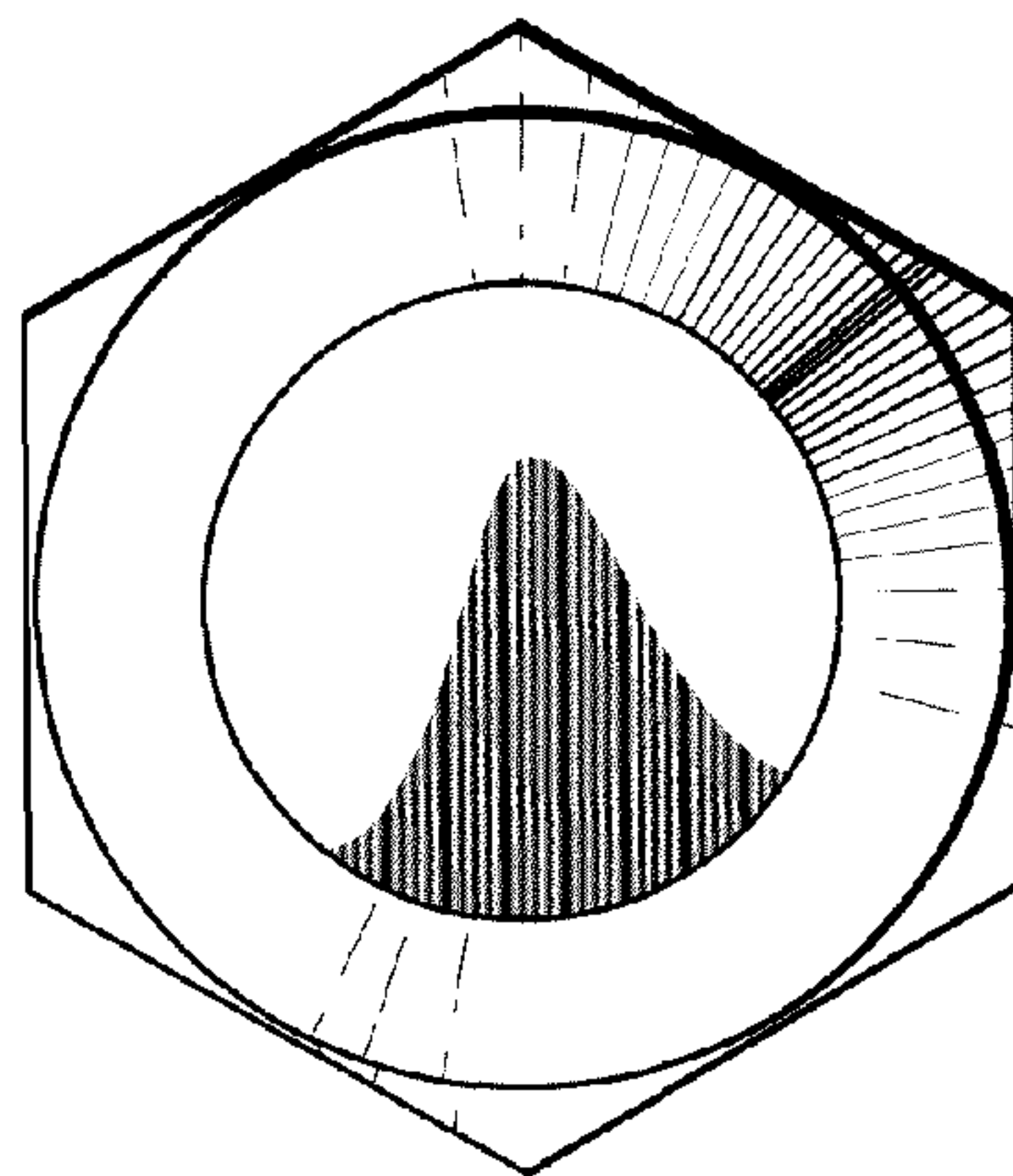


FIG. 5

