



US00D648771S

(12) **United States Design Patent**
Rohrbach

(10) **Patent No.:** **US D648,771 S**

(45) **Date of Patent:** **** Nov. 15, 2011**

(54) **EYEGLASS**

(75) Inventor: **Toby Rohrbach**, Camarillo, CA (US)

(73) Assignee: **Oakley, Inc.**, Foothill Ranch, CA (US)

(**) Term: **14 Years**

(21) Appl. No.: **29/383,479**

(22) Filed: **Jan. 18, 2011**

(51) **LOC (9) Cl.** **16-06**

(52) **U.S. Cl.** **D16/326; D16/325; D16/335**

(58) **Field of Classification Search** D16/101,
D16/300-342, 900; D29/109-110; D24/110.2;
351/41, 44, 51-52, 62, 158, 92, 103-123,
351/140, 153, 45-46; 2/426-432, 447-449,
2/441, 434-437, 13, 15; D21/483, 659-661
See application file for complete search history.

D570,897 S	6/2008	Fuchs	
D575,323 S	8/2008	Jannard et al.	
D583,405 S *	12/2008	Chen	D16/326
D586,379 S *	2/2009	Thixton et al.	D16/325
D595,333 S *	6/2009	Markovitz et al.	D16/326
D599,839 S	9/2009	Rohrbach	
D604,756 S	11/2009	Shin et al.	
D604,758 S	11/2009	Rohrbach et al.	
D604,759 S	11/2009	Rohrbach et al.	
D606,578 S *	12/2009	Markovitz et al.	D16/320
D607,040 S	12/2009	Rohrbach	
D610,603 S	2/2010	Thixton	
D610,604 S	2/2010	Thixton	
D616,013 S	5/2010	Reed	
D616,919 S	6/2010	Thixton	
D620,970 S	8/2010	Thixton	
D629,830 S *	12/2010	Markovitz et al.	D16/326

* cited by examiner

Primary Examiner — Raphael Barkai

(74) *Attorney, Agent, or Firm* — Knobbe Martens Olson & Bear, LLP

(56) **References Cited**

U.S. PATENT DOCUMENTS

D192,885 S	5/1962	Pettito	
D210,418 S	3/1968	Bloch et al.	
D218,569 S	9/1970	McCracken	
D243,237 S	2/1977	Teufelhart	
D244,281 S *	5/1977	Teufelhart	D16/326
D268,683 S	4/1983	Tenny	
D420,035 S	2/2000	Hartman	
D488,499 S *	4/2004	Mage	D16/326
D534,573 S *	1/2007	Mage	D16/326
D545,348 S *	6/2007	Chen	D16/326
D550,272 S	9/2007	Markovitz	
D554,689 S	11/2007	Jannard et al.	
D561,811 S *	2/2008	Fox et al.	D16/325
D561,812 S *	2/2008	Fox et al.	D16/325
D561,813 S *	2/2008	Baden et al.	D16/325

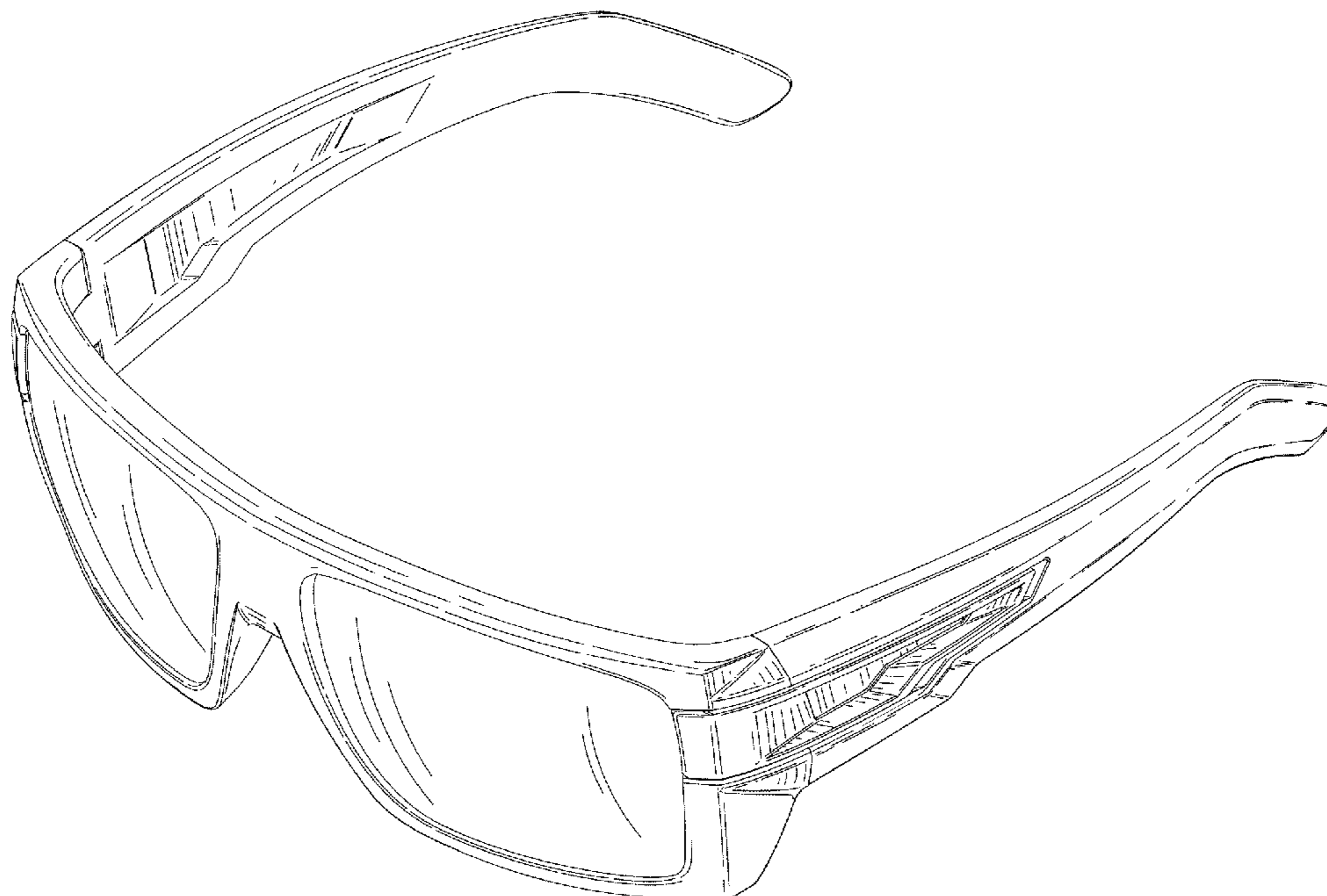
(57) **CLAIM**

The ornamental design for an eyeglass, as shown and described.

DESCRIPTION

FIG. 1 is a front perspective view of an eyeglass of the present invention;
FIG. 2 is a front elevational view of the eyeglass of FIG. 1;
FIG. 3 is a rear elevational view of the eyeglass of FIG. 1;
FIG. 4 is a left side elevational view of the eyeglass of FIG. 1, the right side elevational view being a minor image thereof;
FIG. 5 is a top plan view of the eyeglass of FIG. 1; and,
FIG. 6 is a bottom plan view of the eyeglass of FIG. 1.

1 Claim, 4 Drawing Sheets



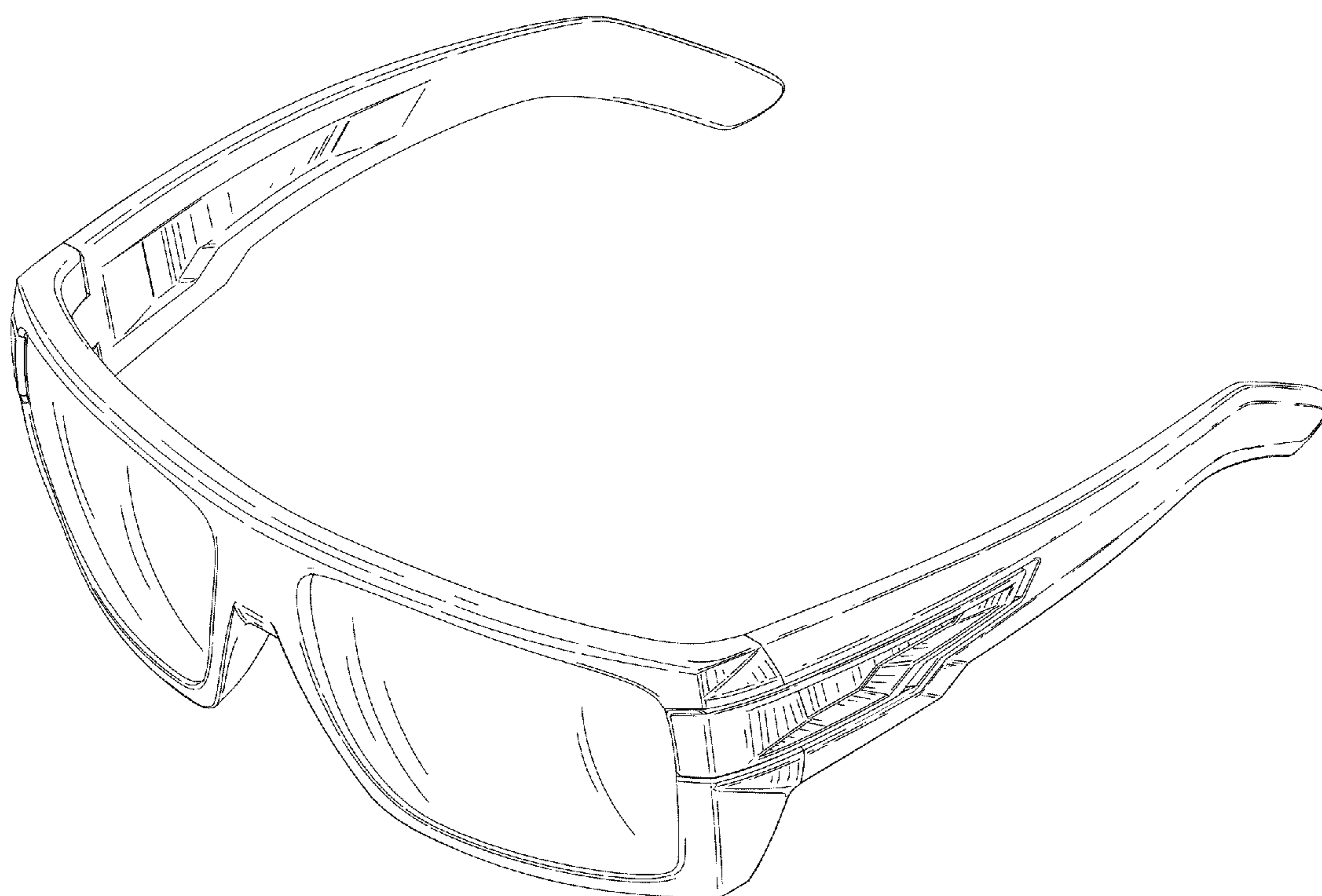


FIG. 1

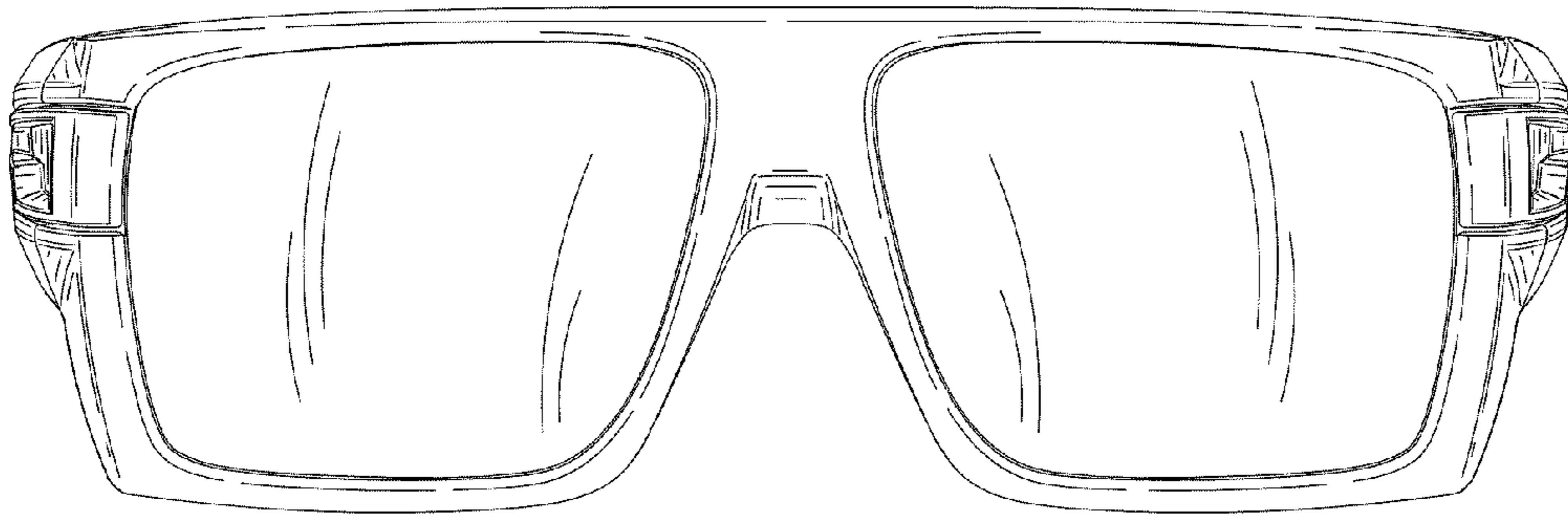


FIG. 2

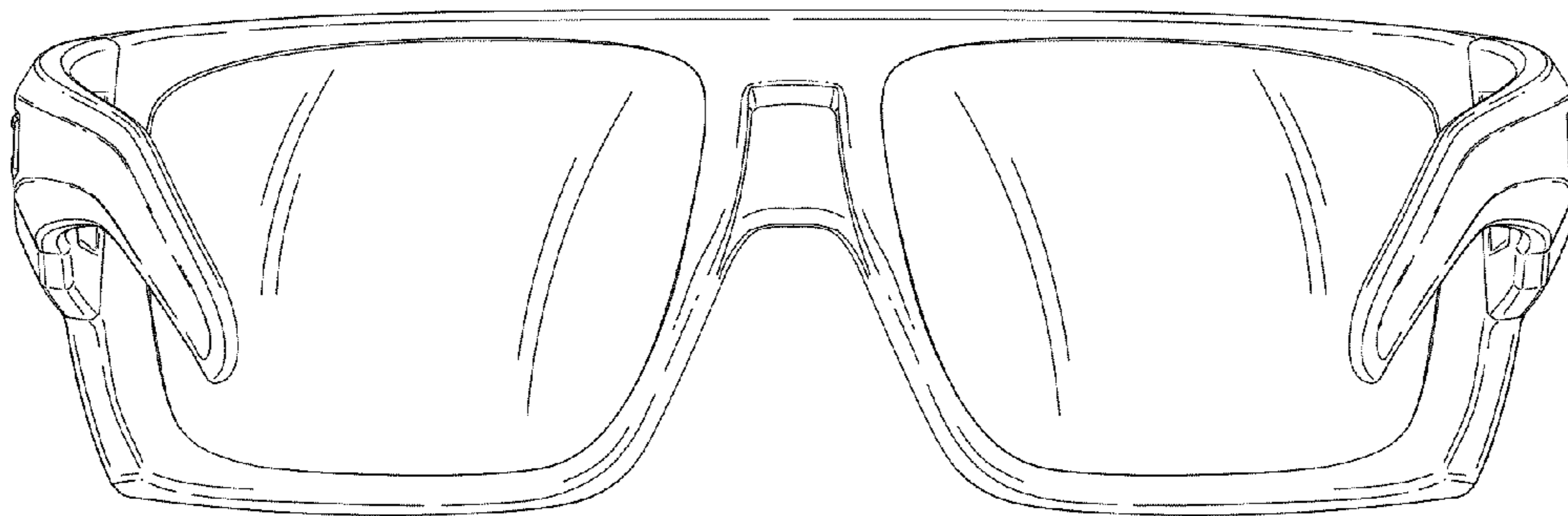


FIG. 3

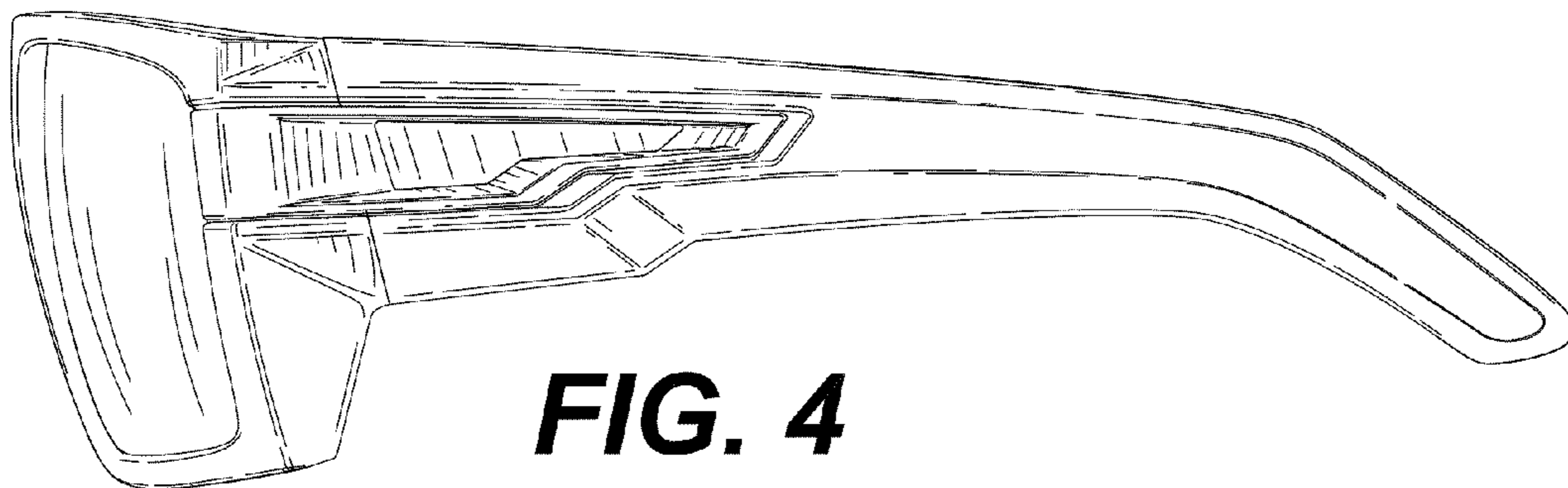


FIG. 4

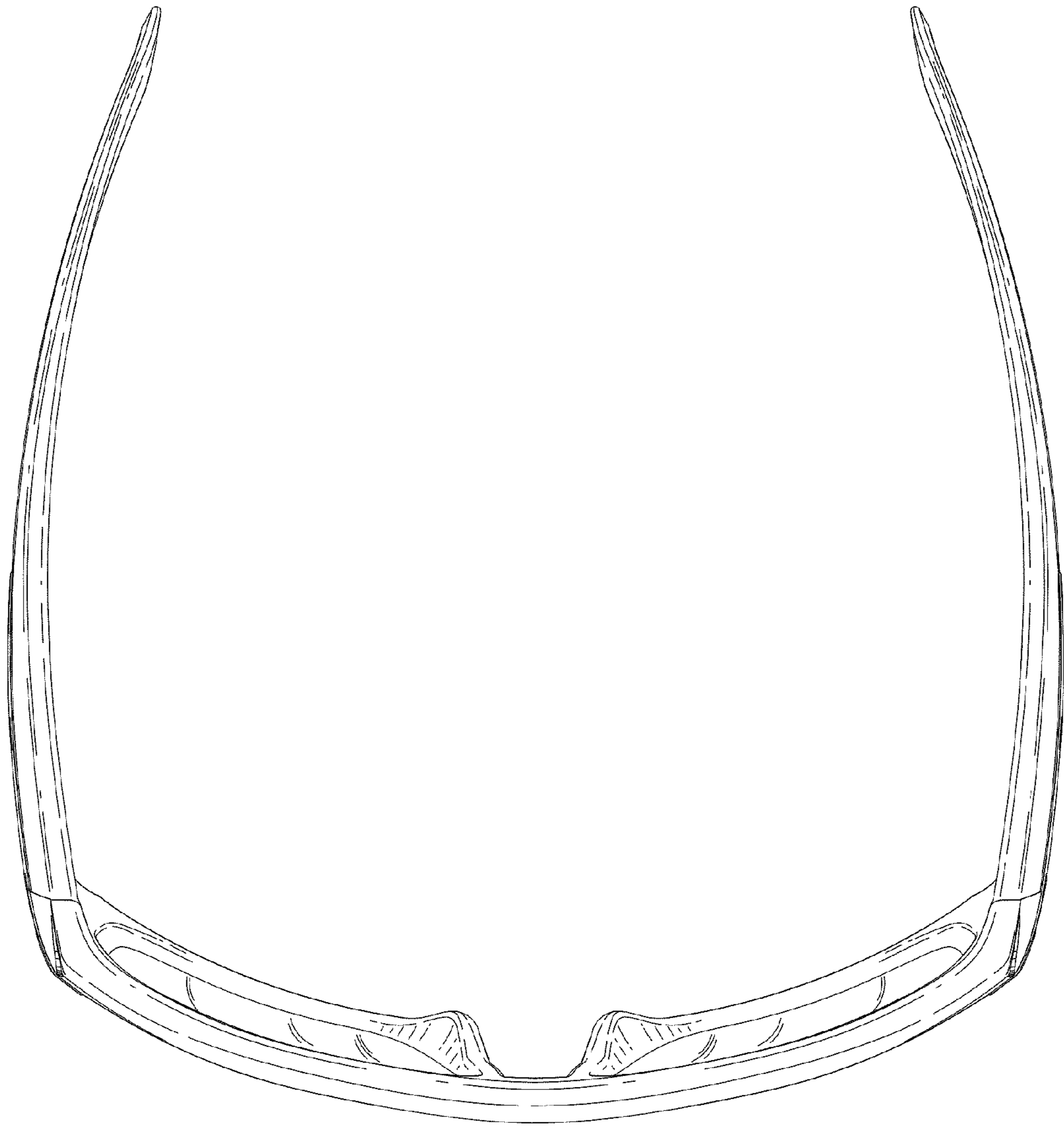


FIG. 5

FIG. 6

