



US00D648769S

(12) **United States Design Patent**  
**Tzeng**

(10) **Patent No.:** **US D648,769 S**

(45) **Date of Patent:** **\*\* Nov. 15, 2011**

(54) **MICRO PROJECTOR**

(75) Inventor: **Guan-Hua Tzeng**, Tu-Cheng (TW)

(73) Assignee: **Cheng Uei Precision Industry Co., Ltd.**, Tu-Cheng, Taipei Hsien (TW)

(\*\*) Term: **14 Years**

(21) Appl. No.: **29/384,521**

(22) Filed: **Jan. 31, 2011**

(51) **LOC (9) Cl.** ..... **16-02**

(52) **U.S. Cl.** ..... **D16/230; D16/225**

(58) **Field of Classification Search** ..... D16/205,  
D16/208, 213, 221, 225, 230-231, 229, 233-234;  
D21/514; D14/420, 426; 353/39, 115, 119,  
353/122

See application file for complete search history.

(56) **References Cited**

**U.S. PATENT DOCUMENTS**

D339,817	S	*	9/1993	Fukuda et al.	.....	D16/230
6,683,654	B1	*	1/2004	Haijima	.....	348/374
D500,070	S	*	12/2004	Yamaguchi et al.	.....	D16/230
6,994,438	B2	*	2/2006	Uehara et al.	.....	353/119
D522,037	S	*	5/2006	Inoue et al.	.....	D16/230
D571,390	S	*	6/2008	Yamada et al.	.....	D16/230
D626,986	S	*	11/2010	Chen	.....	D16/230
D638,872	S	*	5/2011	Kao	.....	D16/230

**OTHER PUBLICATIONS**

Mini projector Micro projector. Model: MP01. Copyright 1999-2011, 4 pages. [on line]. [Retrieved on Jul. 6, 2011]. Retrieved from Internet: <URL: <http://www.diytrade.com>>.\*

Earth Trek 90-805R Mini projector. Copyright 2006-2011. 3 pages. [On line]. [Retrieved on Jul. 6, 2011]. Retrieved from Internet: ,<URL: <http://www.itechnew.net>>.\*

Micro Projector (BK P10). 3 pages. [On line]. [Retrieved on Jul. 6, 2011]. Retrieved from Internet: <URL: <http://www.ad-promotion-gift.com>>.\*

Favi Micro Projector. Copyright 2010. 3 pages. [on line]. [Retrieved on Jul. 6, 2011]. Retrieved from Internet: <URL: <http://www.image-acquire.com>>.\*

\* cited by examiner

*Primary Examiner* — Wan Laymon

(74) *Attorney, Agent, or Firm* — Cheng-Ju Chiang

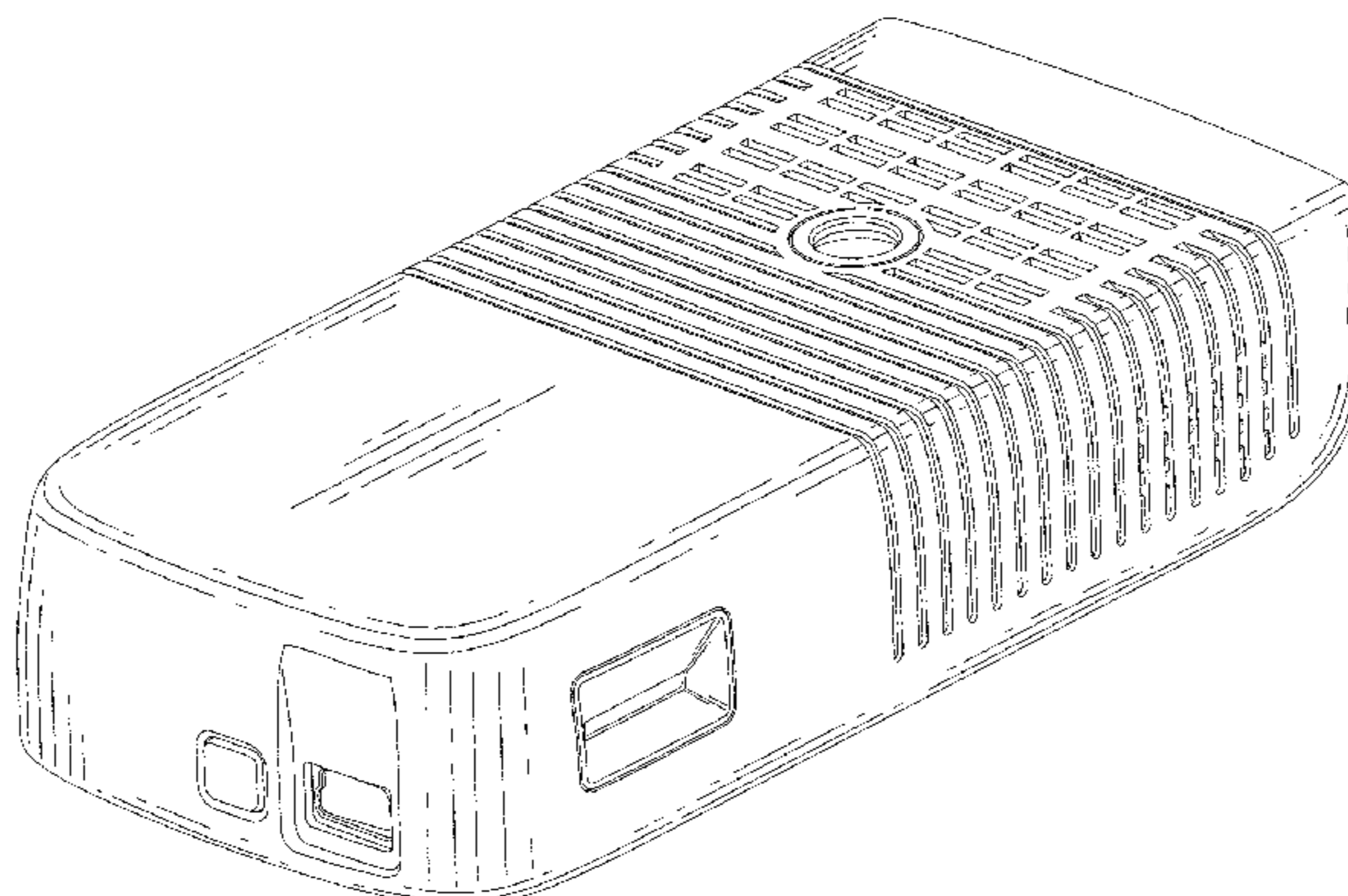
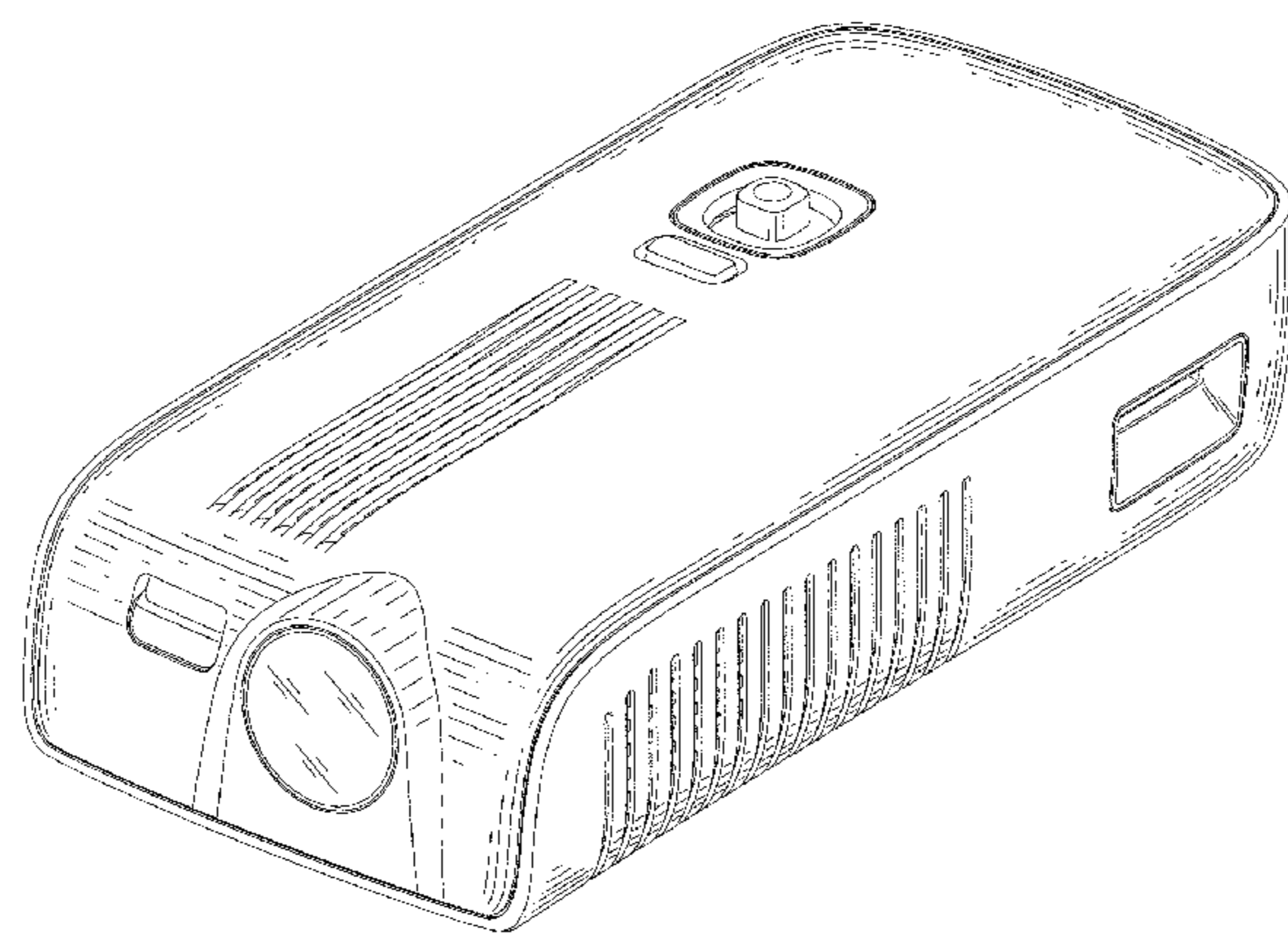
(57) **CLAIM**

The ornamental design for a micro projector, as shown and described.

**DESCRIPTION**

FIG. 1 is a top, front and right side perspective view of a micro projector showing my new design;  
FIG. 2 is a front elevational view thereof;  
FIG. 3 is a rear elevational view thereof;  
FIG. 4 is a left side elevational view thereof;  
FIG. 5 is a right side elevational view thereof;  
FIG. 6 is a top plan view thereof;  
FIG. 7 is a bottom plan view thereof; and,  
FIG. 8 is a bottom, rear and right side perspective view thereof.

**1 Claim, 8 Drawing Sheets**



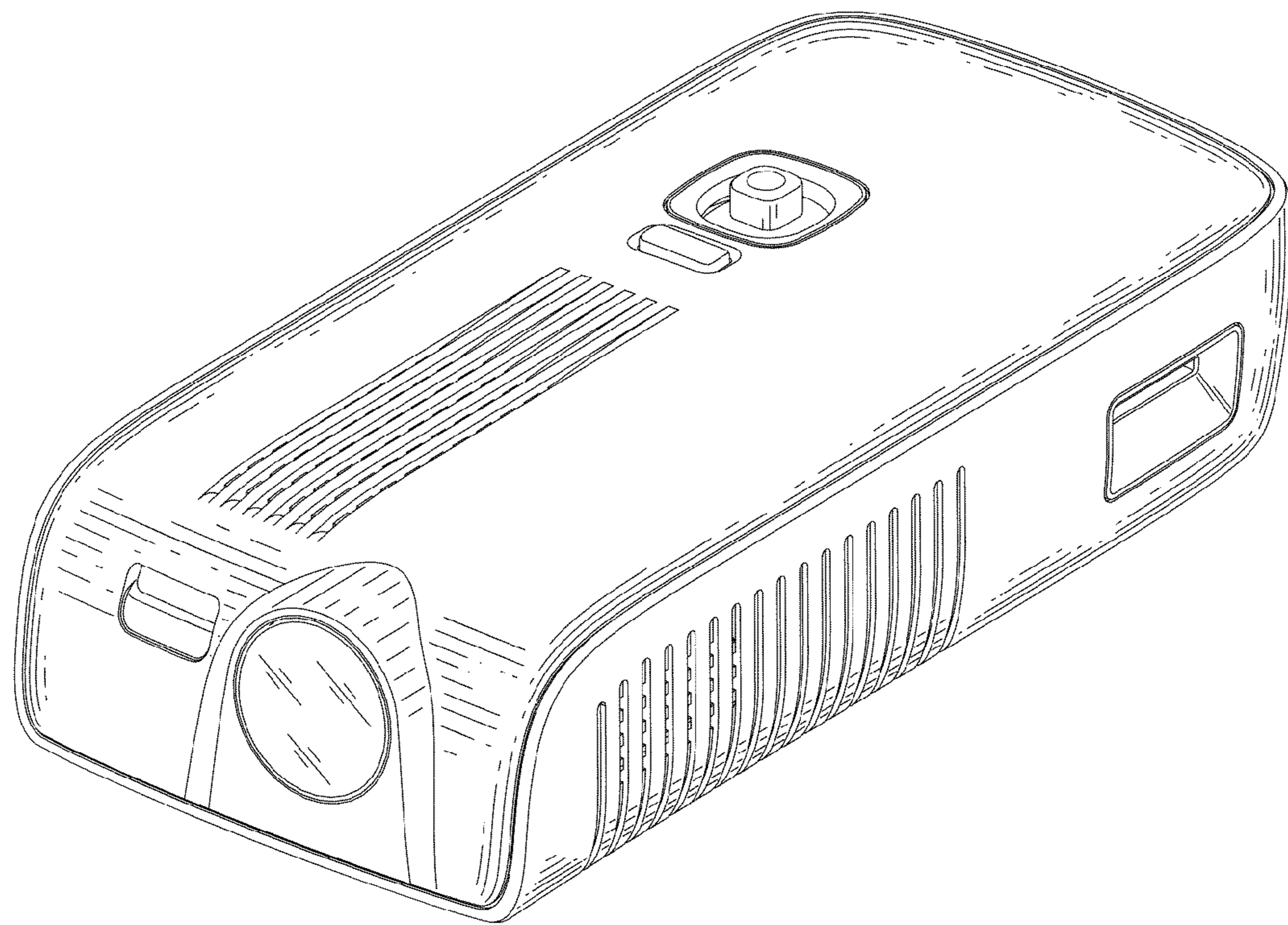


FIG. 1

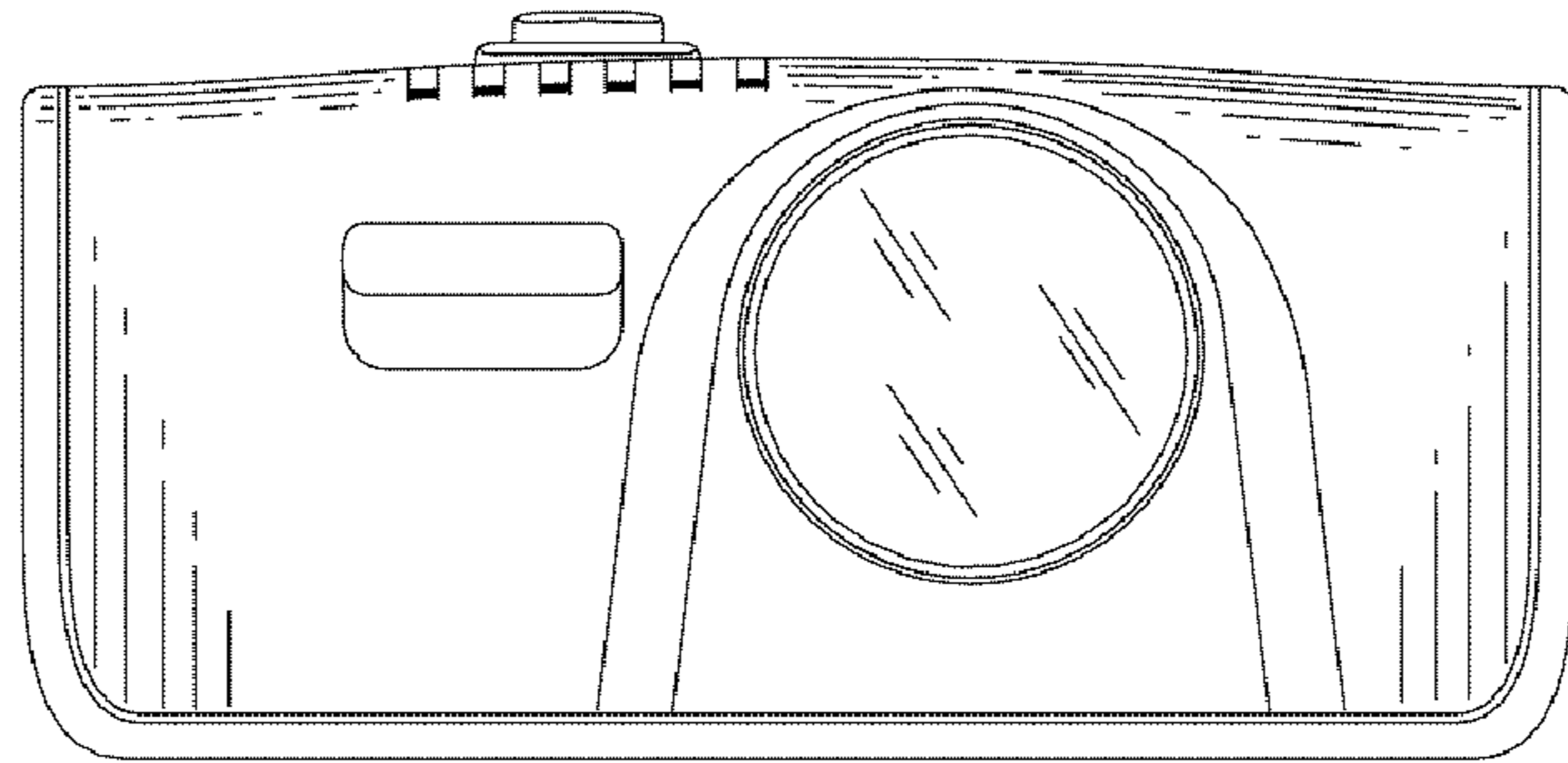


FIG. 2

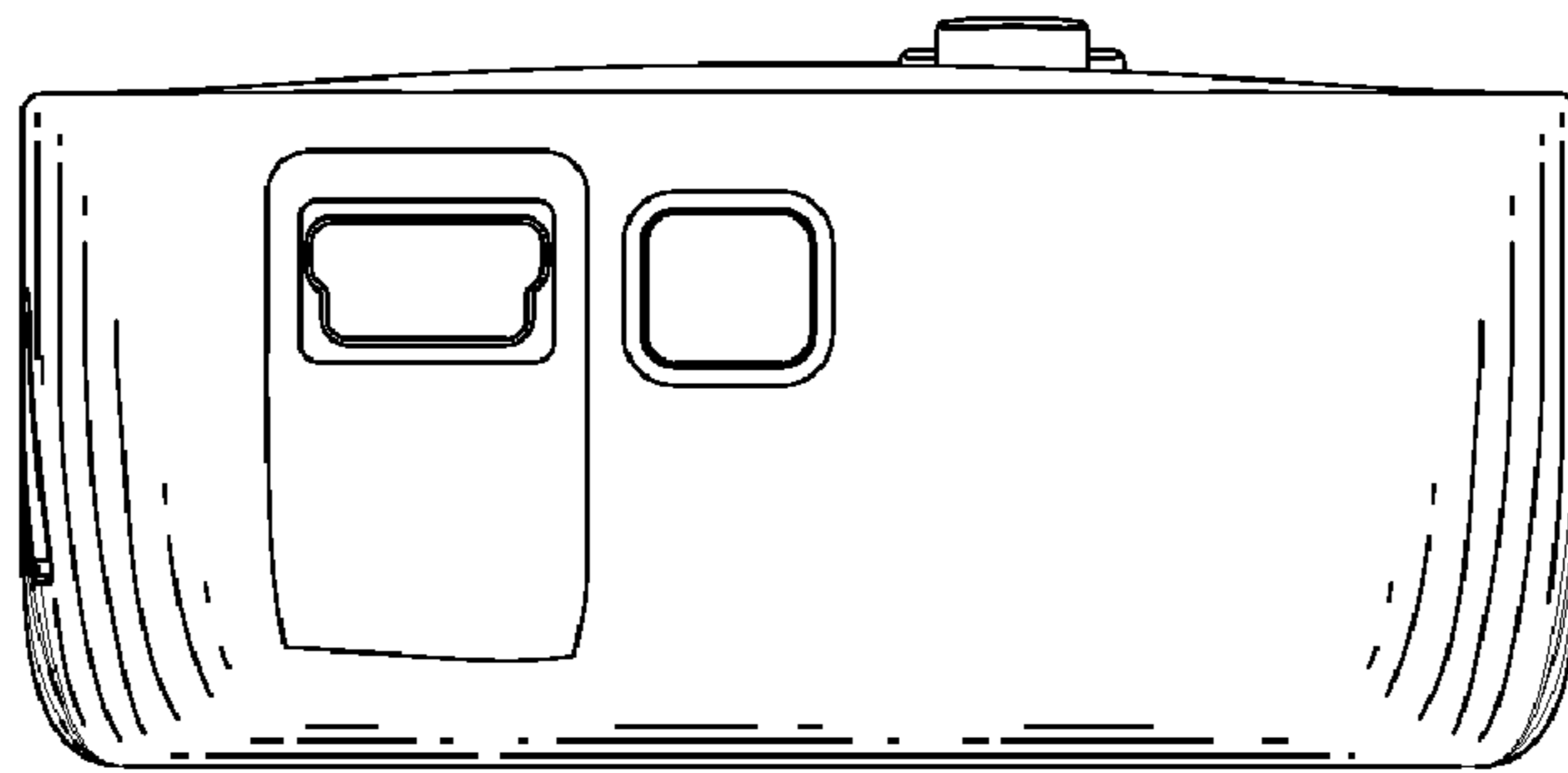


FIG. 3

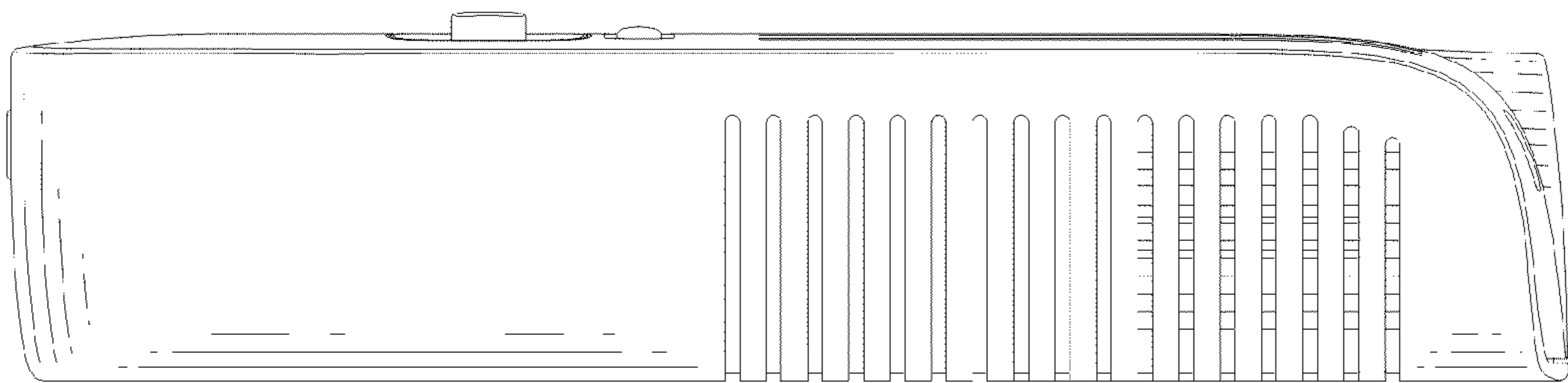


FIG. 4

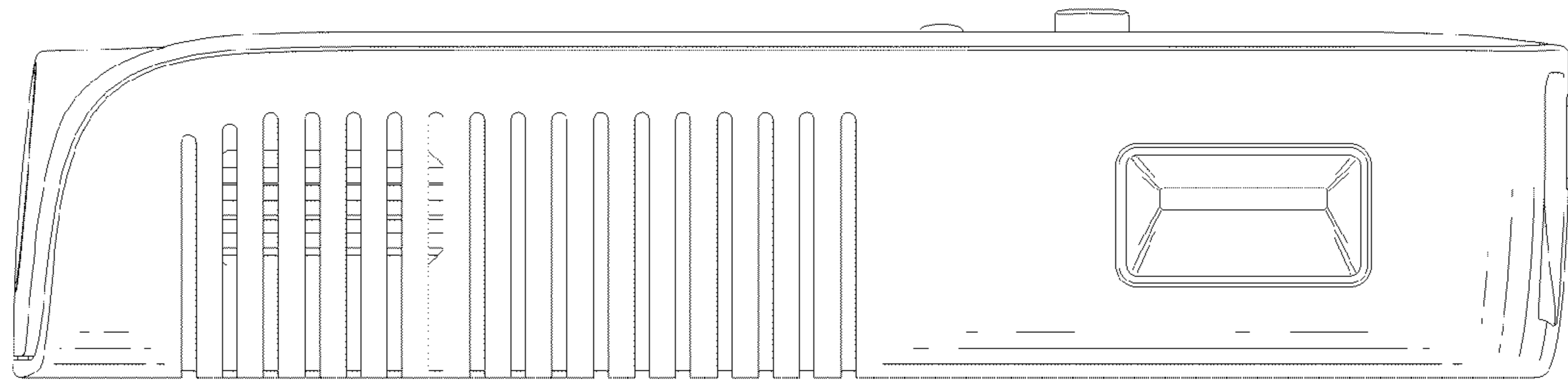


FIG. 5

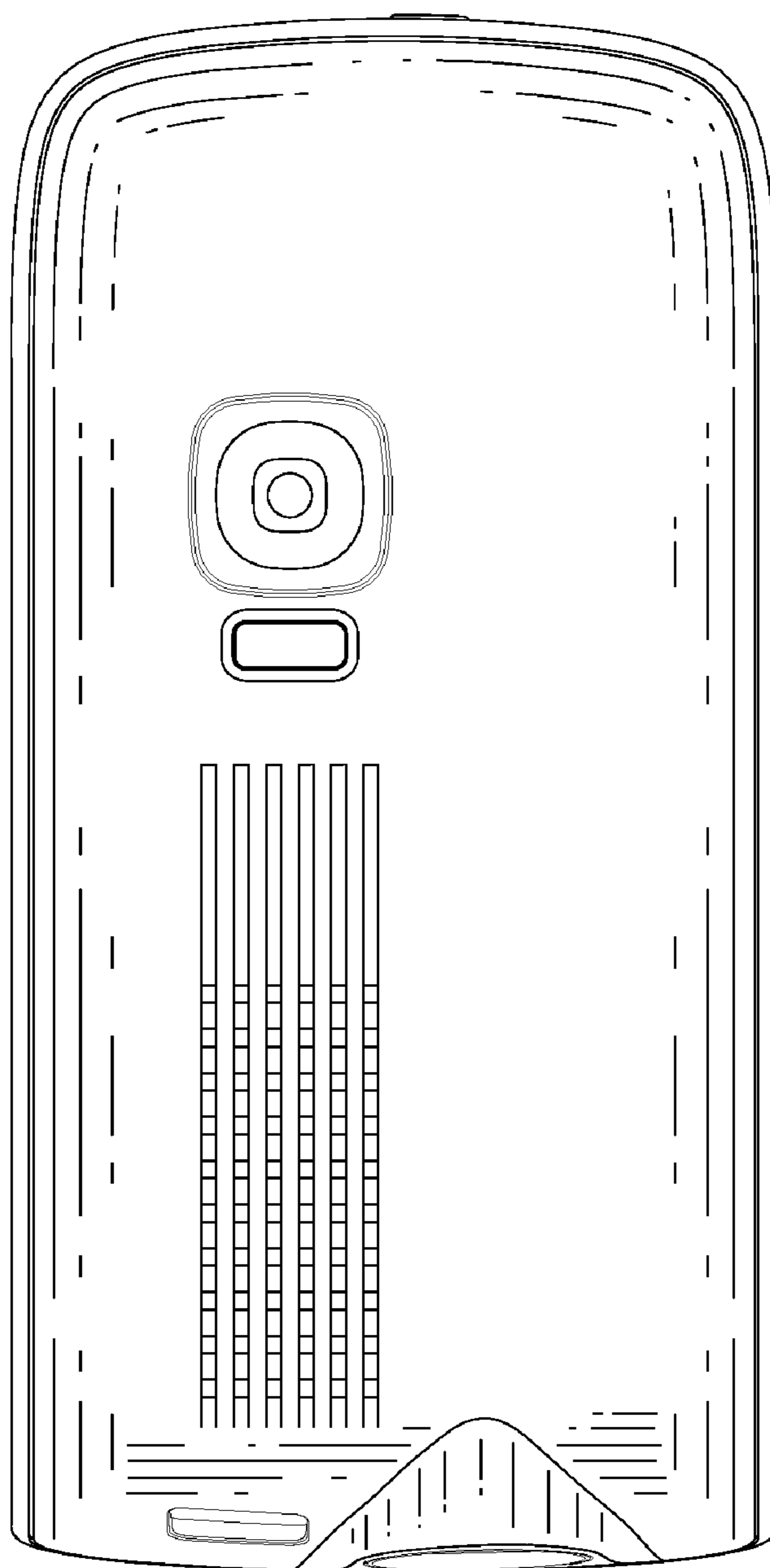


FIG. 6

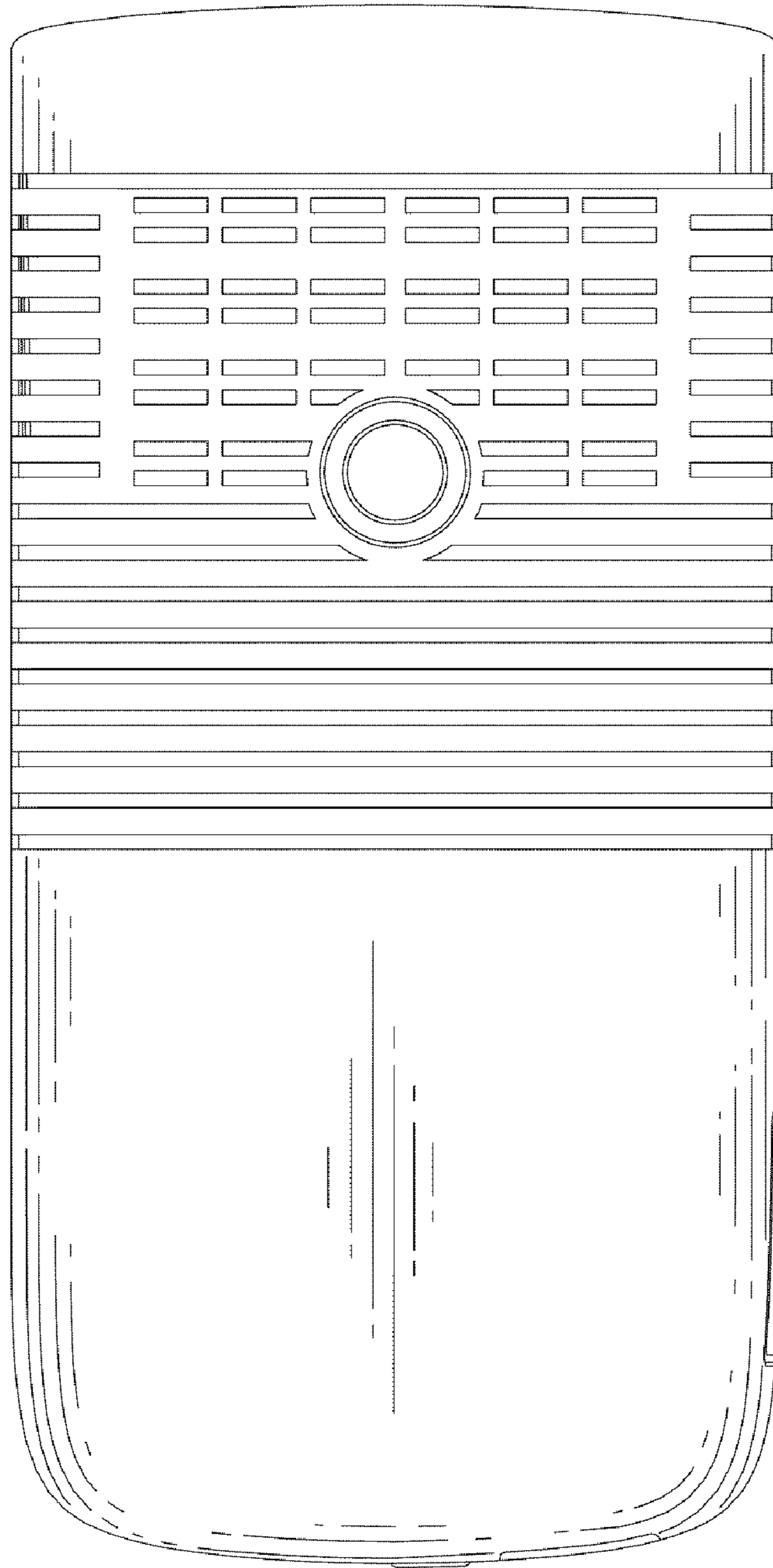


FIG. 7



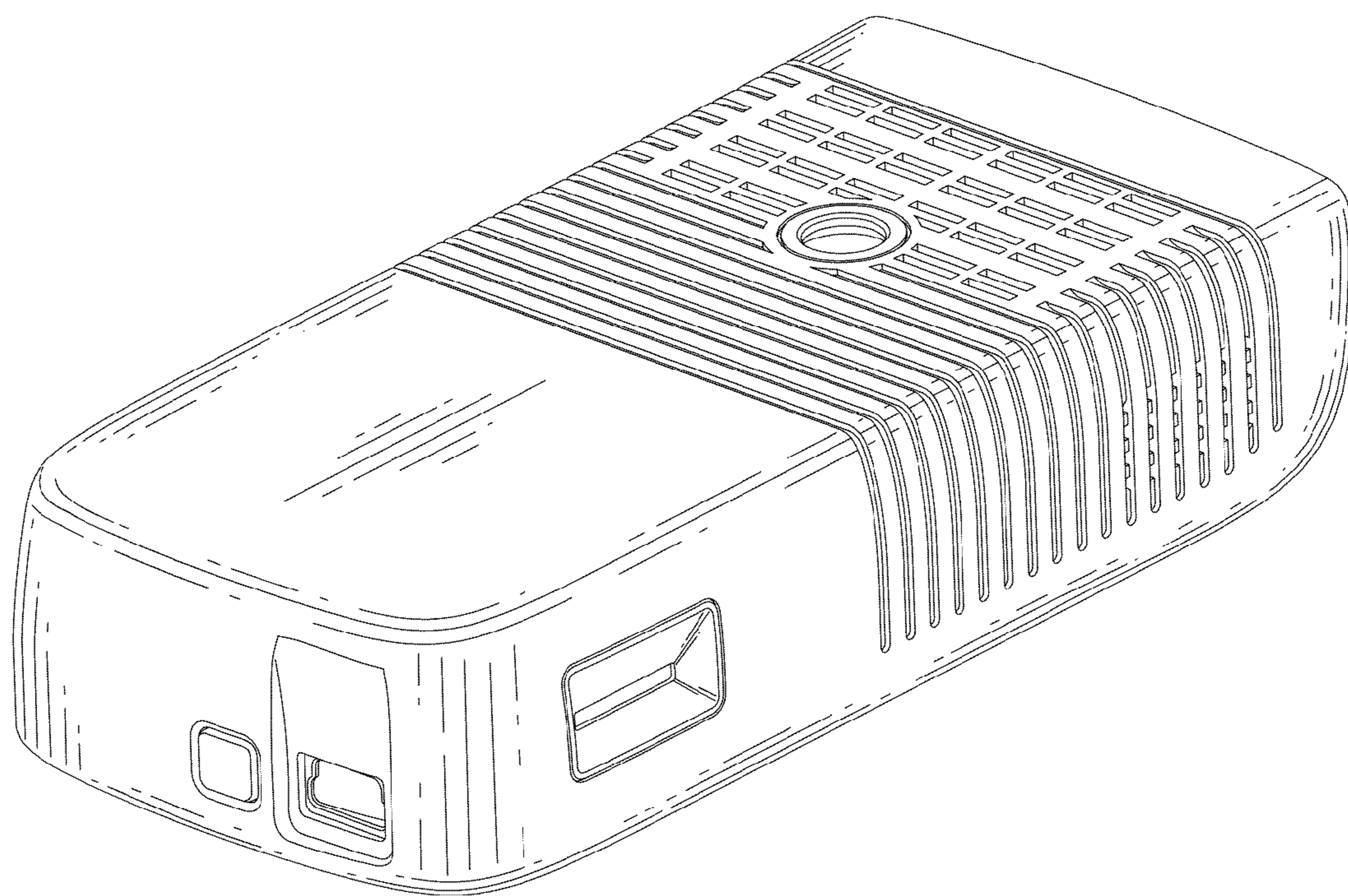


FIG. 8