



US00D648768S

(12) **United States Design Patent**  
**Sakamoto**

(10) **Patent No.:** **US D648,768 S**

(45) **Date of Patent:** **\*\* Nov. 15, 2011**

(54) **VIDEO PROJECTOR**

(75) Inventor: **Harumi Sakamoto**, Osaka (JP)

(73) Assignee: **Sharp Kabushiki Kasha**, Osaka (JP)

(\*\*) Term: **14 Years**

(21) Appl. No.: **29/383,883**

(22) Filed: **Jan. 24, 2011**

(51) **LOC (9) Cl.** ..... **16-02**

(52) **U.S. Cl.** ..... **D16/230; D16/225**

(58) **Field of Classification Search** ..... D16/200,  
D16/208, 221, 225, 230-231, 234; D21/514;  
353/115, 119, 122

See application file for complete search history.

D476,024 S	6/2003	Shimamoto	
D506,770 S	6/2005	Saeki et al.	
D515,127 S *	2/2006	Schoenert et al.	D16/230
D552,657 S *	10/2007	Oota	D16/230
D555,184 S *	11/2007	Rodriguez et al.	D16/230
D566,160 S	4/2008	Shimamoto	
D574,877 S *	8/2008	Schoenert et al.	D16/230
D577,051 S	9/2008	Yamamizu	
D616,010 S *	5/2010	Song et al.	D16/230

**OTHER PUBLICATIONS**

Google Image Result fro <http://scllick.net/cool%20gadgets/funny-newest-high-tech-top-gadget-gifts/23/coolest-best/latest-new-fun-tech-gadgets-pla...> 1 page. Viewed Jun. 23, 2011.\*

\* cited by examiner

*Primary Examiner* — Wan Laymon

(74) *Attorney, Agent, or Firm* — Nixon & Vanderhye, P.C.

(56) **References Cited**

**U.S. PATENT DOCUMENTS**

D343,850 S	2/1994	Saeki et al.	
D355,205 S	2/1995	Yokoi	
D356,103 S	3/1995	Saeki et al.	
D364,416 S	11/1995	Saeki et al.	
D365,587 S	12/1995	Saeki et al.	
D387,795 S	12/1997	Sakamoto	
D388,111 S	12/1997	Iida	
D391,592 S	3/1998	Sakamoto et al.	
D398,321 S	9/1998	Iida	
D398,622 S	9/1998	Saeki et al.	
D412,926 S	8/1999	Saeki et al.	
D419,172 S	1/2000	Saeki et al.	
D428,619 S	7/2000	Saeki et al.	
D434,430 S	11/2000	Saeki et al.	
D441,387 S	5/2001	Saeki et al.	
D449,060 S	10/2001	Saeki et al.	
D450,077 S *	11/2001	Isono	D16/230
D454,360 S	3/2002	Shimizu et al.	
D454,361 S	3/2002	Saeki et al.	
D457,179 S	5/2002	Saeki et al.	
D473,252 S	4/2003	Shimamoto et al.	
D473,253 S	4/2003	Shimamoto	

(57) **CLAIM**

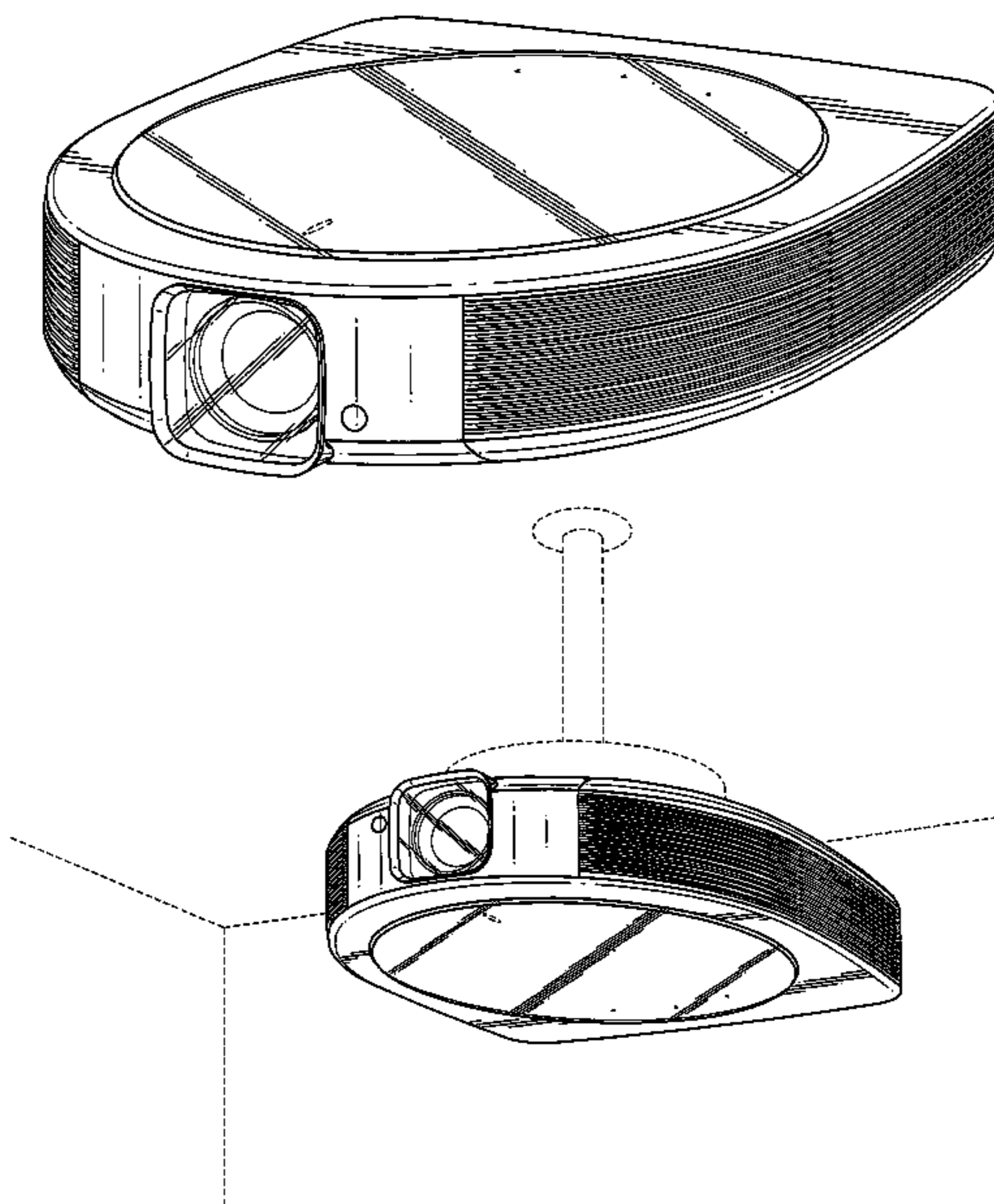
The ornamental design for a video projector, as shown and described.

**DESCRIPTION**

FIG. 1 is a top, right front perspective view of a video projector in accordance with my new design;  
FIG. 2 is a front elevation view thereof;  
FIG. 3 is a rear elevation view thereof;  
FIG. 4 is a reduced scale top plan view thereof;  
FIG. 5 is a reduced bottom plan view thereof;  
FIG. 6 is a right side elevation view thereof;  
FIG. 7 is a left side elevation view thereof; and,  
FIG. 8 is reduced reference view showing the video projector in one possible state of use.

The broken lines showing portions of a video projector are included for the purpose of illustrating environmental structure and form no part of the claimed design.

**1 Claim, 6 Drawing Sheets**



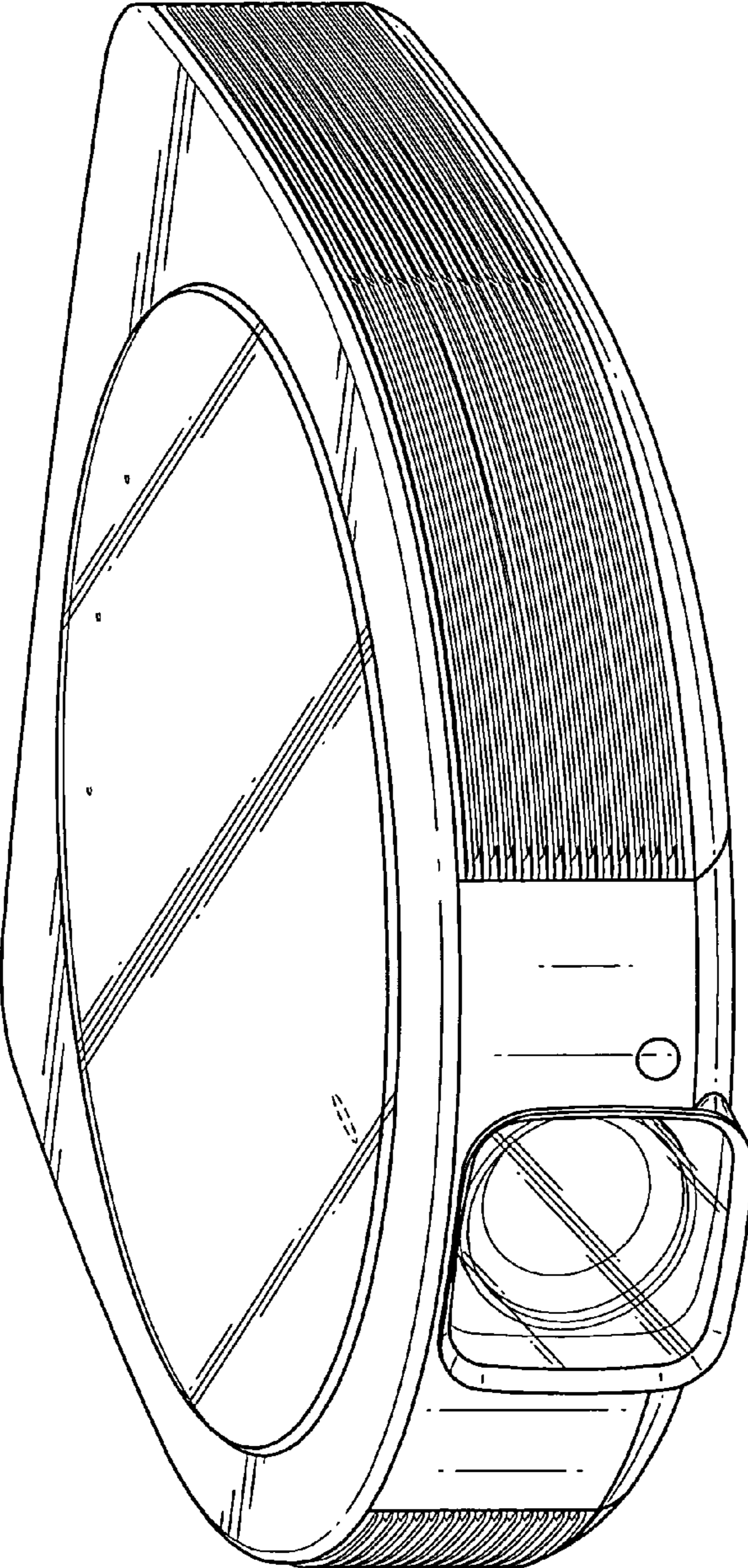


FIG. 1

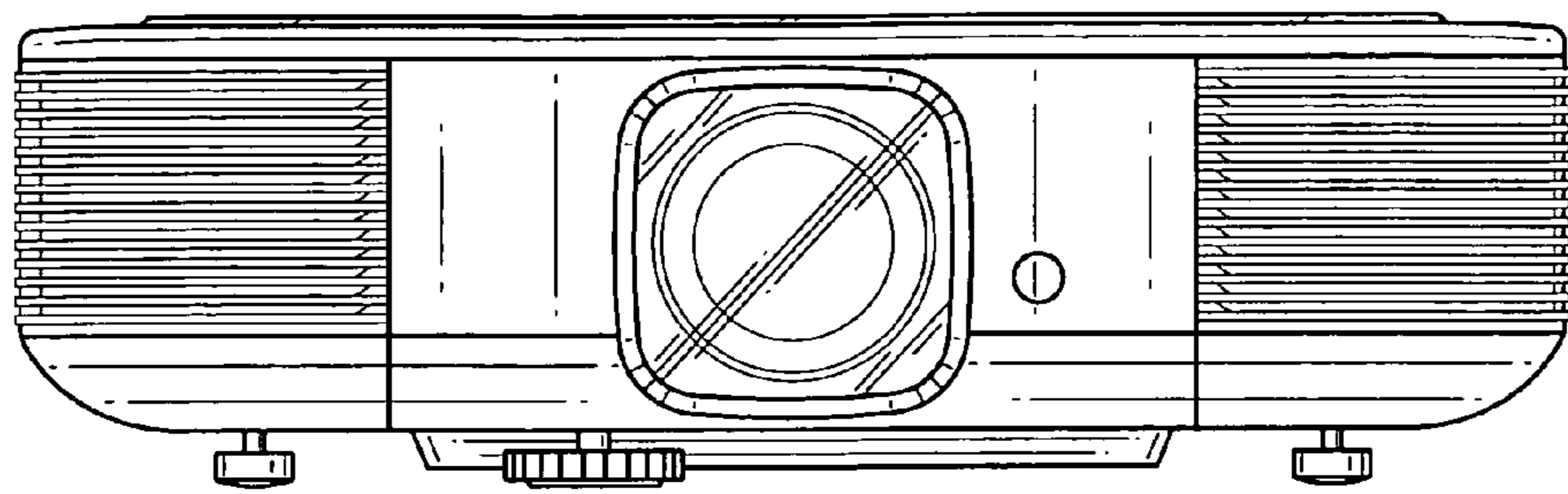


FIG. 2

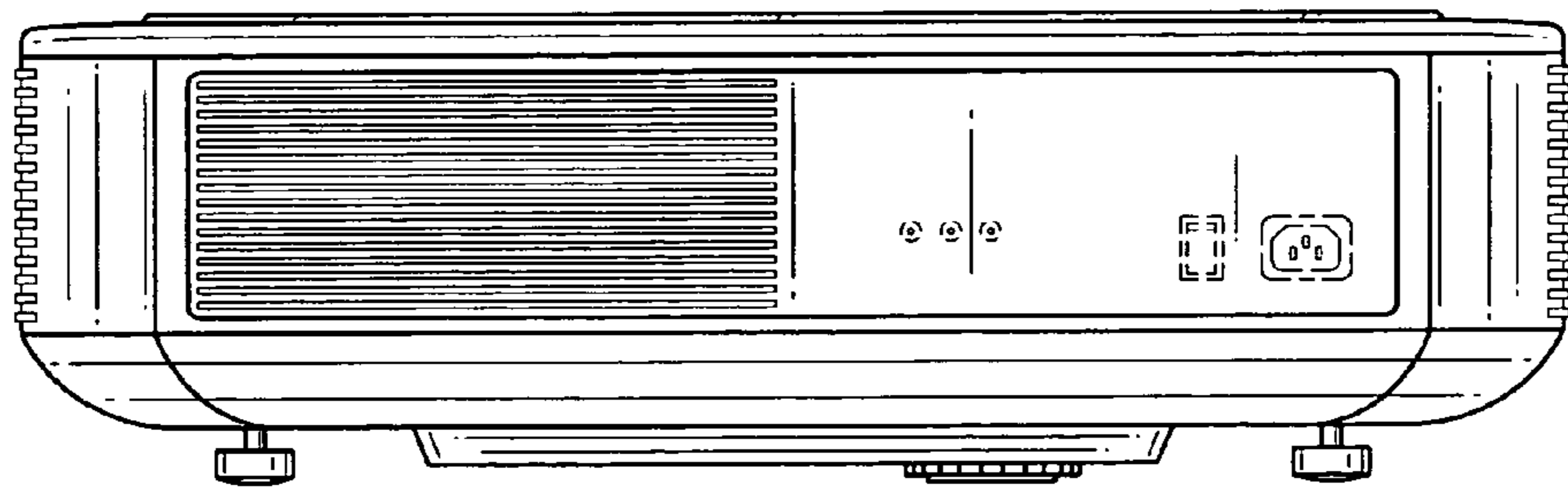


FIG. 3

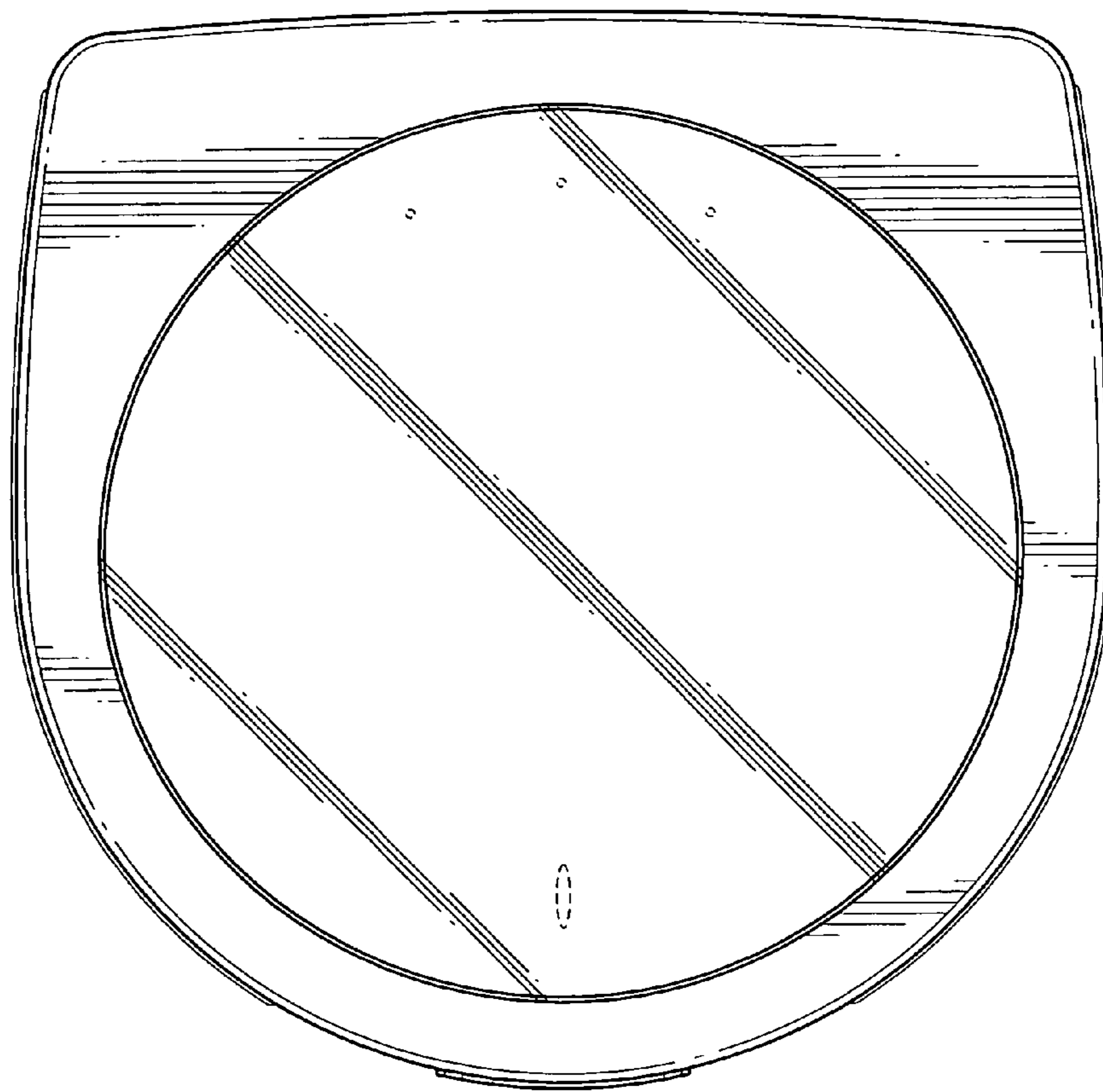


FIG. 4

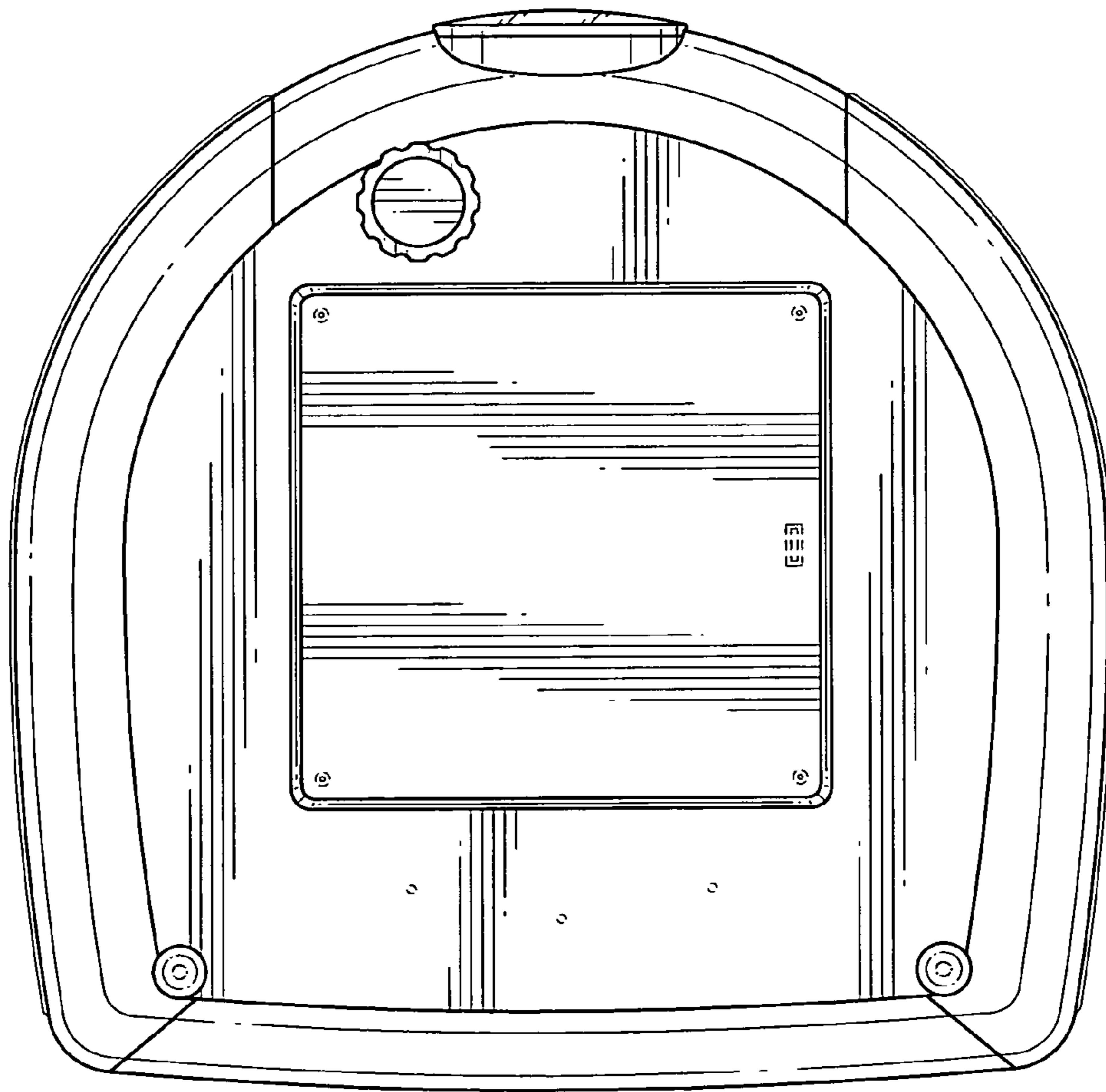


FIG. 5

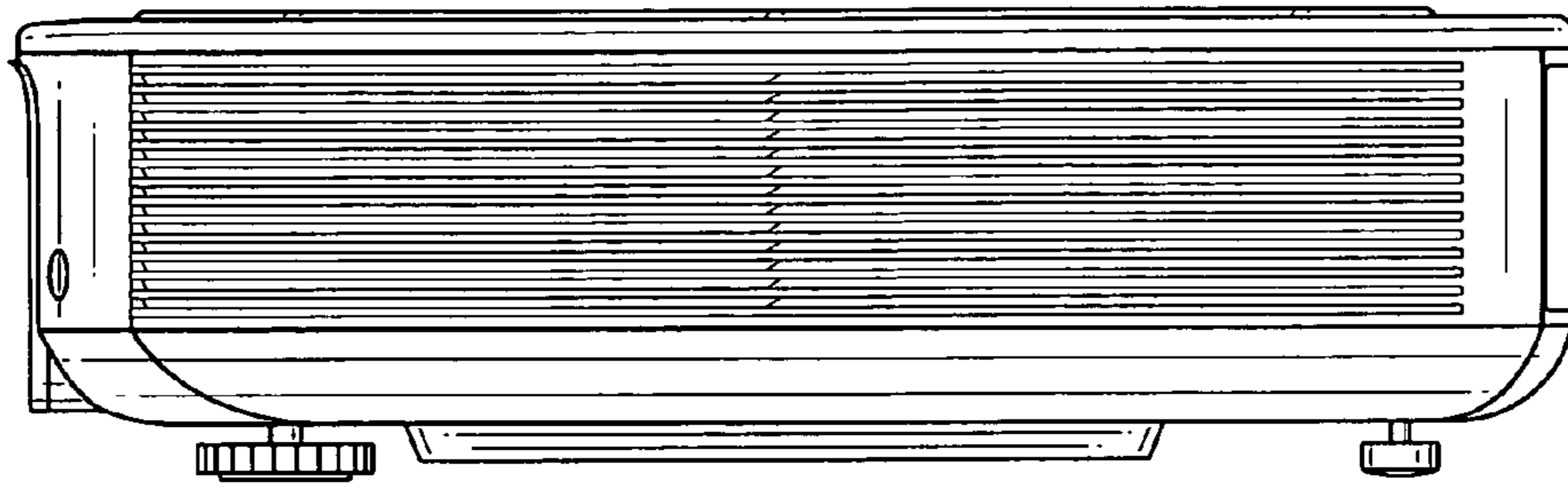


FIG. 6



FIG. 7

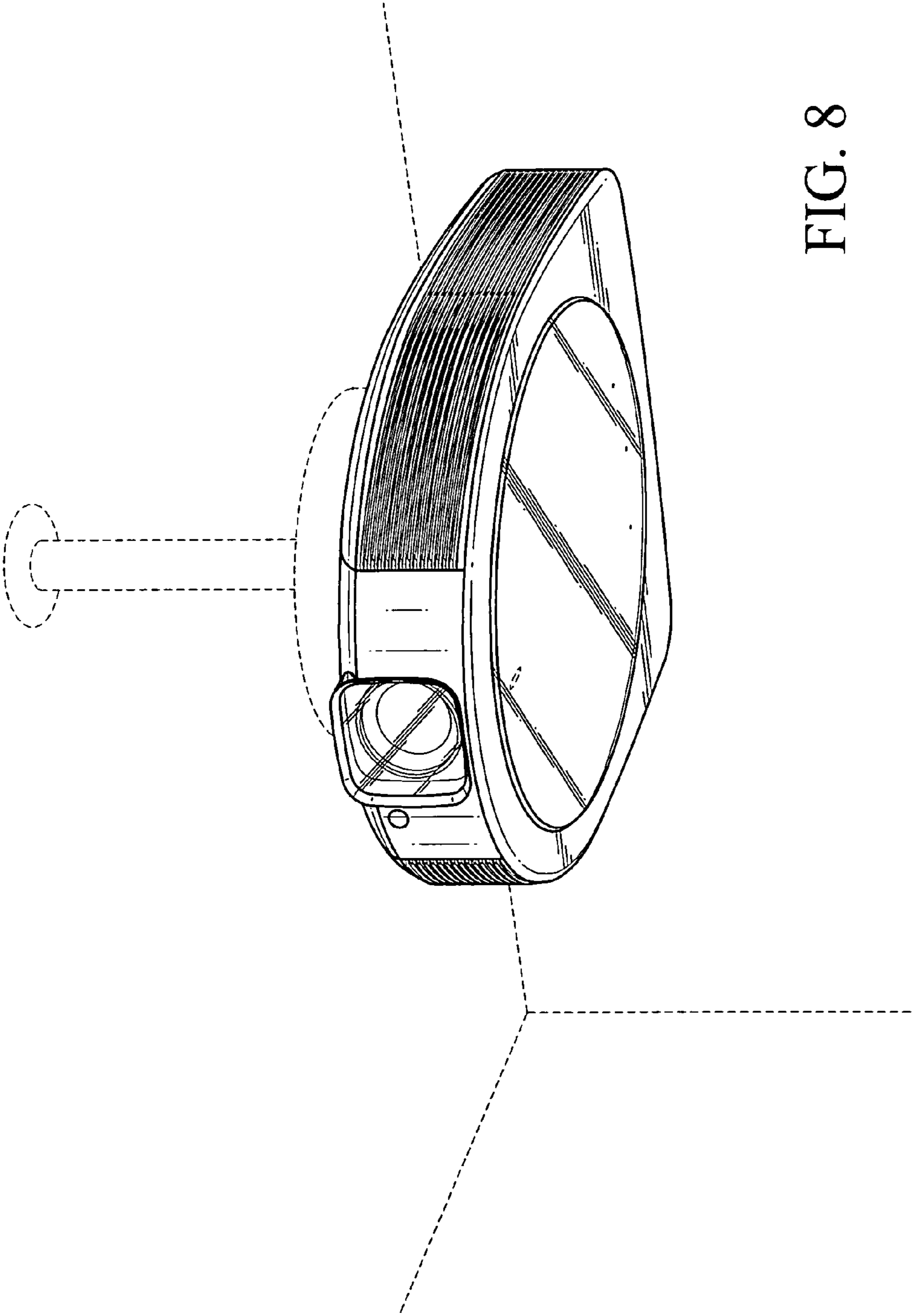


FIG. 8