



US00D648765S

(12) **United States Design Patent**
Tsukamoto

(10) **Patent No.:** **US D648,765 S**

(45) **Date of Patent:** **** Nov. 15, 2011**

(54) **PROJECTOR-EQUIPPED DIGITAL CAMERA**

(75) Inventor: **Chihiro Tsukamoto**, Tokyo (JP)

(73) Assignee: **Nikon Corporation** (JP)

(**) Term: **14 Years**

(21) Appl. No.: **29/385,054**

(22) Filed: **Feb. 8, 2011**

(30) **Foreign Application Priority Data**

Aug. 11, 2010 (JP) 2010-019607

(51) **LOC (9) Cl.** **16-01**

(52) **U.S. Cl.** **D16/202**

(58) **Field of Classification Search** D16/200–204,
D16/208, 218, 219; 348/373–376; 358/909.1;
396/535–541

See application file for complete search history.

(56) **References Cited**

U.S. PATENT DOCUMENTS

| | | | | |
|--------------|--------|-----------------|-------|---------|
| D566,153 S * | 4/2008 | Katsuraku | | D16/202 |
| D570,889 S * | 6/2008 | Nakajima | | D16/202 |
| D585,084 S * | 1/2009 | Yamamoto et al. | | D16/202 |
| D610,179 S * | 2/2010 | Tajima | | D16/202 |
| D610,182 S * | 2/2010 | Ohta | | D16/202 |

| | | | | |
|----------------|--------|--------------|-------|------------|
| 7,675,478 B2 * | 3/2010 | Yamazaki | | 358/909.1 |
| 7,778,014 B2 * | 8/2010 | Saiki et al. | | 361/679.01 |
| D635,604 S * | 4/2011 | Sul et al. | | D16/202 |

* cited by examiner

Primary Examiner — Adir Aronovich

(74) *Attorney, Agent, or Firm* — Schwegman, Lundberg & Woessner, P.A.

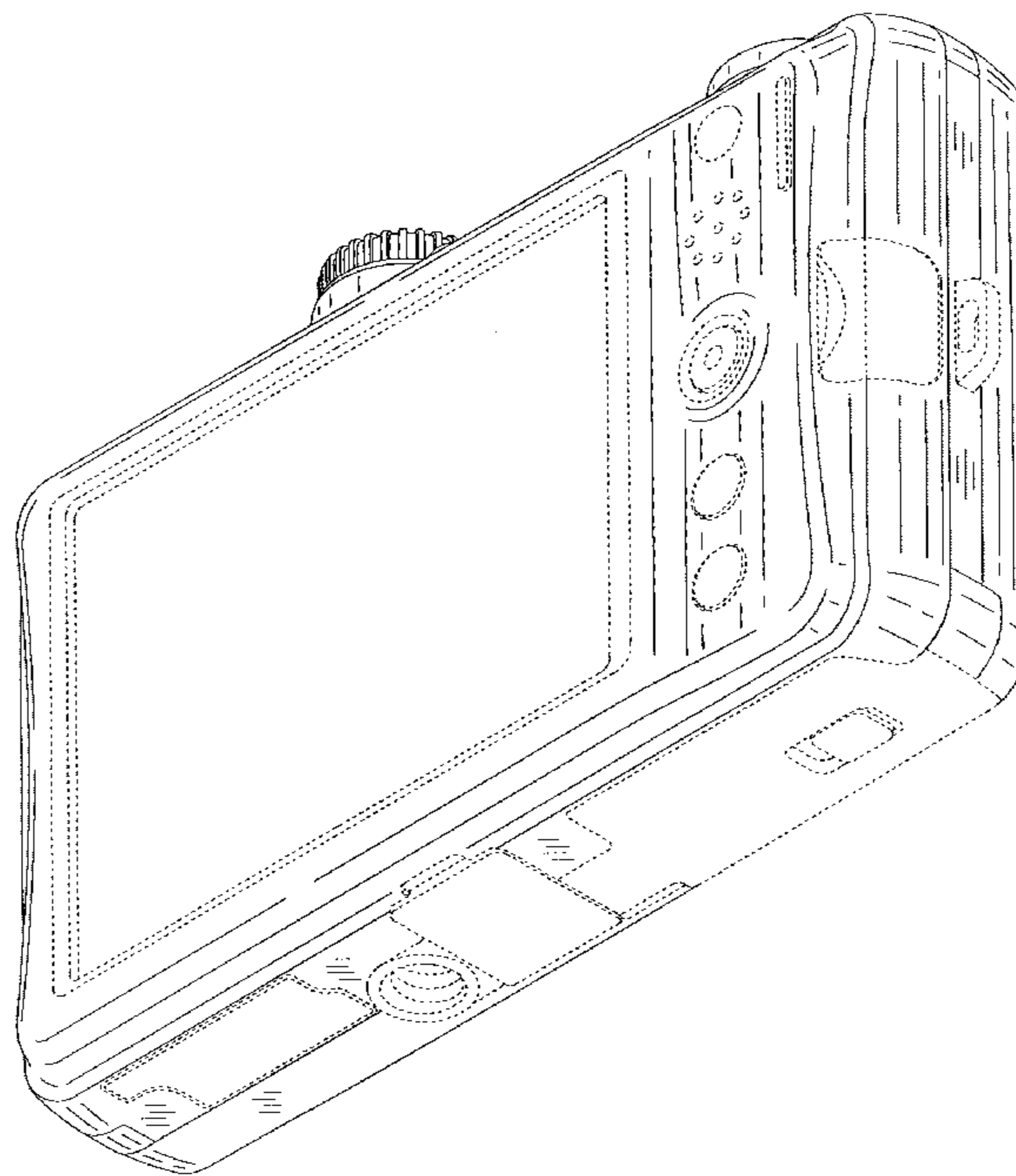
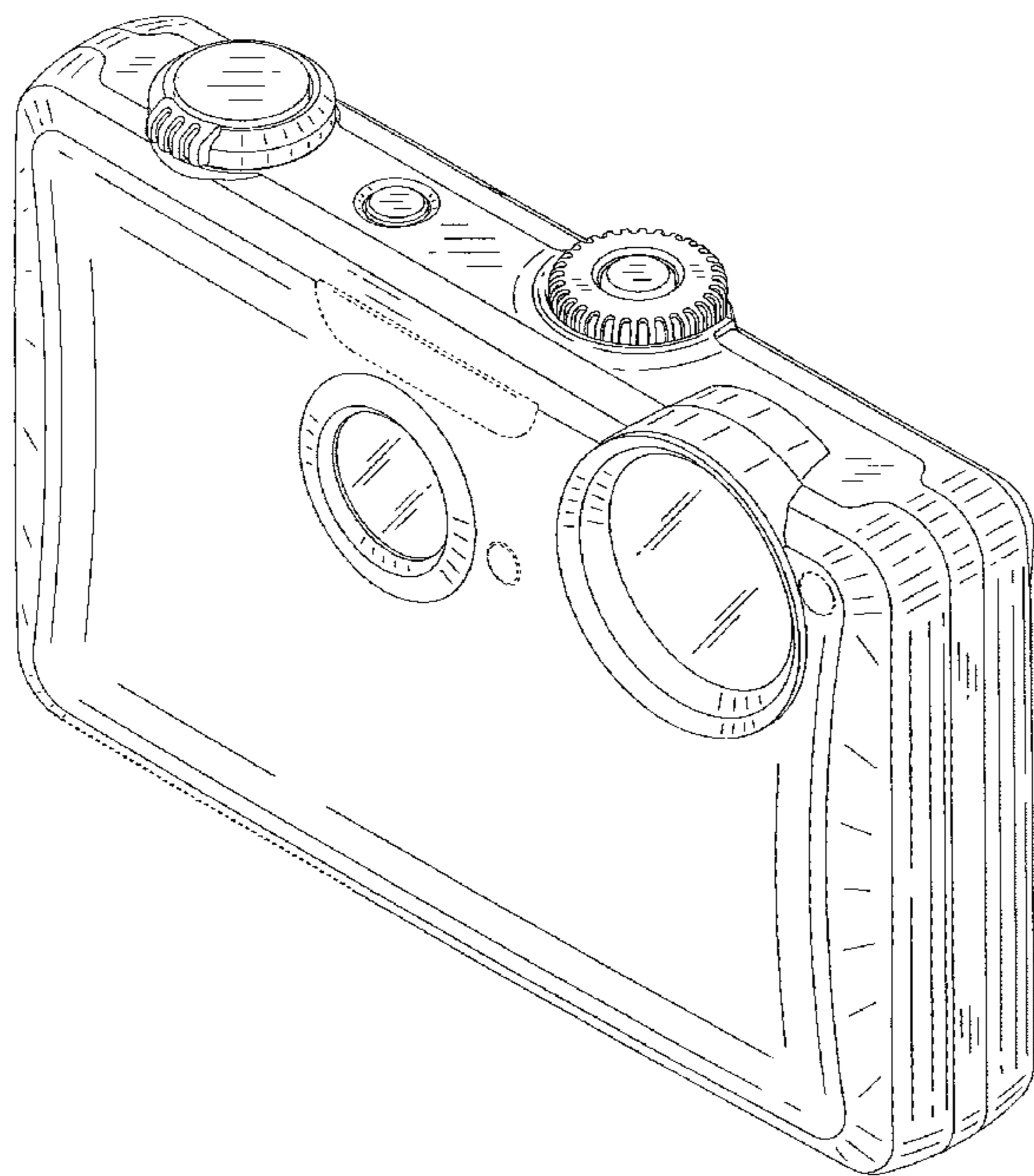
(57) **CLAIM**

The ornamental design for a projector-equipped digital camera, as shown and described.

DESCRIPTION

FIG. 1 is a front, top and right side perspective view of projector-equipped digital camera showing my new design; FIG. 2 is a rear, bottom and left side perspective view thereof; FIG. 3 is a front elevational view thereof; FIG. 4 is a rear elevational view thereof; FIG. 5 is a top plan view thereof; FIG. 6 is a bottom plan view thereof; FIG. 7 is a right side elevational view thereof; FIG. 8 is a left side elevational view thereof; and, FIG. 9 is a cross-sectional view taken along line 9-9 in FIG. 3, wherein the internal structure is omitted. The broken lines are shown for illustrative purposes only and form no part of the claimed design.

1 Claim, 6 Drawing Sheets



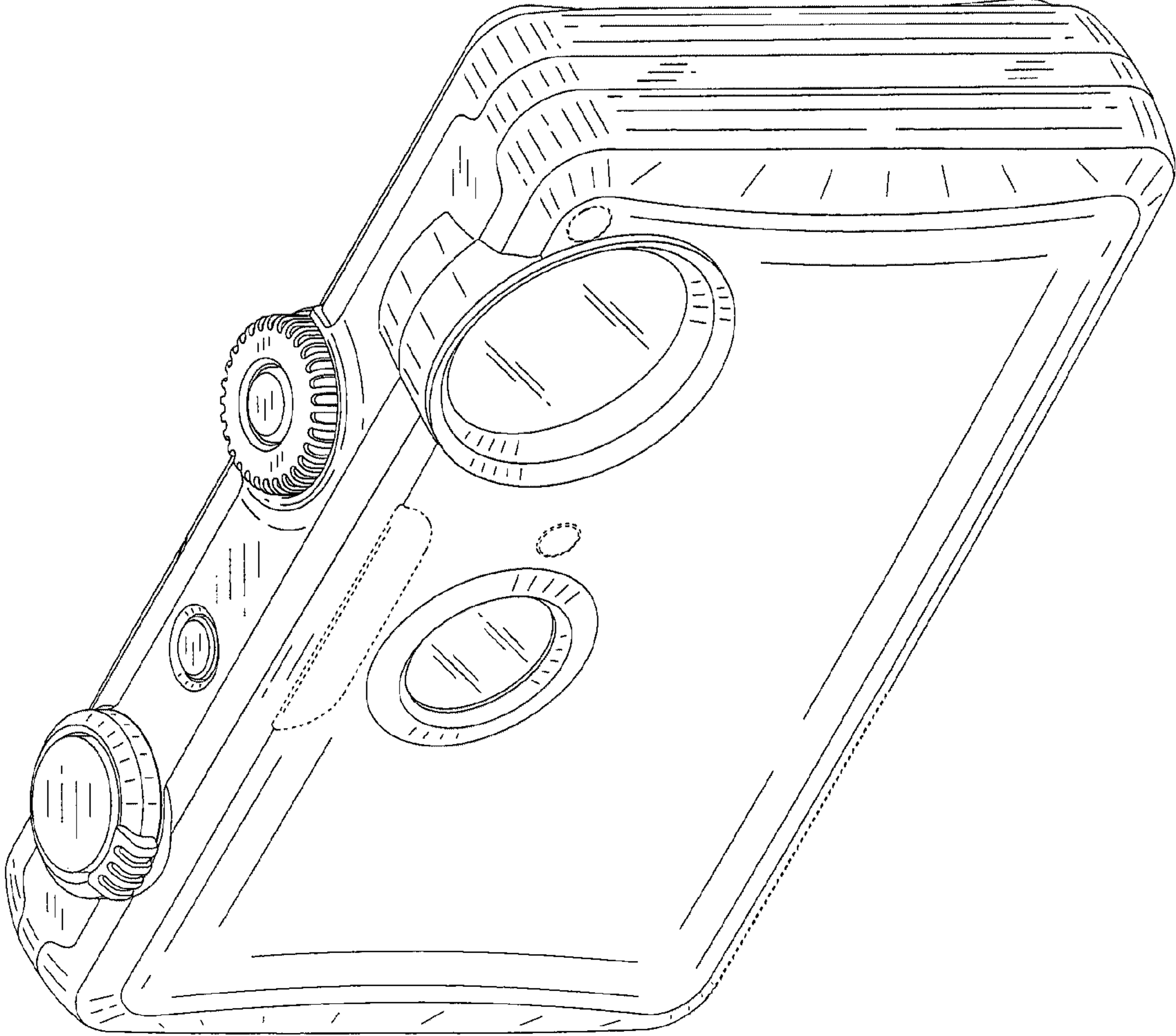


Fig. 1

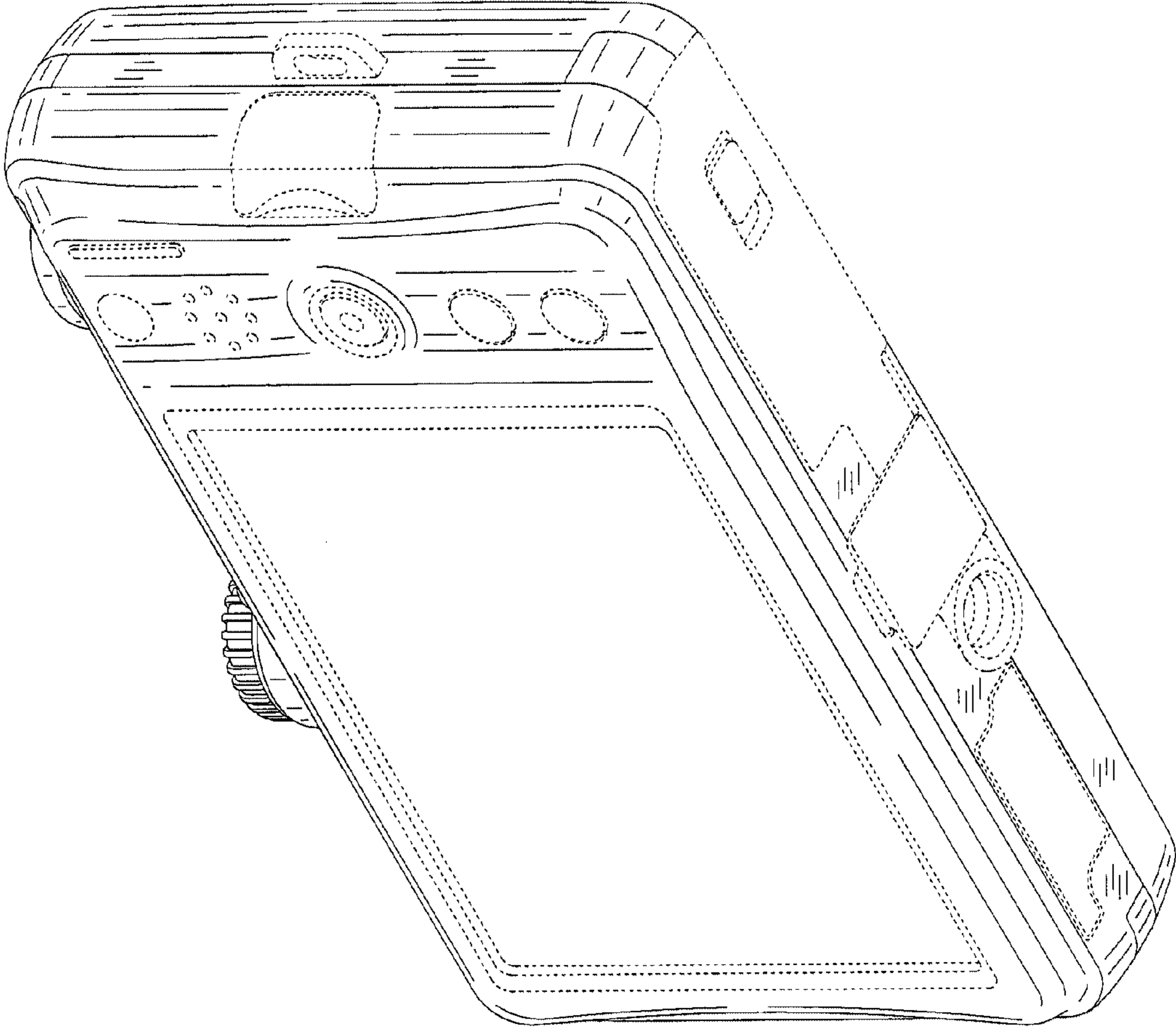


Fig. 2

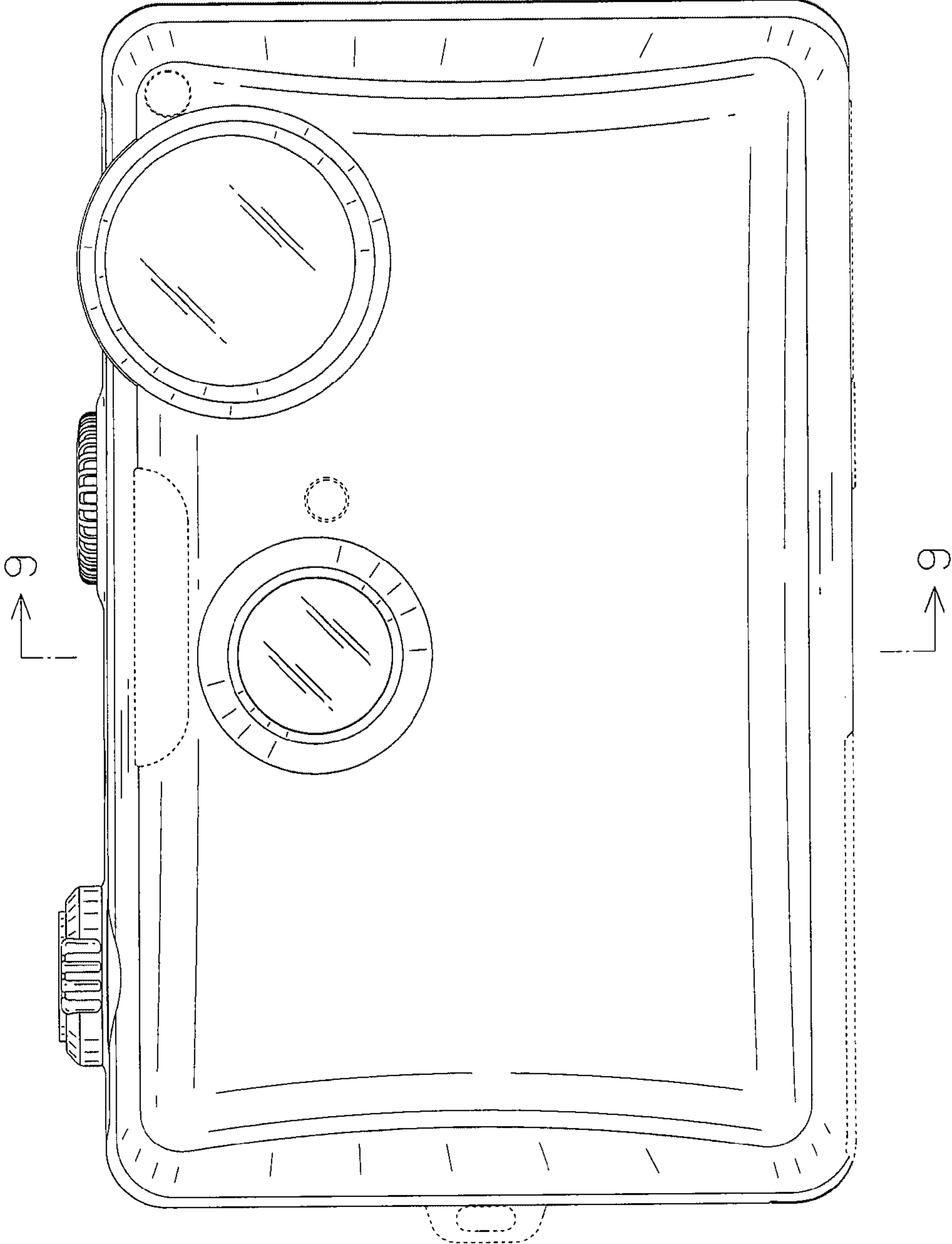


Fig. 3

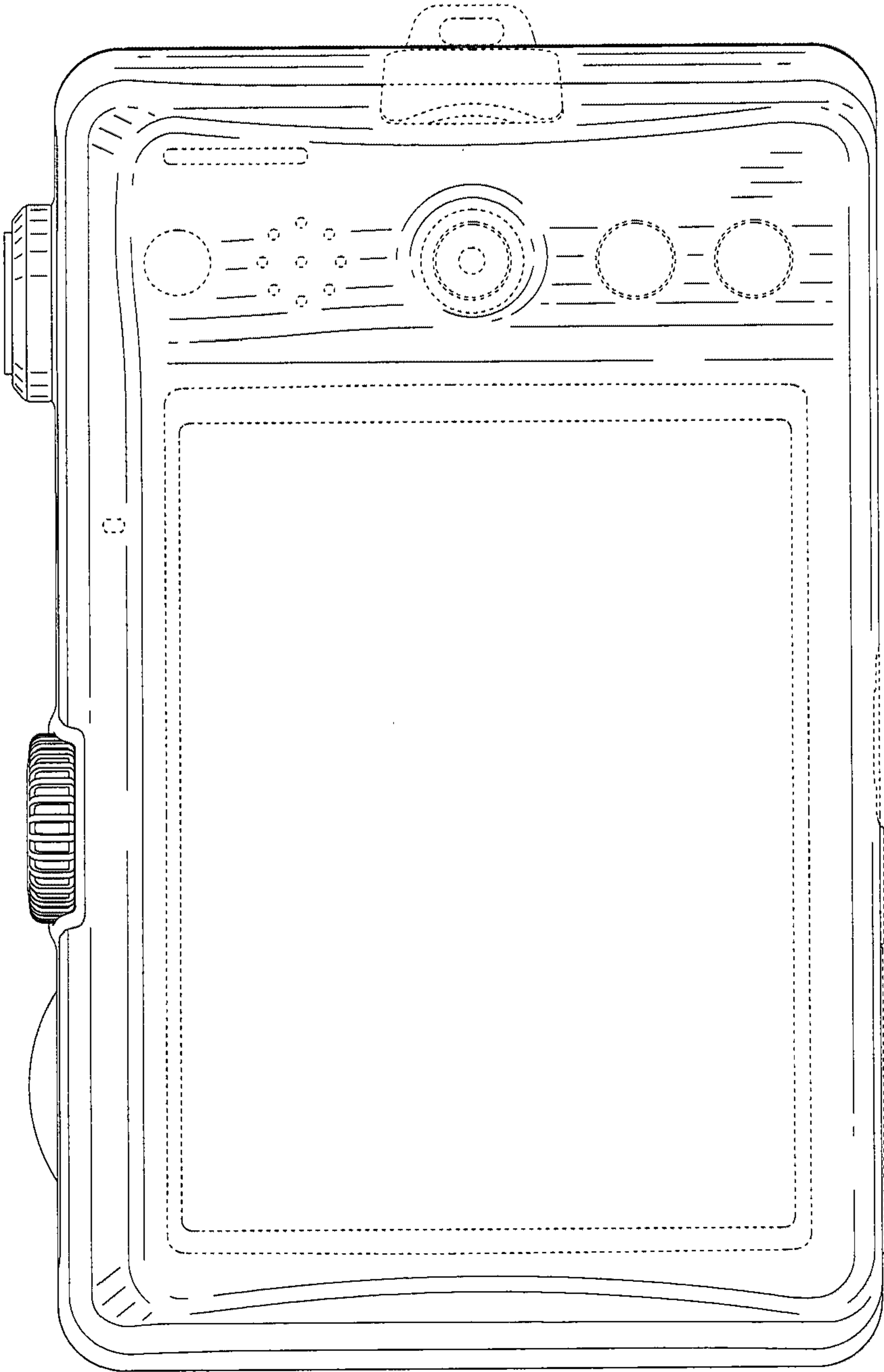


Fig. 4

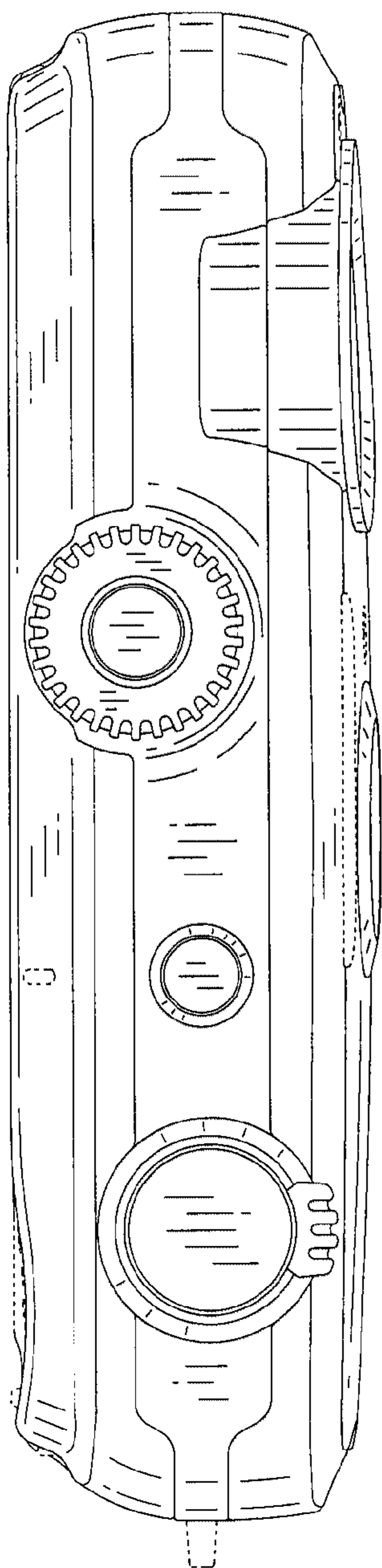


Fig. 5

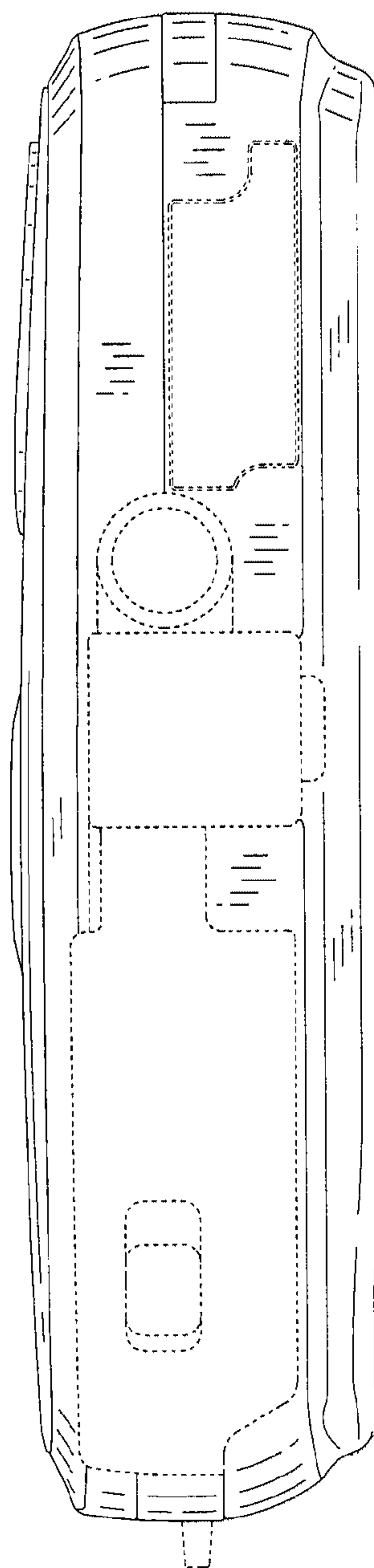


Fig. 6

Fig. 9

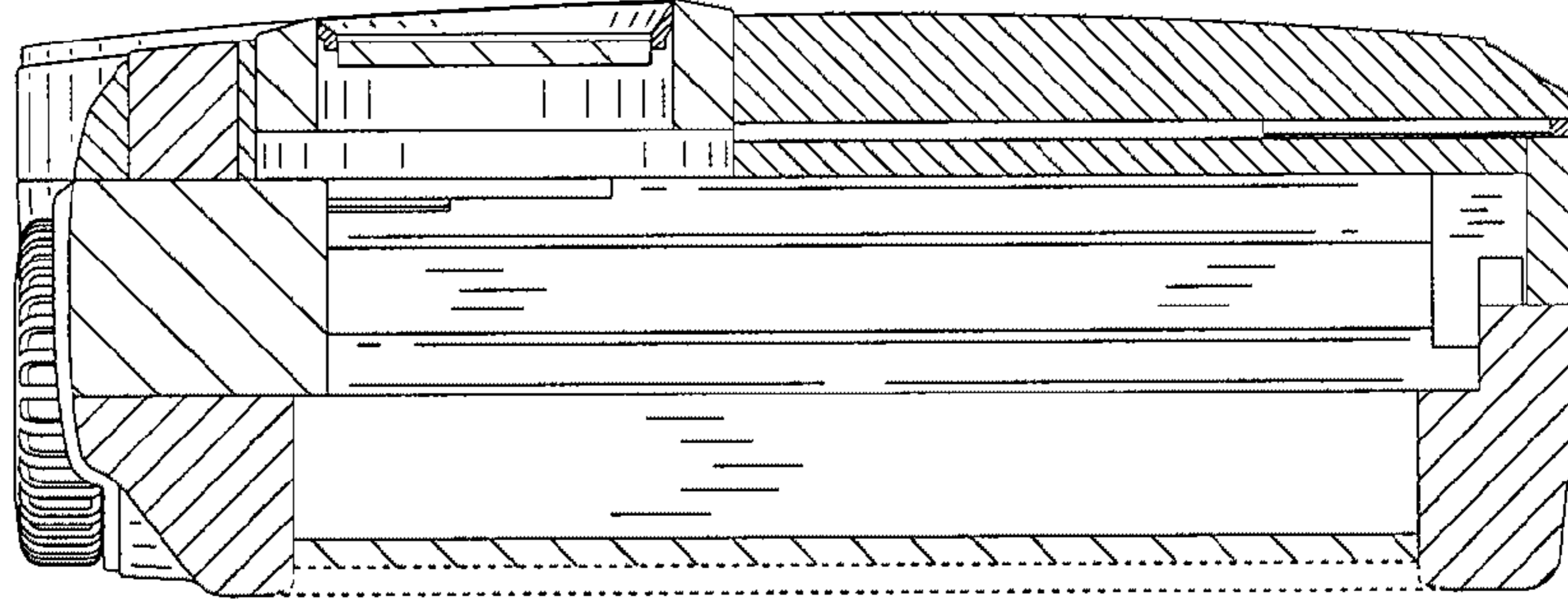


Fig. 8

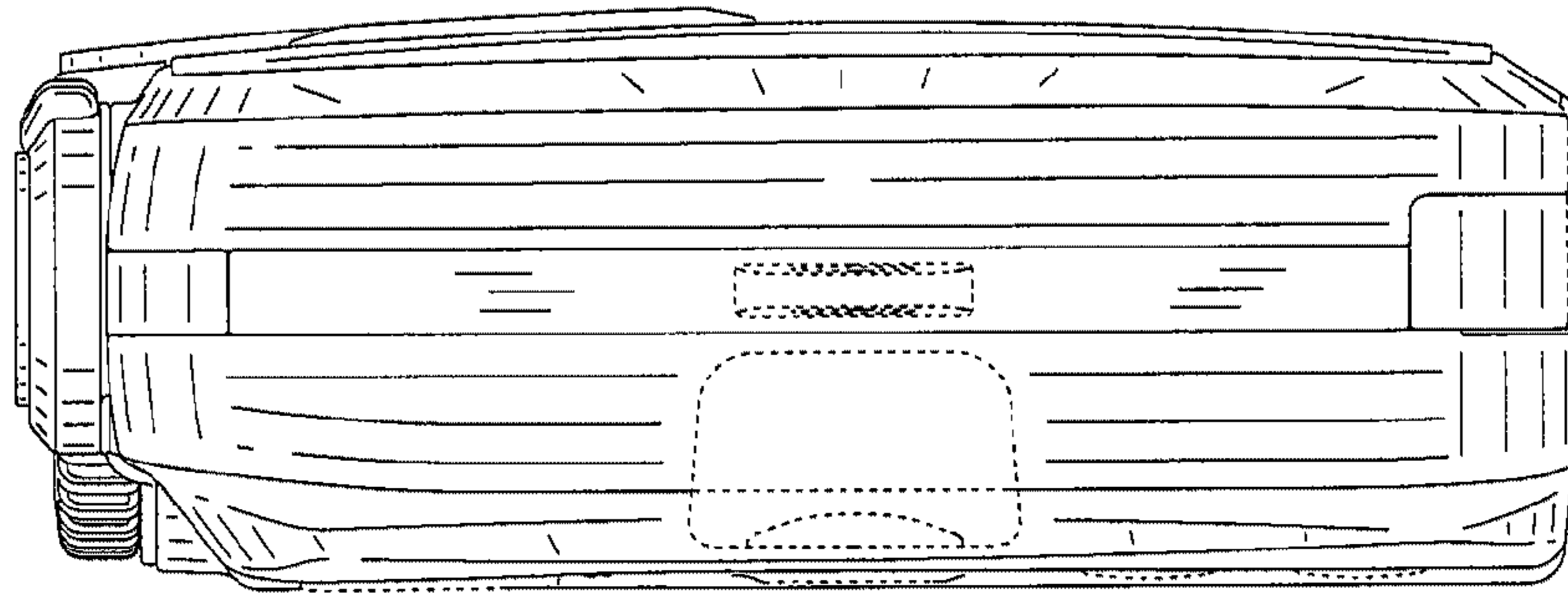


Fig. 7

