



US00D648763S

(12) **United States Design Patent**
van der Heijden

(10) **Patent No.:** **US D648,763 S**

(45) **Date of Patent:** **** Nov. 15, 2011**

(54) **WELDING HOOD**

(75) Inventor: **Johannes van der Heijden**, Egmond
Aan de Hoef (NL)

(73) Assignee: **Euromate Industrial Air Cleaning**
Systems B.V. (NL)

(**) Term: **14 Years**

(21) Appl. No.: **29/331,494**

(22) Filed: **Jan. 27, 2009**

(51) **LOC (9) Cl.** **15-09**

(52) **U.S. Cl.** **D15/144**

(58) **Field of Classification Search** D6/575,
D6/579, 580; D8/376, 377; D21/782, 783,
D21/784; D25/55, 121-125; 160/19, 23.1,
160/24-31, 33, 38, 39; 248/251, 263, 264,
248/345.1; 473/1, 4, 17, 21, 28, 29, 33; 256/59,
256/65.01, 65.15, 65.16

See application file for complete search history.

(56) **References Cited**

U.S. PATENT DOCUMENTS

2,293,662	A *	8/1942	Richardson	160/19
D179,575	S *	1/1957	Kordek	D21/784
D207,782	S *	5/1967	Benkoe	D21/784
D319,861	S *	9/1991	Brostoski et al.	D21/784
5,165,643	A *	11/1992	Shreiner	248/251
D332,648	S *	1/1993	Mitchell, Jr.	D21/784
5,189,758	A *	3/1993	Levy	16/87.4 R

5,288,048	A *	2/1994	Shreiner	248/251
D438,416	S *	3/2001	DeBlock et al.	D6/580
D446,275	S *	8/2001	Murrey	D21/784
D448,058	S *	9/2001	Baker	D21/784
D507,322	S *	7/2005	Hobbs et al.	D21/784
D558,847	S *	1/2008	McCormick	D21/784
7,523,592	B2 *	4/2009	Horwitz	52/716.8
2007/0090259	A1 *	4/2007	Chen et al.	248/345.1

* cited by examiner

Primary Examiner — Patricia Palasik

(74) *Attorney, Agent, or Firm* — Lerner, David, Littenberg,
Krumholz & Mentlik, LLP

(57) **CLAIM**

ornamental design for a welding hood, as shown and described.

DESCRIPTION

FIG. 1 is a perspective view of a welding hood showing my new design;

FIG. 2 is a front elevational view thereof, the rear elevational view being a mirror image thereof;

FIG. 3 is a right-side elevational view thereof, the left-side elevational view being a mirror image thereof;

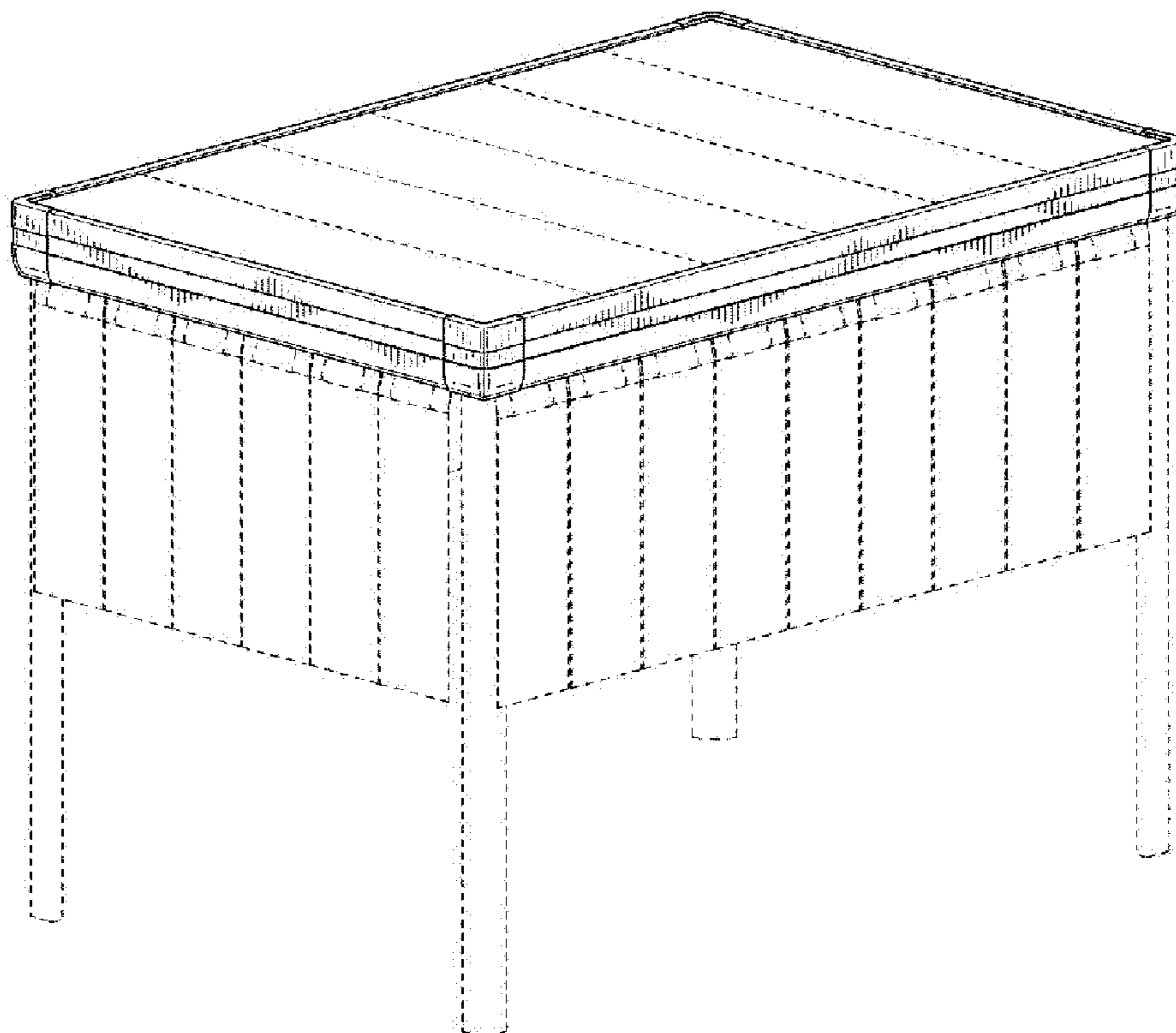
FIG. 4 is a top plan view thereof;

FIG. 5 is a bottom plan view thereof; and,

FIG. 6 is an enlarged partial perspective view showing a corner detail of the welding hood.

The broken lines in the drawings show environmental structure or are otherwise for illustrative purposes only and form no part of the claimed design.

1 Claim, 6 Drawing Sheets



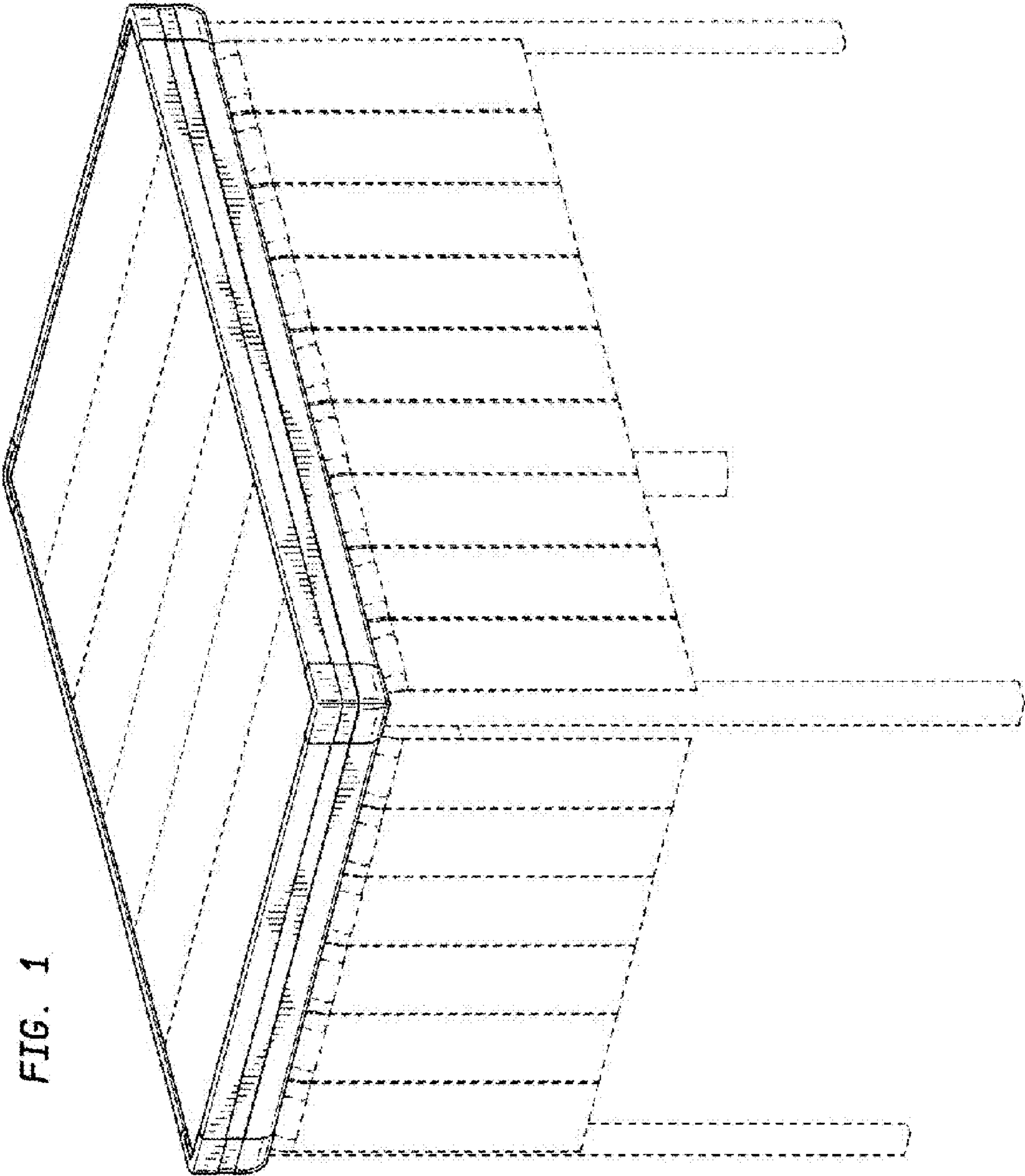


FIG. 1

FIG. 2

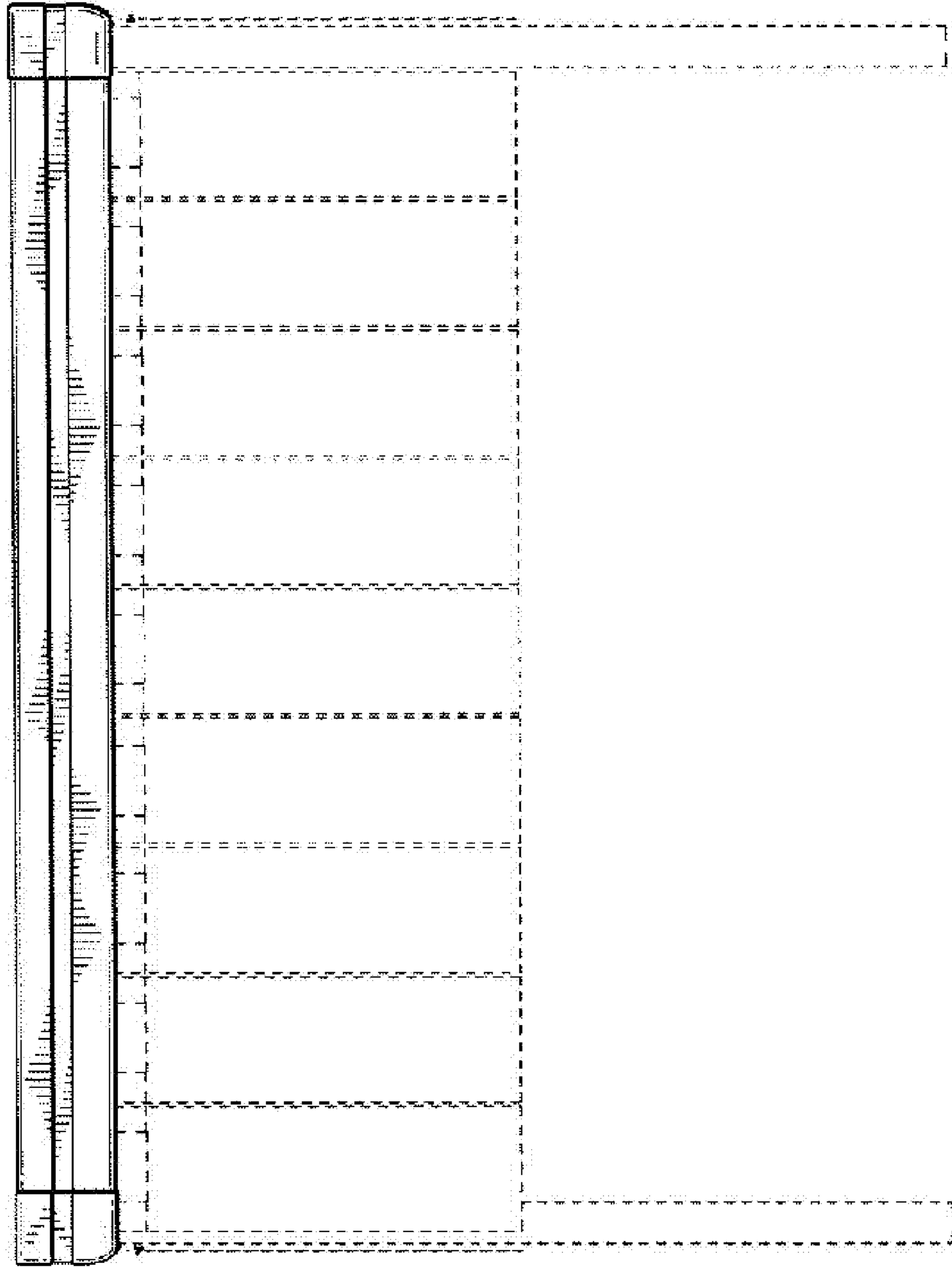


FIG. 3

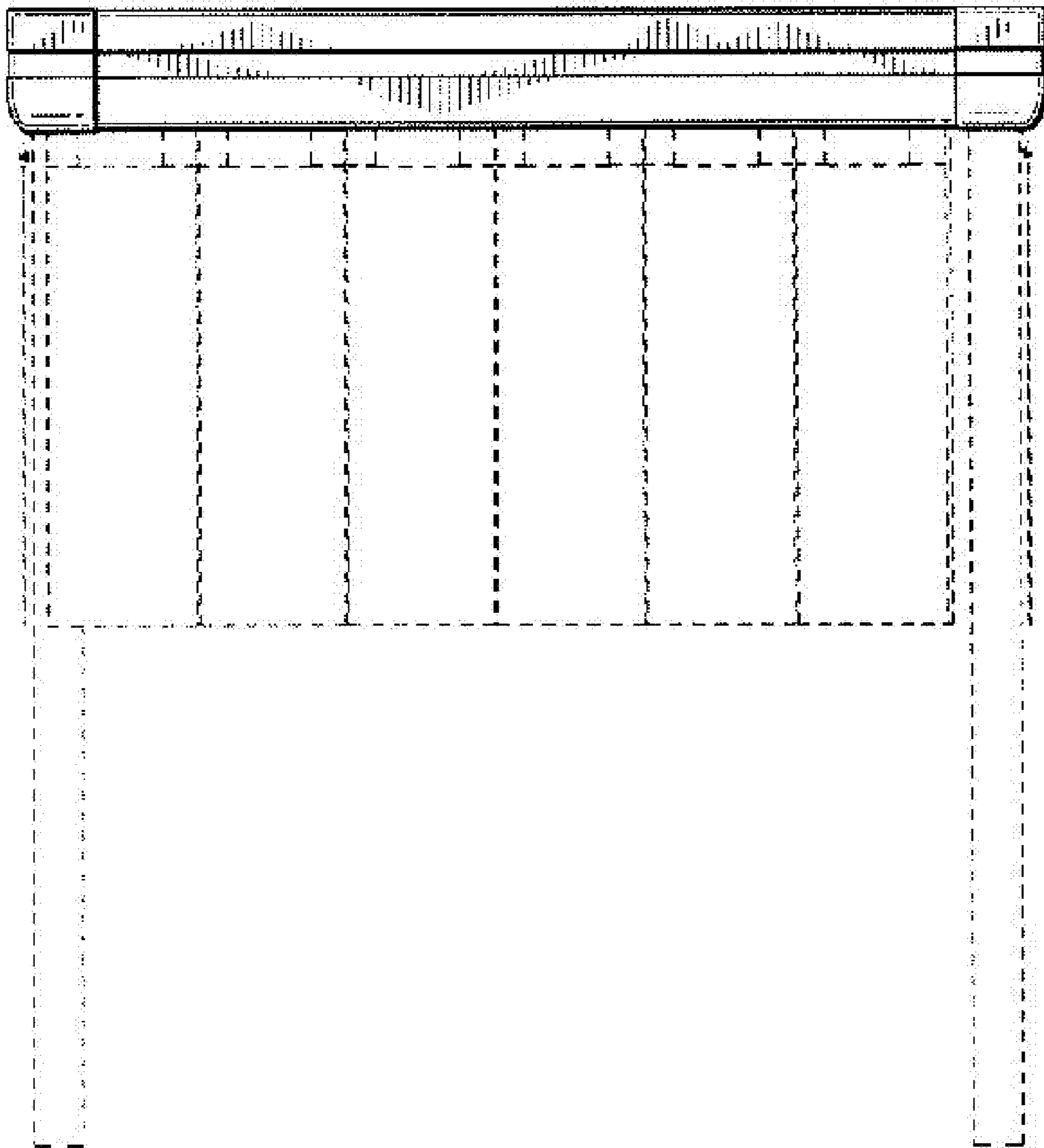


FIG. 4

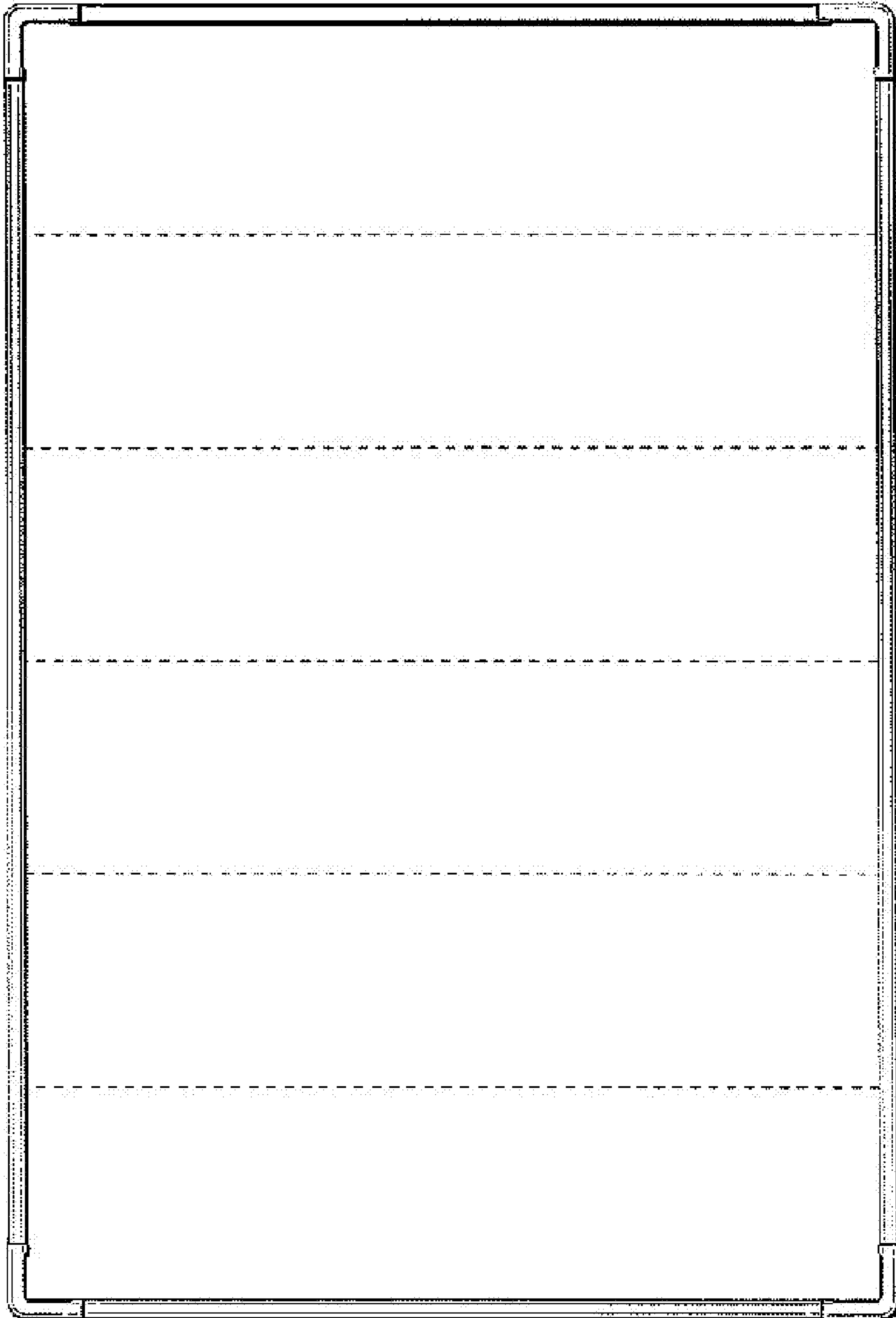


FIG. 5

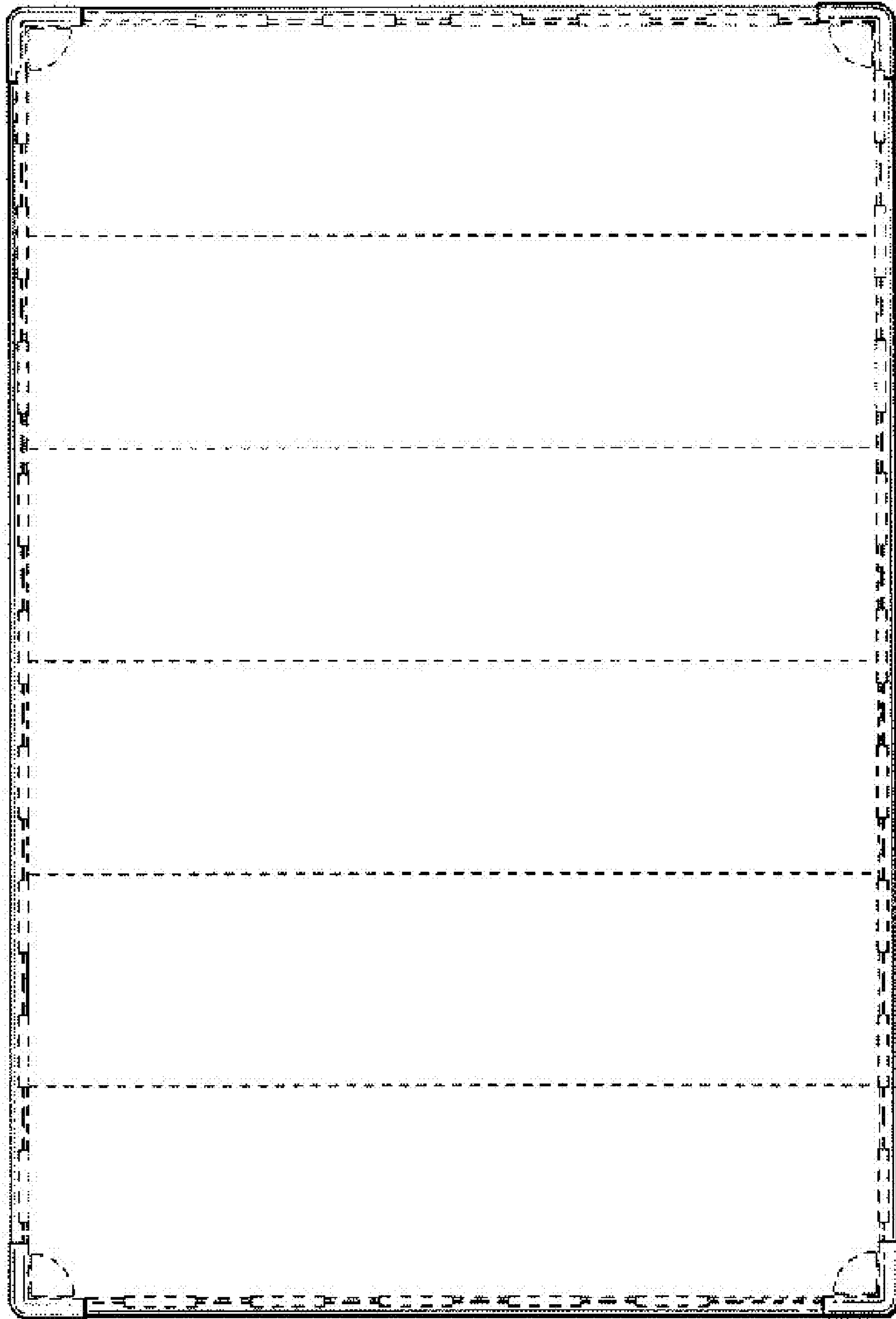


FIG. 6

