



US00D648762S

(12) **United States Design Patent**
Mack

(10) **Patent No.:** **US D648,762 S**

(45) **Date of Patent:** **** Nov. 15, 2011**

(54) **CHUCK**

(75) Inventor: **Hans-Dieter Mack**, Sontheim (DE)

(73) Assignee: **Roehm GmbH**, Sontheim (DE)

(**) Term: **14 Years**

(21) Appl. No.: **29/389,834**

(22) Filed: **Apr. 18, 2011**

Related U.S. Application Data

(63) Continuation of application No. 29/363,909, filed on Jun. 16, 2010.

(51) **LOC (9) Cl.** **15-09**

(52) **U.S. Cl.** **D15/140**

(58) **Field of Classification Search** D8/61-70;
D15/138-140; 279/61-66, 157, 901, 902;
408/56, 240

See application file for complete search history.

(56) **References Cited**

U.S. PATENT DOCUMENTS

4,589,458	A *	5/1986	McCord, Jr.	144/238
D542,814	S *	5/2007	Concari	D15/140
D563,186	S *	3/2008	Ahn	D8/70
2006/0145432	A1 *	7/2006	Ubele et al.	279/124
2008/0012247	A1 *	1/2008	Weller	279/66
2008/0061520	A1 *	3/2008	Tajnafoi et al.	279/123
2009/0051094	A1 *	2/2009	Sandmeier	269/258

* cited by examiner

Primary Examiner — Patricia Palasik

(74) *Attorney, Agent, or Firm* — Andrew Wilford

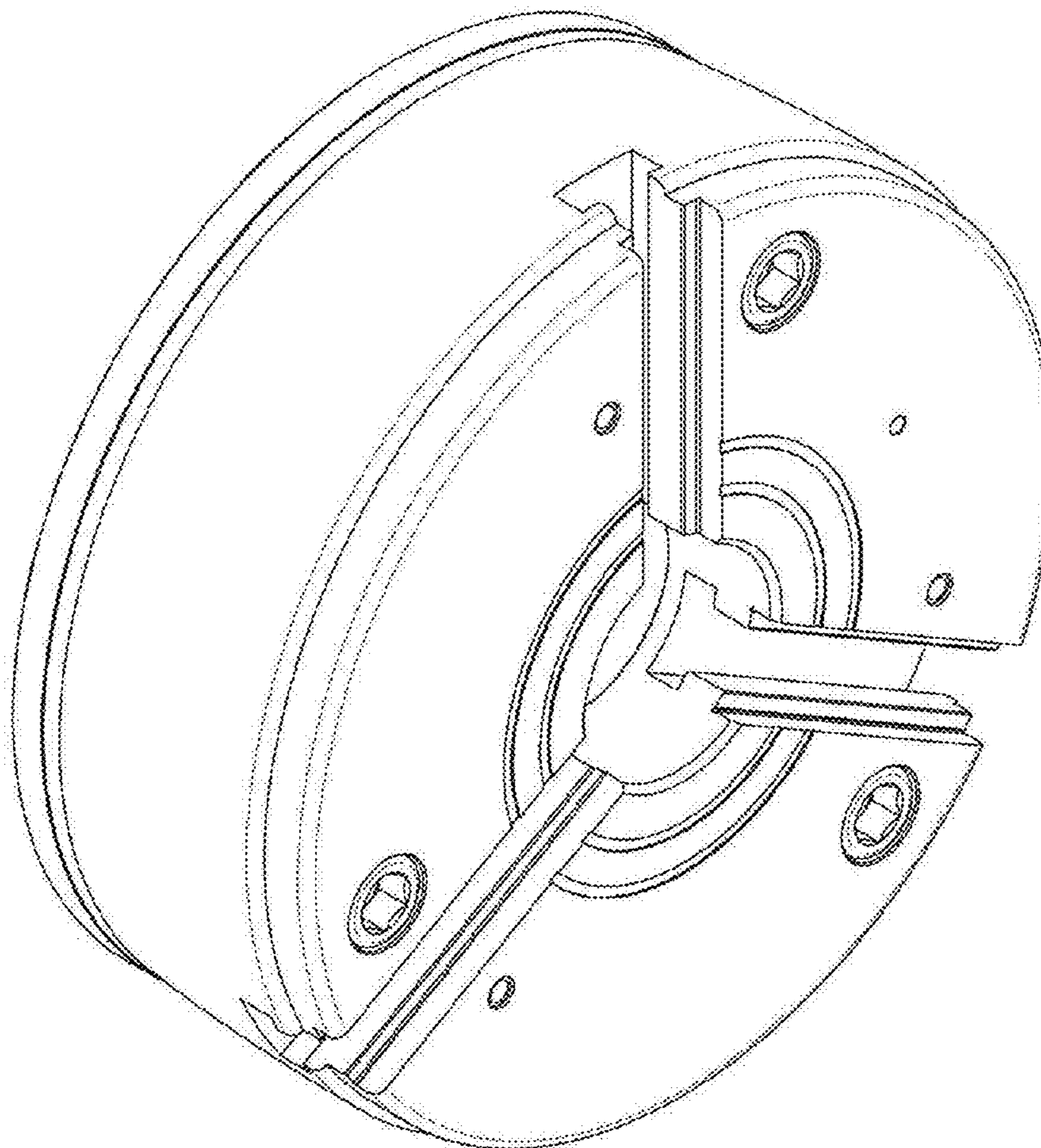
(57) **CLAIM**

The ornamental design for a chuck, as shown and described.

DESCRIPTION

FIG. 1 is a front perspective view of the invention; FIG. 2 is a front elevational view of the invention; FIG. 3 is a rear elevational view of the invention; FIGS. 4 and 5 are top and bottom plan views of the invention; and, FIGS. 6 and 7 are left- and right-side elevational views of the invention.

1 Claim, 6 Drawing Sheets



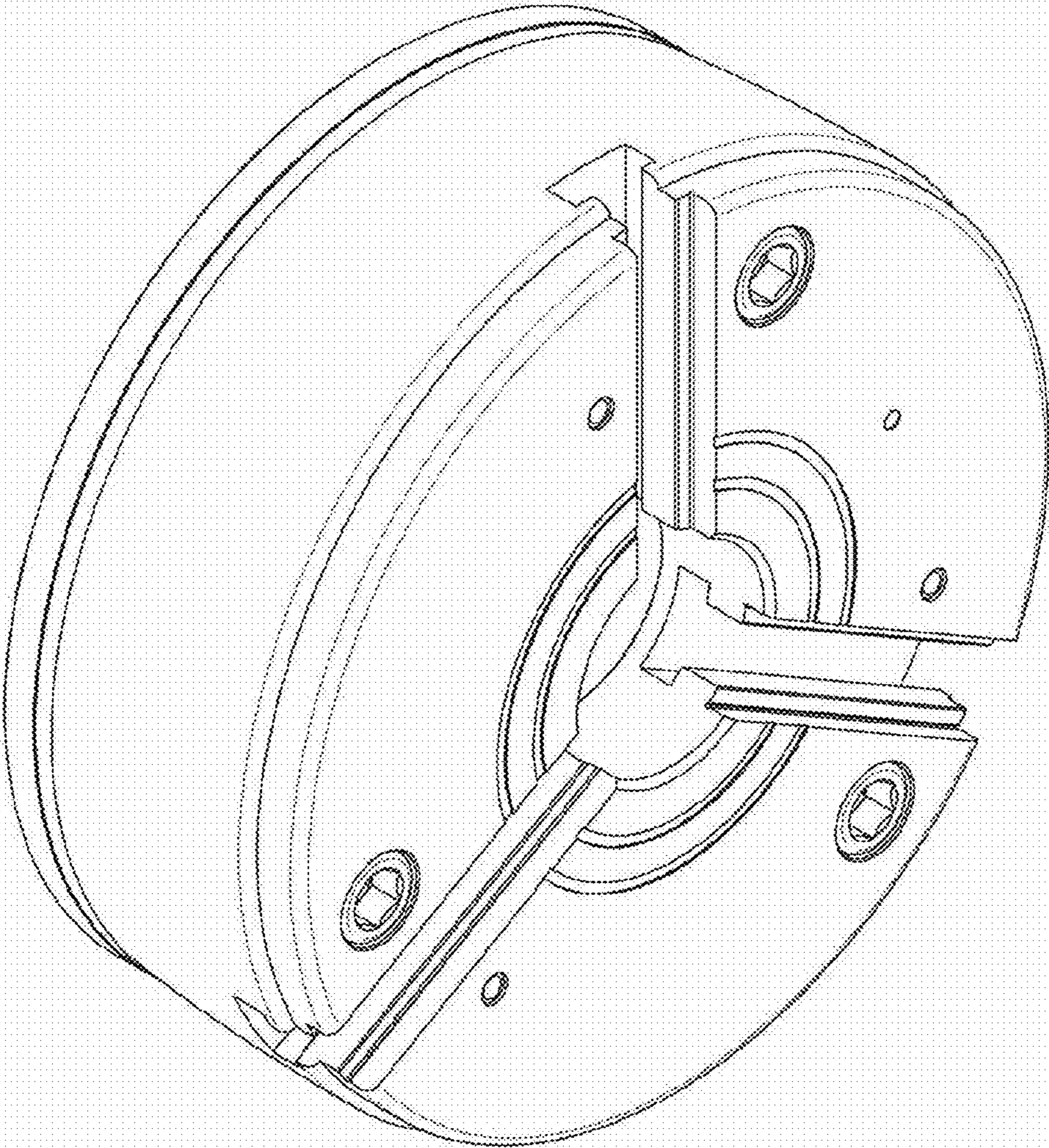


Fig. 1

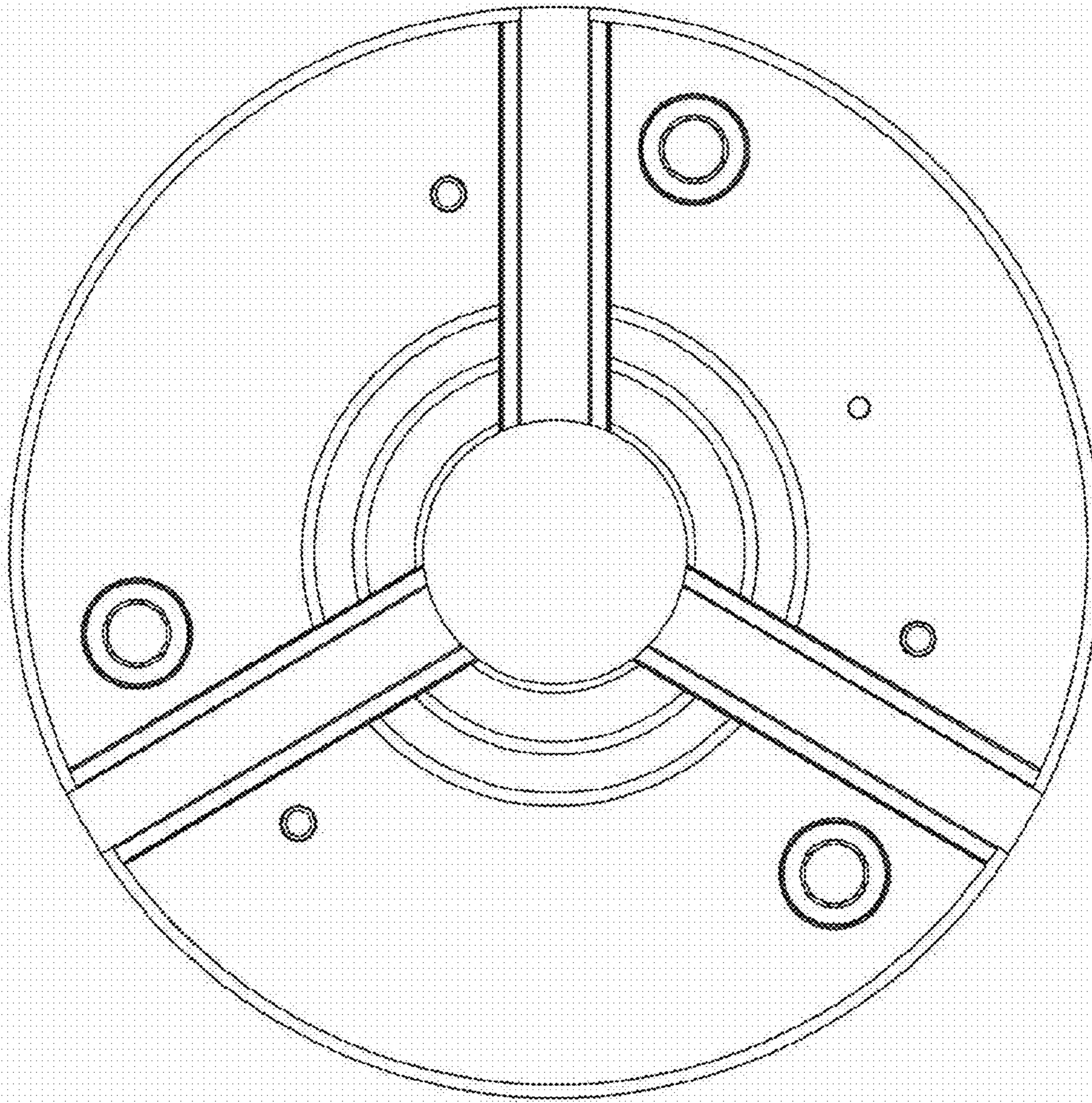


Fig. 2

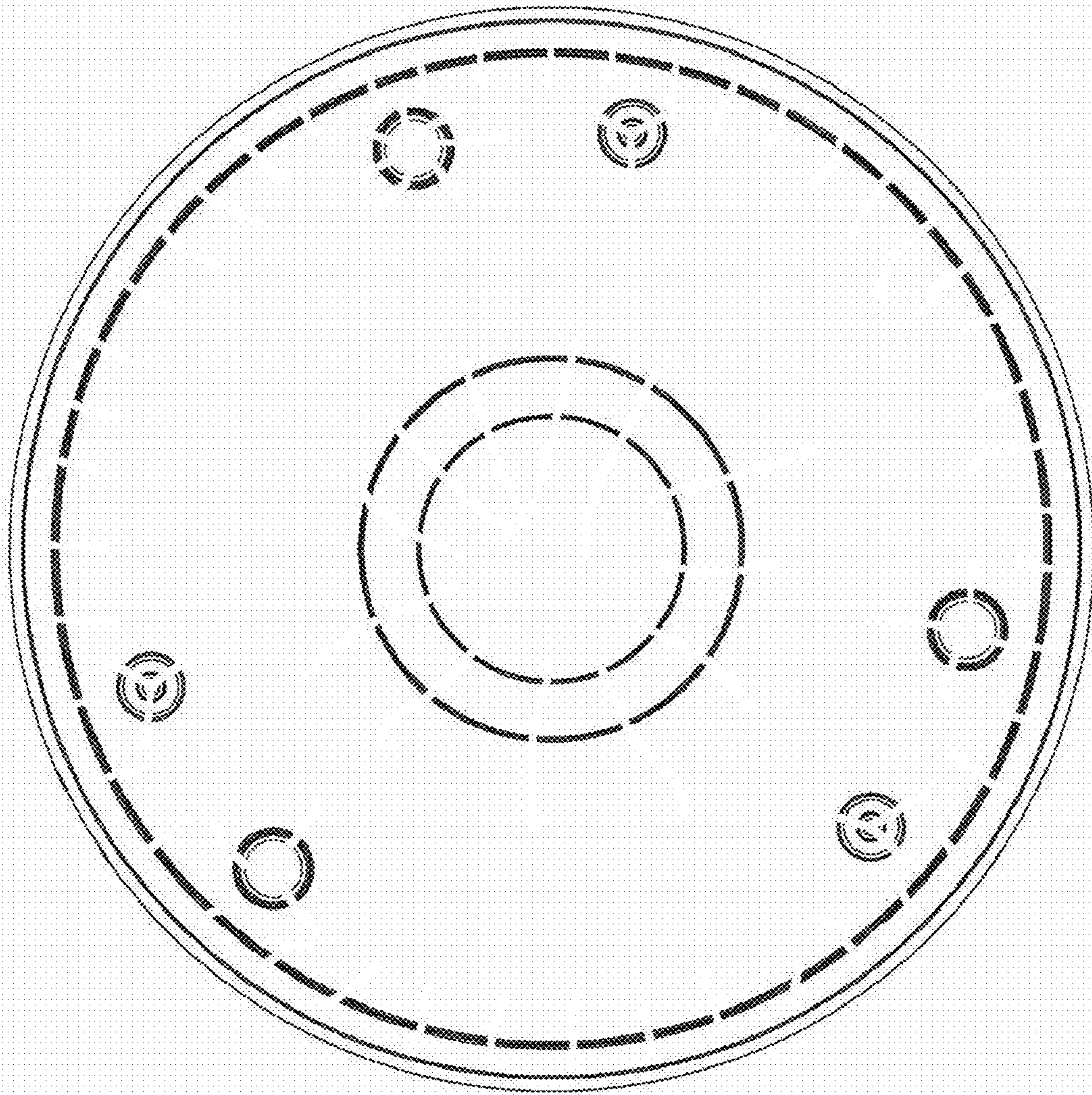


Fig. 3

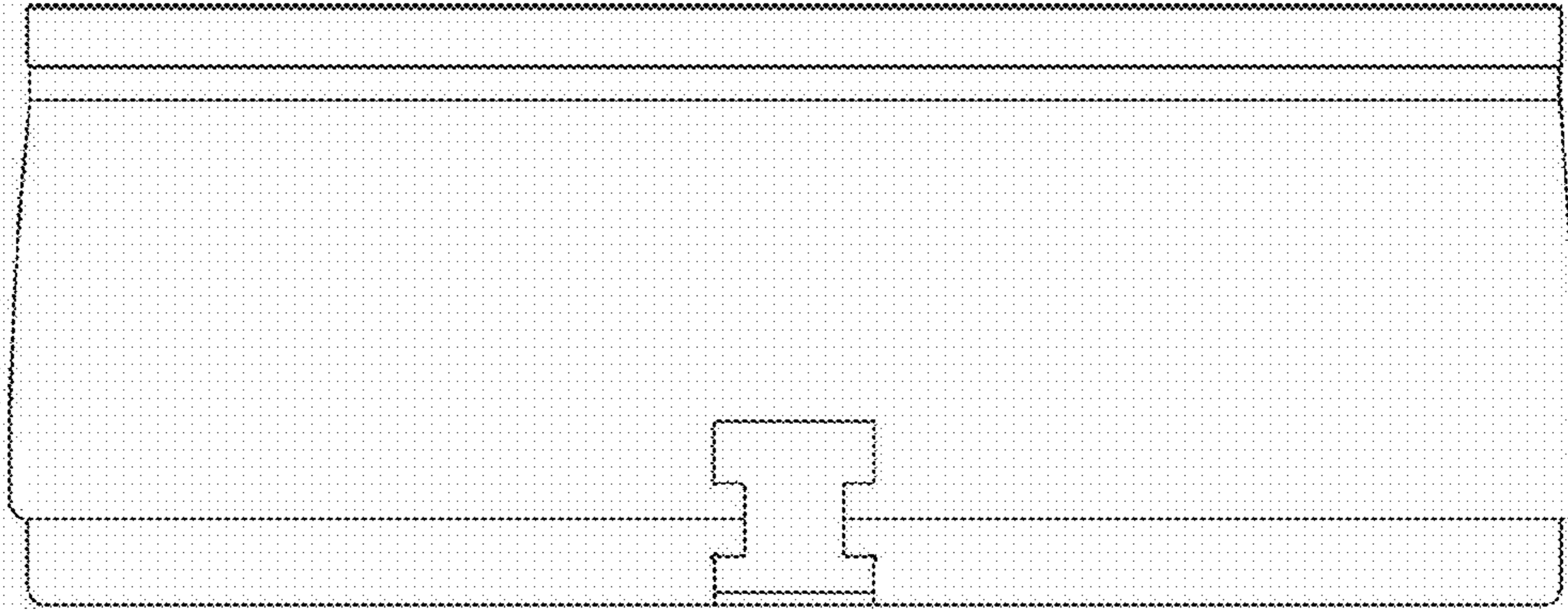


Fig. 4

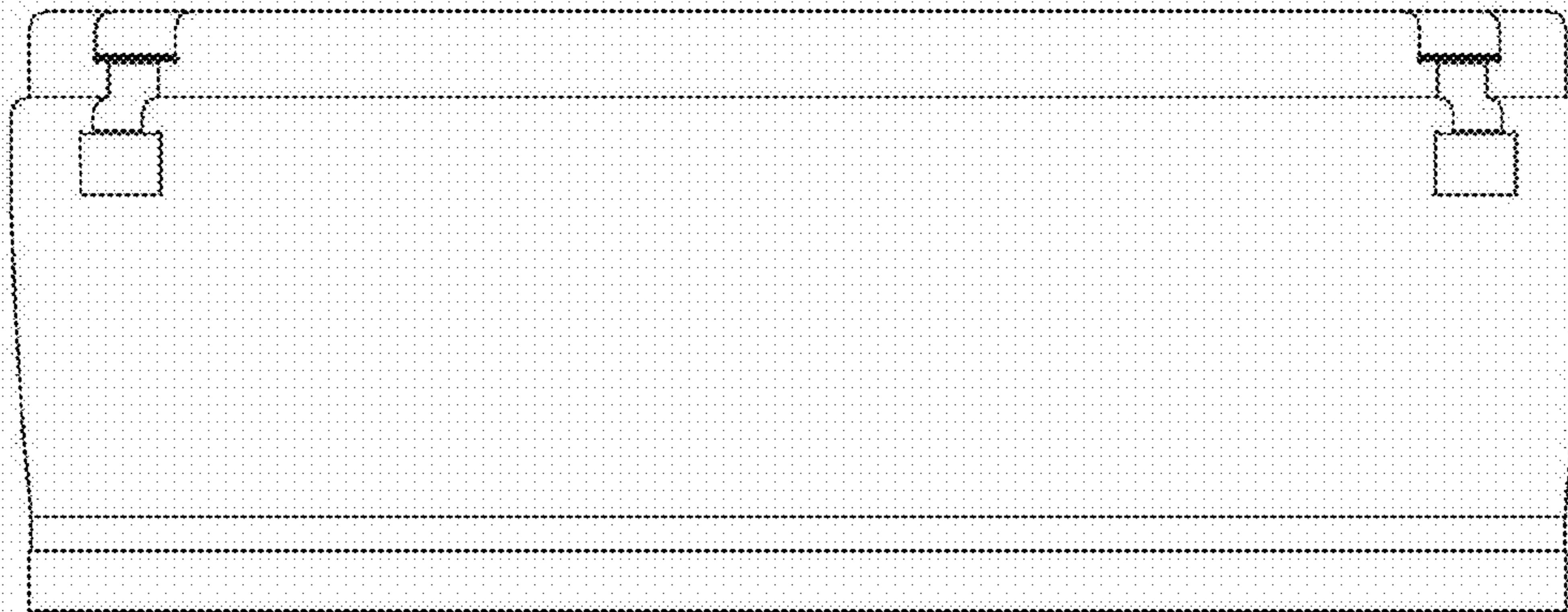


Fig. 5

Fig. 6

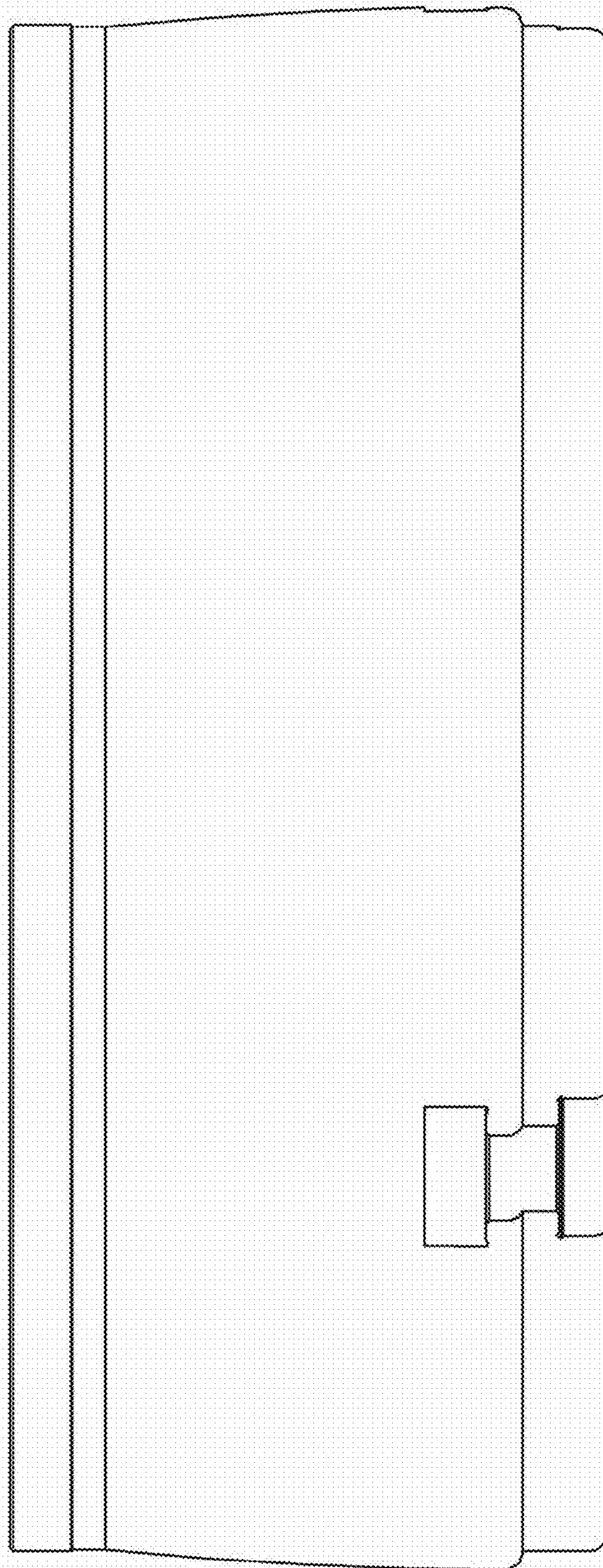


Fig. 7

