



US00D648761S

(12) **United States Design Patent**
Banjo et al.

(10) **Patent No.:** **US D648,761 S**

(45) **Date of Patent:** **** Nov. 15, 2011**

(54) **LOG SPLITTING DEVICE**

(75) Inventors: **Daniel Banjo**, Boulder, CO (US);
Jonathan Harrach-Salazar, Erie, CO (US)

(73) Assignee: **Blount, Inc.**, Portland, OR (US)

(**) Term: **14 Years**

(21) Appl. No.: **29/393,172**

(22) Filed: **May 31, 2011**

(51) **LOC (9) Cl.** **15-09**

(52) **U.S. Cl.** **D15/127**

(58) **Field of Classification Search** D15/127,
D15/133, 199; 83/468.1, 471.2, 471.3, 477.2,
83/486.1, 574, 701, 928; 108/19; 144/193.1-195.6,
144/286.5, 287, 366; 269/1

See application file for complete search history.

(56) **References Cited**

U.S. PATENT DOCUMENTS

D253,654	S	*	12/1979	Davis	D15/127
4,700,759	A	*	10/1987	Duerr	144/195.1
4,782,870	A	*	11/1988	Duerr	144/195.1
D326,665	S	*	6/1992	Greenburg et al.	D15/127
5,282,501	A	*	2/1994	Miller, III	144/4.6
5,337,810	A	*	8/1994	McCormack	144/195.1
5,373,877	A	*	12/1994	Chapman	144/195.1
D381,994	S	*	8/1997	Weirick	D15/127
D509,231	S	*	9/2005	Hickenbottom	D15/127
D528,570	S	*	9/2006	Lewis et al.	D15/127
D544,505	S	*	6/2007	VanderBurgh et al.	D15/127
7,334,615	B2	*	2/2008	Paradise	144/193.2
D585,915	S	*	2/2009	Feng	D15/127

D617,354	S	*	6/2010	Banjo et al.	D15/127
2004/0250895	A1	*	12/2004	Marx	144/193.1
2005/0284541	A1	*	12/2005	Walker et al.	144/193.2
2008/0251158	A1	*	10/2008	Koch	144/366
2009/0229709	A1	*	9/2009	Babcock	144/195.1
2010/0024919	A1	*	2/2010	Majkrzak	144/195.1

* cited by examiner

Primary Examiner — Patricia Palasik

(74) *Attorney, Agent, or Firm* — Sheridan Ross P.C.

(57) **CLAIM**

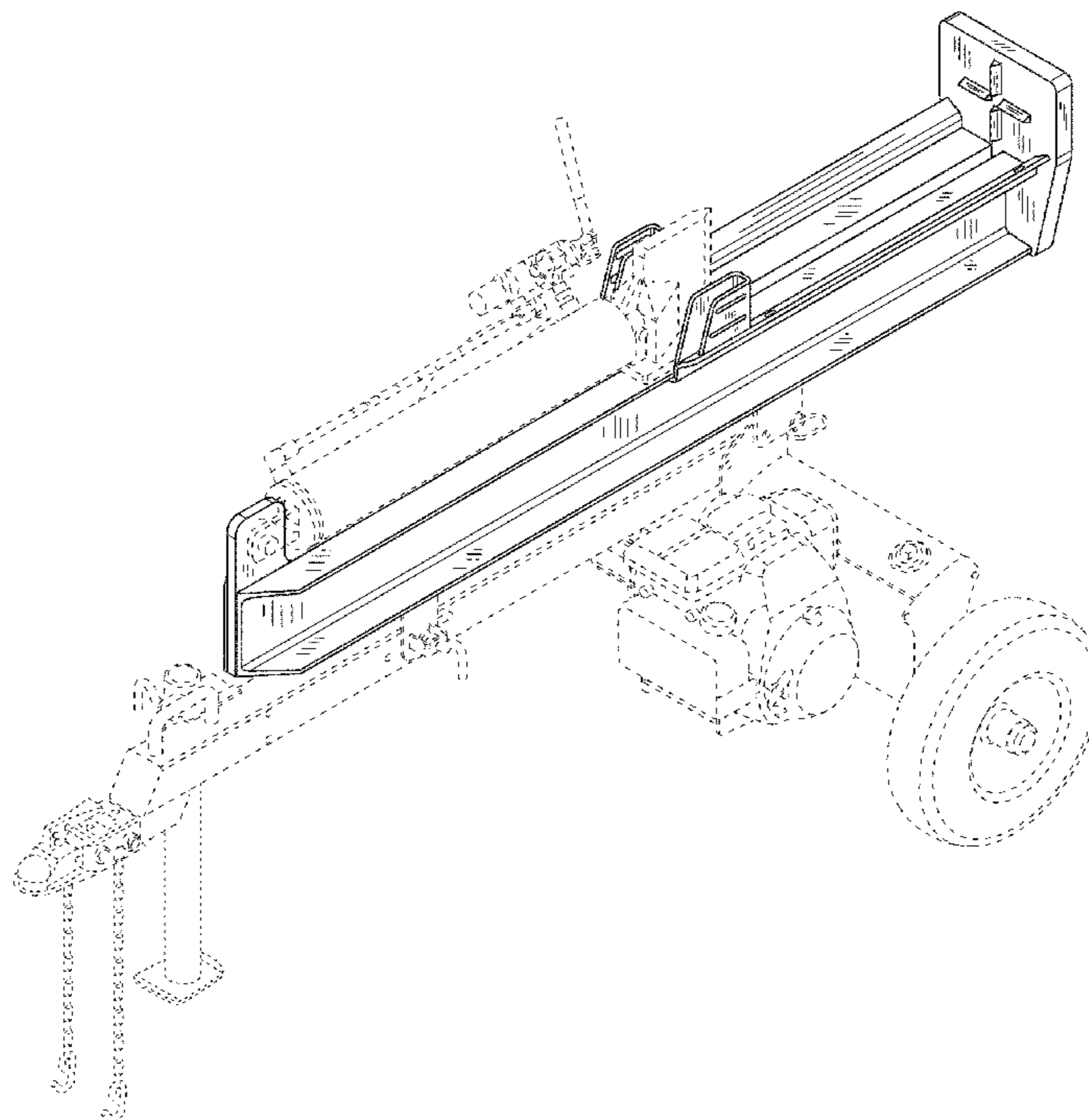
The ornamental design for a log splitting device, as shown and described.

DESCRIPTION

FIG. 1 is a front perspective view of a log splitting device; FIG. 2 is a front elevation view thereof; FIG. 3 is a rear elevation view thereof; FIG. 4 is left elevation view thereof; FIG. 5 is a right elevation view thereof; FIG. 6 is a top plan view thereof; FIG. 7 is a bottom plan view thereof; FIG. 8 is a front perspective view of an alternative embodiment of a log splitting device; FIG. 9 is a front elevation view thereof; FIG. 10 is a rear elevation view thereof; FIG. 11 is left elevation view thereof; FIG. 12 is a right elevation view thereof; FIG. 13 is a top plan view thereof; and, FIG. 14 is a bottom plan view thereof.

The broken lines showing a log splitting device are included for the purpose of illustrating environment and form no part of the claimed design.

1 Claim, 14 Drawing Sheets



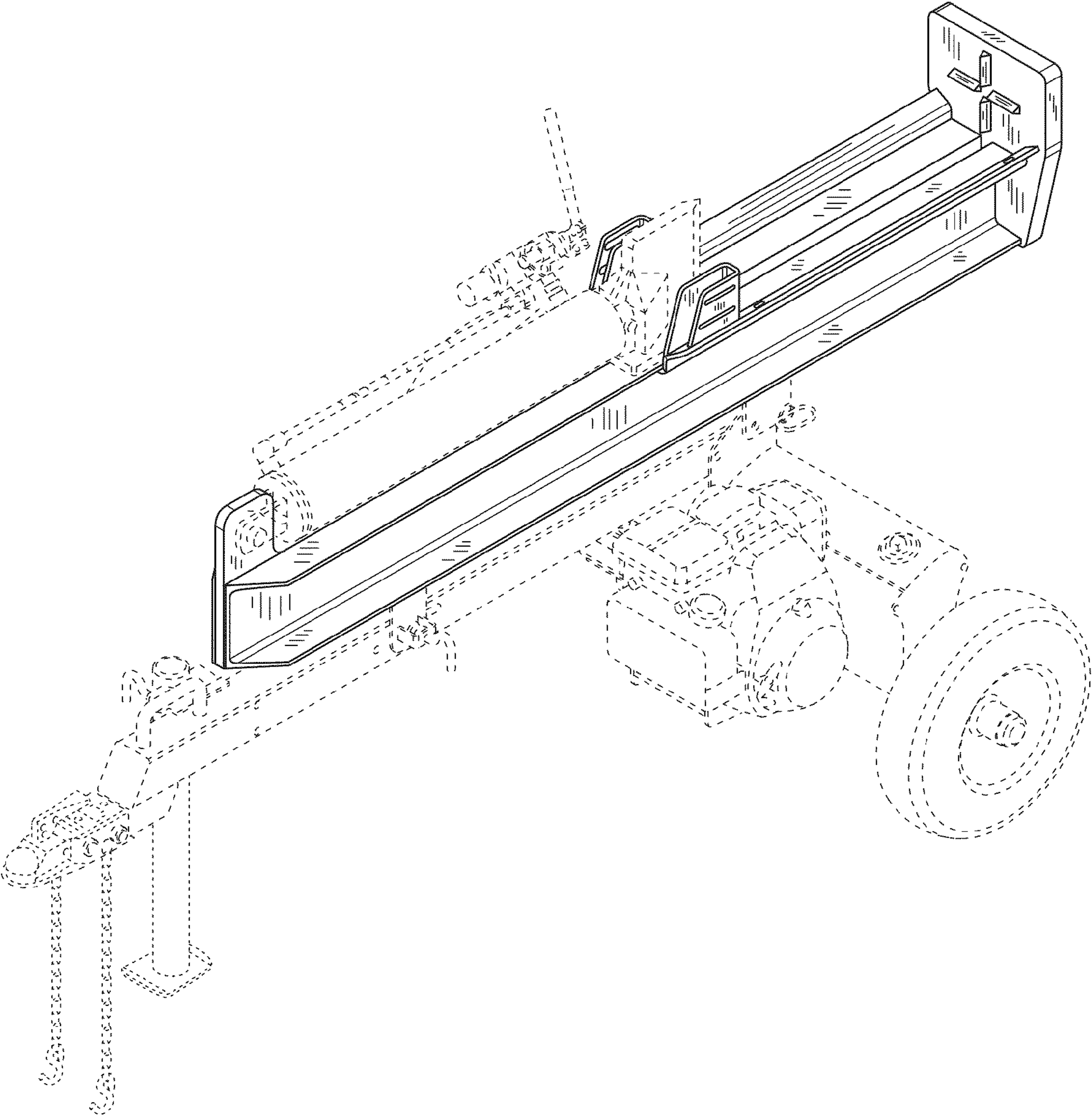


FIG.1

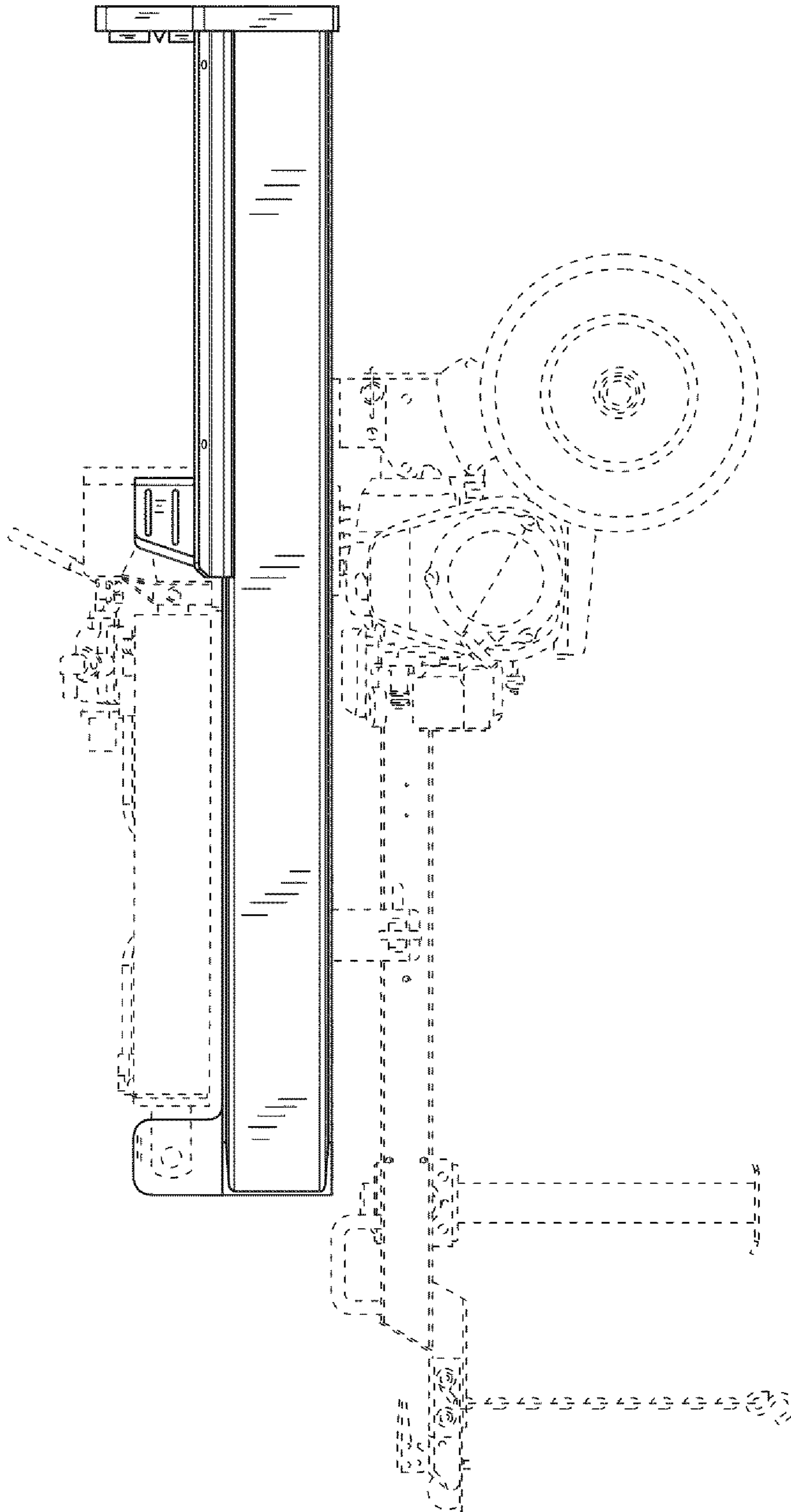


FIG. 2

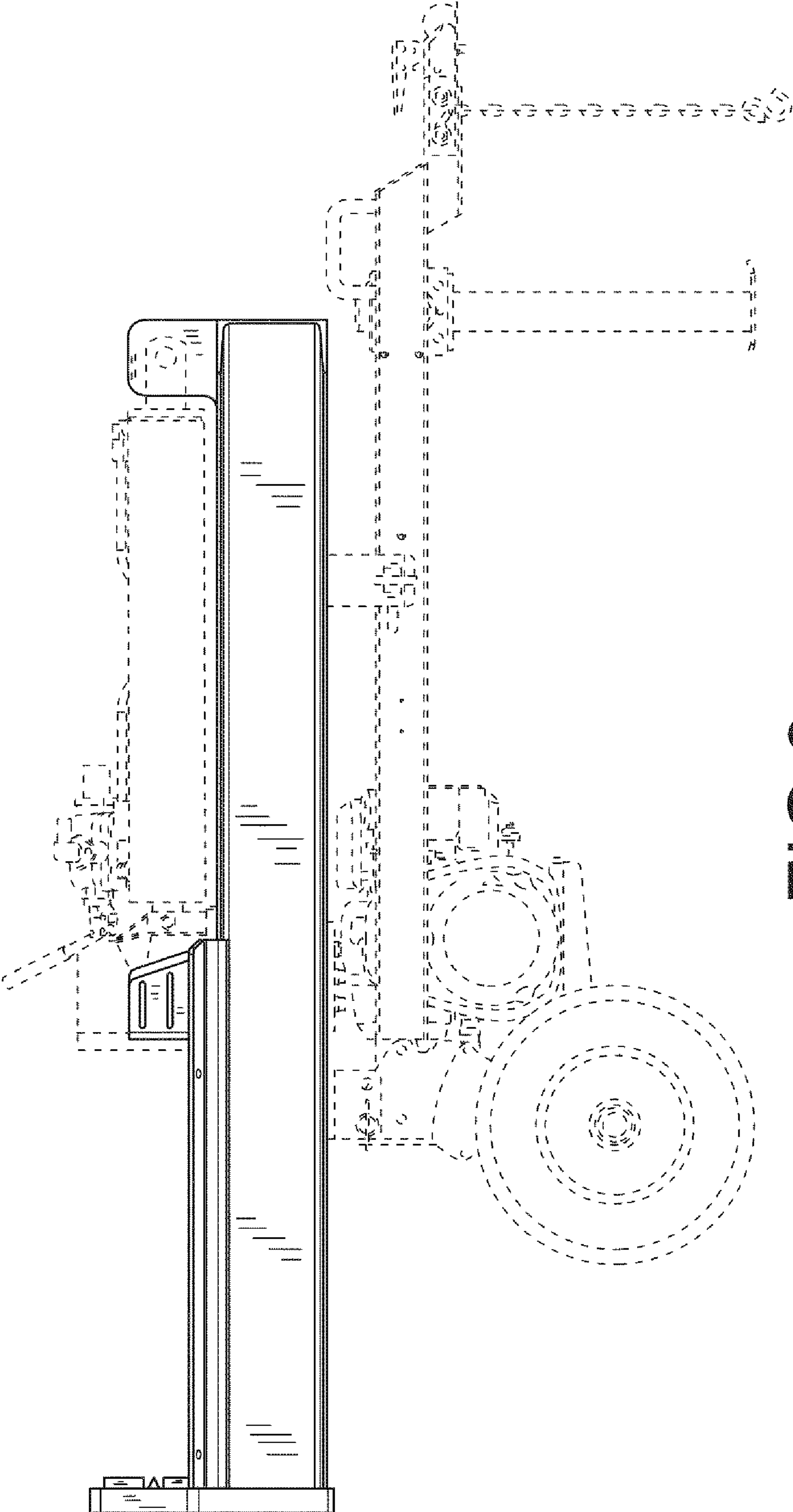


FIG. 3

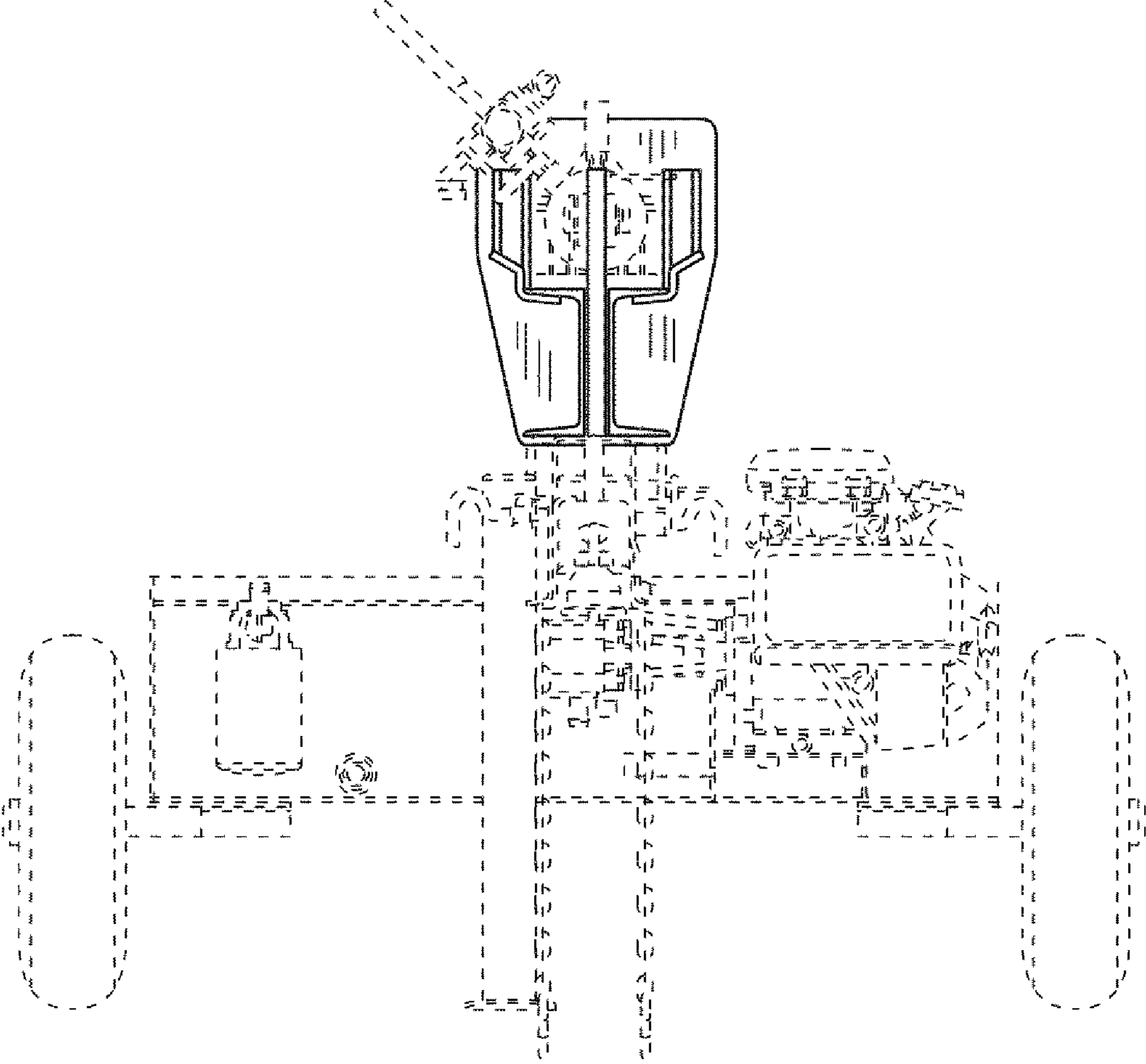


FIG.4

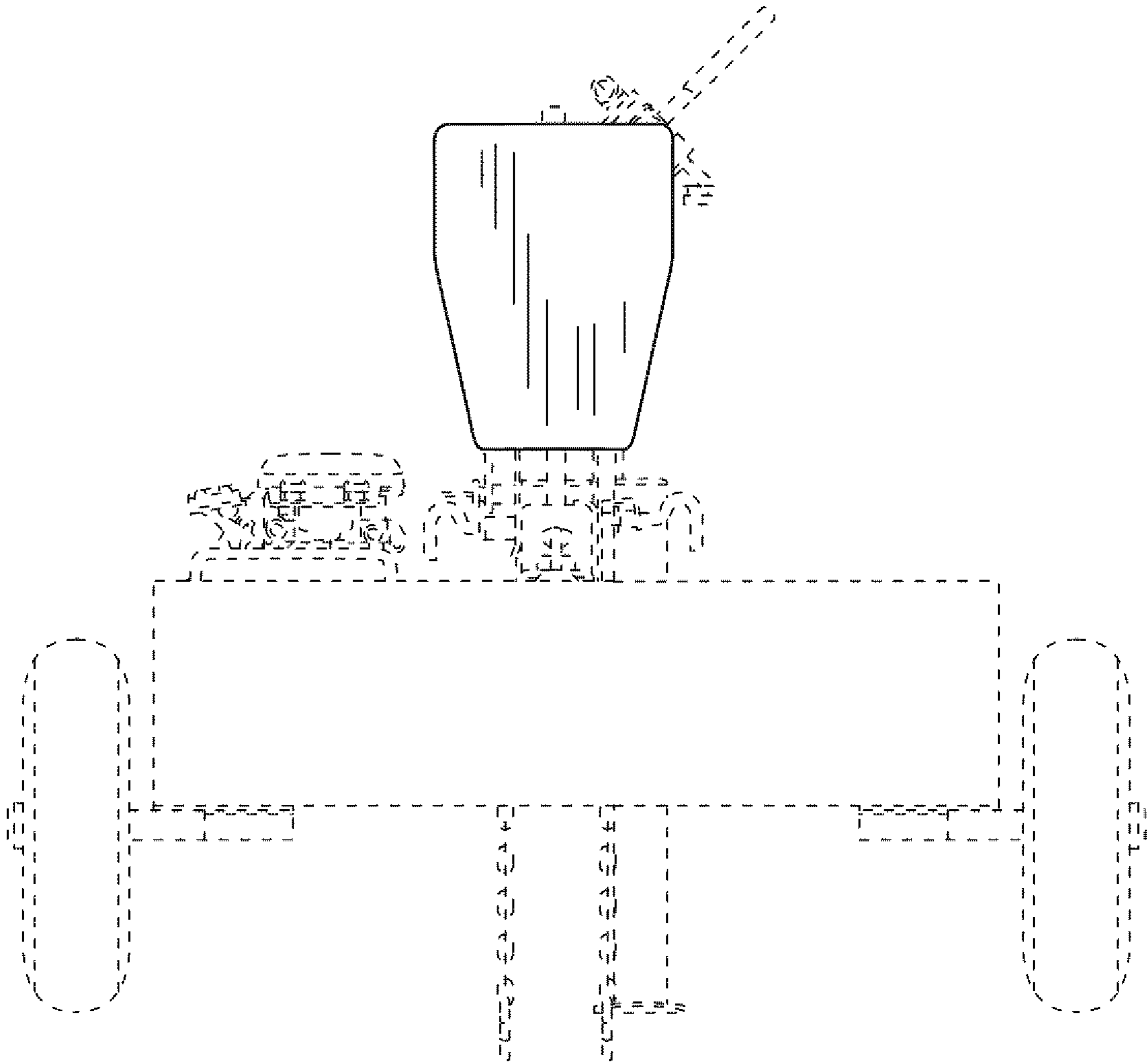


FIG.5

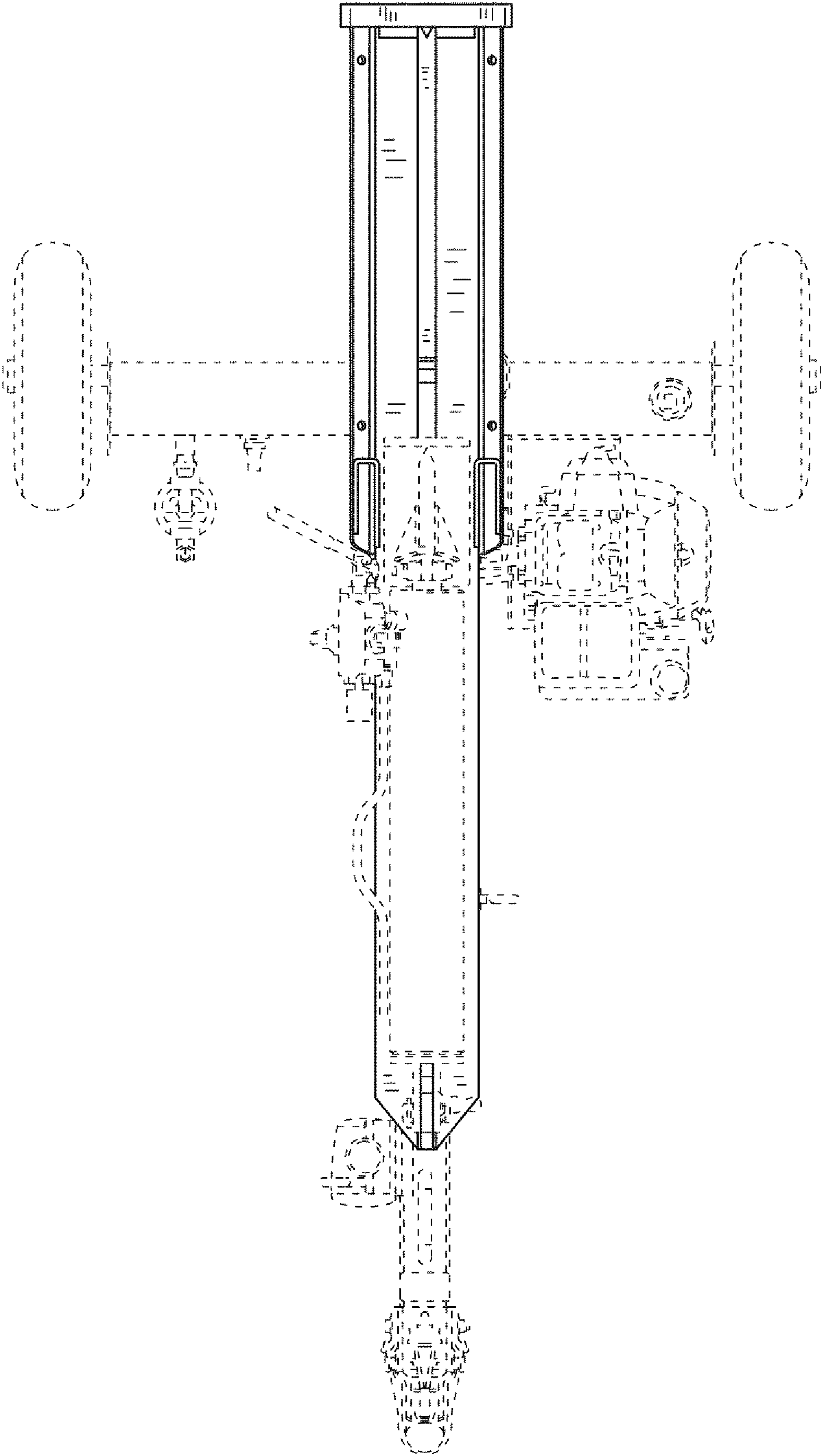


FIG.6

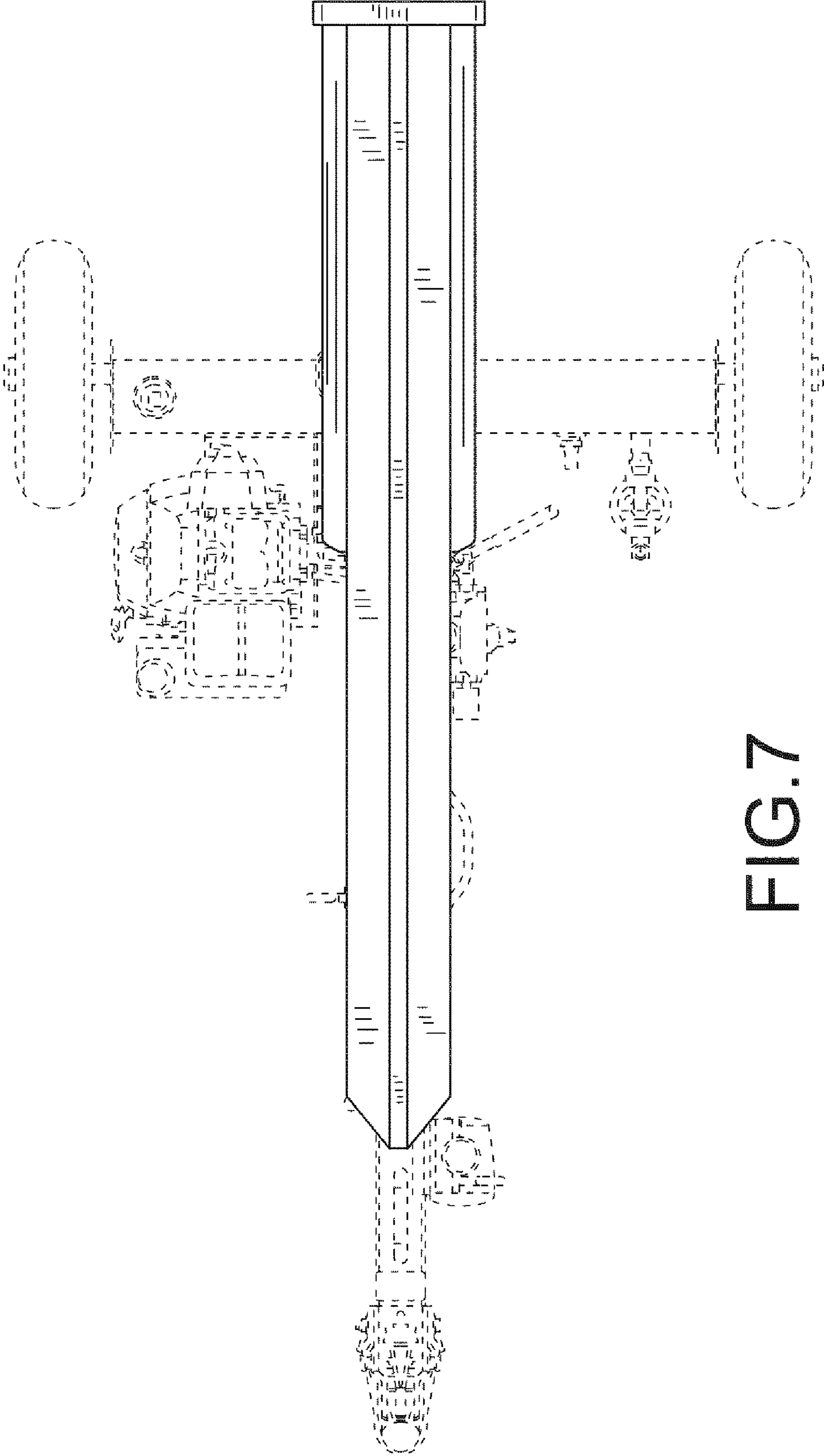


FIG.7

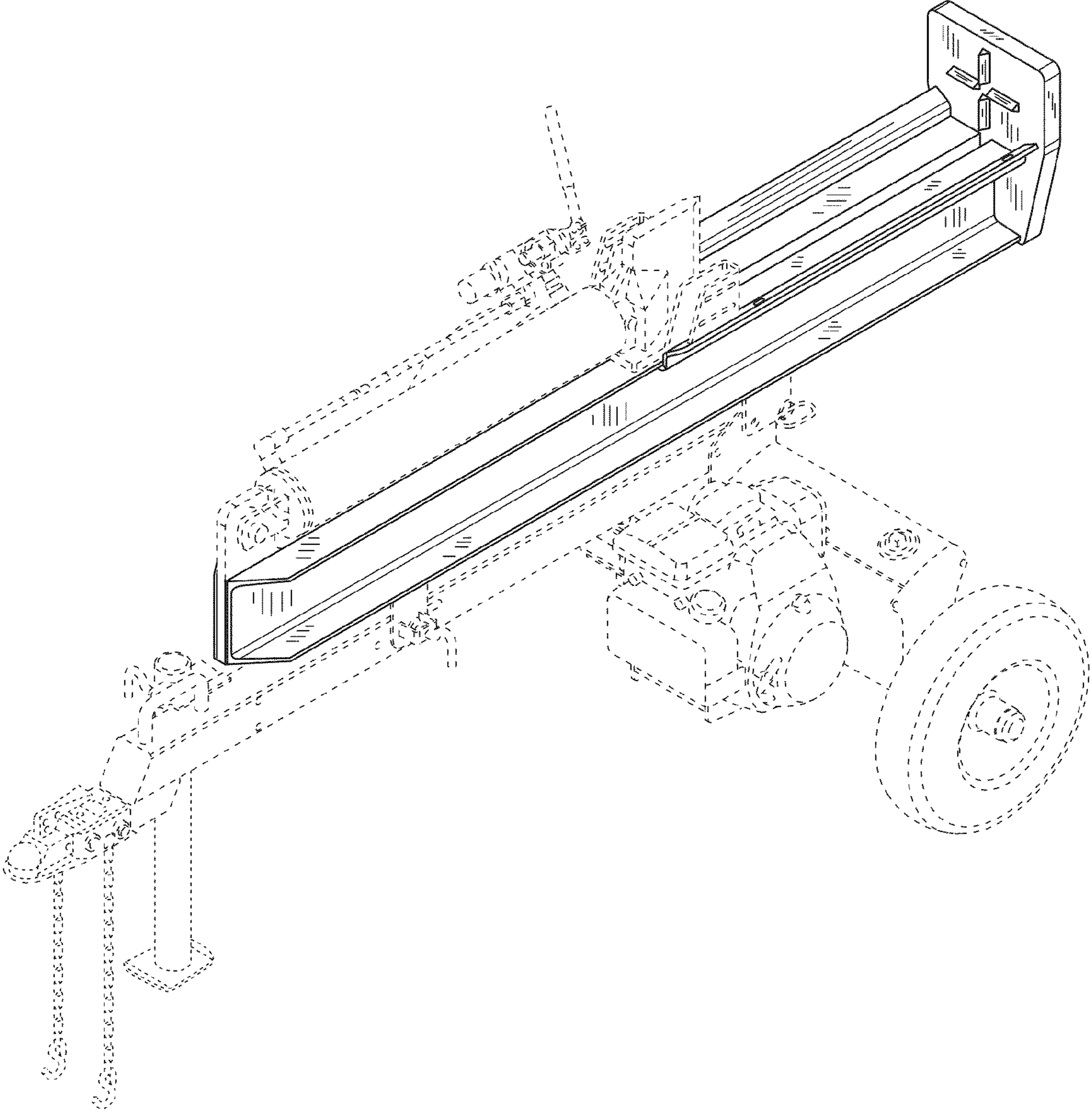


FIG.8

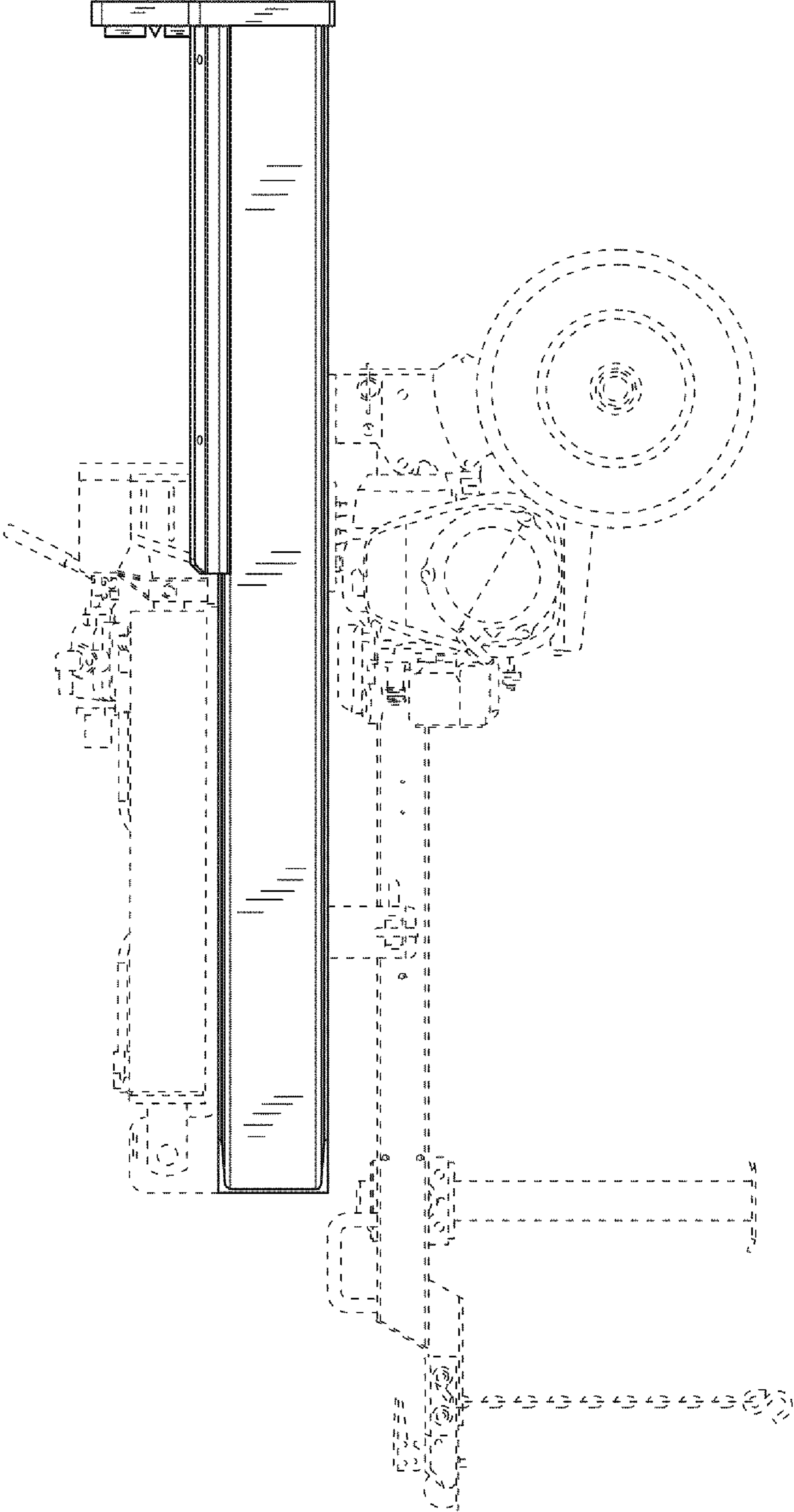


FIG. 9

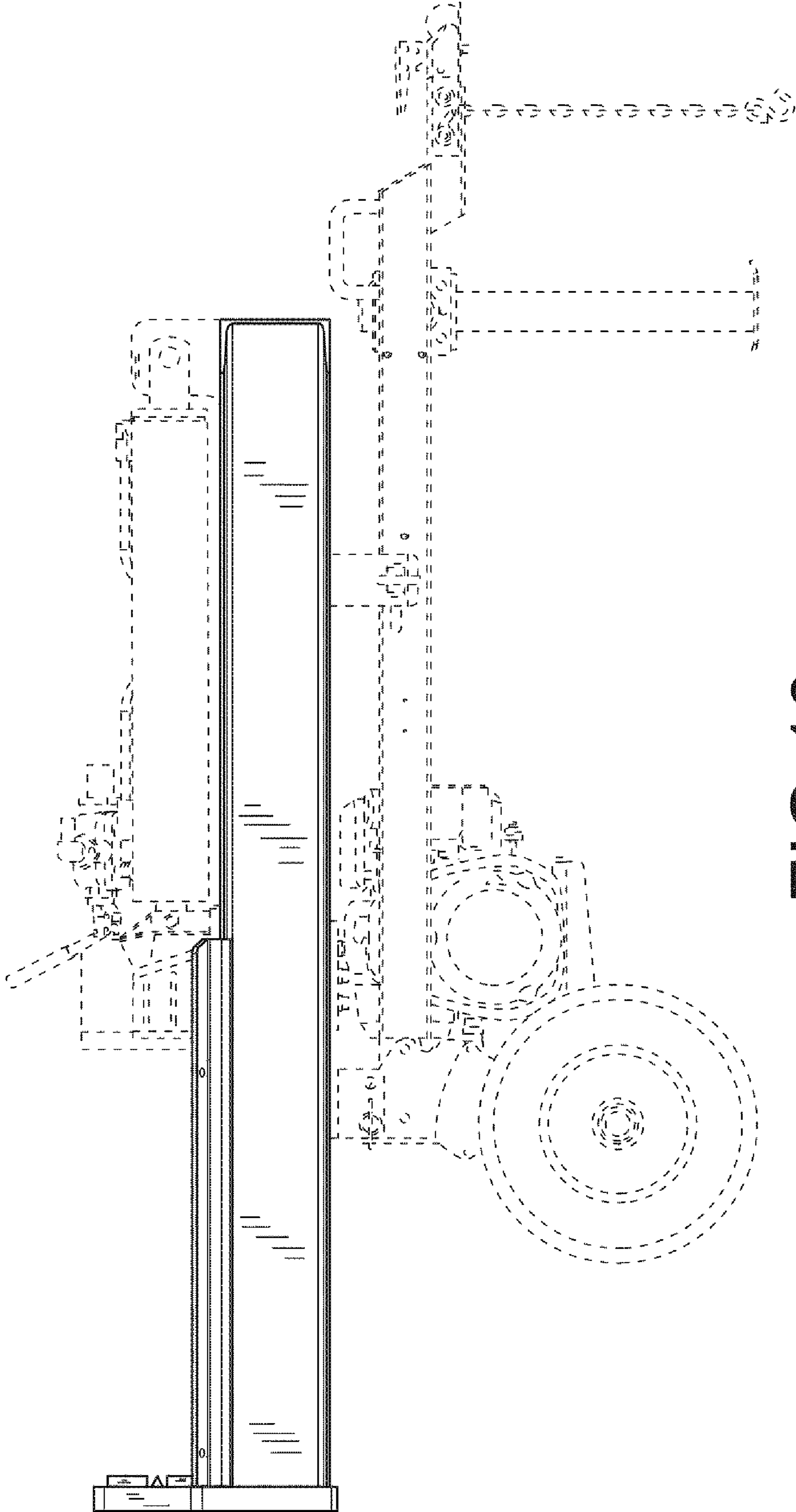


FIG.10

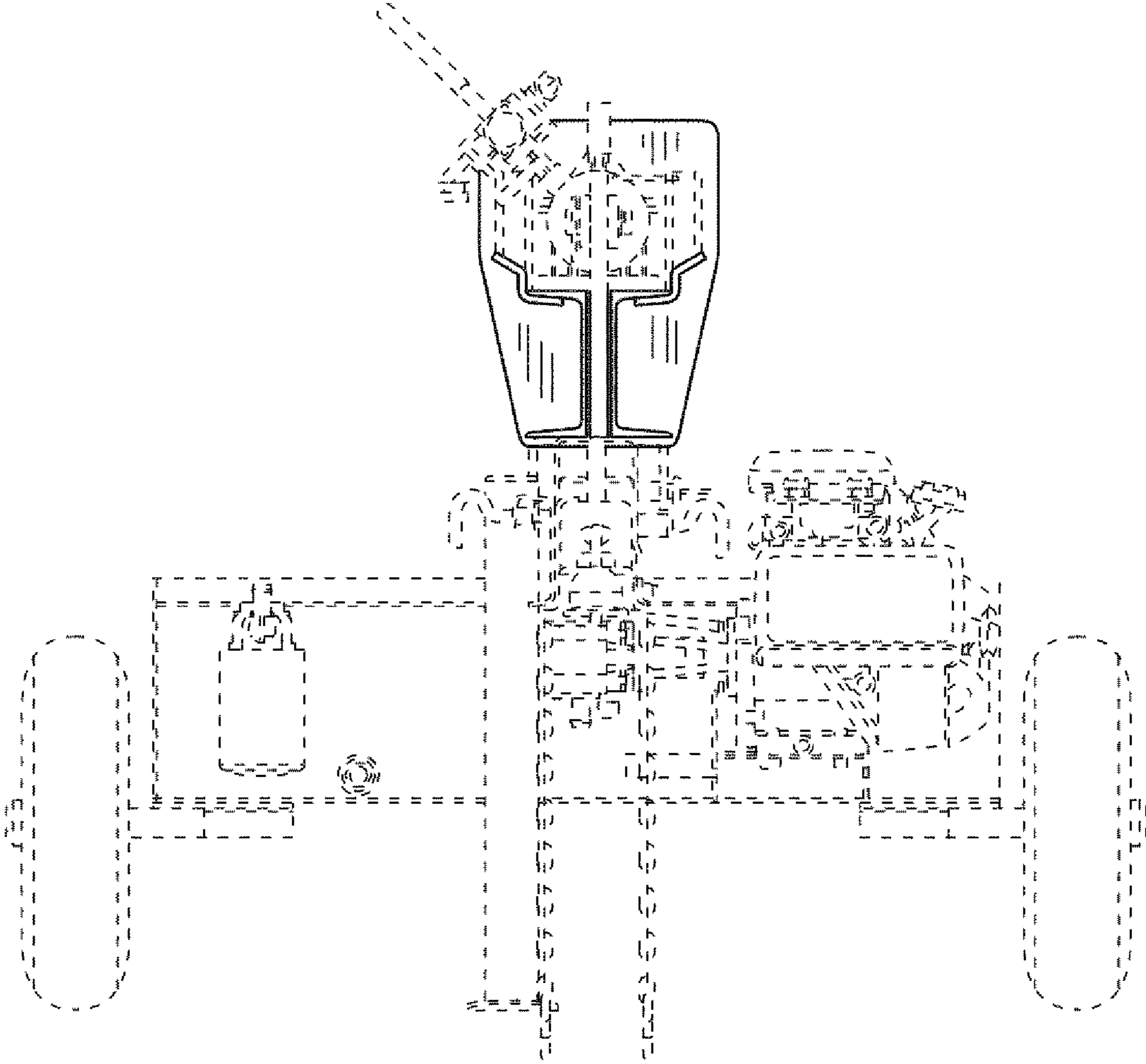


FIG. 11

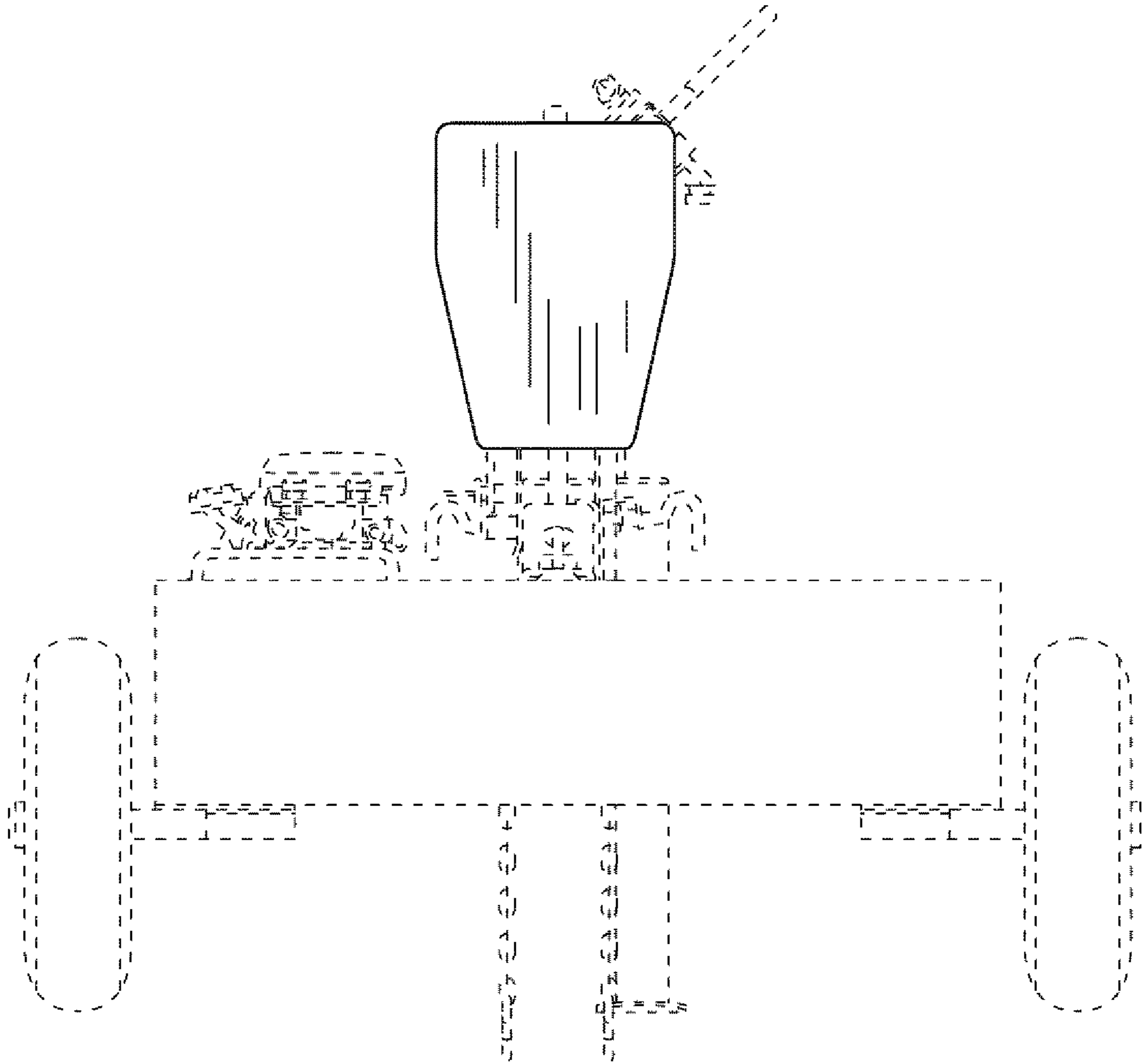


FIG. 12

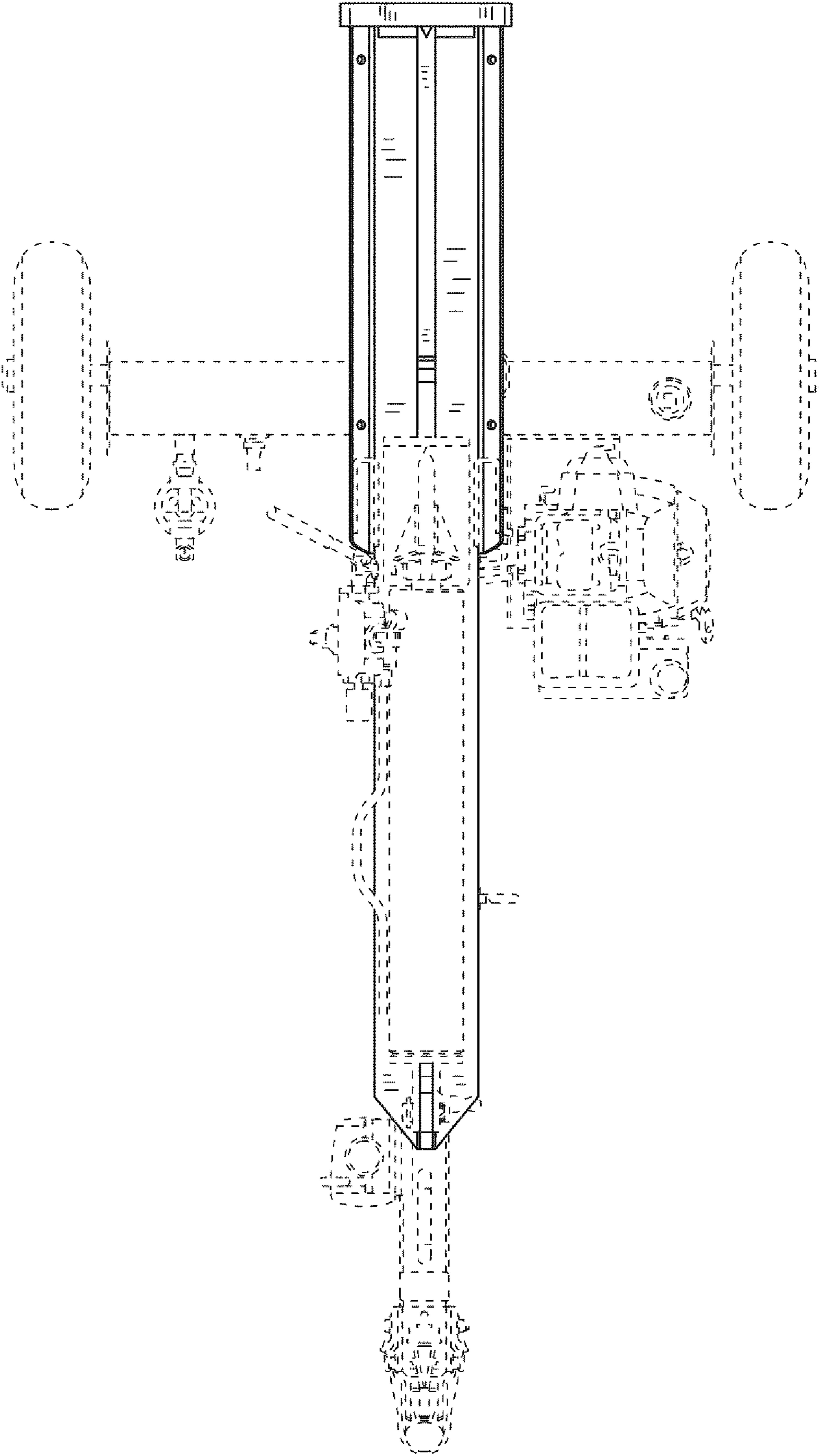


FIG.13

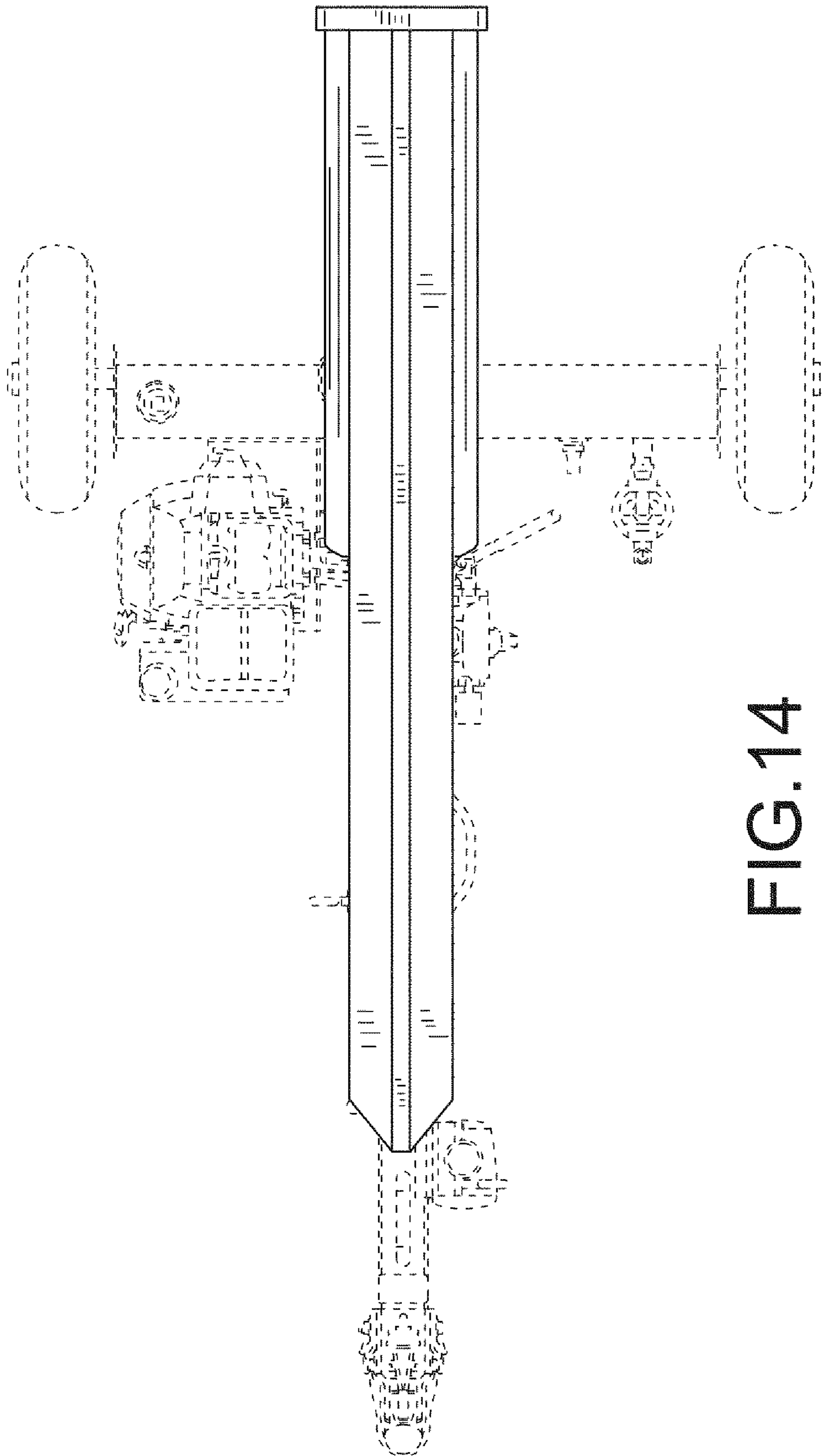


FIG.14