



US00D648760S

(12) **United States Design Patent**
Banjo et al.

(10) **Patent No.:** **US D648,760 S**

(45) **Date of Patent:** **** Nov. 15, 2011**

(54) **LOG SPLITTING DEVICE**

(75) Inventors: **Daniel Banjo**, Boulder, CO (US);
Jonathan Harrach-Salazar, Erie, CO (US)

(73) Assignee: **Blount, Inc.**, Portland, OR (US)

(**) Term: **14 Years**

(21) Appl. No.: **29/393,171**

(22) Filed: **May 31, 2011**

(51) **LOC (9) Cl.** **15-09**

(52) **U.S. Cl.** **D15/127**

(58) **Field of Classification Search** D3/281,
D3/294, 905; D15/127, 133, 199; 83/468.1,
83/471.2, 471.3, 477.2, 486.1, 574, 701,
83/928; 108/19; 144/193.1–195.6, 286.5,
144/287, 366; 269/1

See application file for complete search history.

(56) **References Cited**

U.S. PATENT DOCUMENTS

D253,654	S	*	12/1979	Davis	D15/127
D281,033	S	*	10/1985	Mohri	D3/295
D285,414	S	*	9/1986	Goetz et al.	D9/420
4,700,759	A	*	10/1987	Duerr	144/195.1
4,782,870	A	*	11/1988	Duerr	144/195.1
D326,665	S	*	6/1992	Greenburg et al.	D15/127
5,282,501	A	*	2/1994	Miller, III	144/4.6
5,337,810	A	*	8/1994	McCormack	144/195.1
5,373,877	A	*	12/1994	Chapman	144/195.1
D381,994	S	*	8/1997	Weirick	D15/127
D509,231	S	*	9/2005	Hickenbottom	D15/127
D528,570	S	*	9/2006	Lewis et al.	D15/127
D544,505	S	*	6/2007	VanderBurgh et al.	D15/127

7,334,615	B2	*	2/2008	Paradise	144/193.2
D585,915	S	*	2/2009	Feng	D15/127
D617,354	S	*	6/2010	Banjo et al.	D15/127
D624,316	S	*	9/2010	Ferber et al.	D3/294
2004/0250895	A1	*	12/2004	Marx	144/193.1
2005/0284541	A1	*	12/2005	Walker et al.	144/193.2
2008/0251158	A1	*	10/2008	Koch	144/366
2009/0229709	A1	*	9/2009	Babcock	144/195.1
2010/0024919	A1	*	2/2010	Majkrzak	144/195.1

* cited by examiner

Primary Examiner — Patricia Palasik

(74) *Attorney, Agent, or Firm* — Sheridan Ross P.C.

(57) **CLAIM**

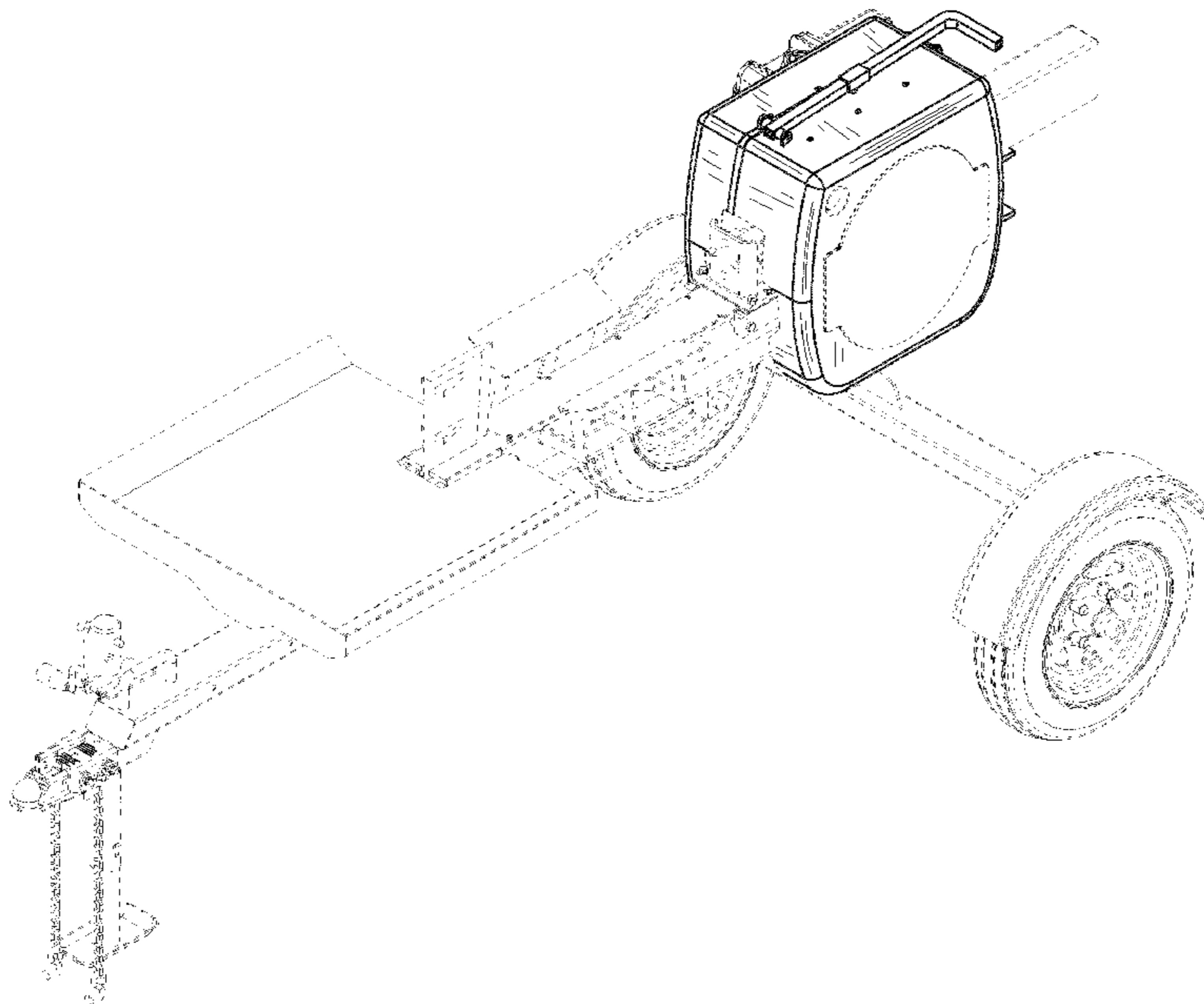
The ornamental design for a log splitting device, as shown and described.

DESCRIPTION

FIG. 1 is a front perspective view of a log splitting device; FIG. 2 is a rear elevation view thereof; FIG. 3 is a left elevation view thereof; FIG. 4 is right elevation view thereof; FIG. 5 is a front elevation view thereof; FIG. 6 is a top plan view thereof; FIG. 7 is a bottom plan view thereof; FIG. 8 is an enlarged detail front perspective view thereof; and, FIG. 9 is an enlarged detail perspective view of an alternative embodiment.

The broken lines showing a log splitting device are included for the purpose of illustrating environment and form no part of the claimed design.

1 Claim, 9 Drawing Sheets



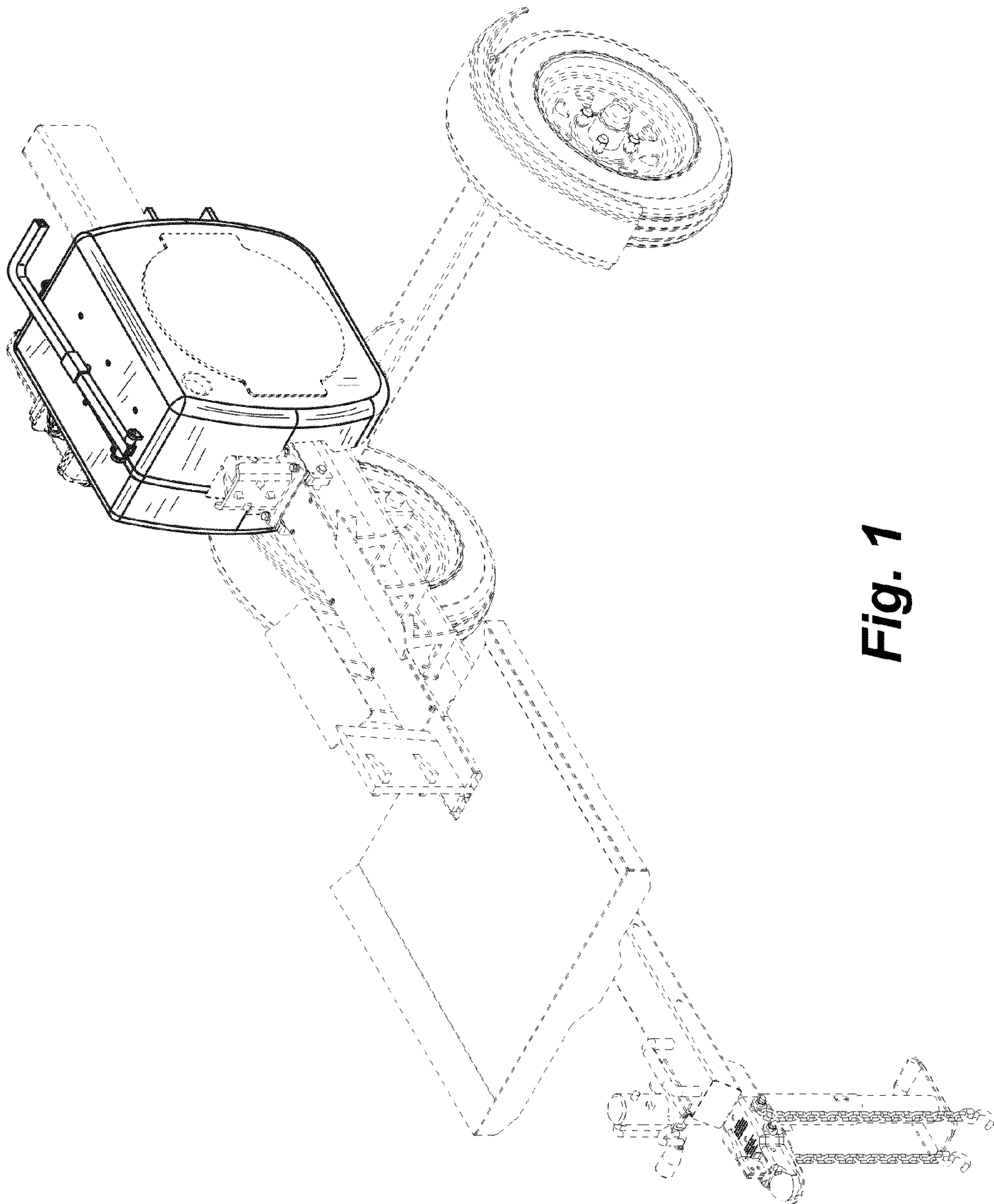


Fig. 1

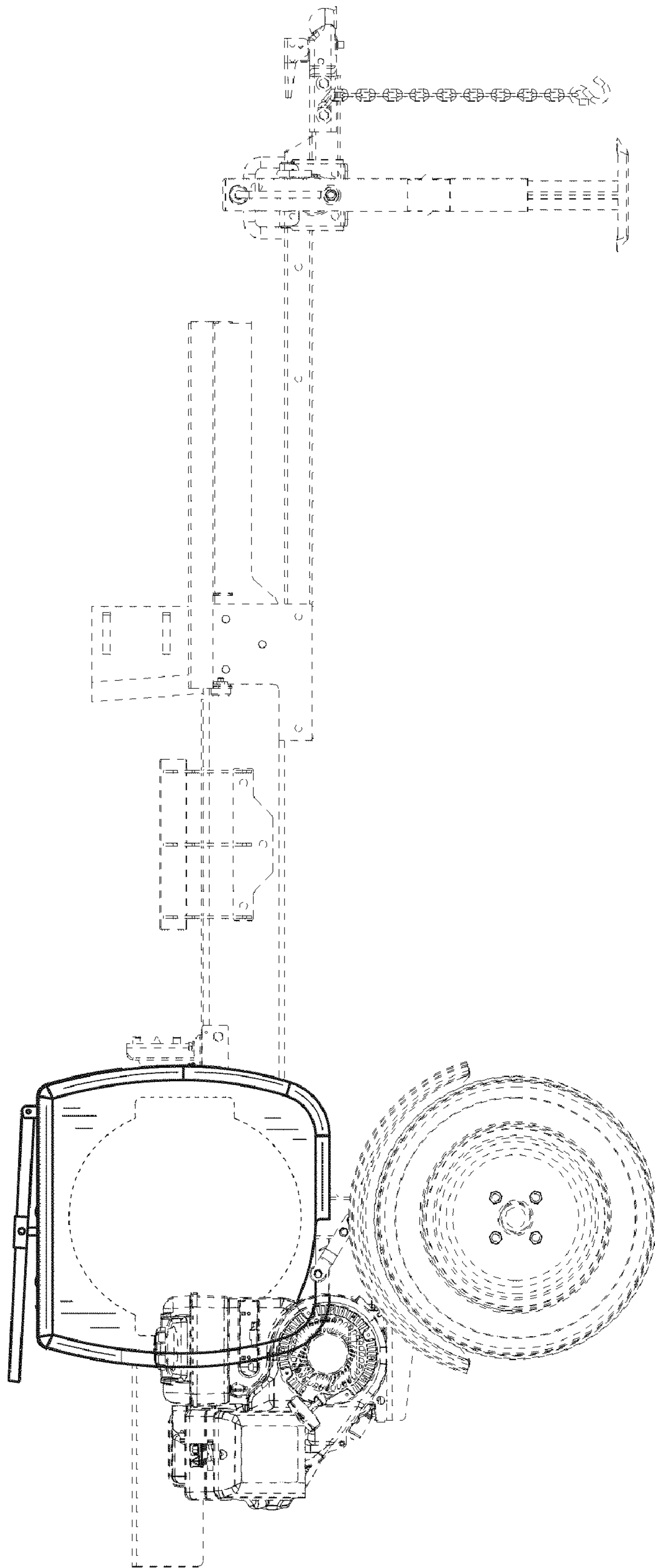


Fig. 2

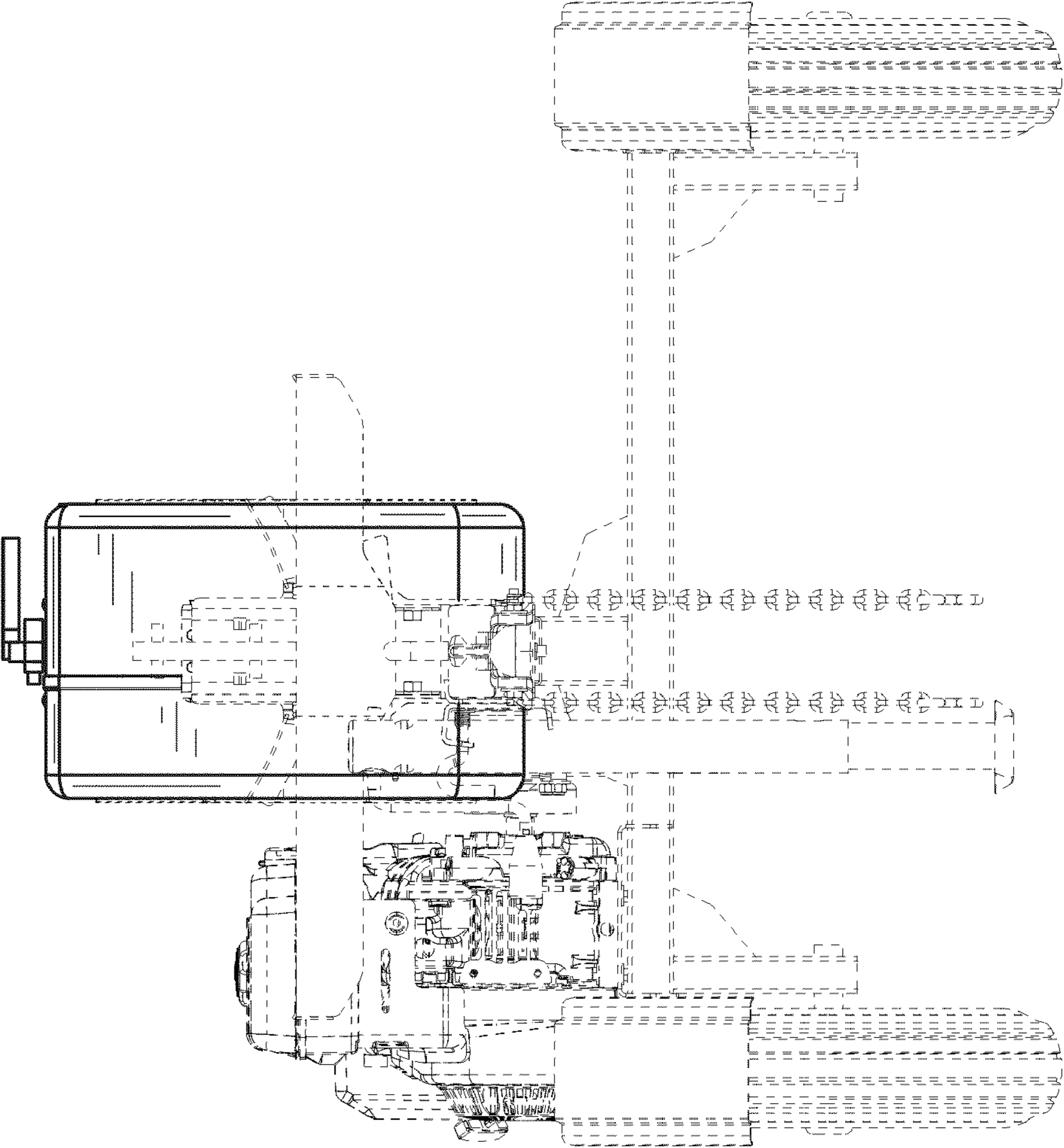


Fig. 3

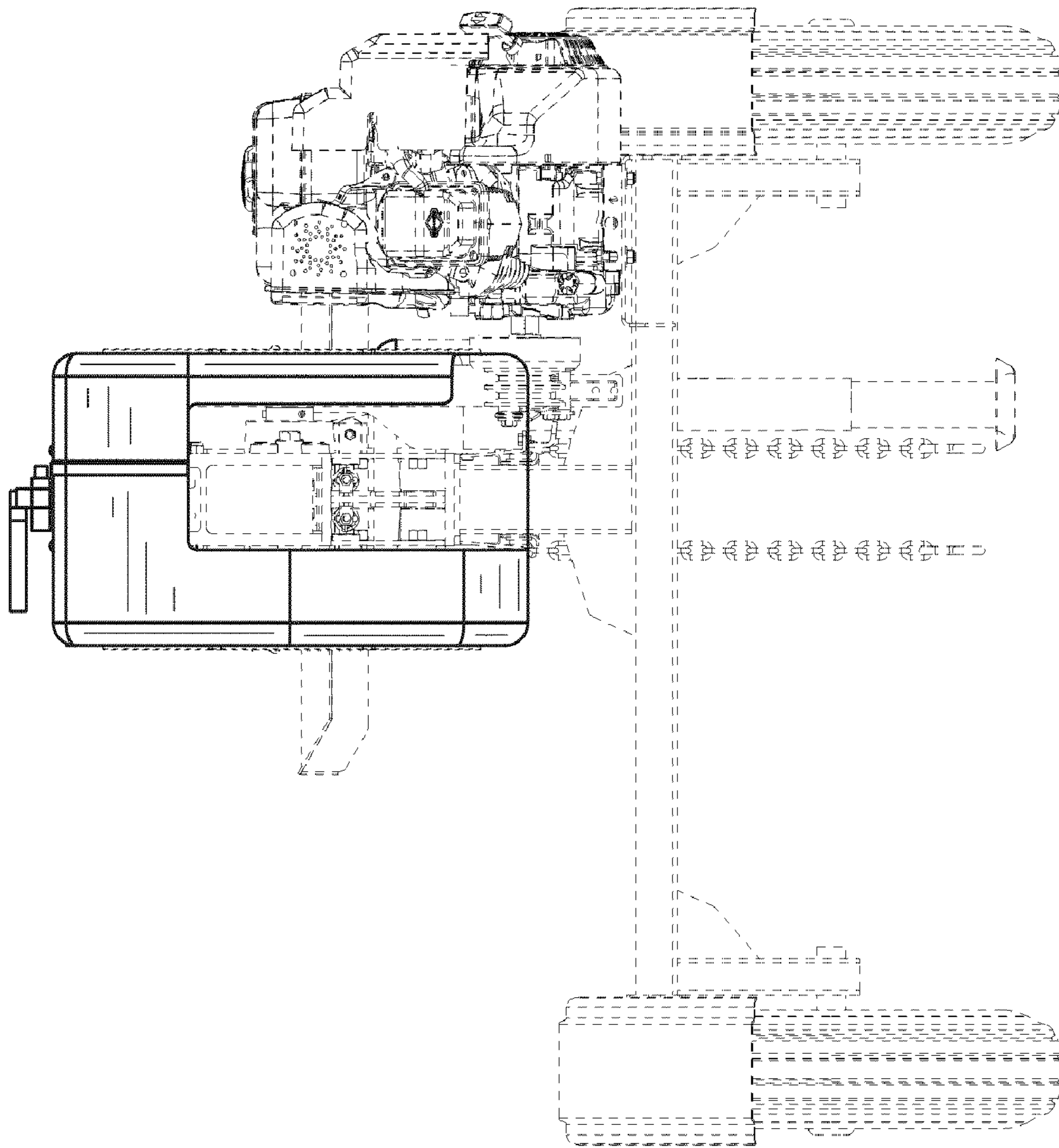


Fig. 4

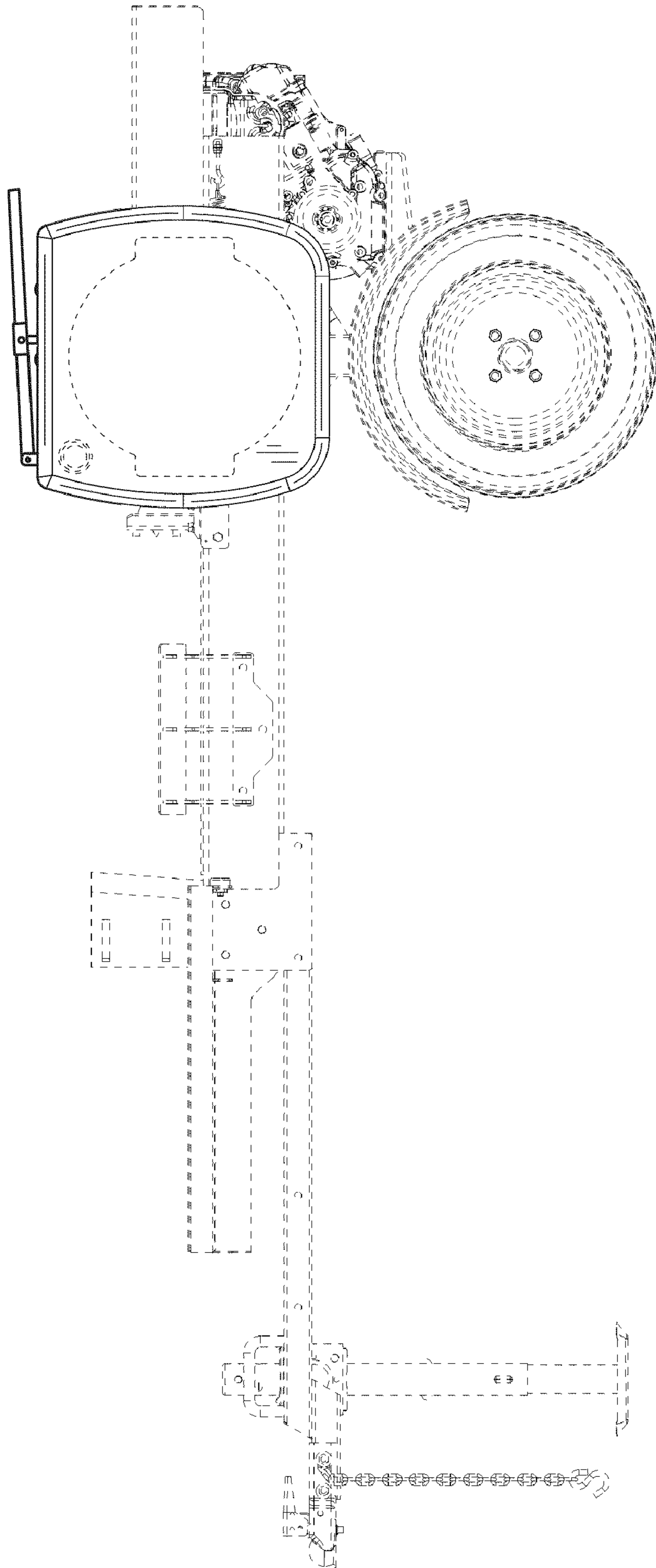


Fig. 5

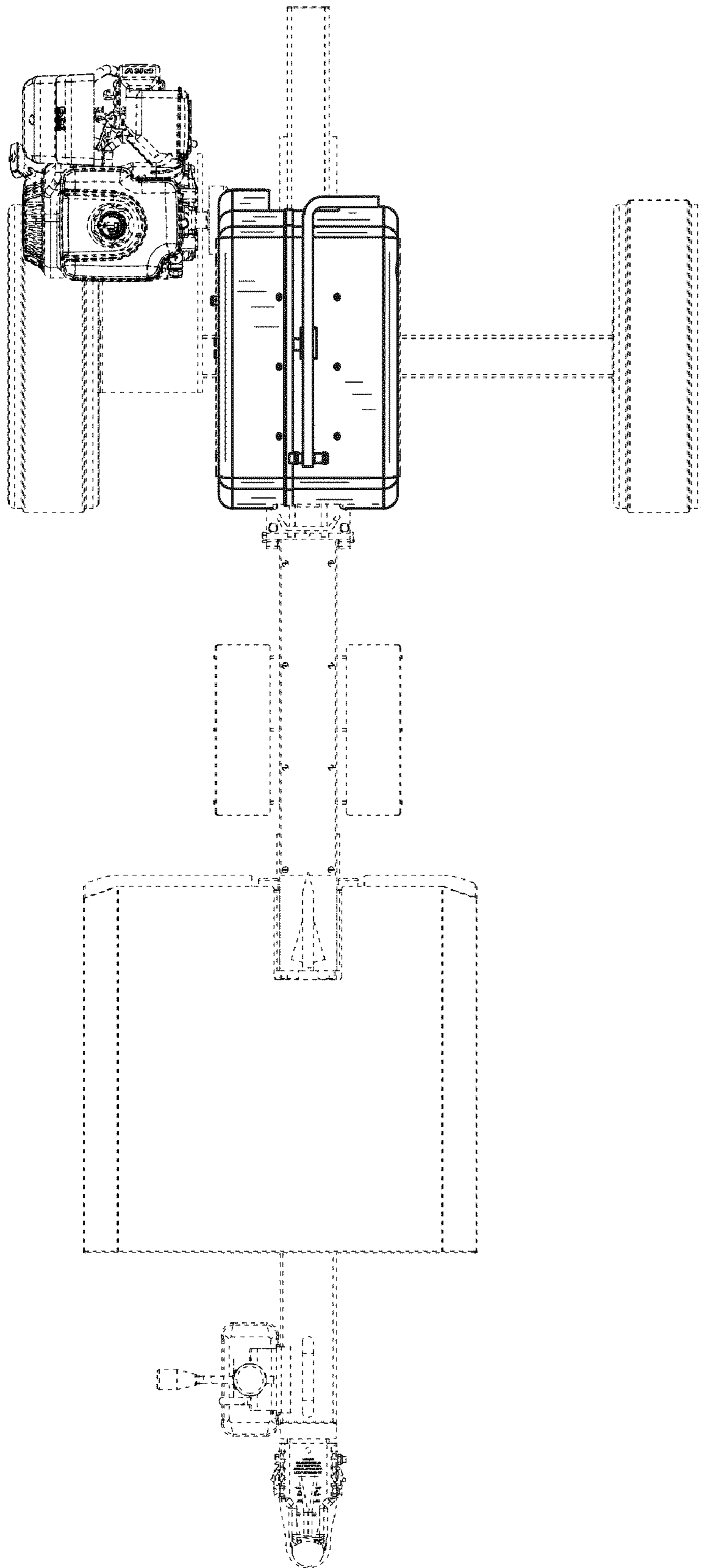


Fig. 6

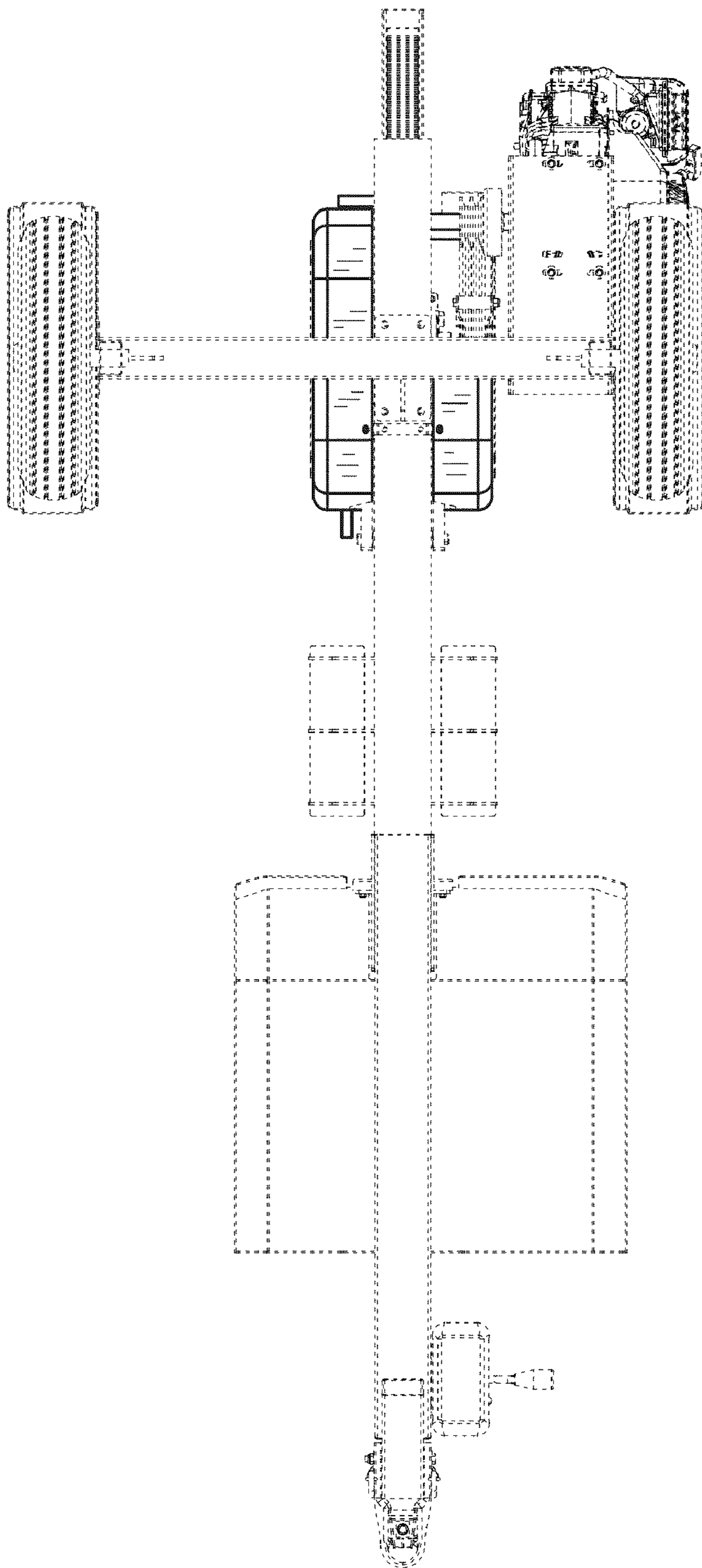


Fig. 7

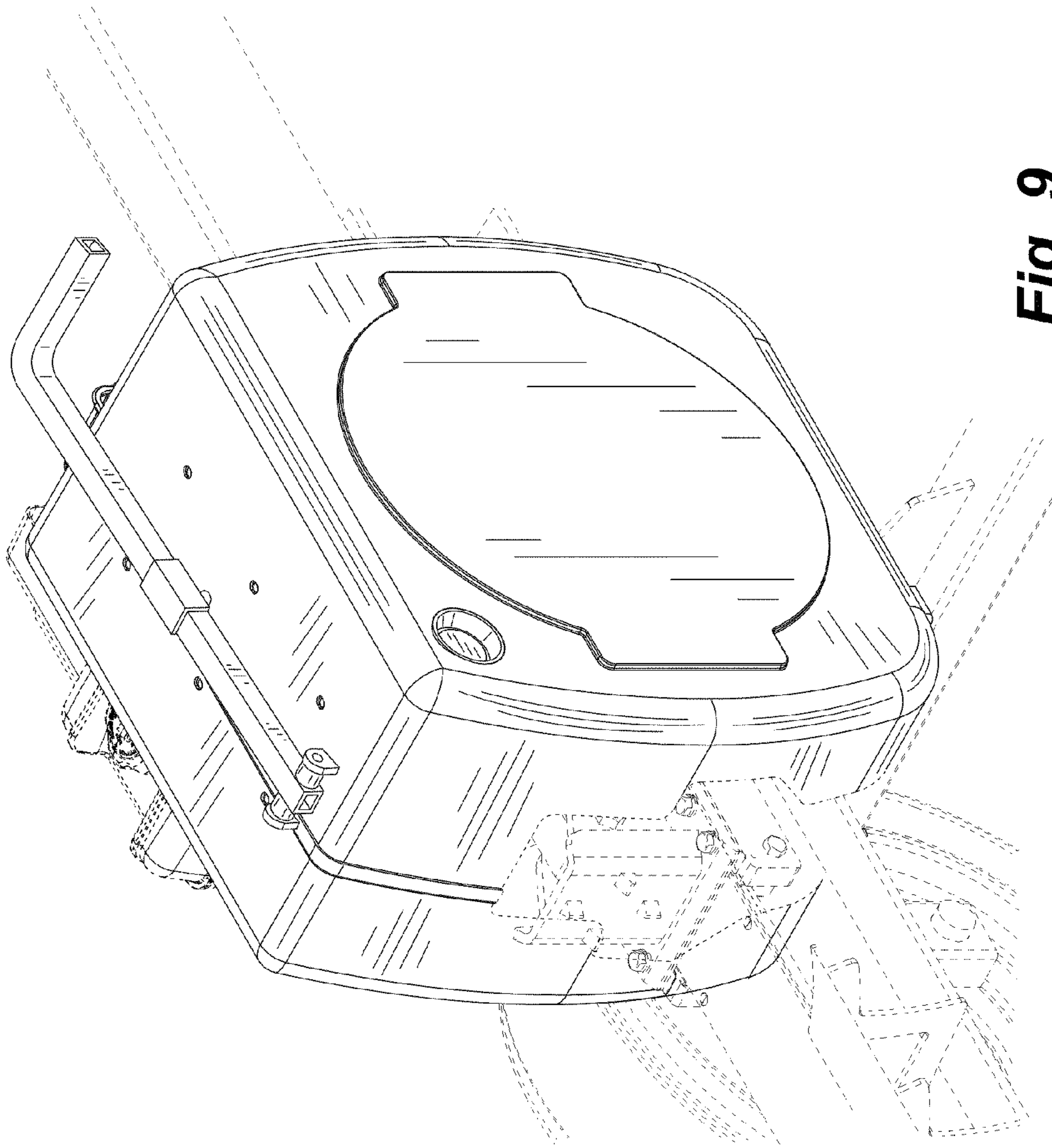


Fig. 9