



US00D648759S

(12) **United States Design Patent**
Fujihara

(10) **Patent No.:** **US D648,759 S**

(45) **Date of Patent:** **** Nov. 15, 2011**

(54) **EMBROIDERY MACHINE**

(75) Inventor: **Shinya Fujihara, Obu (JP)**

(73) Assignee: **Brother Industries, Ltd., Nagoya (JP)**

(**) Term: **14 Years**

(21) Appl. No.: **29/362,929**

(22) Filed: **Jun. 2, 2010**

(30) **Foreign Application Priority Data**

Dec. 2, 2009 (JP) 2009-28125

(51) **LOC (9) Cl.** **15-06**

(52) **U.S. Cl.** **D15/72**

(58) **Field of Classification Search** D15/66-78;
112/2, 63, 78, 154, 217.1-217.4, 225, 302,
112/475.01, 255-261, 102.5, 103

See application file for complete search history.

(56) **References Cited**

U.S. PATENT DOCUMENTS

D474,785 S * 5/2003 Carter et al. D15/66

D492,702 S * 7/2004 Suwa et al. D15/66

D565,608 S * 4/2008 Hirate et al. D15/72

D632,705 S * 2/2011 Fujihara D15/66

2010/0236463 A1* 9/2010 Fujihara et al. 112/470.05

* cited by examiner

Primary Examiner — Mitchell Siegel

(74) *Attorney, Agent, or Firm* — Oliff & Berridge, PLC

(57) **CLAIM**

The ornamental design for an embroidery machine, as shown and described.

DESCRIPTION

FIG. 1 is a perspective view of an embroidery machine;

FIG. 2 is a front view thereof;

FIG. 3 is a top view thereof;

FIG. 4 is a right-side view thereof;

FIG. 5 is a rear view thereof;

FIG. 6 is a bottom view thereof;

FIG. 7 is an enlarged cross sectional view thereof, the cross section taken along lines C-C in FIG. 3, and the enlargement defined by lines A-A in FIG. 3 and lines B-B in FIG. 4;

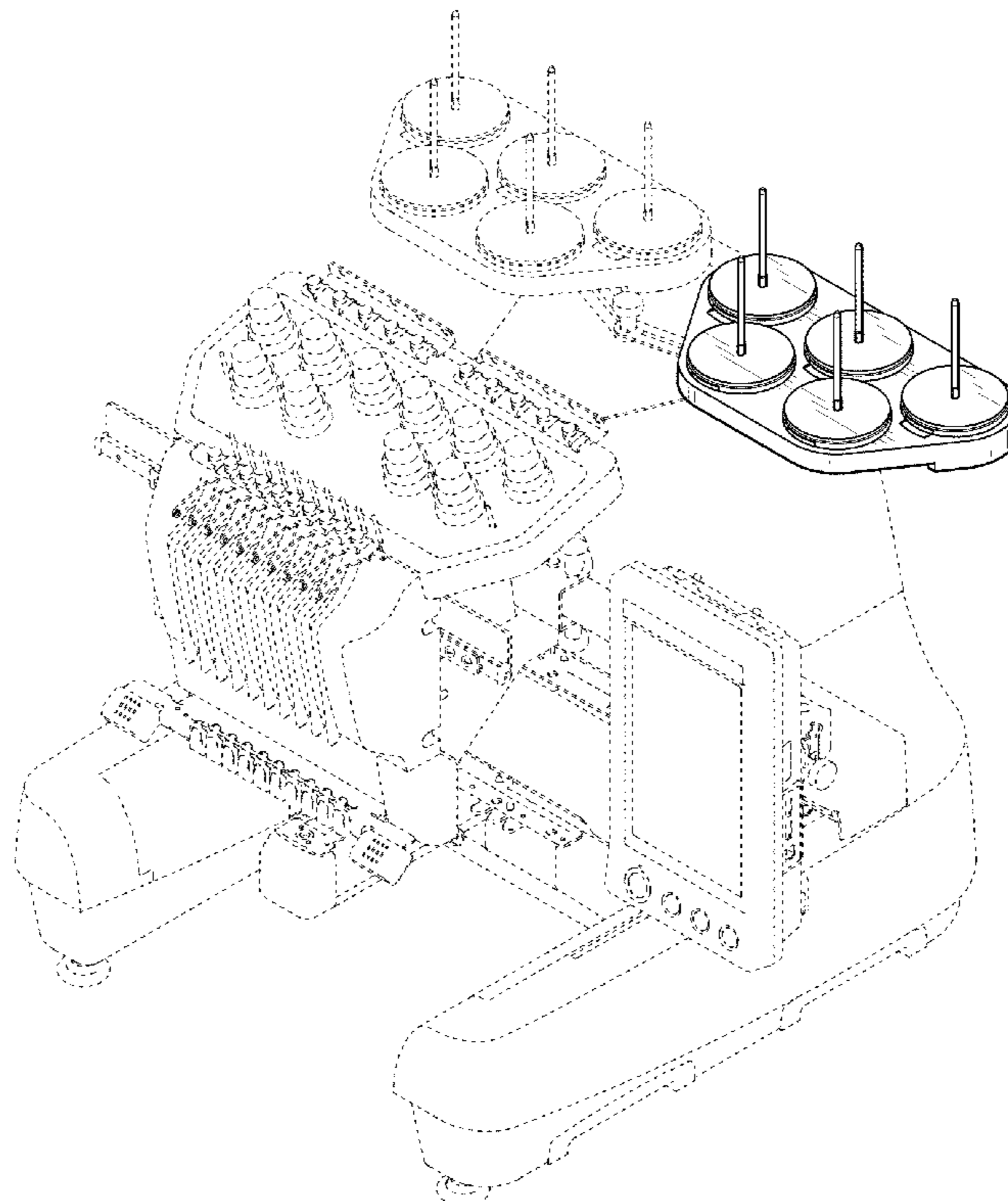
FIG. 8 is an enlarged front view thereof with all broken lines removed;

FIG. 9 is an enlarged left-side view thereof with all broken lines removed; and,

FIG. 10 is an enlarged bottom view thereof with all broken lines removed.

The broken lines depict environmental subject matter only and form no part of the claimed design.

1 Claim, 8 Drawing Sheets



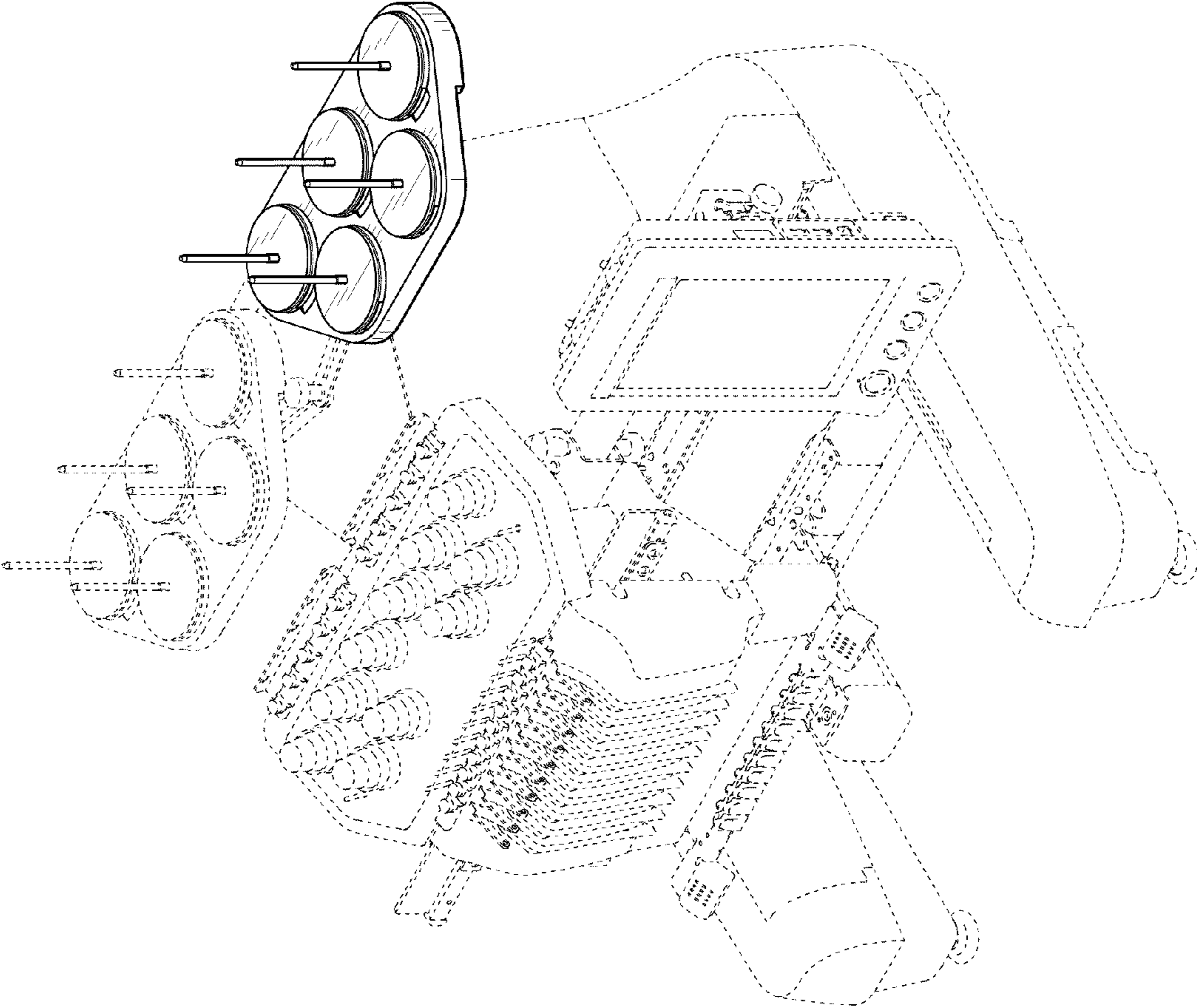


FIG. 1

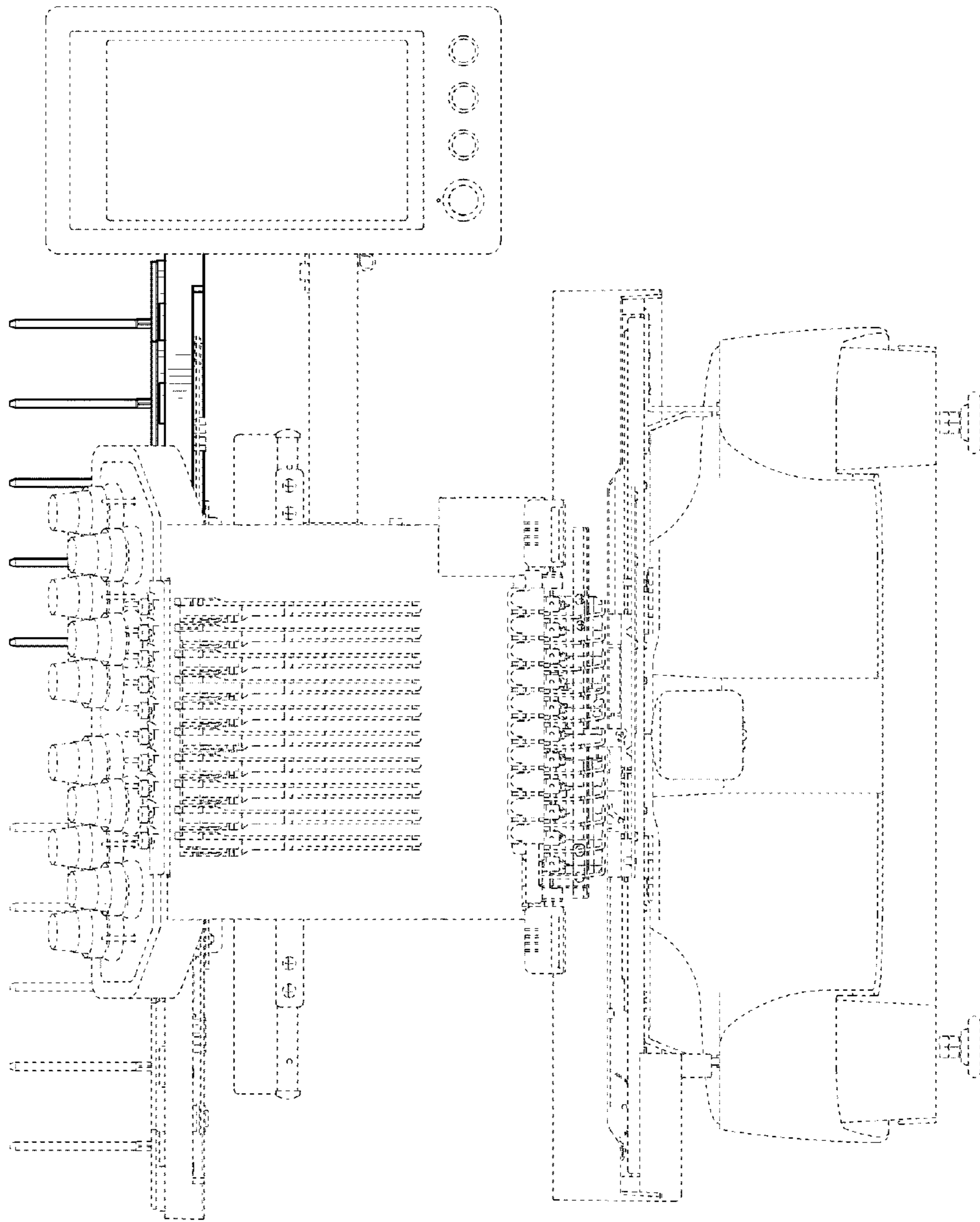


FIG. 2

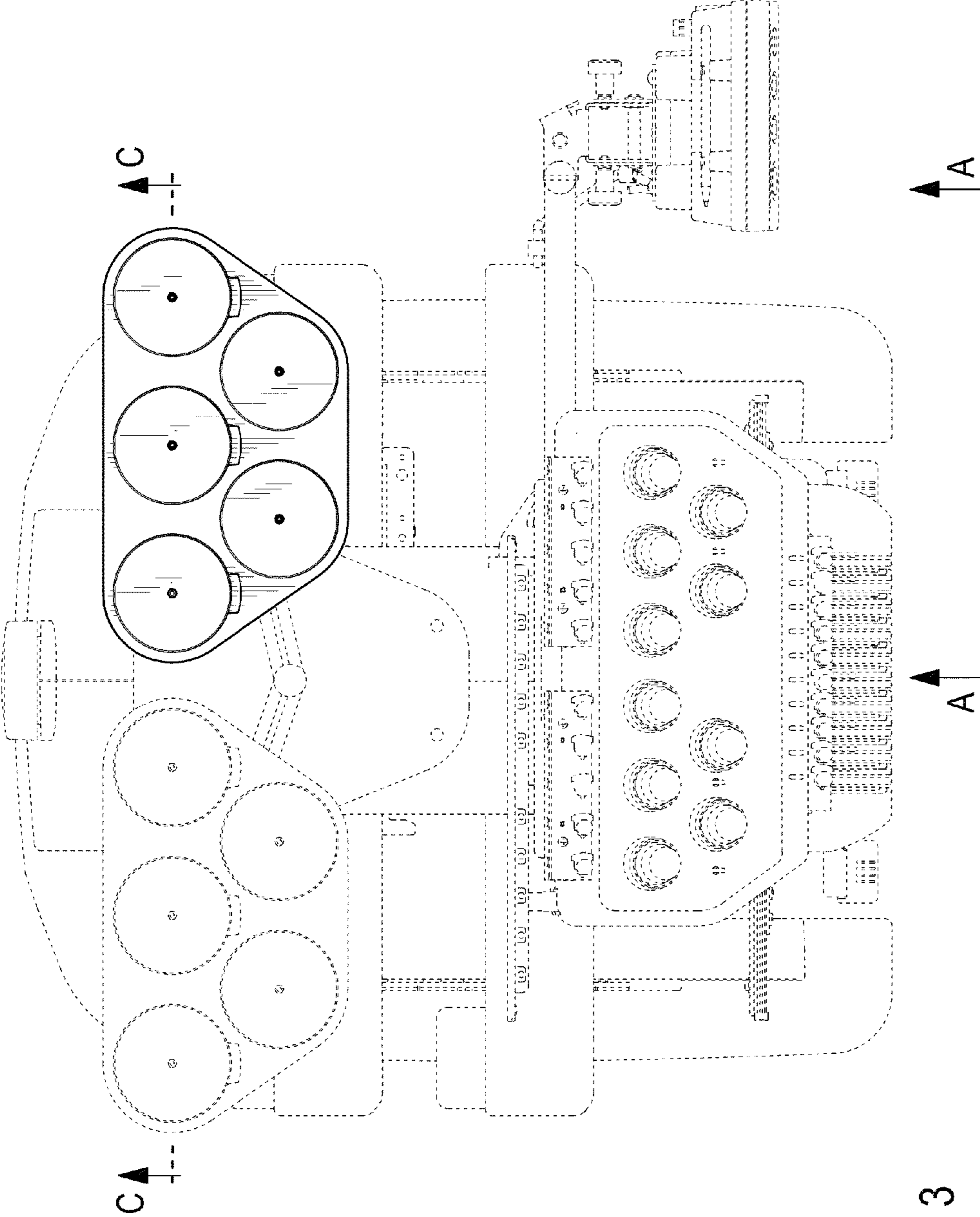


FIG. 3

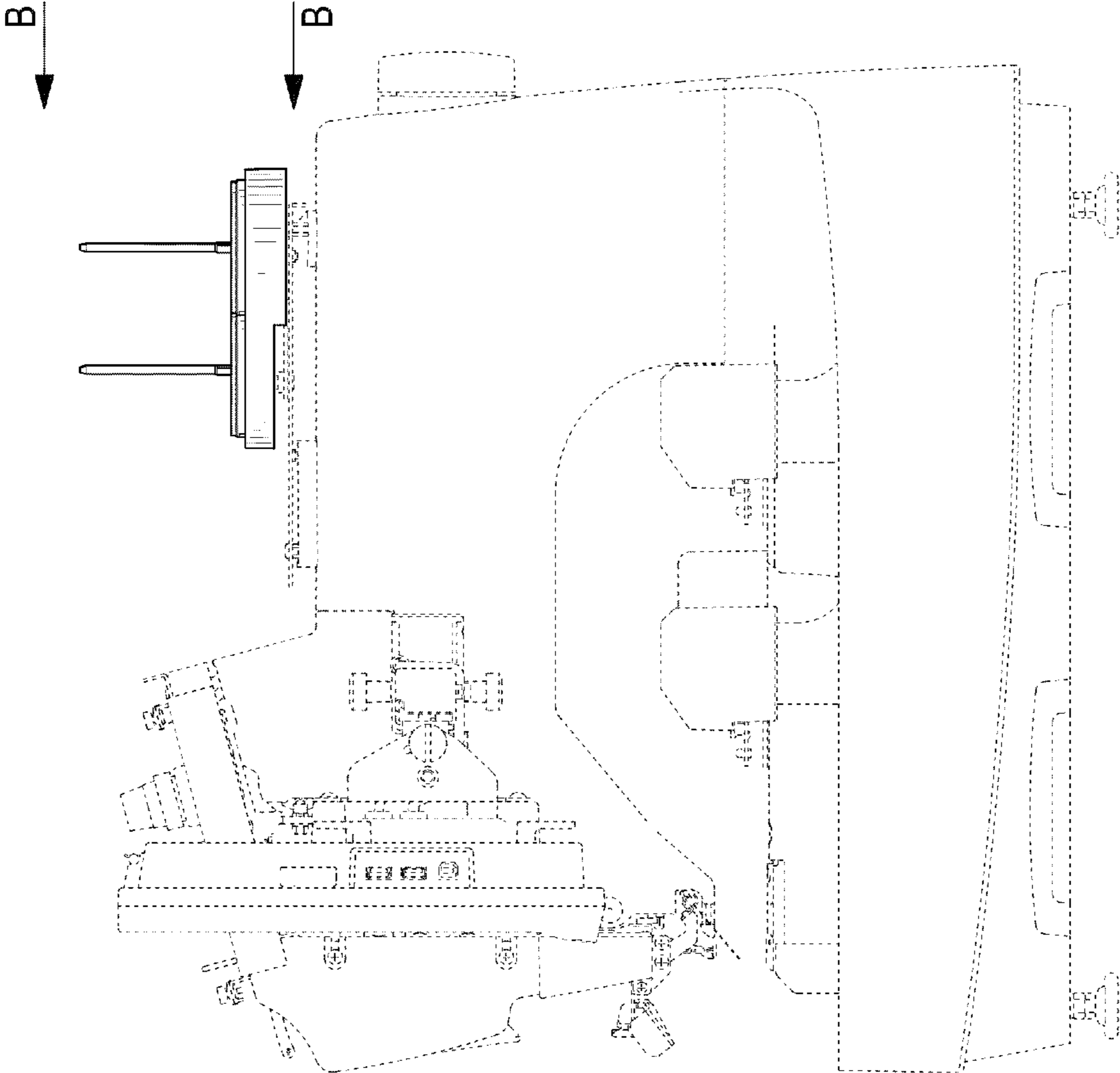


FIG. 4

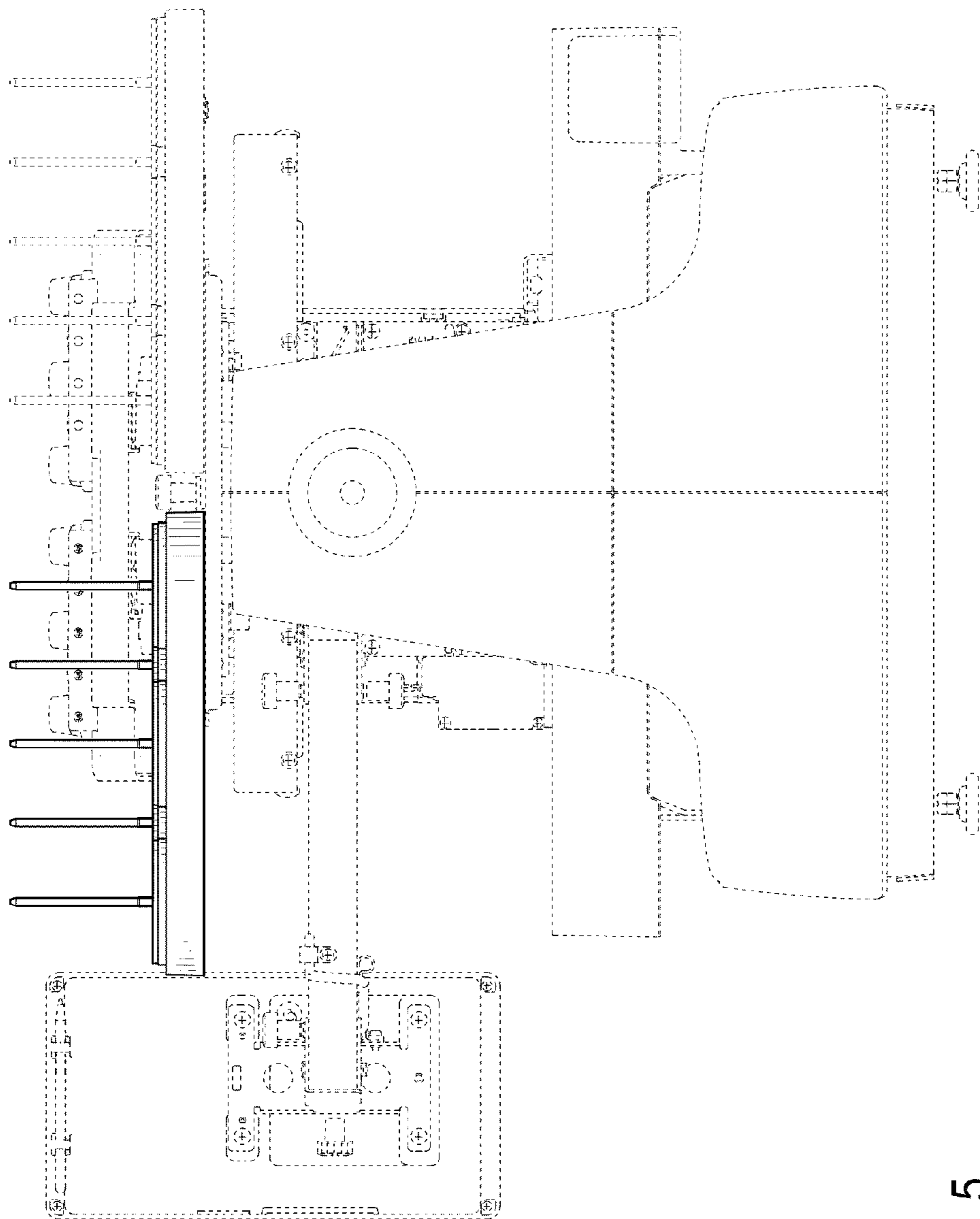


FIG. 5

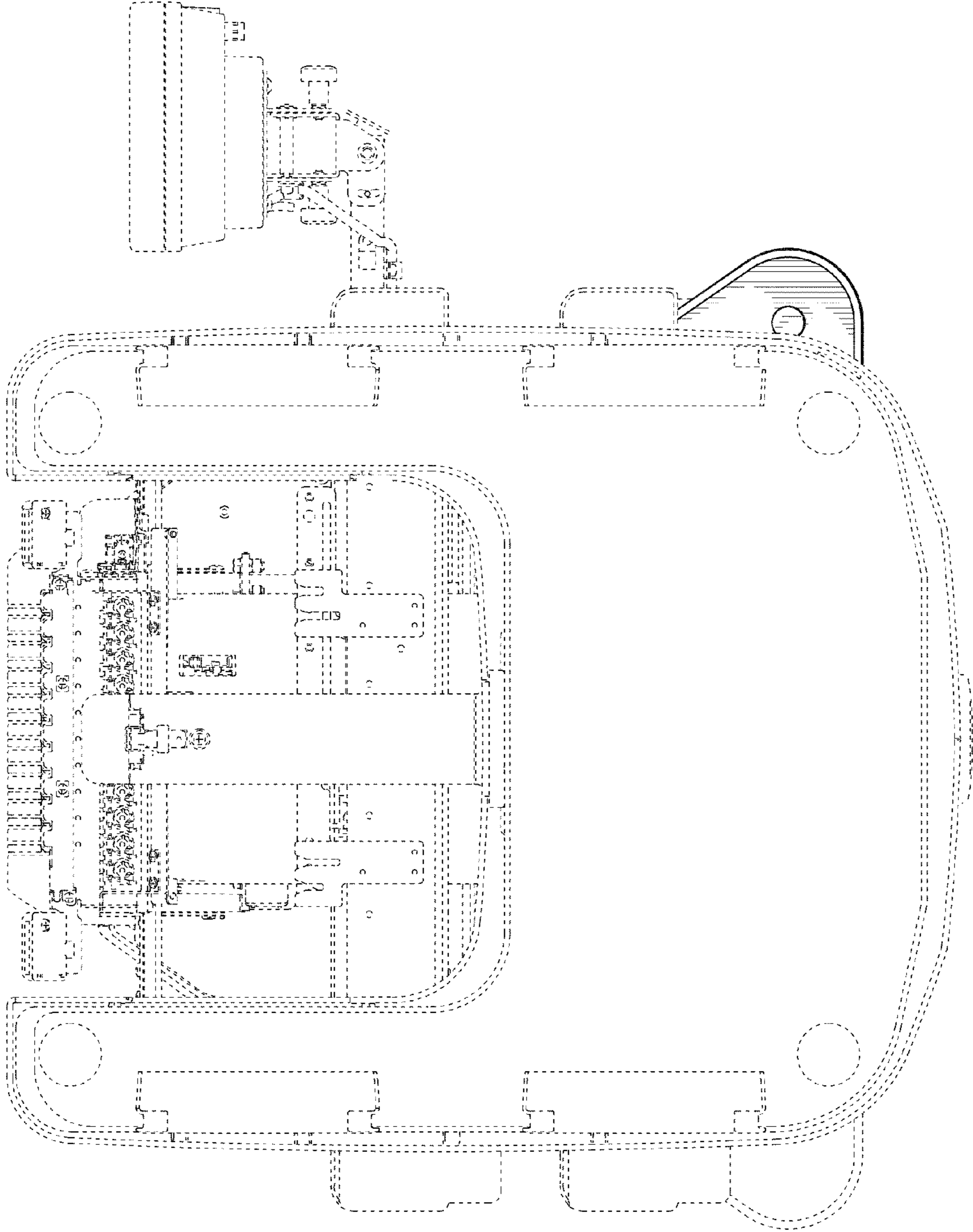


FIG. 6

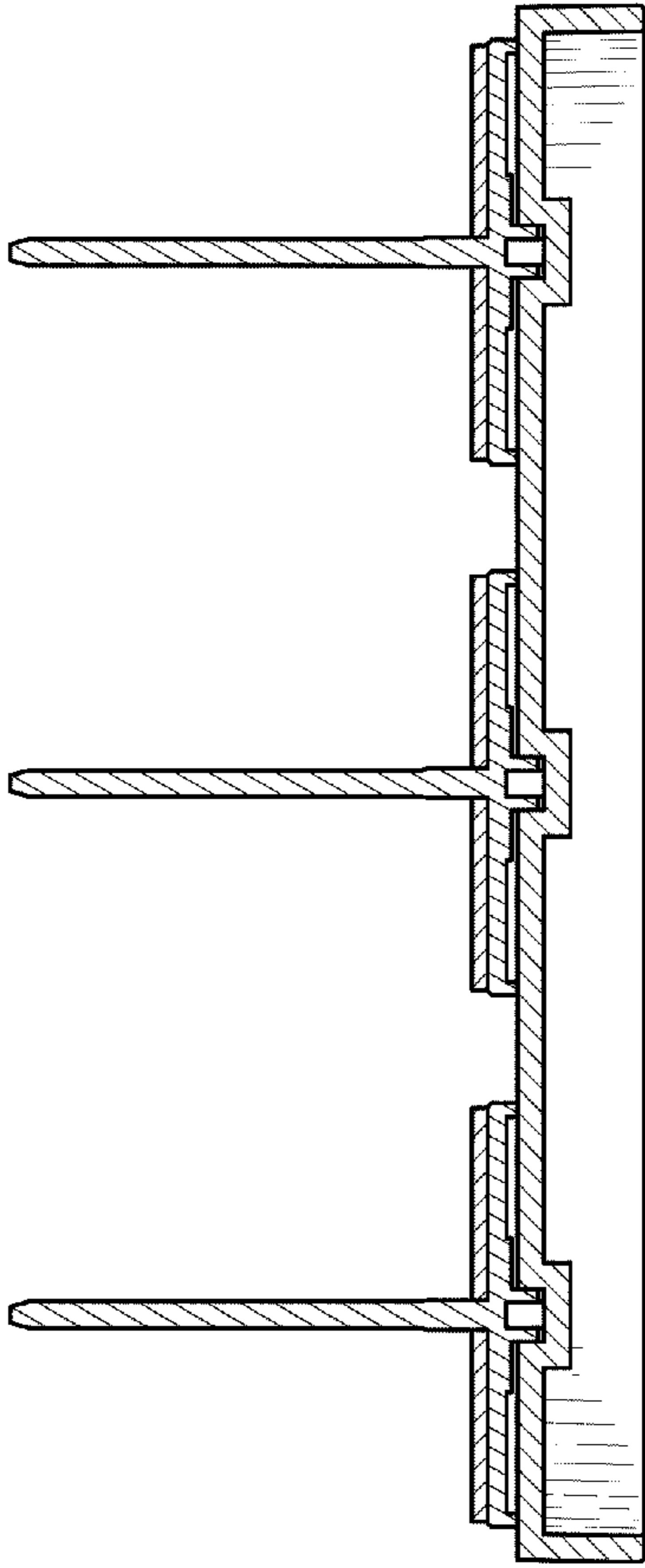


FIG. 7

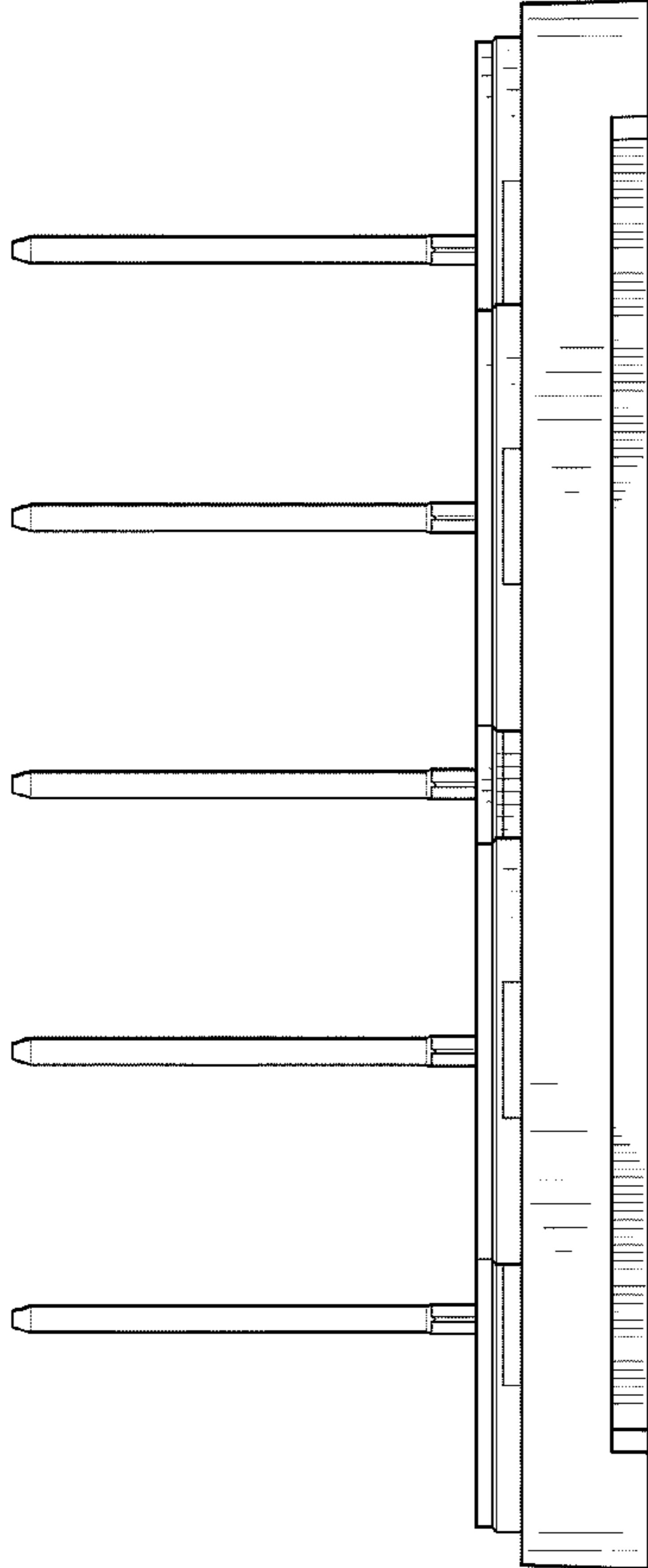


FIG. 8

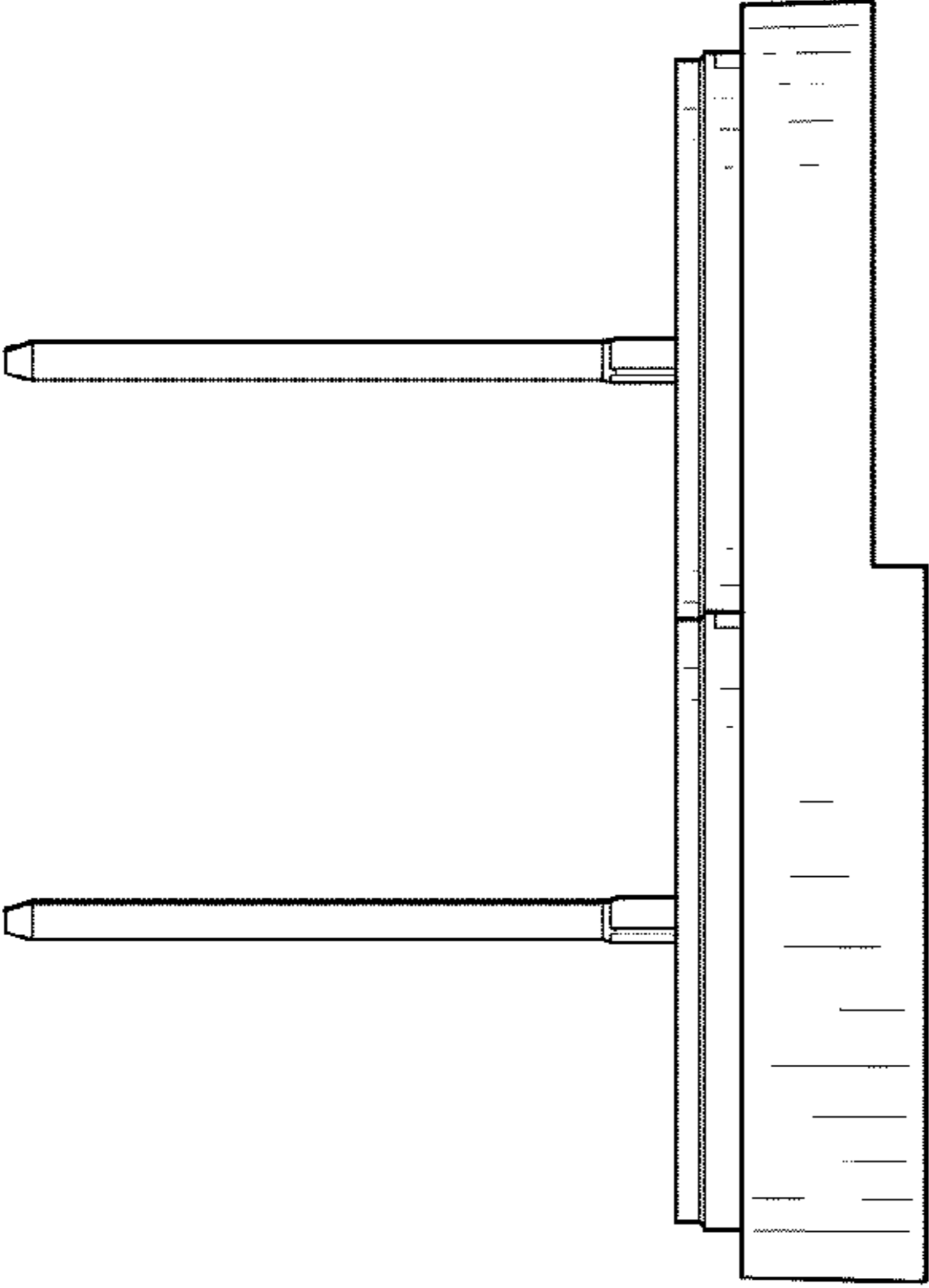


FIG. 9

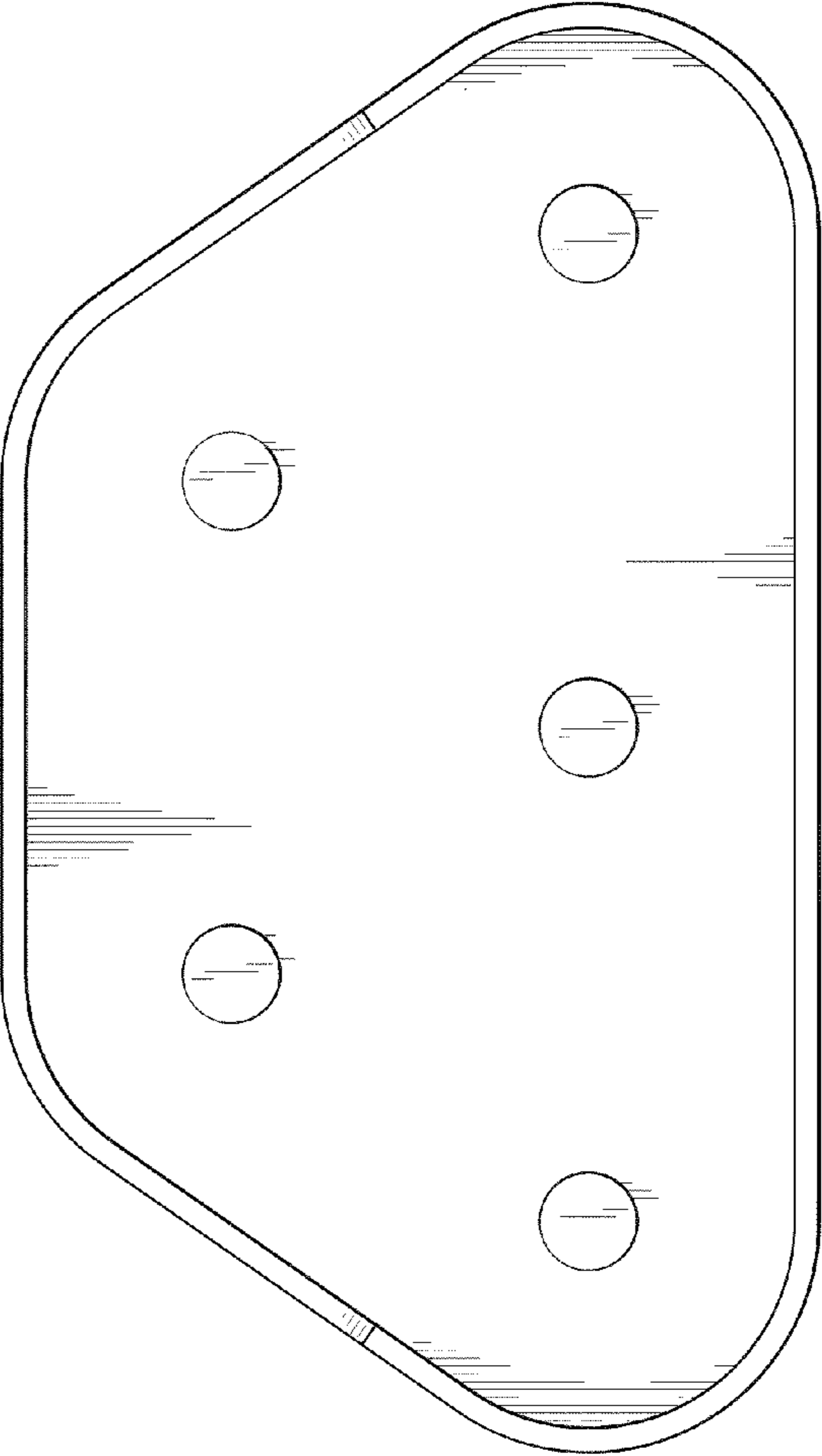


FIG. 10