



US00D648758S

(12) **United States Design Patent**
Muto

(10) **Patent No.:** **US D648,758 S**

(45) **Date of Patent:** **** Nov. 15, 2011**

(54) **SEWING MACHINE**

(75) **Inventor:** **Hideki Muto**, Tokyo (JP)

(73) **Assignee:** **Janome Sewing Machine Company Limited**, Tokyo (JP)

(**) **Term:** **14 Years**

(21) **Appl. No.:** **29/371,174**

(22) **Filed:** **Nov. 12, 2010**

(30) **Foreign Application Priority Data**

Jul. 13, 2010 (JP) 2010-16995

(51) **LOC (9) Cl.** **15-06**

(52) **U.S. Cl.** **D15/69**

(58) **Field of Classification Search** D15/66-78;
112/2, 63, 78, 154, 217.1-217.4, 475.01,
112/256-261

See application file for complete search history.

(56) **References Cited**

U.S. PATENT DOCUMENTS

D289,654 S *	5/1987	Uchida	D15/69
D291,999 S *	9/1987	Yoneda	D15/69
D509,516 S *	9/2005	Kuroki	D15/70
D523,030 S *	6/2006	Muto	D15/69
D524,829 S *	7/2006	Muto	D15/69
D594,481 S *	6/2009	Inada	D15/69
D628,605 S *	12/2010	Mutoh	D15/69

* cited by examiner

Primary Examiner — Mitchell Siegel

(74) *Attorney, Agent, or Firm* — Jacobson Holman PLLC

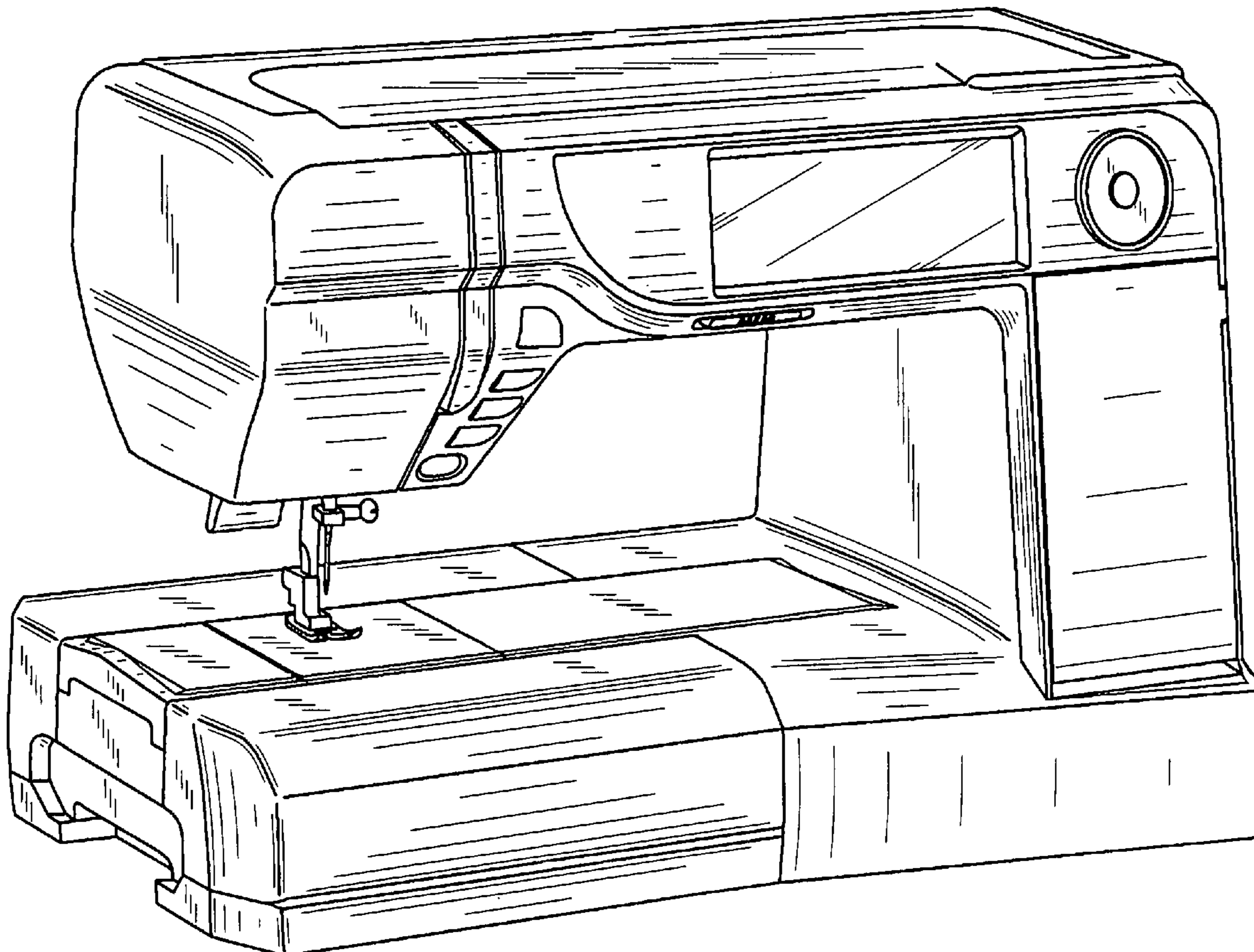
(57) **CLAIM**

The ornamental design for a sewing machine, as shown and described.

DESCRIPTION

FIG. 1 is a front perspective view showing my new design for a sewing machine,
FIG. 2 is a front view thereof,
FIG. 3 is a rear view thereof,
FIG. 4 is a left side view thereof,
FIG. 5 is a right side view thereof,
FIG. 6 is a top view thereof; and,
FIG. 7 is a bottom view thereof.

1 Claim, 7 Drawing Sheets



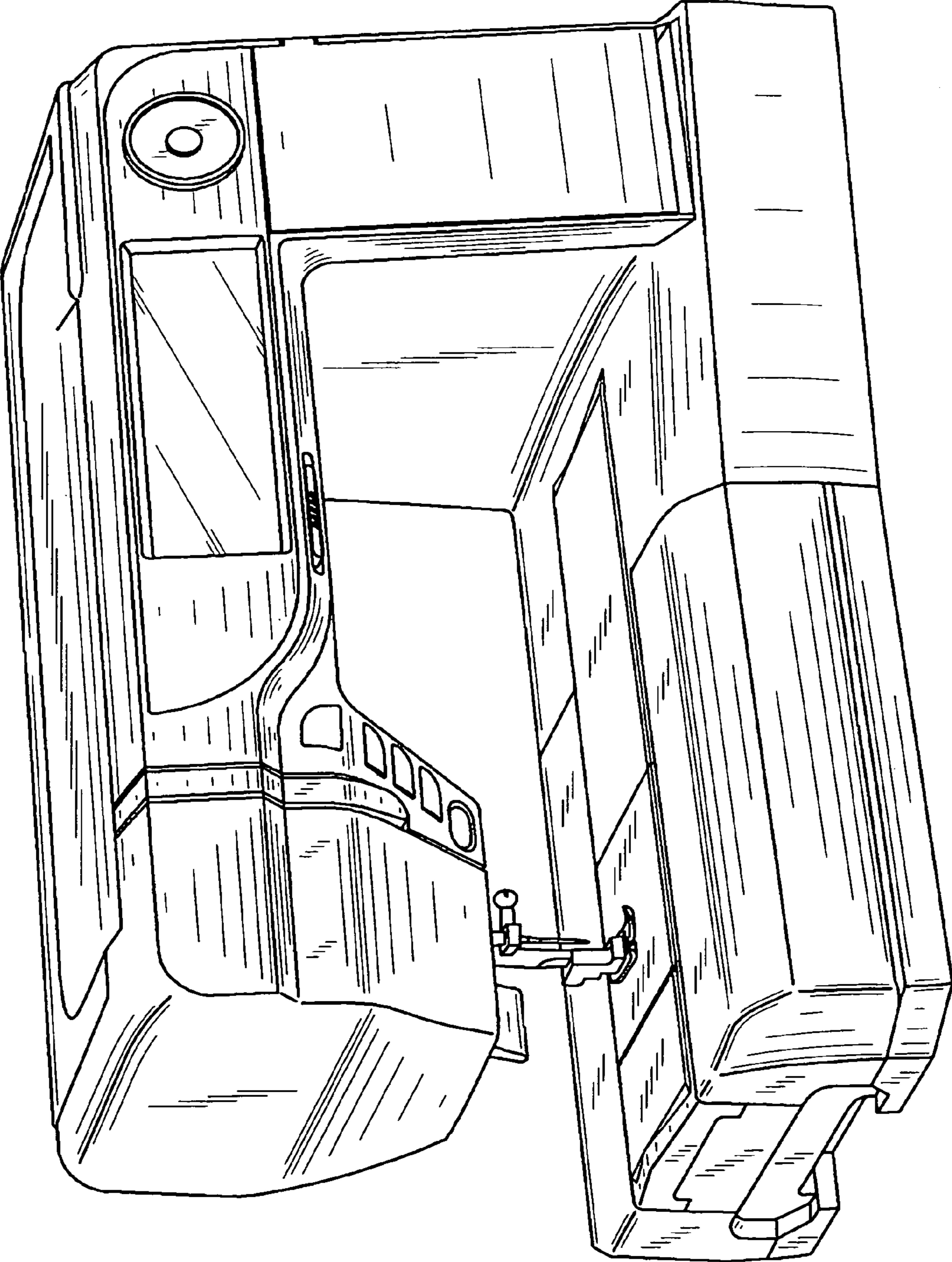


FIGURE 1

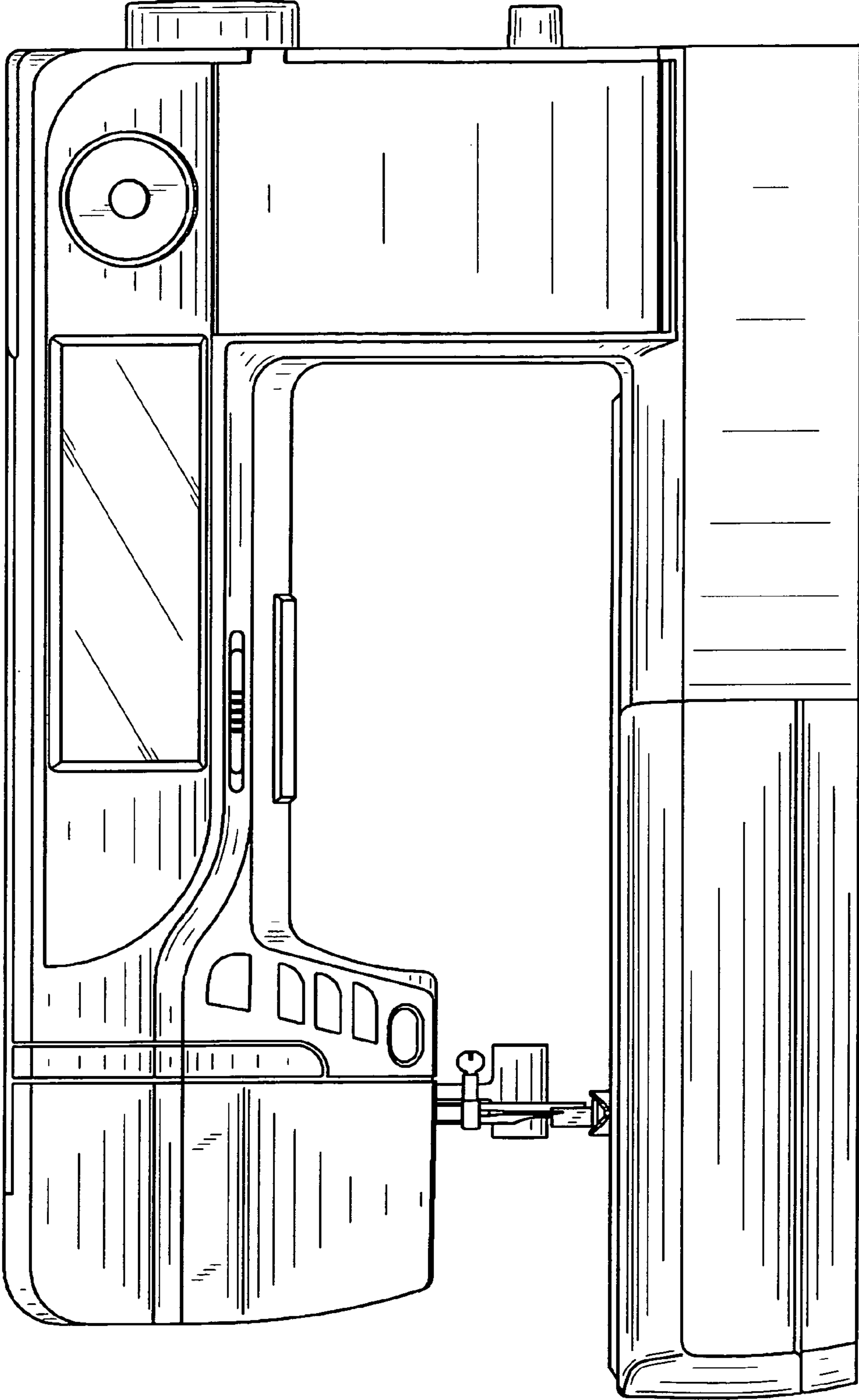


FIGURE 2

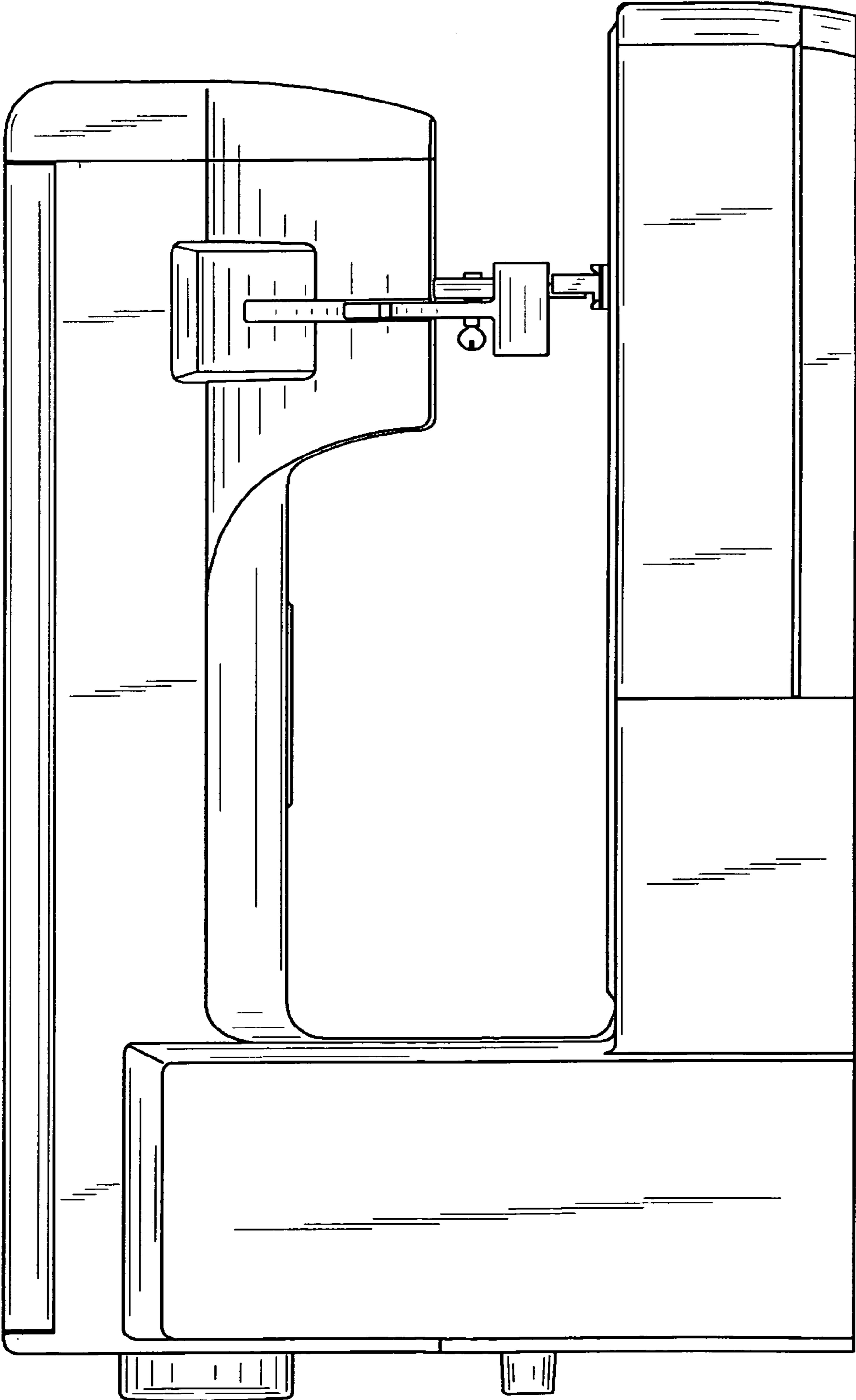


FIGURE 3

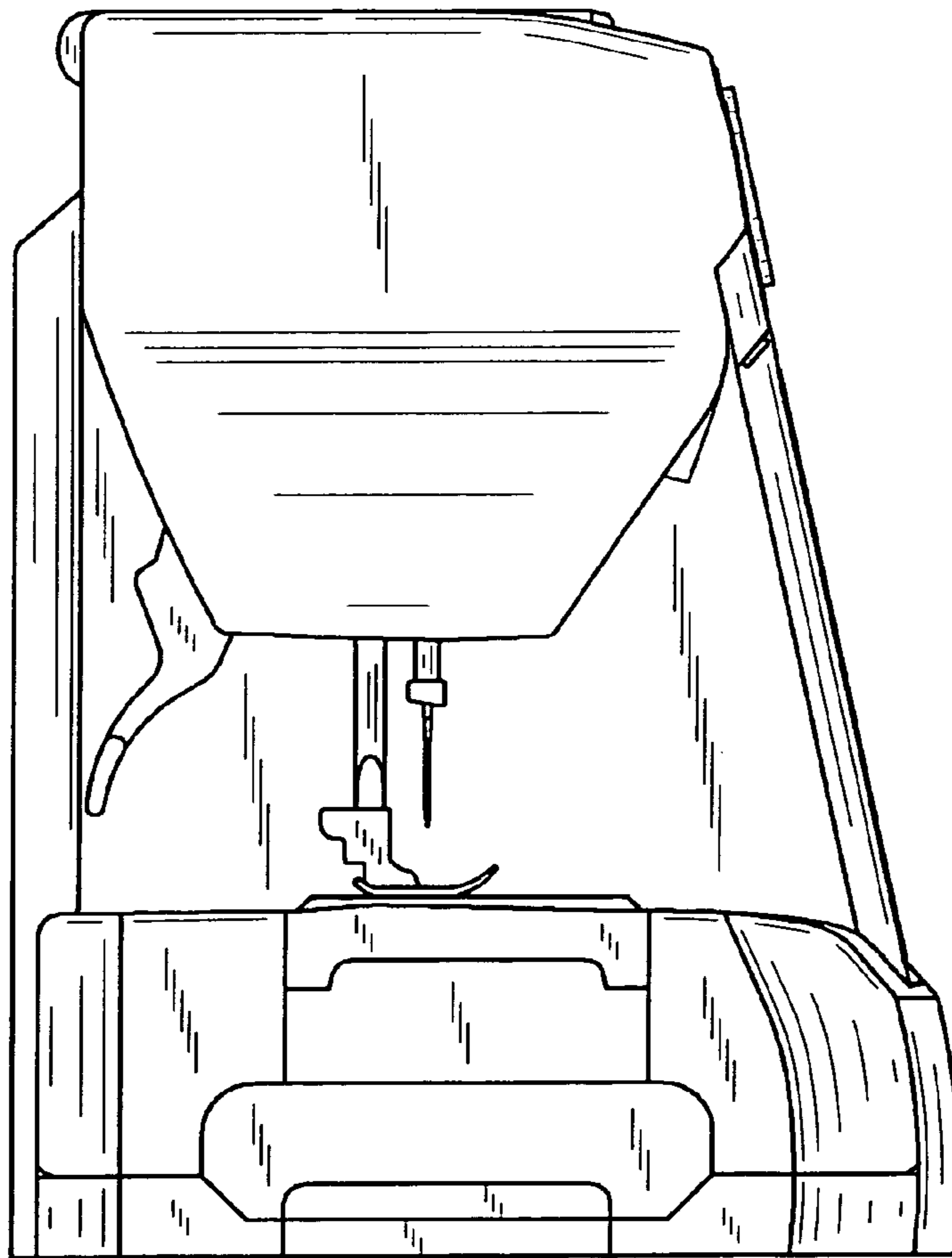


FIGURE 4

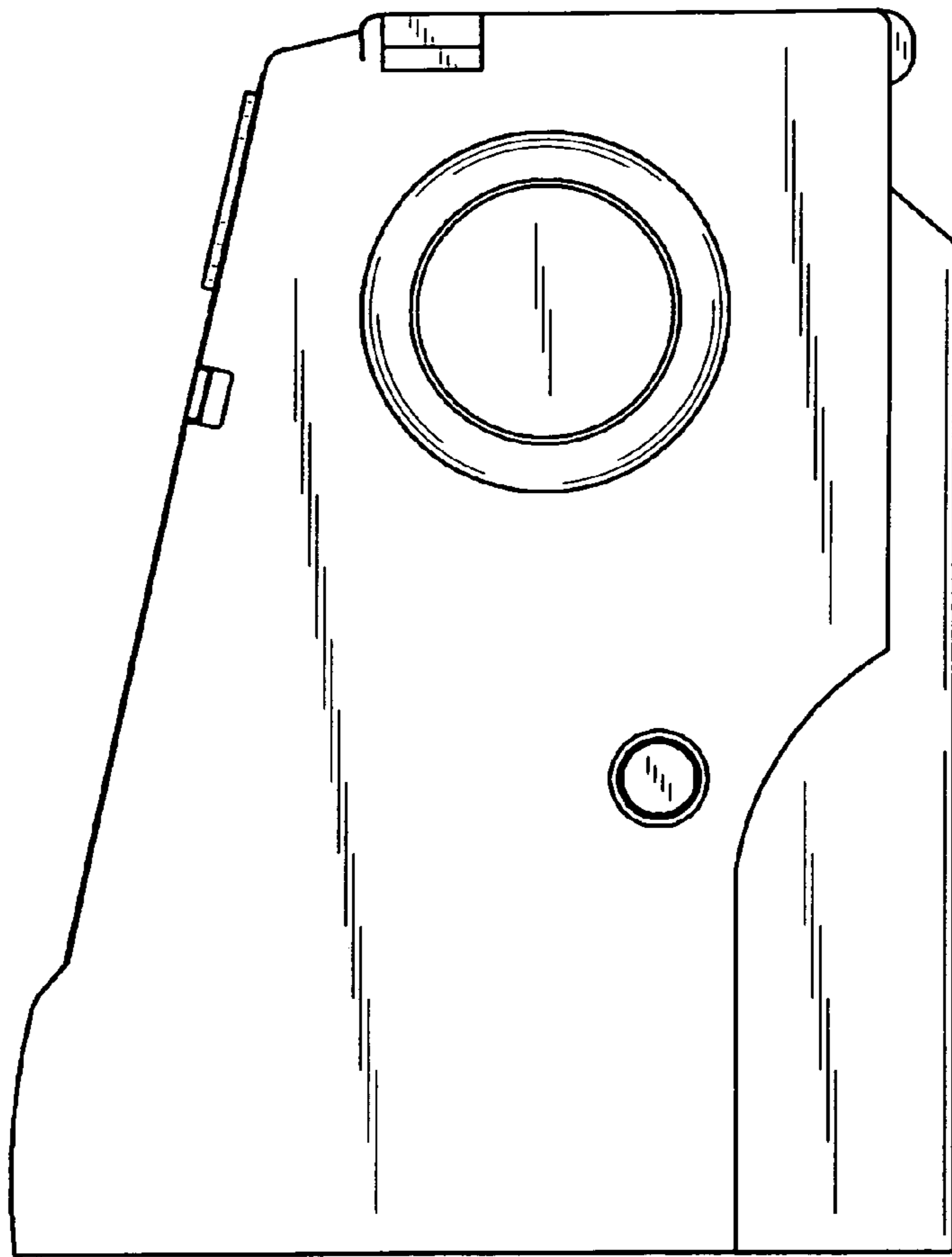


FIGURE 5

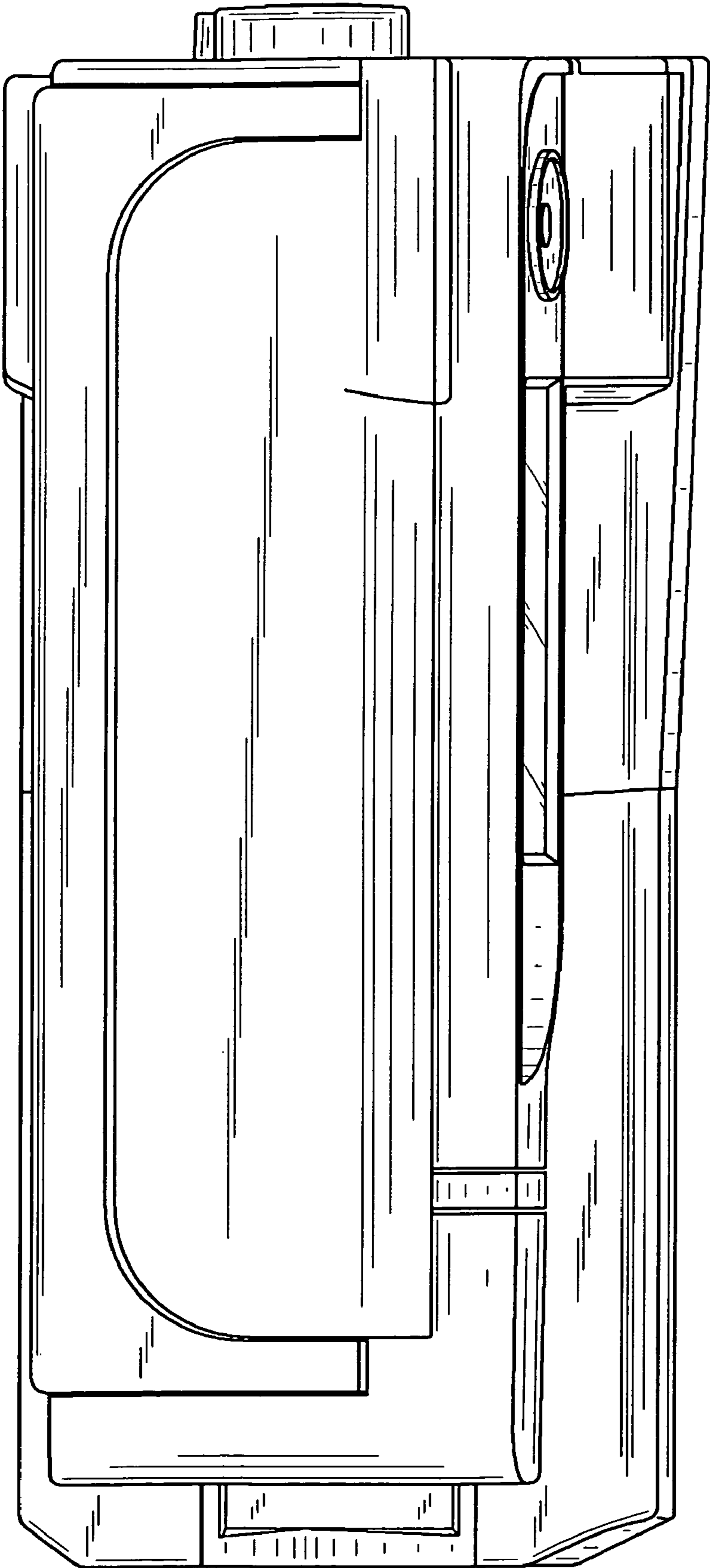


FIGURE 6

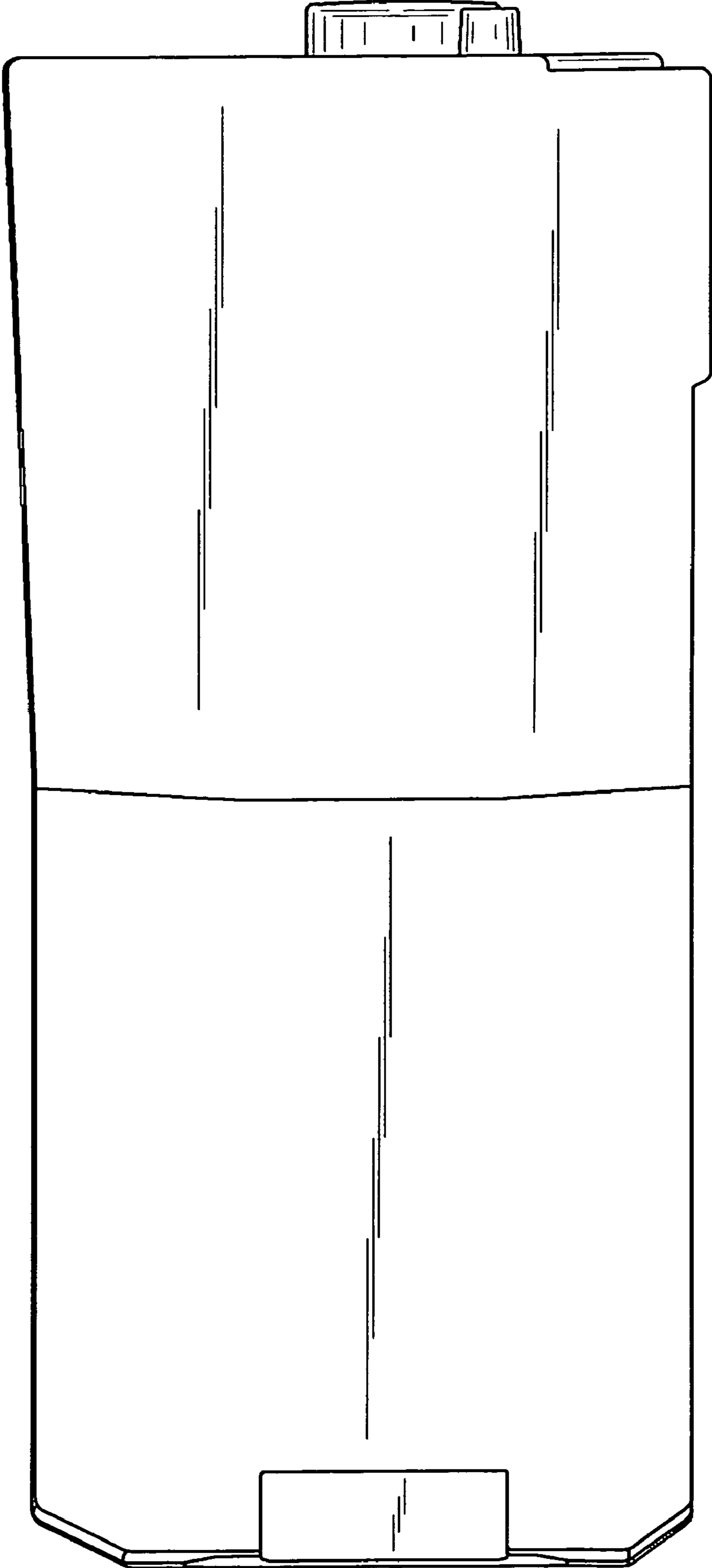


FIGURE 7