



US00D648757S

(12) **United States Design Patent**
Muto

(10) **Patent No.:** **US D648,757 S**

(45) **Date of Patent:** **** Nov. 15, 2011**

(54) **SEWING MACHINE**

(75) Inventor: **Hideki Muto**, Tokyo (JP)

(73) Assignee: **Janome Sewing Machine Company Limited**, Tokyo (JP)

(**) Term: **14 Years**

(21) Appl. No.: **29/371,173**

(22) Filed: **Nov. 12, 2010**

(30) **Foreign Application Priority Data**

May 19, 2010 (JP) 2010-12260

(51) **LOC (9) Cl.** **15-06**

(52) **U.S. Cl.** **D15/69**

(58) **Field of Classification Search** D15/66-78;
112/2, 63, 78, 154, 475.01, 256-261
See application file for complete search history.

(56) **References Cited**

U.S. PATENT DOCUMENTS

D450,721 S * 11/2001 Kawaguchi D15/69
D478,337 S * 8/2003 Kuroki D15/69

D482,702 S * 11/2003 Kawaguchi D15/69
D521,533 S * 5/2006 Sanchez D15/69
D553,650 S * 10/2007 Muto D15/69
D555,176 S * 11/2007 Ogawa D15/69
D632,706 S * 2/2011 Hattori D15/69

* cited by examiner

Primary Examiner — Mitchell Siegel

(74) *Attorney, Agent, or Firm* — Jacobson Holman PLLC

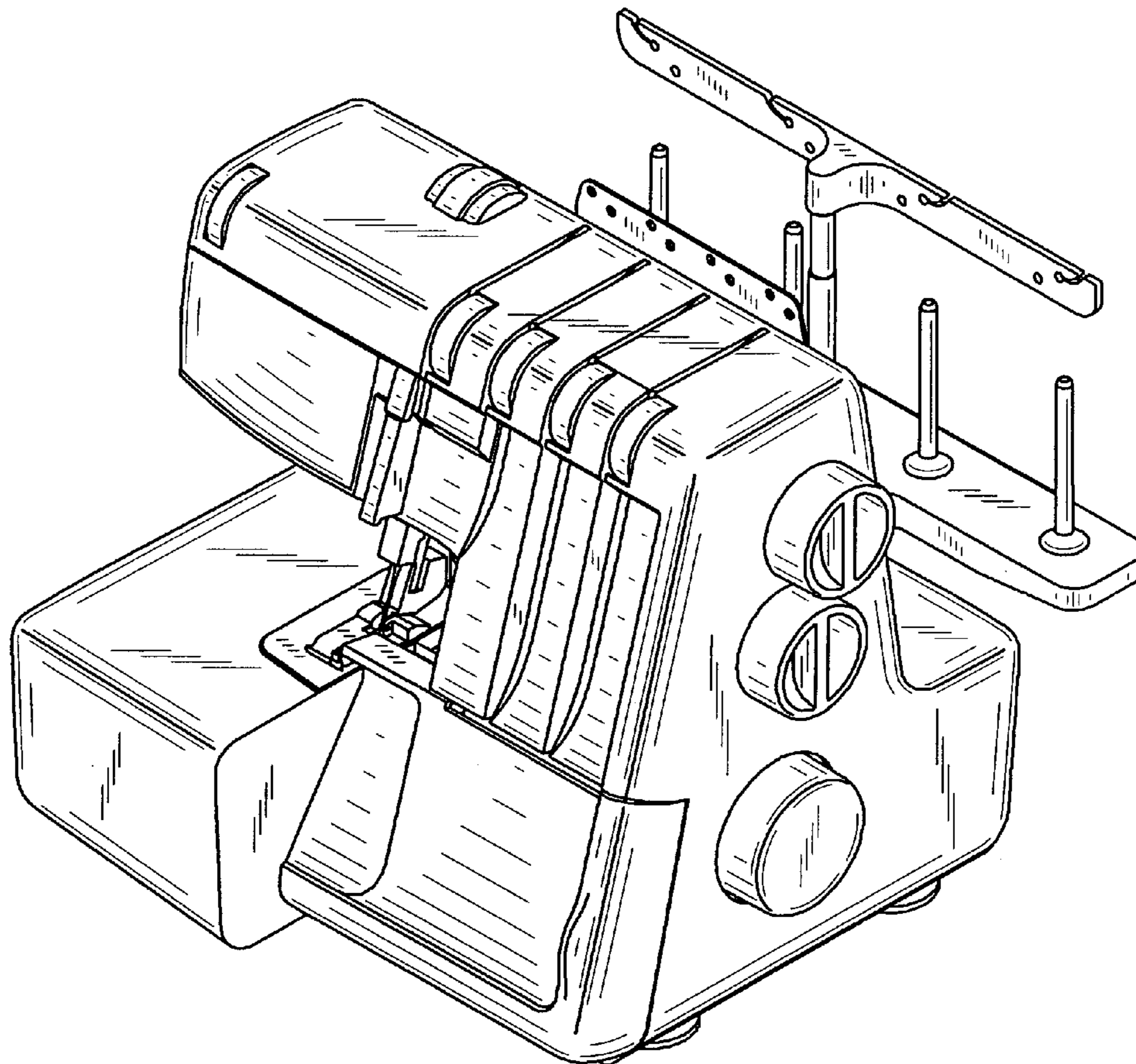
(57) **CLAIM**

The ornamental design for a sewing machine, as shown and described.

DESCRIPTION

FIG. 1 is a front perspective view showing my new design for a sewing machine,
FIG. 2 is another perspective view thereof,
FIG. 3 is a front view thereof,
FIG. 4 is a left side view thereof,
FIG. 5 is a right side view thereof,
FIG. 6 is a rear view thereof,
FIG. 7 is a top view thereof; and,
FIG. 8 is a bottom view thereof.

1 Claim, 8 Drawing Sheets



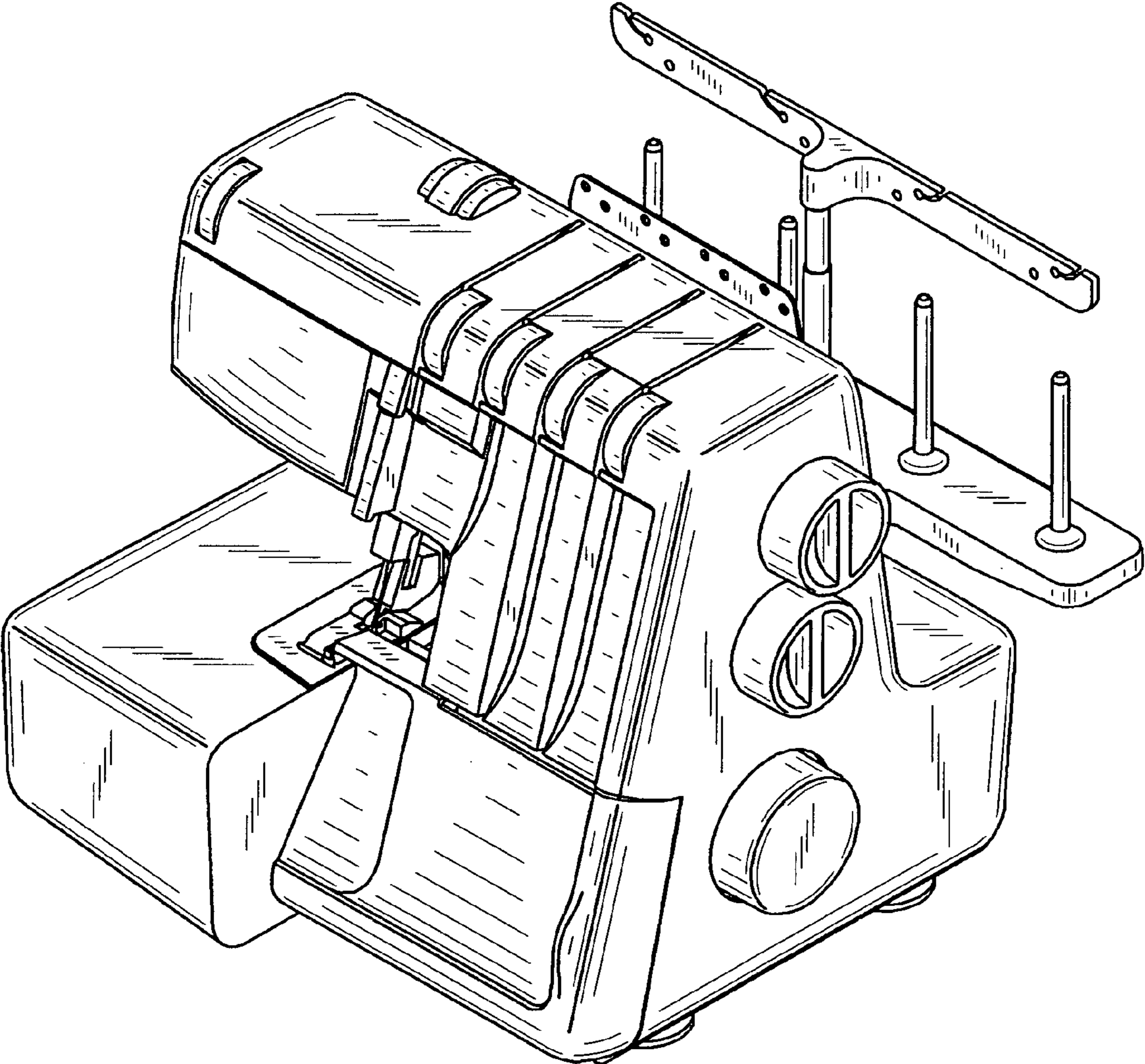


FIGURE 1

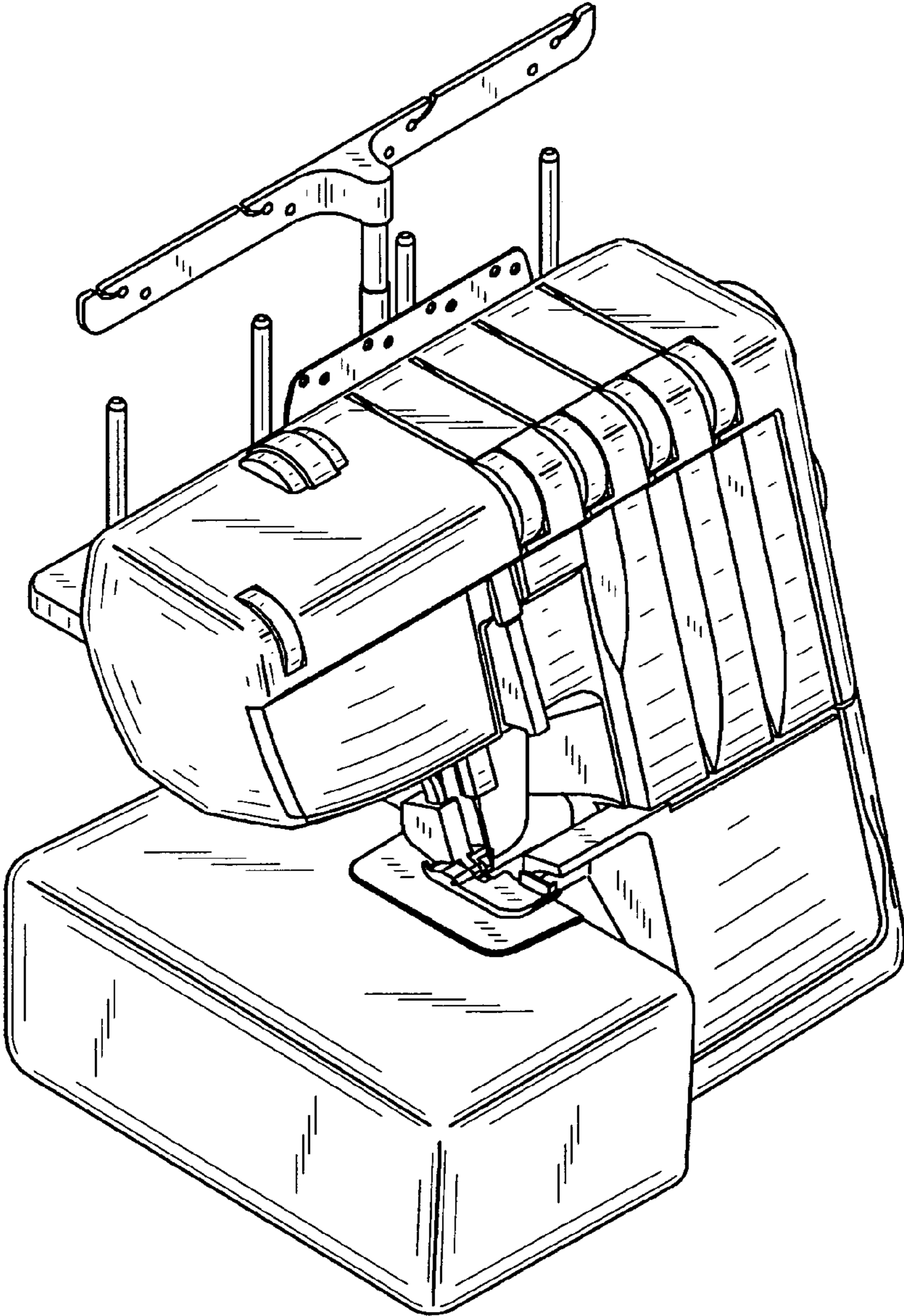


FIGURE 2

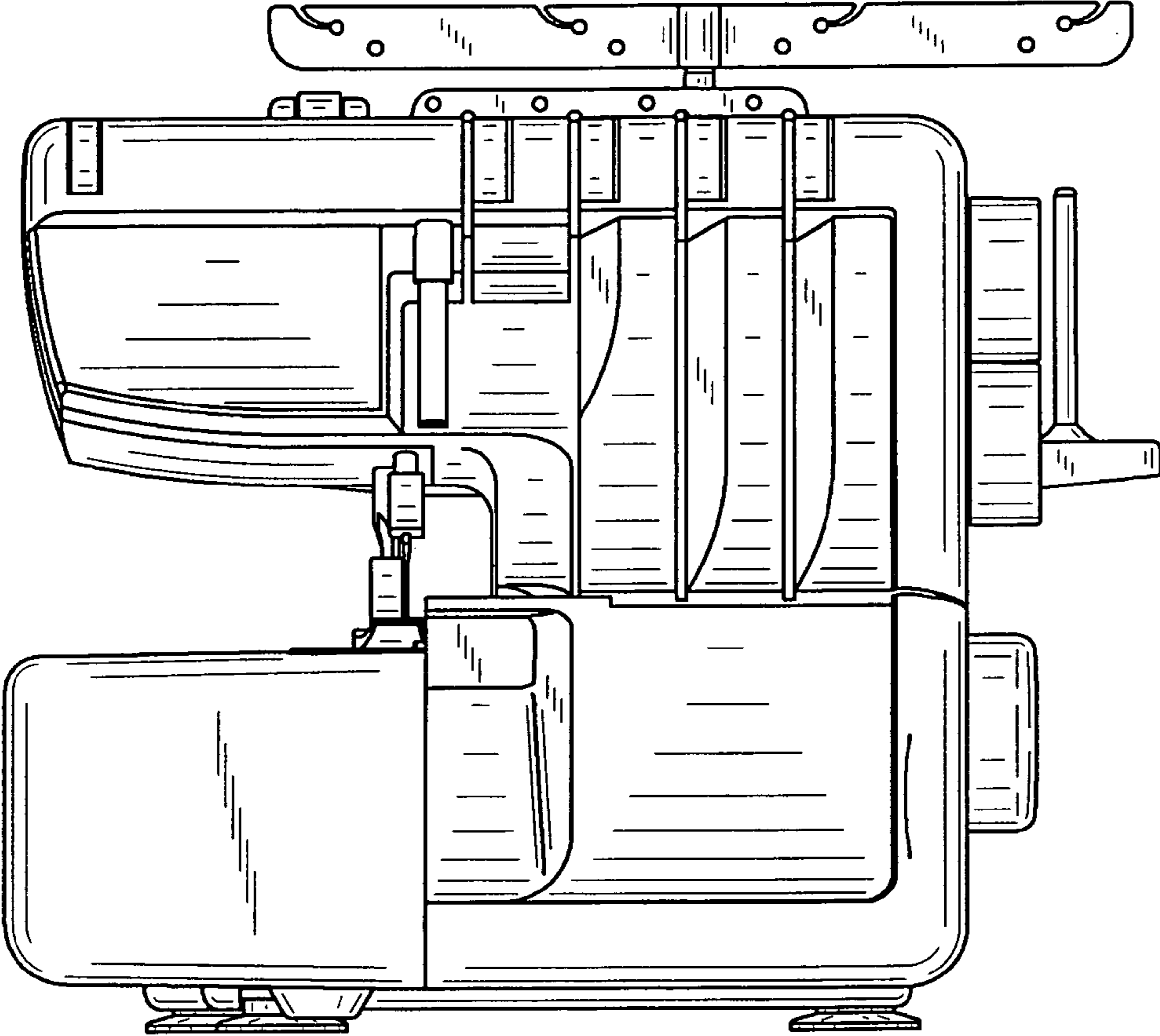


FIGURE 3

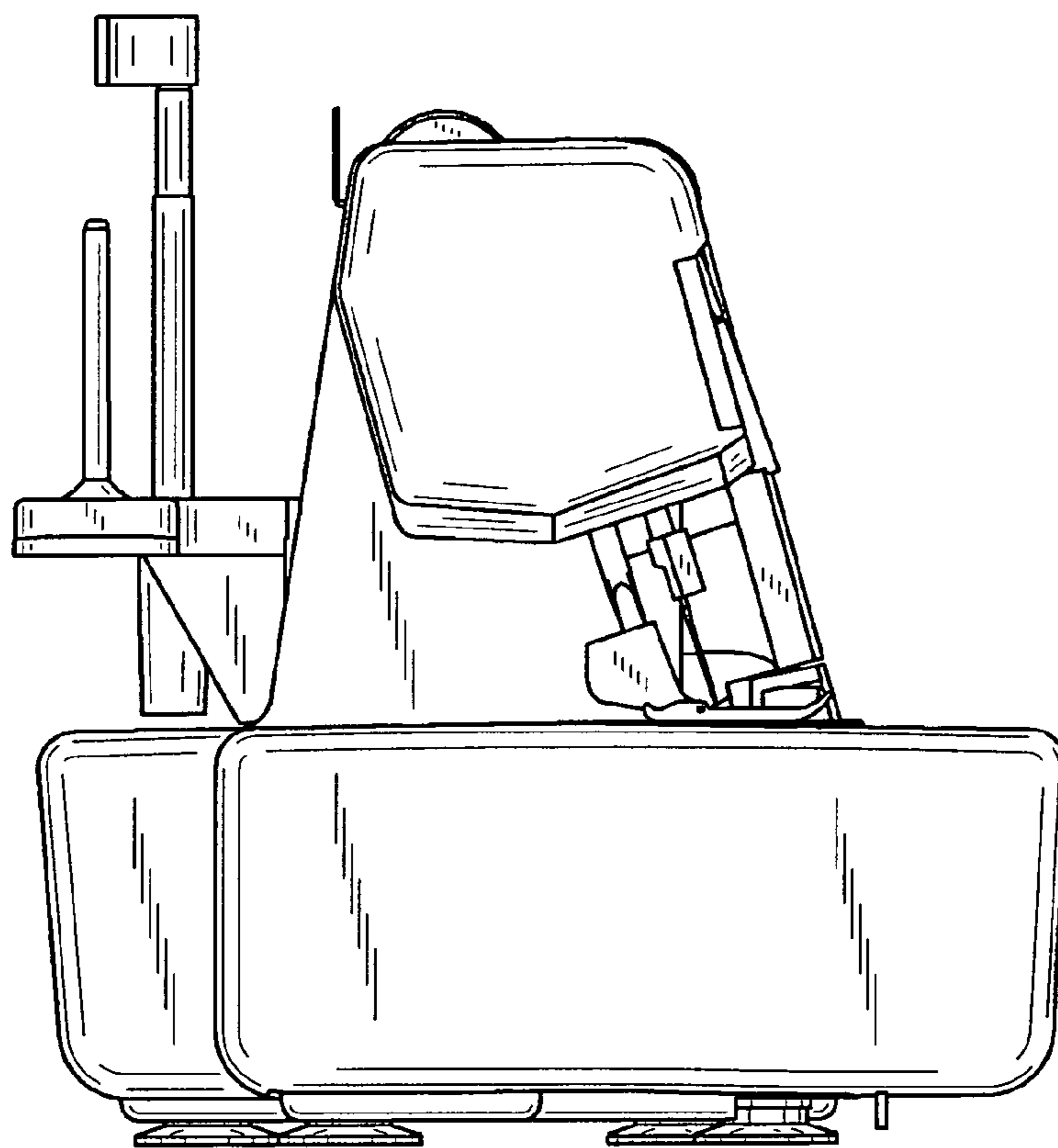


FIGURE 4

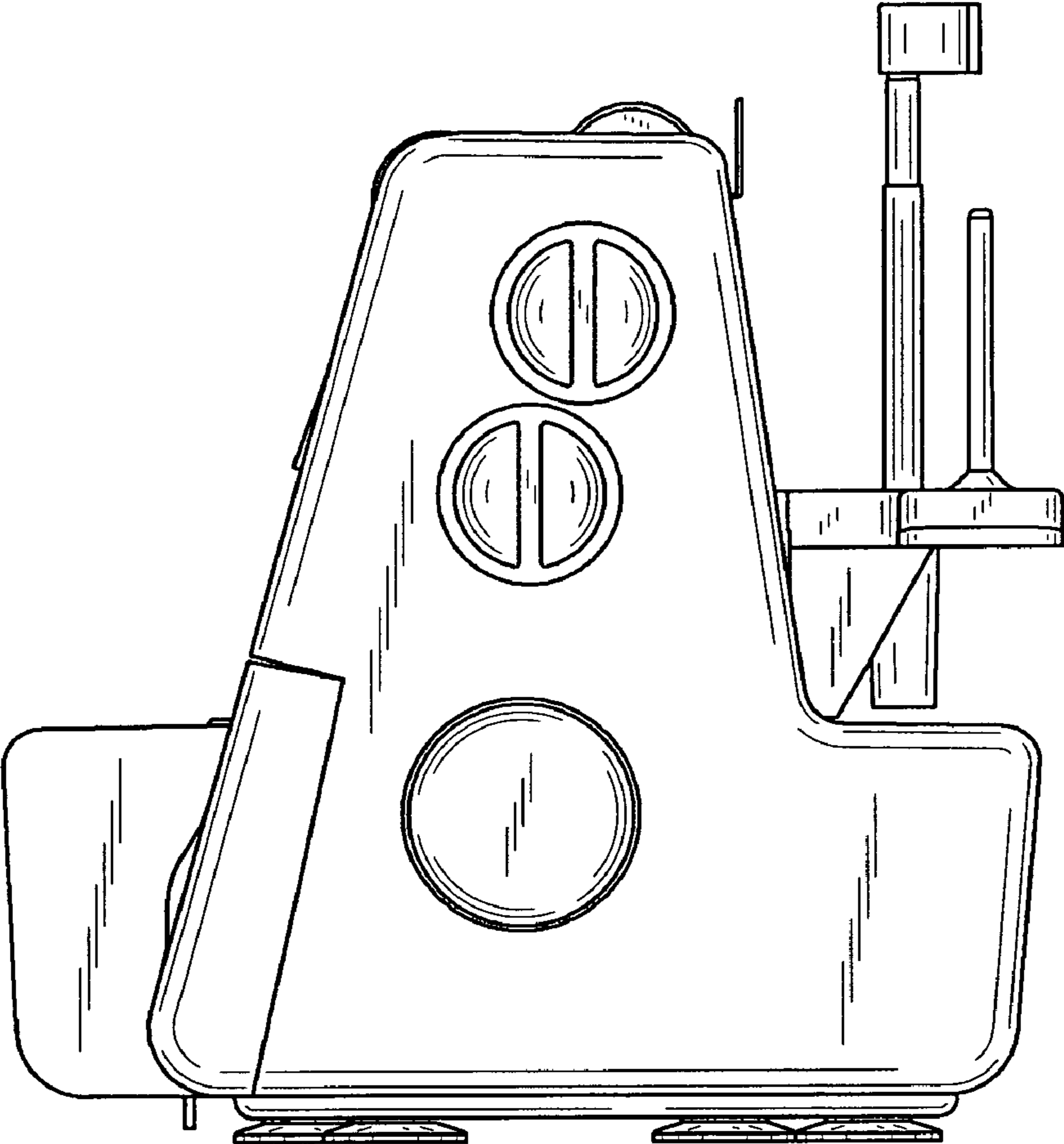


FIGURE 5

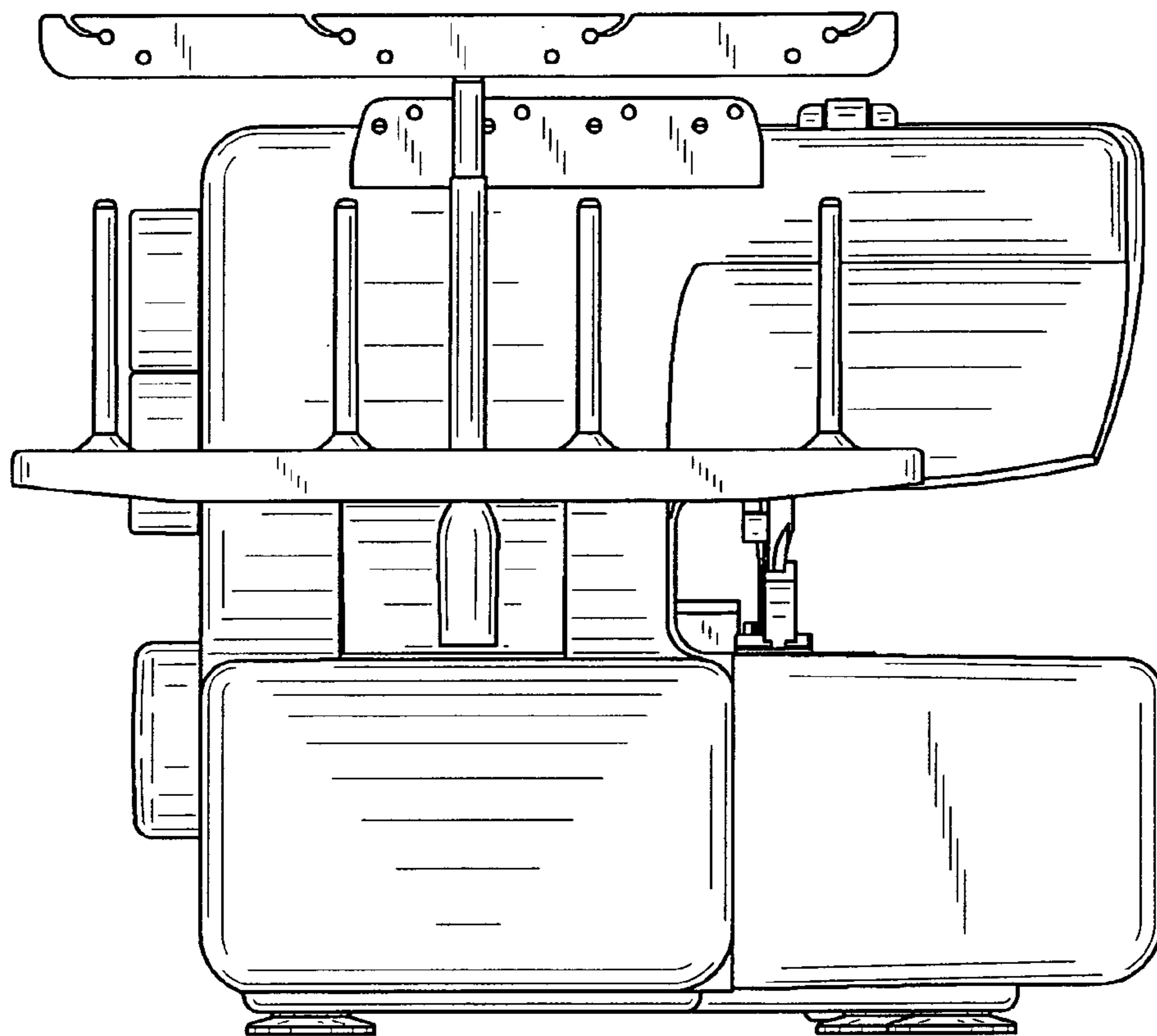


FIGURE 6

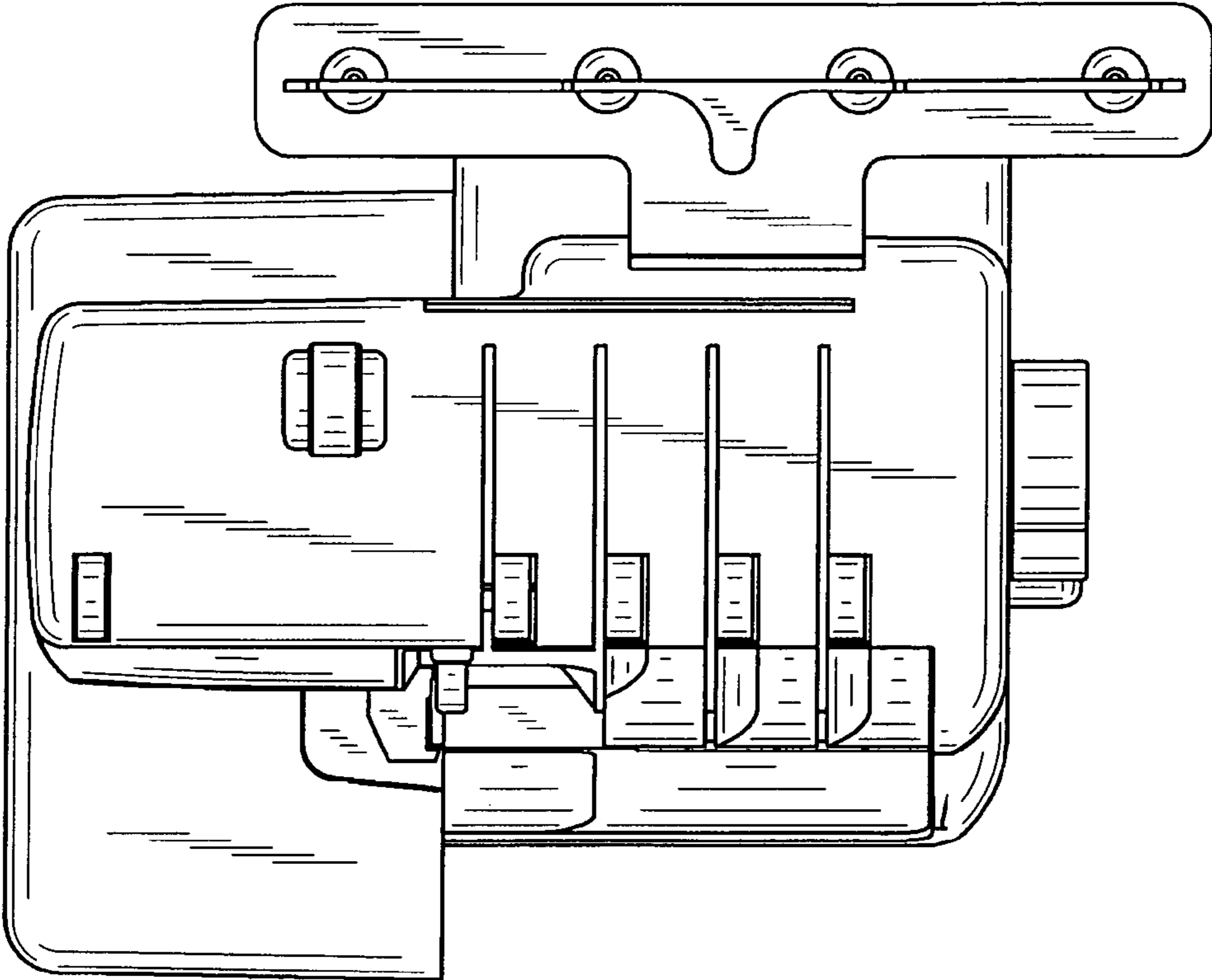


FIGURE 7

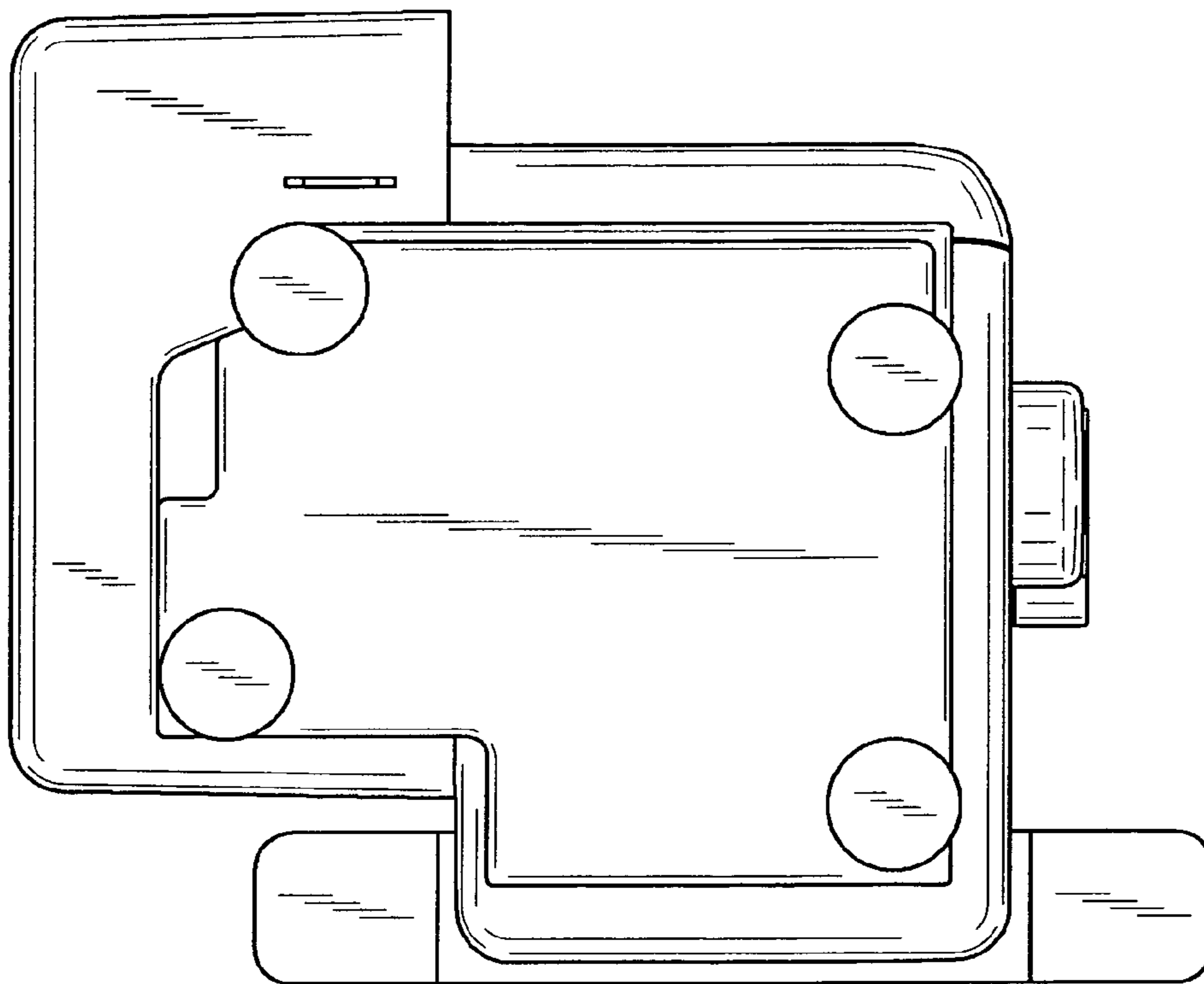


FIGURE 8