



US00D648755S

(12) **United States Design Patent**
Lindmeyer

(10) **Patent No.:** **US D648,755 S**

(45) **Date of Patent:** **** Nov. 15, 2011**

(54) **MOWER STAND**

(76) Inventor: **James Lindmeyer**, Hutchinson, MN
(US)

(**) Term: **14 Years**

(21) Appl. No.: **29/390,967**

(22) Filed: **May 2, 2011**

(51) **LOC (9) Cl.** **15-03**

(52) **U.S. Cl.** **D15/17**

(58) **Field of Classification Search** D15/10,
D15/14-18, 28; D8/355-357, 388, 349,
D8/370; 239/276; 248/76, 87, 175, 302,
248/303, 316.7; 56/10.8, 320.1, 320.2; 16/437
See application file for complete search history.

(56) **References Cited**

U.S. PATENT DOCUMENTS

D32,226	S	*	2/1900	Dotson	D8/356
1,537,237	A	*	5/1925	Kaestner	248/87
2,530,873	A	*	11/1950	Grotz	248/76
4,455,811	A	*	6/1984	Beugelsdyk	56/10.8
D280,201	S	*	8/1985	Moreiras et al.	D15/123
D282,711	S	*	2/1986	Nelson	D8/1
4,878,339	A	*	11/1989	Marier et al.	56/14.7
D305,709	S	*	1/1990	Blignaut	D6/468

D315,012	S	*	2/1991	Koga	D22/147
D317,095	S	*	5/1991	Albers et al.	D6/464
D390,209	S	*	2/1998	Dials et al.	D14/451
6,000,705	A	*	12/1999	Velke	280/32.7
D436,364	S	*	1/2001	Carter	D15/17
D531,676	S	*	11/2006	Tabert	D21/302
D543,441	S	*	5/2007	Hall	D8/367
D545,669	S	*	7/2007	Hall	D8/367
D555,462	S	*	11/2007	Moffitt et al.	D8/370
D556,024	S	*	11/2007	Merlo	D8/367
D616,904	S	*	6/2010	Armstrong	D15/17

* cited by examiner

Primary Examiner — Mark Goodwin

(74) *Attorney, Agent, or Firm* — Haugen Law Firm PLLP

(57) **CLAIM**

The ornamental design for a mower stand, as shown and described.

DESCRIPTION

FIG. 1 is a perspective view of the design;
FIG. 2 is a first side elevational view of the design;
FIG. 3 is a second side elevational view of the design;
FIG. 4 is a top plan view of the design;
FIG. 5 is a bottom plan view of the design;
FIG. 6 is a first end elevational view of the design; and,
FIG. 7 is a second end elevational view of the design.

1 Claim, 4 Drawing Sheets

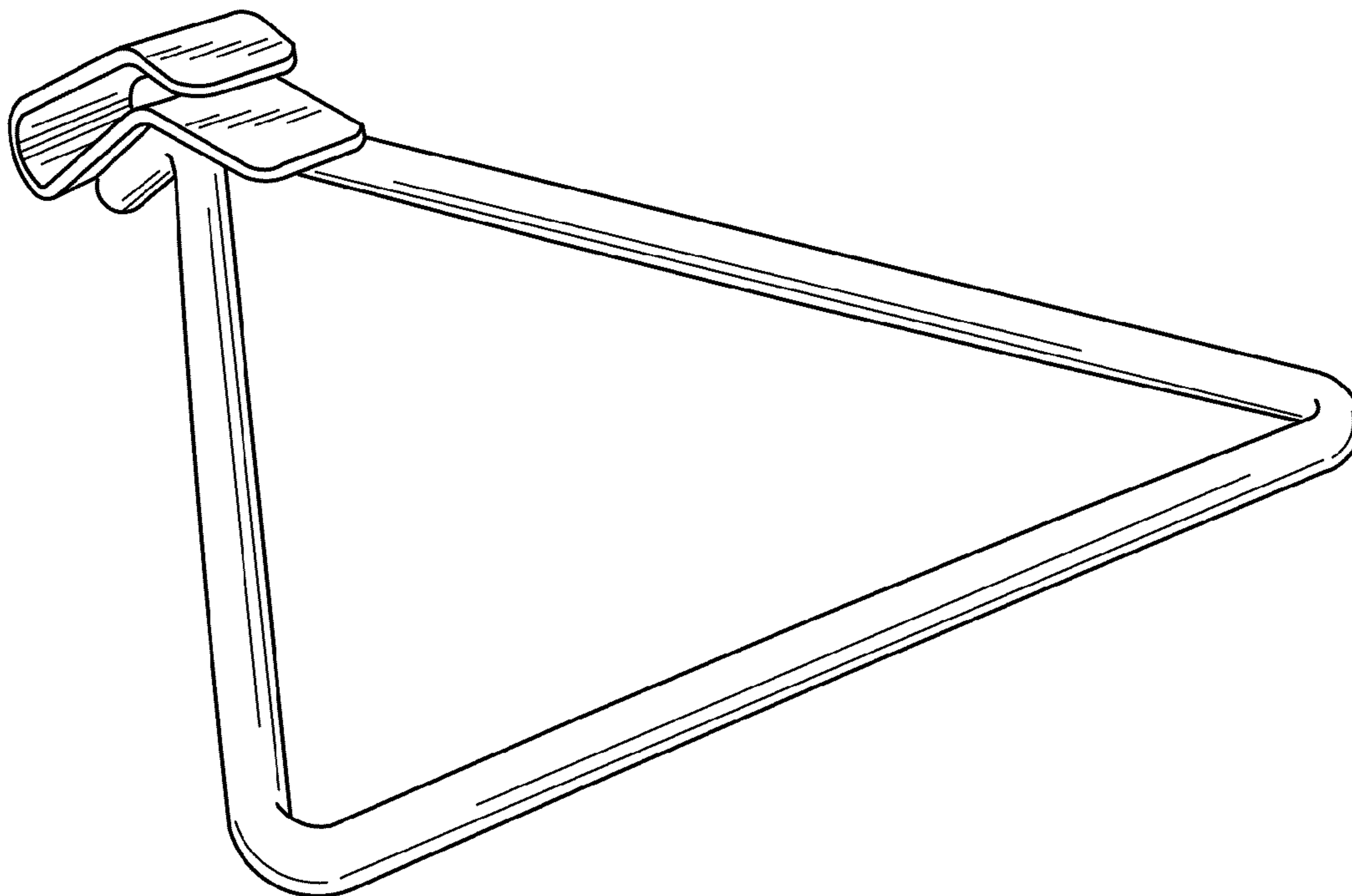


FIG. 1

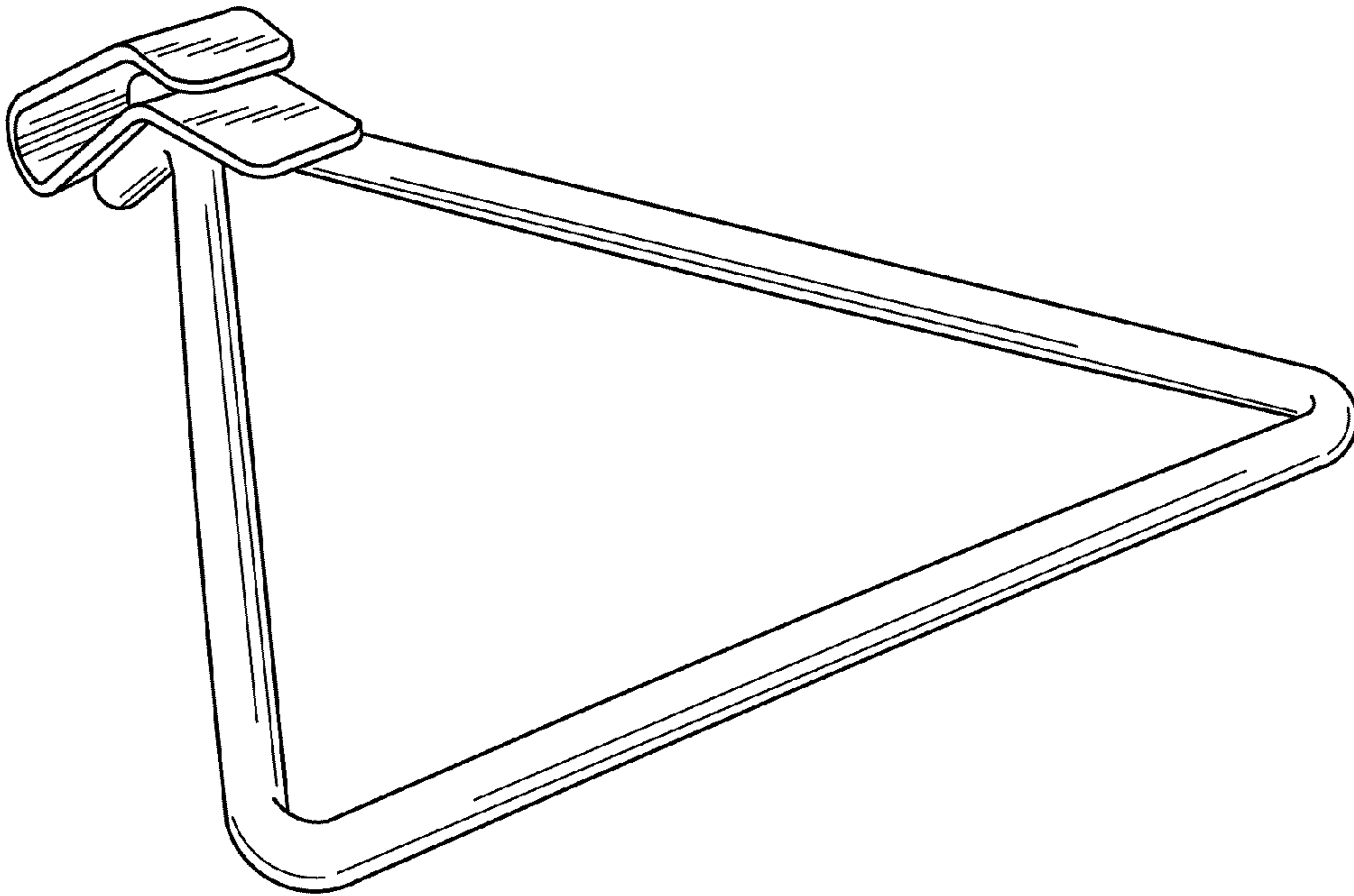


FIG. 2

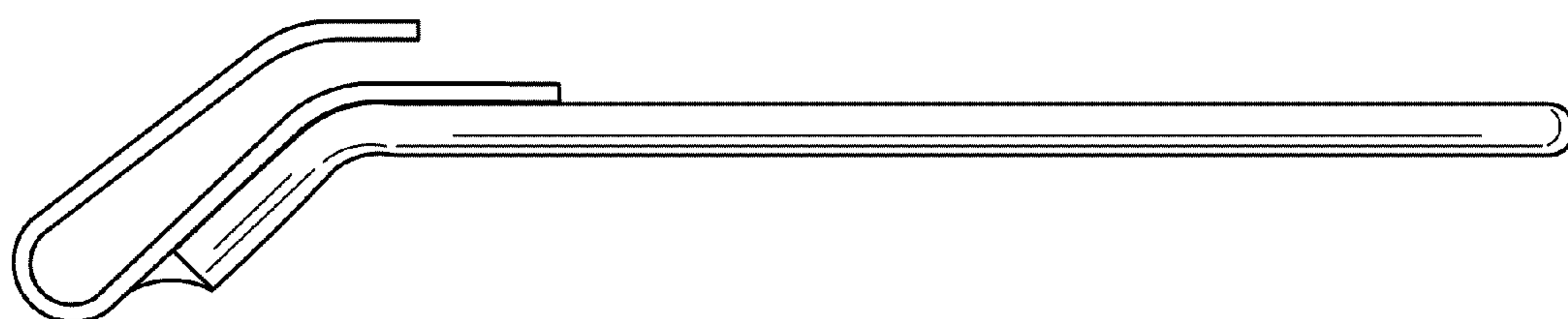


FIG. 3

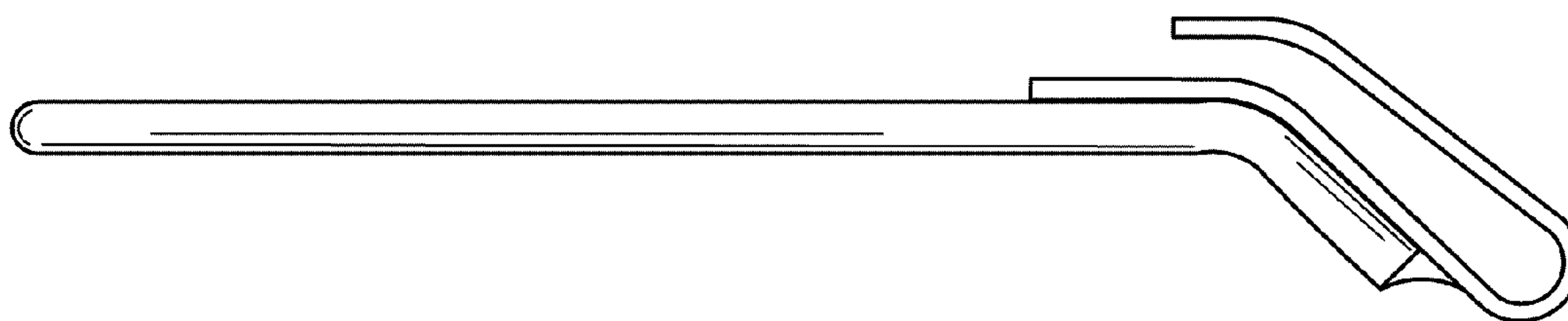


FIG. 4

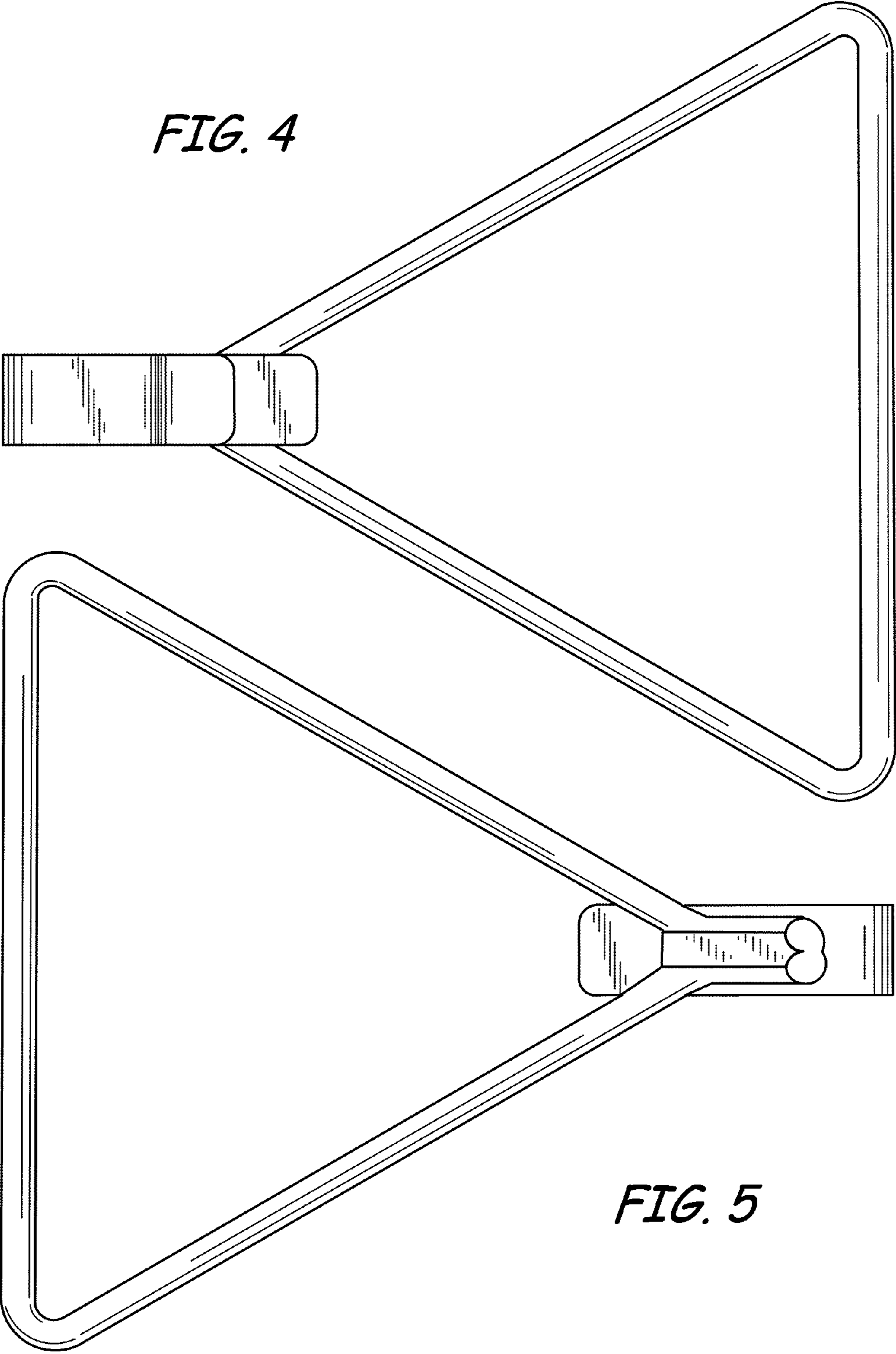


FIG. 5

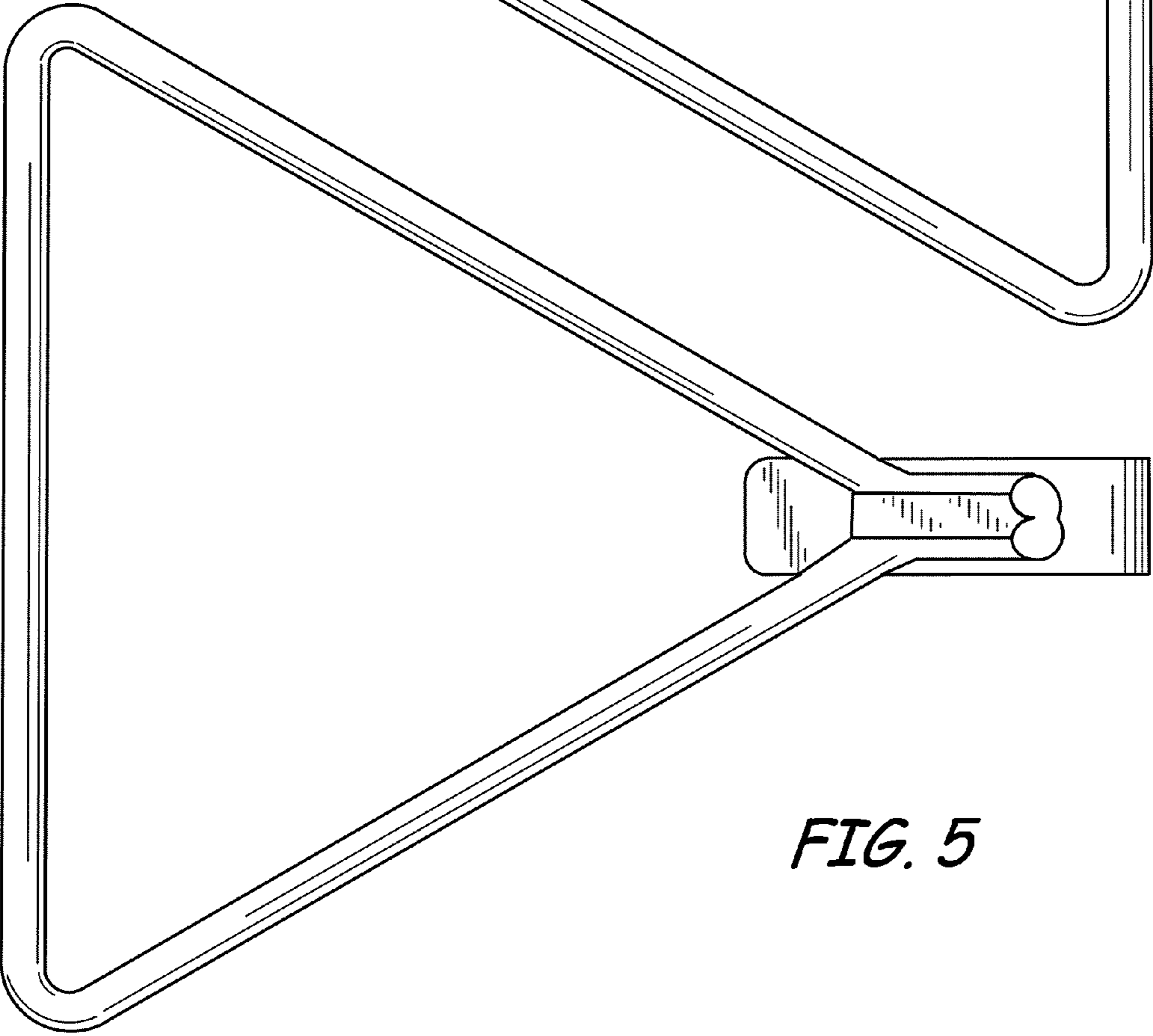


FIG. 6

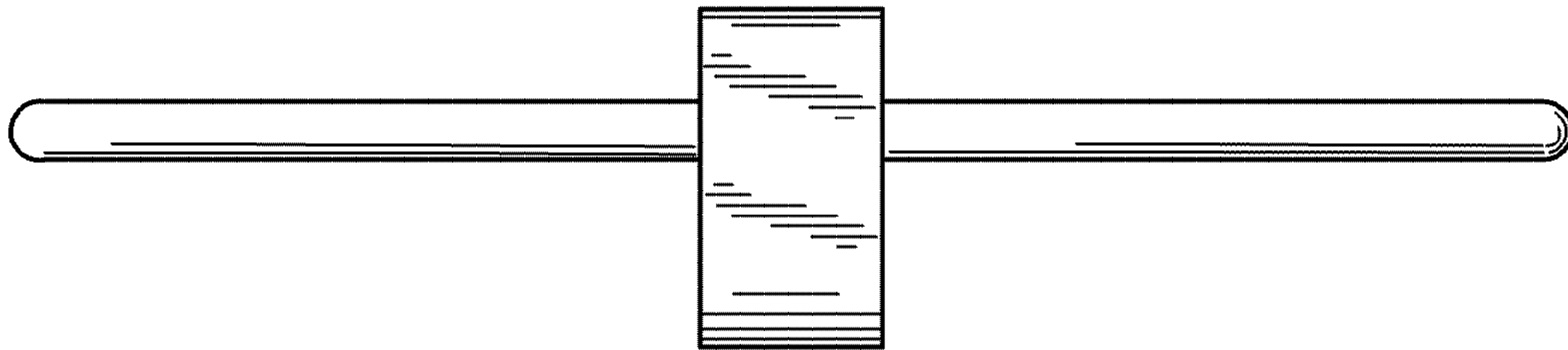


FIG. 7

