

US00D648754S

(12) **United States Design Patent**
Yuzuriha

(10) **Patent No.:** **US D648,754 S**

(45) **Date of Patent:** **** Nov. 15, 2011**

(54) **LAWN MOWER**

(75) Inventor: **Hiromi Yuzuriha**, Saitama (JP)

(73) Assignee: **Honda Motor Co., Ltd.**, Tokyo (JP)

(**) Term: **14 Years**

(21) Appl. No.: **29/390,441**

(22) Filed: **Apr. 25, 2011**

(51) **LOC (9) Cl.** **15-03**

(52) **U.S. Cl.** **D15/17**

(58) **Field of Classification Search** D15/10,
D15/14-17; 56/11.9, 16.7, 17.1, 17.4, 17.5,
56/202, 254, 255, 320.1, 320.2, 294, 295,
56/12.8, 13.4, 11.4

See application file for complete search history.

(56) **References Cited**

U.S. PATENT DOCUMENTS

| | | | |
|---------------|---------|------------------------|---------|
| D187,332 S * | 3/1960 | Konle | D15/17 |
| D187,333 S * | 3/1960 | Konle | D15/17 |
| D317,166 S * | 5/1991 | Haggstam | D15/17 |
| D344,090 S * | 2/1994 | Barnard | D15/17 |
| D346,810 S * | 5/1994 | Schulz et al. | D15/14 |
| D360,639 S * | 7/1995 | Strother | D15/17 |
| D390,576 S * | 2/1998 | Shimamura | D15/14 |
| 5,910,091 A * | 6/1999 | Iida et al. | 56/16.7 |
| D419,163 S * | 1/2000 | Sirois et al. | D15/14 |
| D421,265 S * | 2/2000 | Ohsumi et al. | D15/14 |
| D424,070 S * | 5/2000 | Danthois | D15/14 |
| D426,836 S * | 6/2000 | Sirois et al. | D15/14 |
| D436,114 S * | 1/2001 | Beugelsdyk et al. | D15/17 |
| D436,364 S * | 1/2001 | Carter | D15/17 |
| D450,064 S * | 11/2001 | Concari et al. | D15/14 |
| D456,030 S * | 4/2002 | Maeda | D15/14 |
| D457,897 S * | 5/2002 | Jong | D15/14 |
| D489,735 S * | 5/2004 | Lin | D15/17 |

| | | | |
|--------------|---------|-----------------------|--------|
| D492,701 S * | 7/2004 | DeShong | D15/17 |
| D508,924 S * | 8/2005 | Henssler et al. | D15/14 |
| D544,501 S * | 6/2007 | Chung Lee | D15/14 |
| D584,746 S * | 1/2009 | Schreiner et al. | D15/17 |
| D605,667 S * | 12/2009 | Peterson et al. | D15/14 |
| D616,904 S * | 6/2010 | Armstrong | D15/17 |
| D627,371 S * | 11/2010 | Baetica | D15/14 |
| D627,372 S * | 11/2010 | Baetica | D15/14 |

OTHER PUBLICATIONS

- European community design registration No. 000518543-0001.
- European community design registration No. 000518543-0002.
- European community design registration No. 000518543-0003.
- European community design registration No. 000518543-0004.
- European community design registration No. 000518543-0006.
- European community design registration No. 000518543-0007.
- European community design registration No. 000518543-0008.
- European community design registration No. 000518543-0009.

* cited by examiner

Primary Examiner — Mark Goodwin

(74) *Attorney, Agent, or Firm* — Westerman, Hattori, Daniels & Adrian, LLP

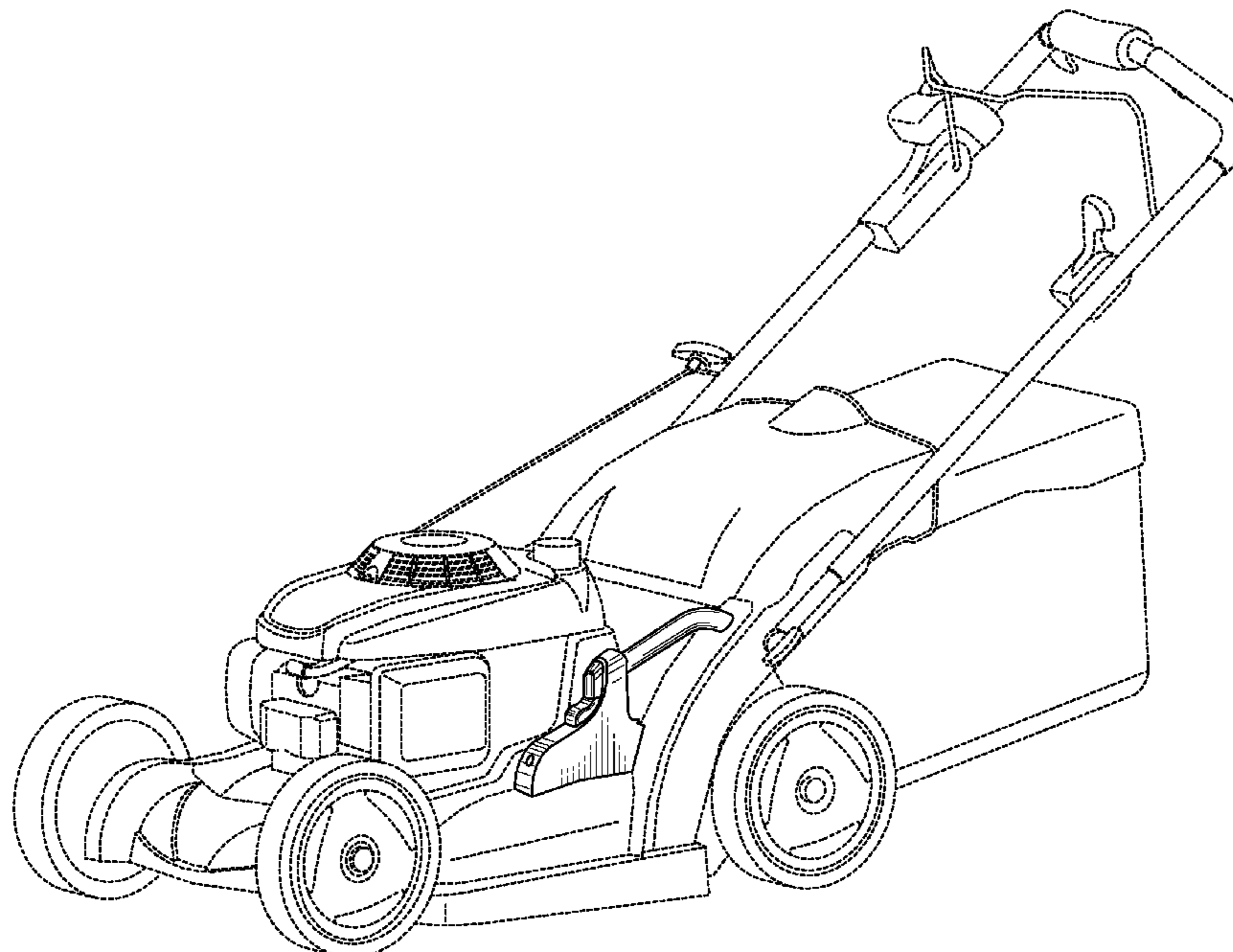
(57) **CLAIM**

The ornamental design for, a lawn mower, as shown and described.

DESCRIPTION

FIG. 1 is a first perspective view of a lawn mower thereof, showing our new design;
 FIG. 2 is a second perspective view thereof;
 FIG. 3 is a front elevation view thereof;
 FIG. 4 is a right side elevation view thereof; and,
 FIG. 5 is a top plan view thereof.
 The broken lines are for illustrative purposes only and form no part of the claimed design.

1 Claim, 5 Drawing Sheets



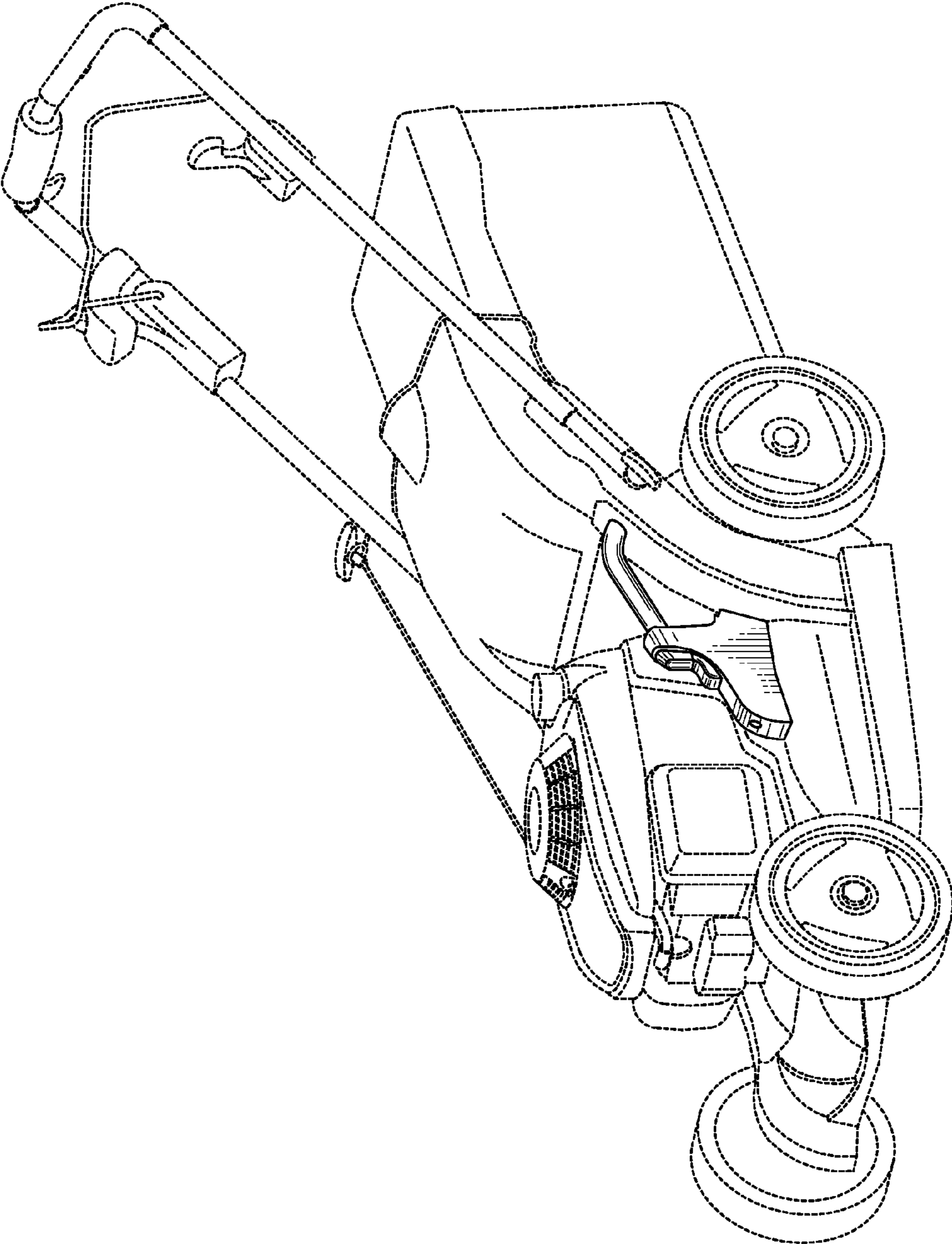


Fig. 1

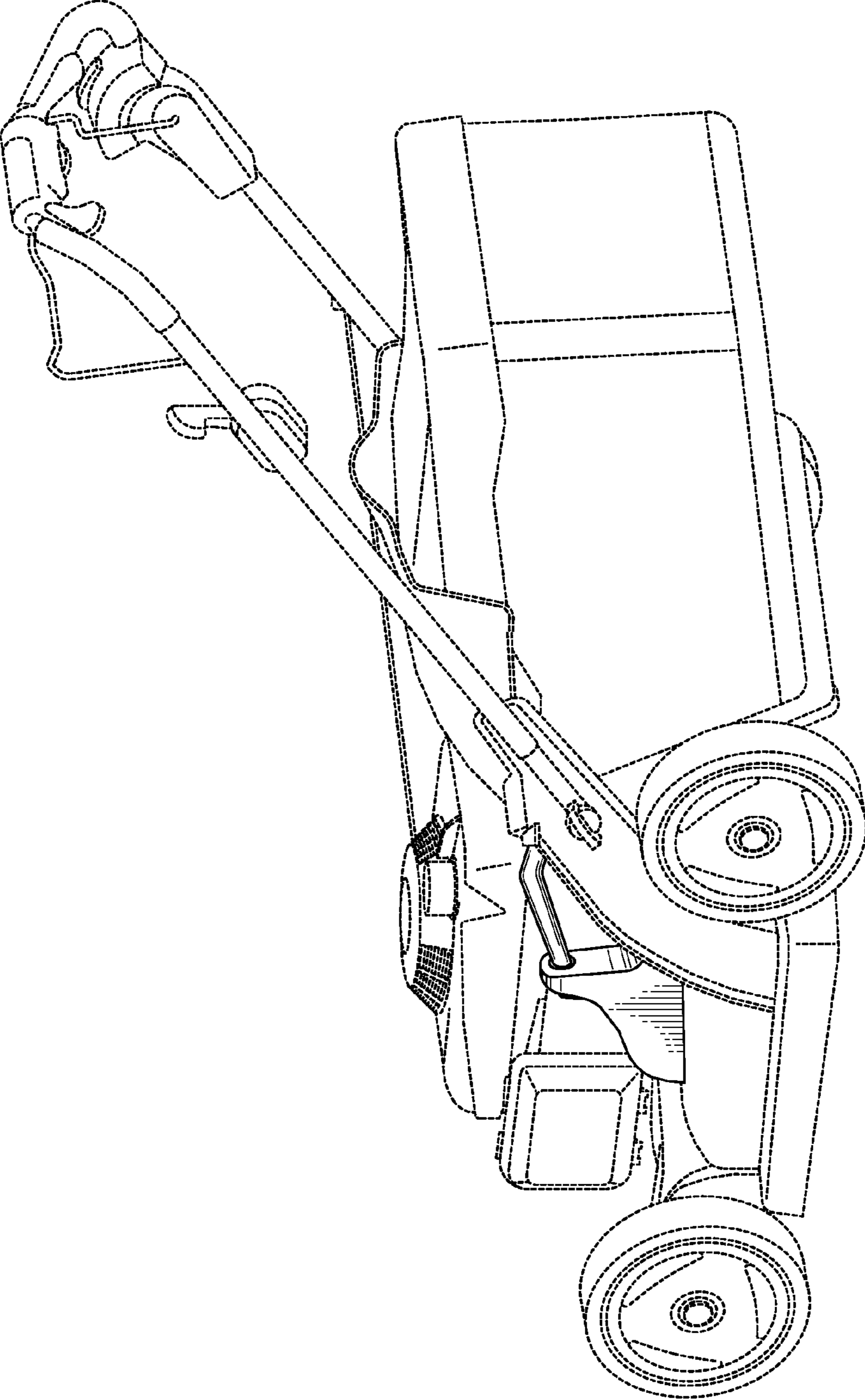


Fig. 2

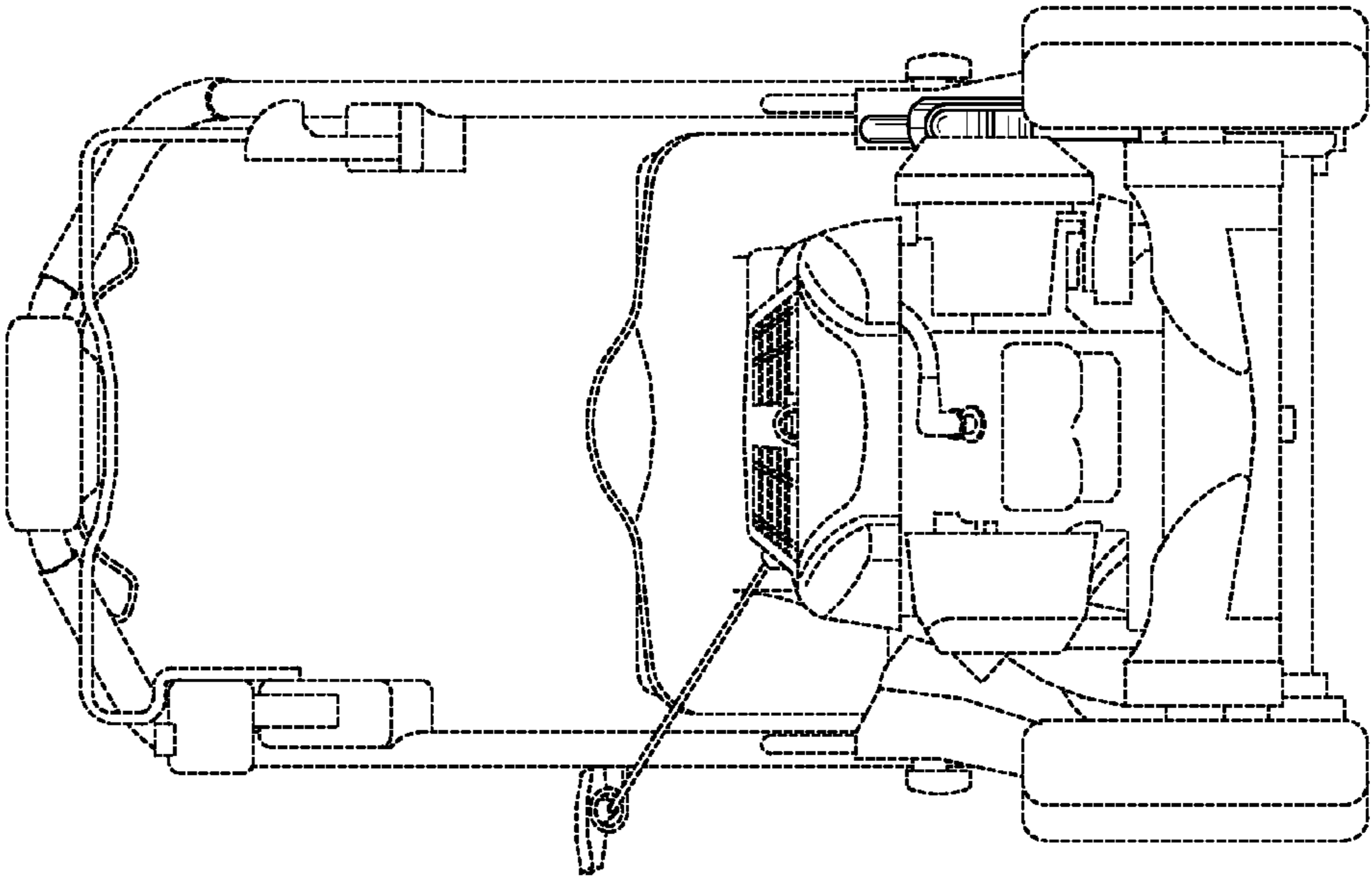


Fig. 3

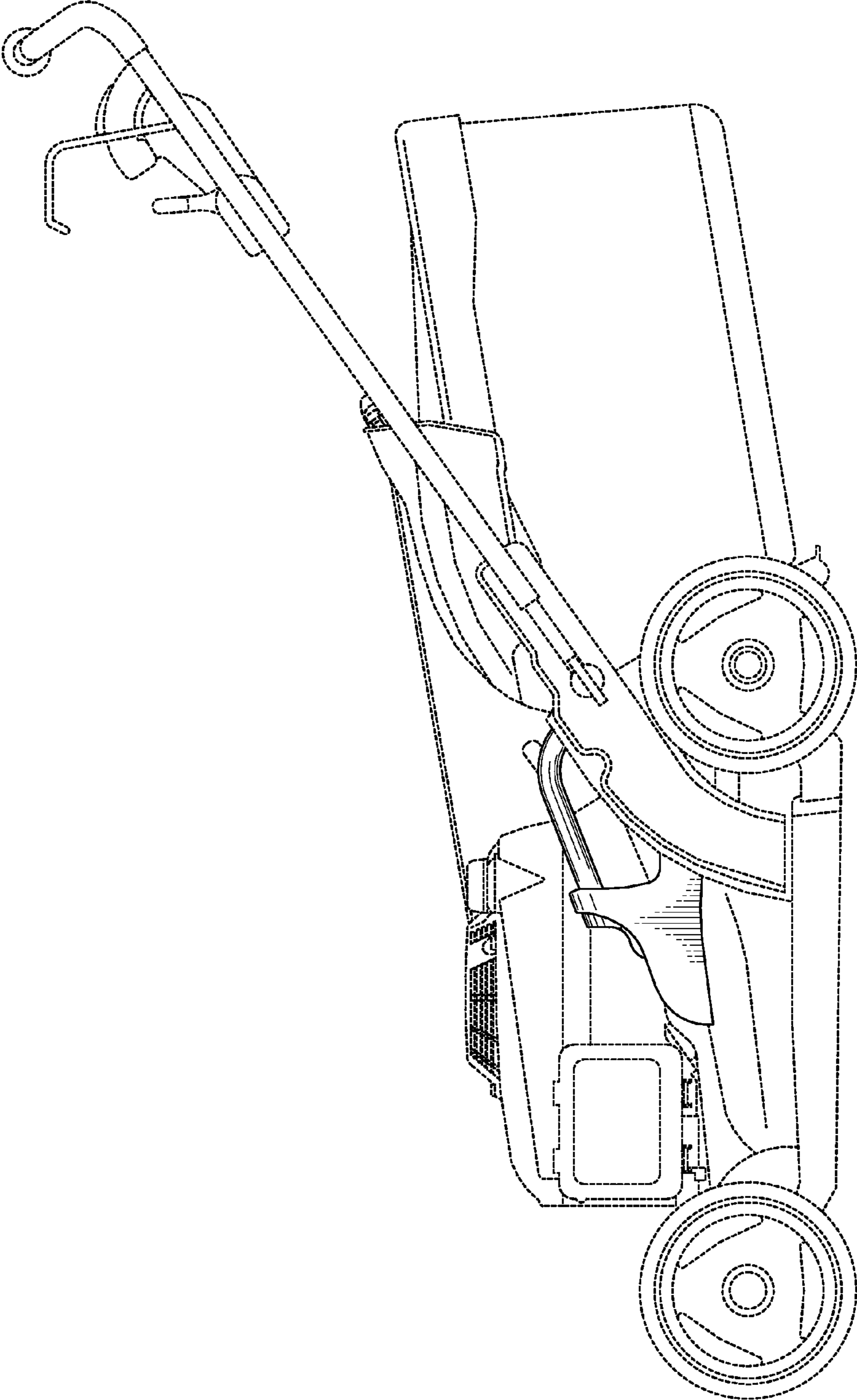
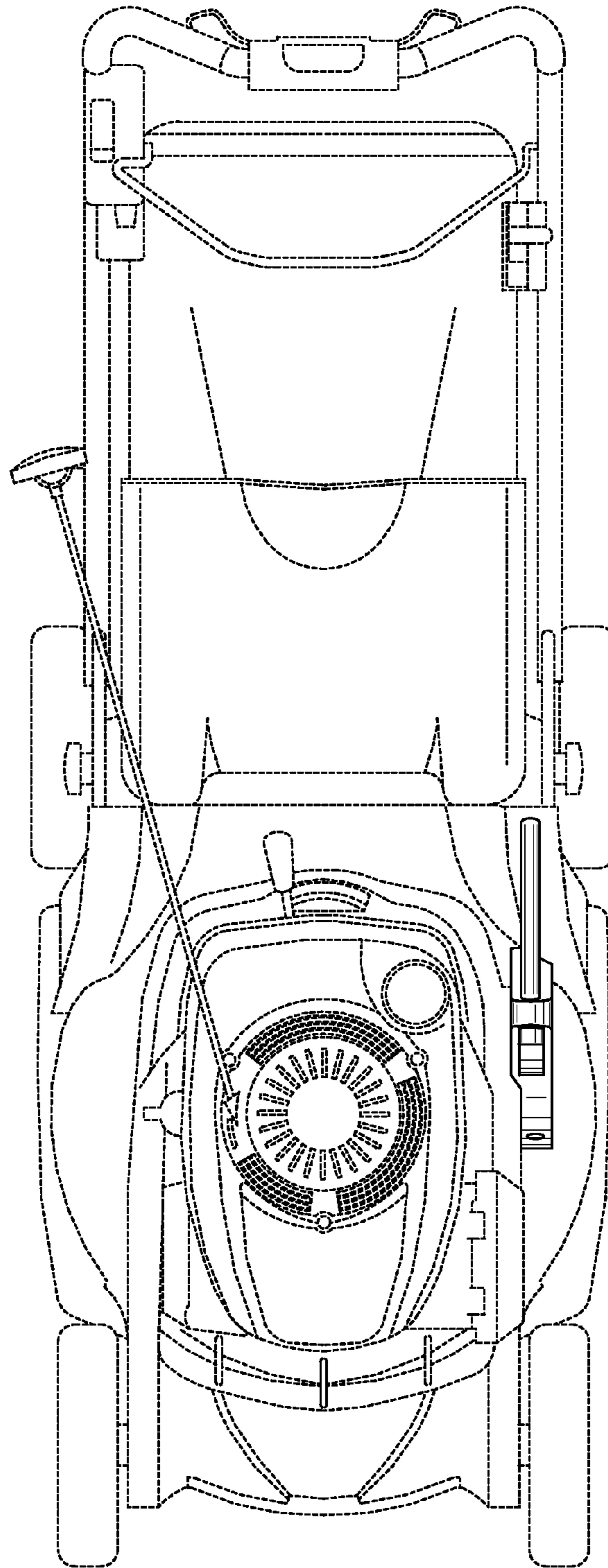


Fig. 4

Fig. 5



UNITED STATES PATENT AND TRADEMARK OFFICE
CERTIFICATE OF CORRECTION

PATENT NO. : D648,754 S
APPLICATION NO. : 29/390441
DATED : November 15, 2011
INVENTOR(S) : Hiromi Yuzuriha

Page 1 of 1

It is certified that error appears in the above-identified patent and that said Letters Patent is hereby corrected as shown below:

On the cover page:

Insert item

-- (30) **Foreign Application Priority Data**

November 5, 2012 (EPO)..... 001244255-0001 --

Signed and Sealed this
Nineteenth Day of March, 2013



Teresa Stanek Rea
Acting Director of the United States Patent and Trademark Office

UNITED STATES PATENT AND TRADEMARK OFFICE
CERTIFICATE OF CORRECTION

PATENT NO. : D648,754 S
APPLICATION NO. : 29/390441
DATED : November 15, 2011
INVENTOR(S) : Hiromi Yuzuriha

Page 1 of 1

It is certified that error appears in the above-identified patent and that said Letters Patent is hereby corrected as shown below:

On the title page:

Insert item

-- (30) **Foreign Application Priority Data**

November 5, 2010 (EPO)..... 001244255-0001 --

This certificate supersedes the Certificate of Correction issued March 19, 2013.

Signed and Sealed this
Twenty-eighth Day of May, 2013



Teresa Stanek Rea
Acting Director of the United States Patent and Trademark Office