



US00D648752S

(12) **United States Design Patent**
Chu

(10) **Patent No.:** **US D648,752 S**
(45) **Date of Patent:** **** Nov. 15, 2011**

- (54) **CAP FOR AIR COMPRESSOR**
- (76) Inventor: **Henry C. Chu**, Orange, CA (US)
- (**) Term: **14 Years**
- (21) Appl. No.: **29/373,418**
- (22) Filed: **Apr. 6, 2011**
- (51) **LOC (9) Cl.** **15-02**
- (52) **U.S. Cl.** **D15/9**
- (58) **Field of Classification Search** D15/7-9;
D23/231, 232; 417/410.1, 359, 415-416,
417/234, 321, 265, 405, 313
See application file for complete search history.

D574,855 S *	8/2008	Chu	D15/9
D574,858 S *	8/2008	Chu	D15/9
D575,306 S *	8/2008	Chu	D15/9
D575,307 S *	8/2008	Chu	D15/9
D575,802 S *	8/2008	Chu	D15/9
D589,064 S *	3/2009	Chu	D15/9
D589,534 S *	3/2009	Chu	D15/9

* cited by examiner

Primary Examiner — R. Seifert

(74) *Attorney, Agent, or Firm* — Charles E. Baxley

(57) **CLAIM**

The ornamental design for a cap for air compressor, as shown and described.

DESCRIPTION

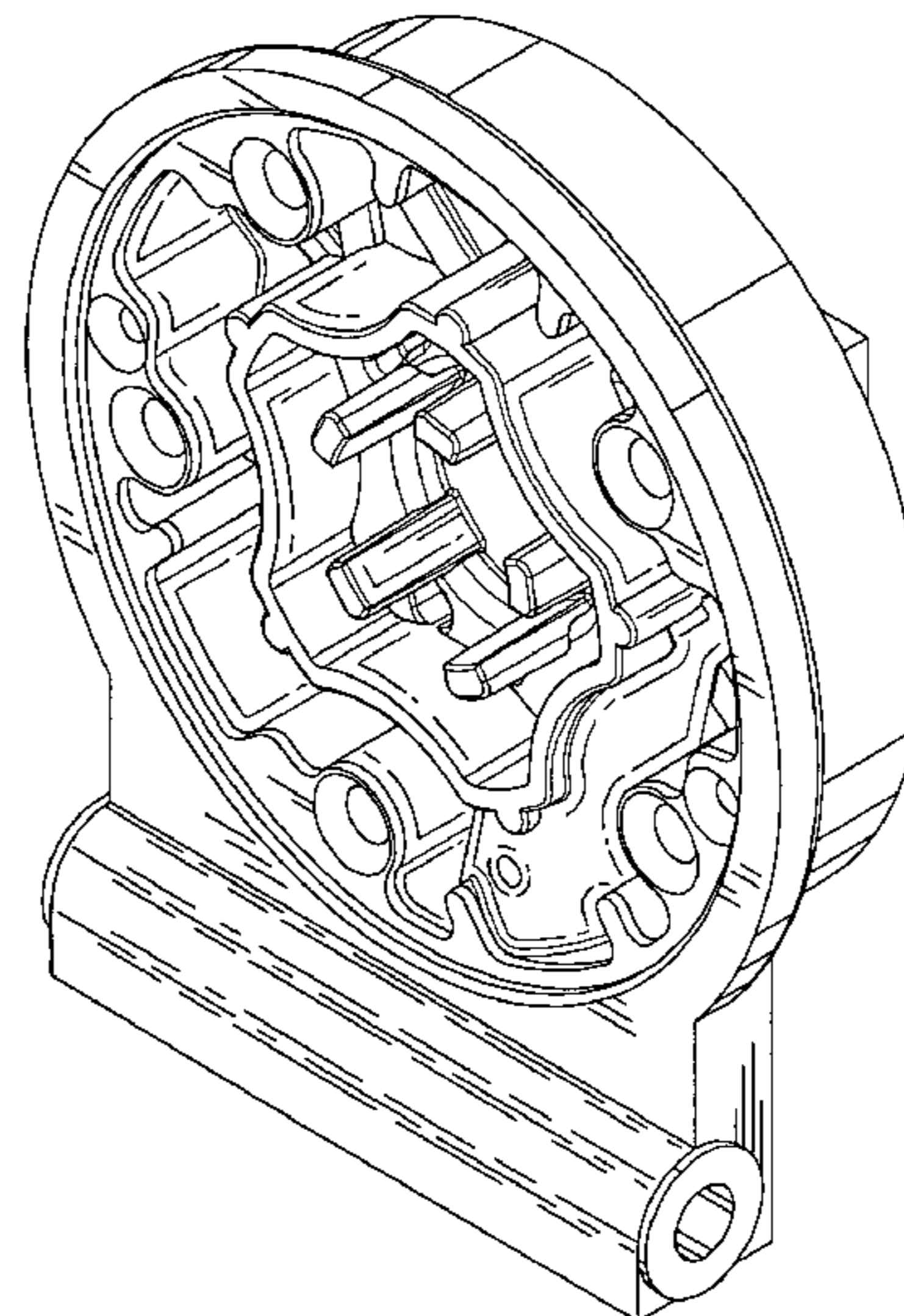
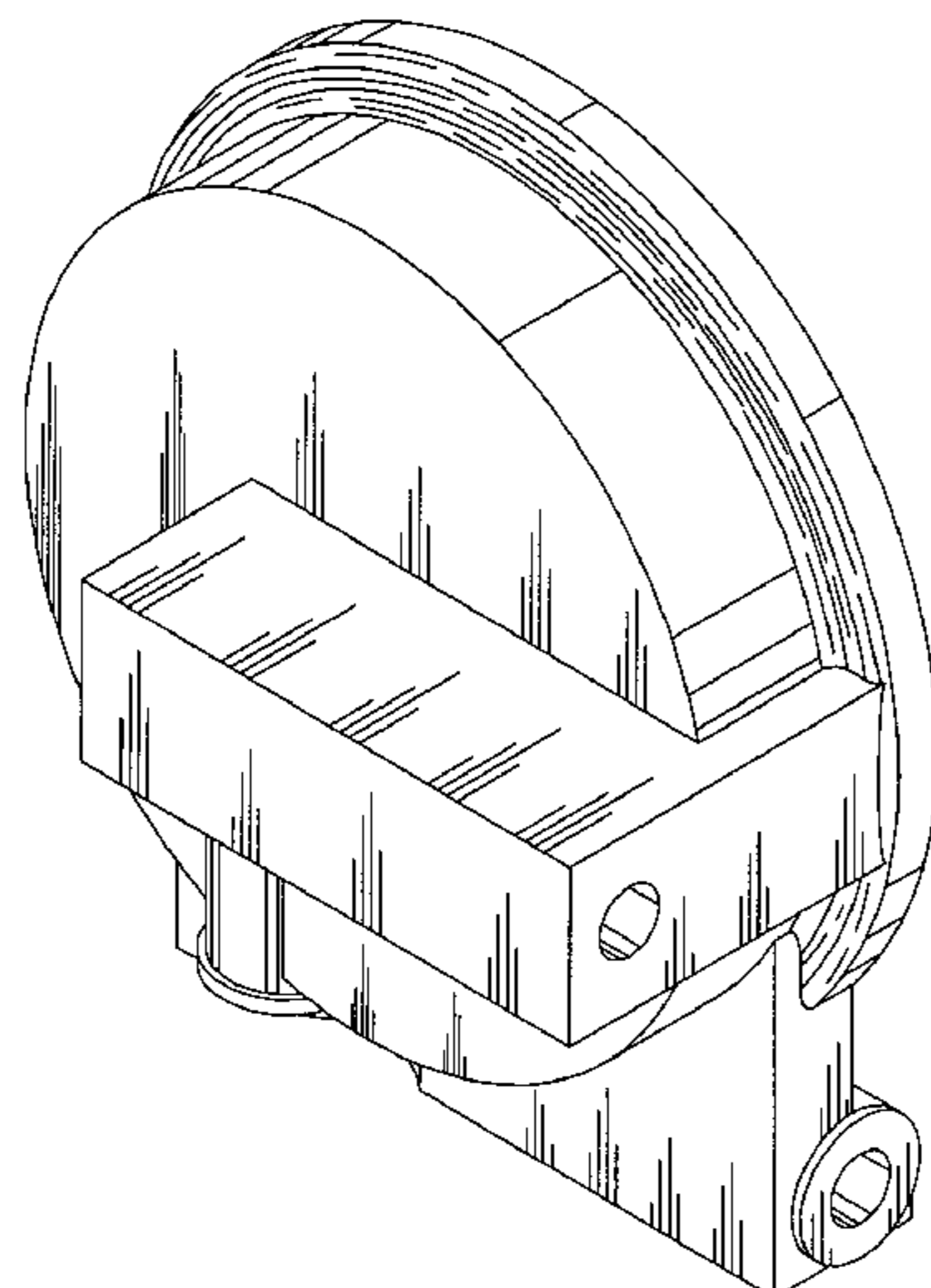
FIG. 1 is a front perspective view of a cap for air compressor showing my new design;
 FIG. 2 is a front elevational view thereof;
 FIG. 3 is a rear elevational view thereof;
 FIG. 4 is a top plan view thereof;
 FIG. 5 is a bottom plan view thereof;
 FIG. 6 is a left side elevational view thereof;
 FIG. 7 is a right side elevational view thereof;
 FIG. 8 is a rear perspective view thereof;
 FIG. 9 is a front perspective view thereof, the opening and the depressions and the bulges depicted by means of broken lines being for illustrative purposes only and forming no part of the claimed design;
 FIG. 10 is a rear perspective view thereof, the notch depicted by means of broken lines being for illustrative purposes only and forming no part of the claimed design; and,
 FIG. 11 is a front elevational view thereof, the opening and the depressions and the bulges depicted by means of broken lines being for illustrative purposes only and forming no part of the claimed design.

1 Claim, 6 Drawing Sheets

(56) **References Cited**

U.S. PATENT DOCUMENTS

D506,477 S *	6/2005	Chu et al.	D15/9
D507,280 S *	7/2005	Chu et al.	D15/9
D529,049 S *	9/2006	Chu	D15/9
D529,050 S *	9/2006	Chu	D15/9
D529,517 S *	10/2006	Chu	D15/9
D529,927 S *	10/2006	Chu	D15/9
D529,928 S *	10/2006	Chu	D15/9
D529,929 S *	10/2006	Chu	D15/9
D529,930 S *	10/2006	Chu	D15/9
D533,881 S *	12/2006	Chu	D15/9
D540,824 S *	4/2007	Chu	D15/9
D541,307 S *	4/2007	Chu	D15/9
D541,308 S *	4/2007	Chu	D15/9
D554,666 S *	11/2007	Chu	D15/9
D554,667 S *	11/2007	Chu	D15/9
D555,174 S *	11/2007	Hwang	D15/9
D556,782 S *	12/2007	Chu	D15/9
D556,783 S *	12/2007	Chu	D15/9
D556,784 S *	12/2007	Chu	D15/9
D556,785 S *	12/2007	Chu	D15/9
D556,786 S *	12/2007	Chu	D15/9
D557,287 S *	12/2007	Chu	D15/9
D557,288 S *	12/2007	Chu	D15/9
D574,854 S *	8/2008	Chu	D15/9



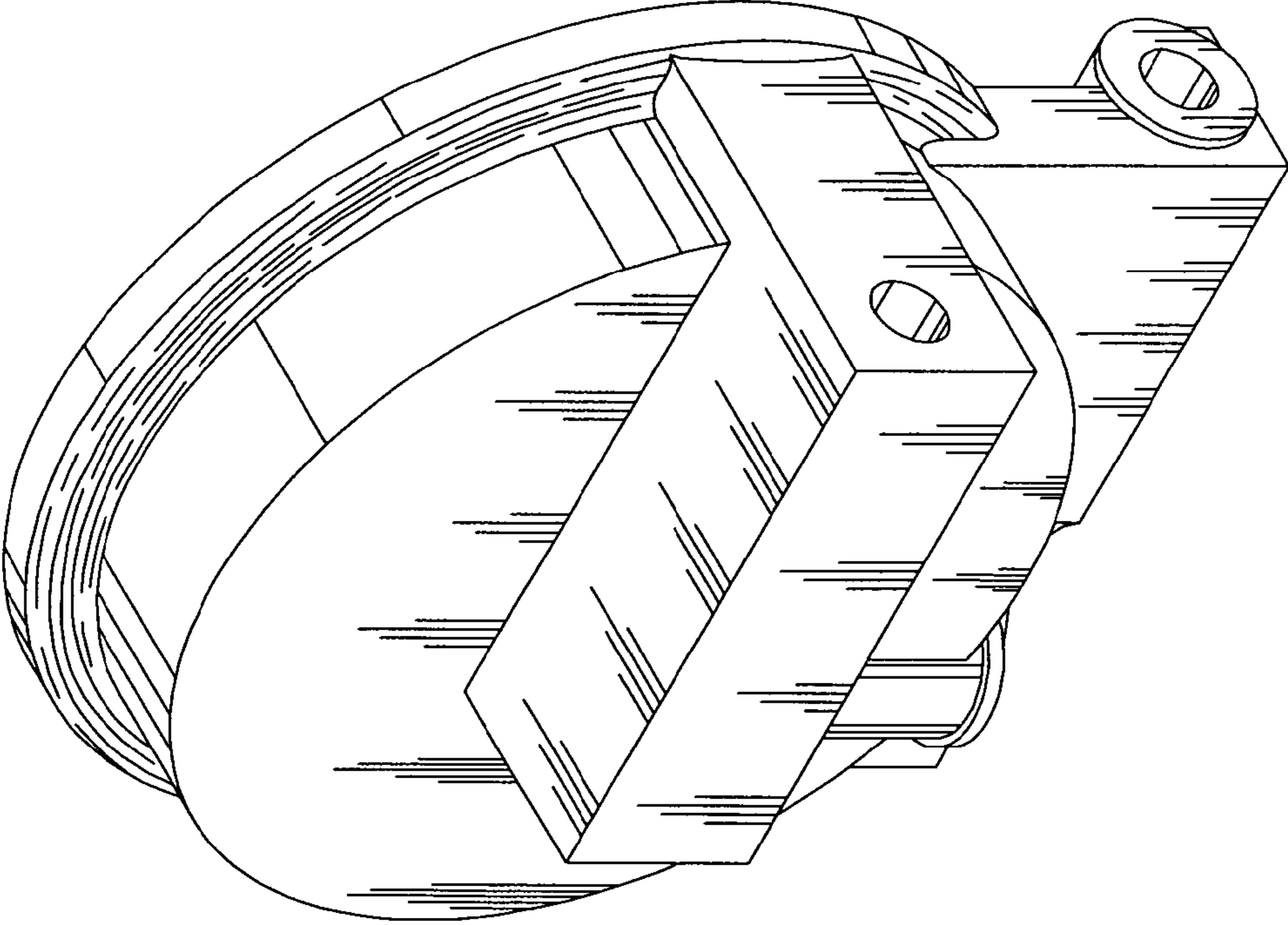


FIG. 1

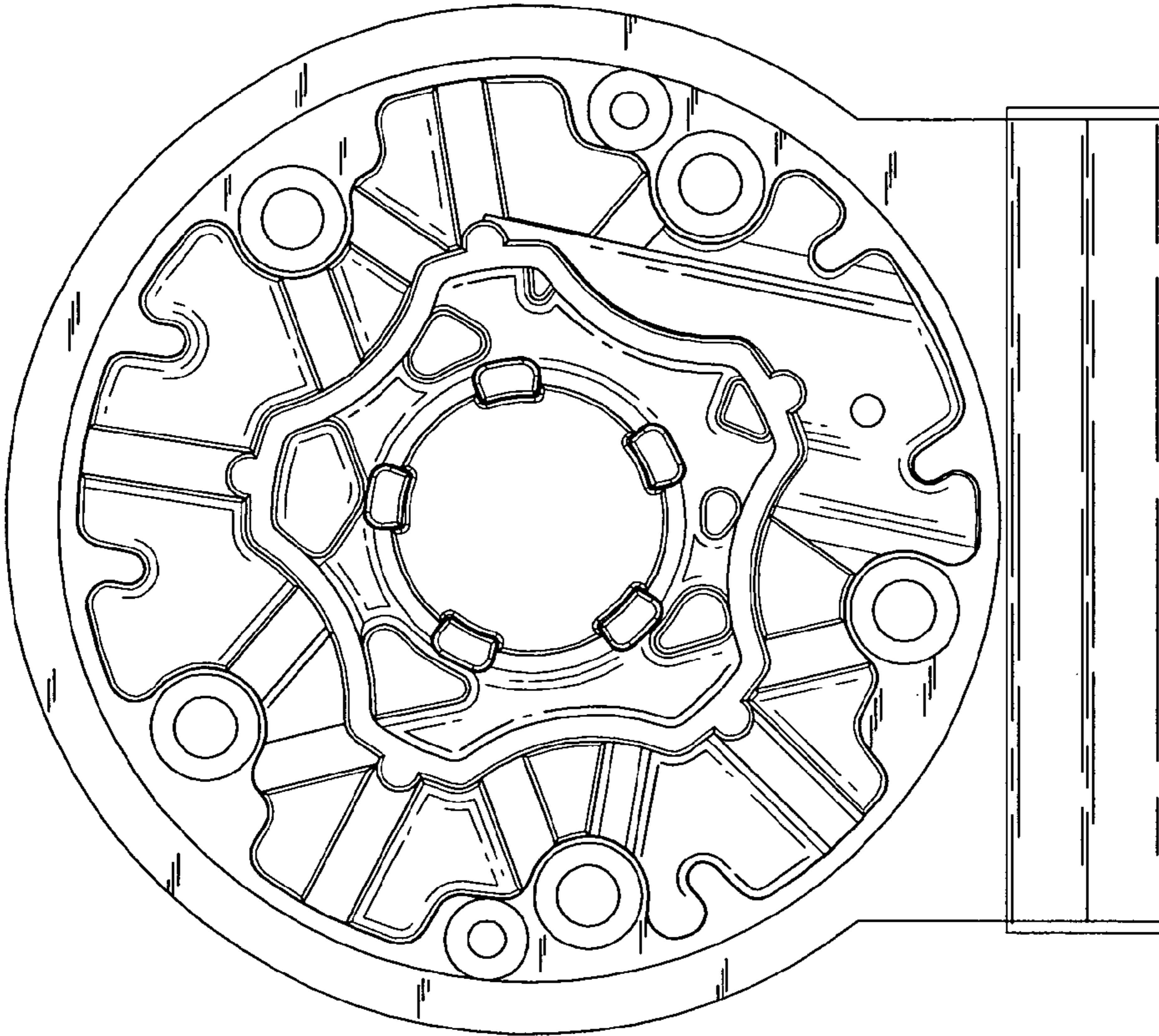


FIG. 3

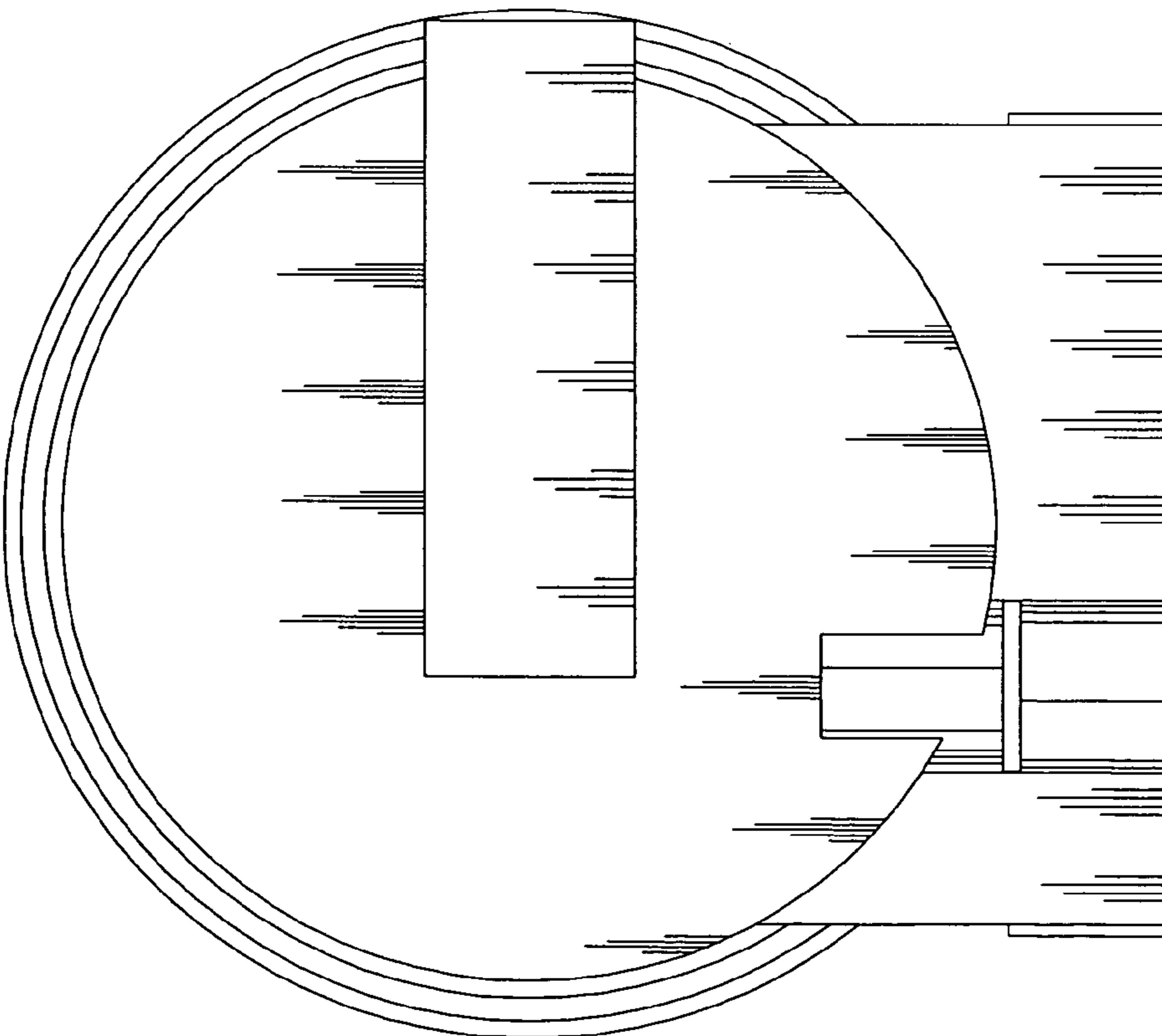


FIG. 2

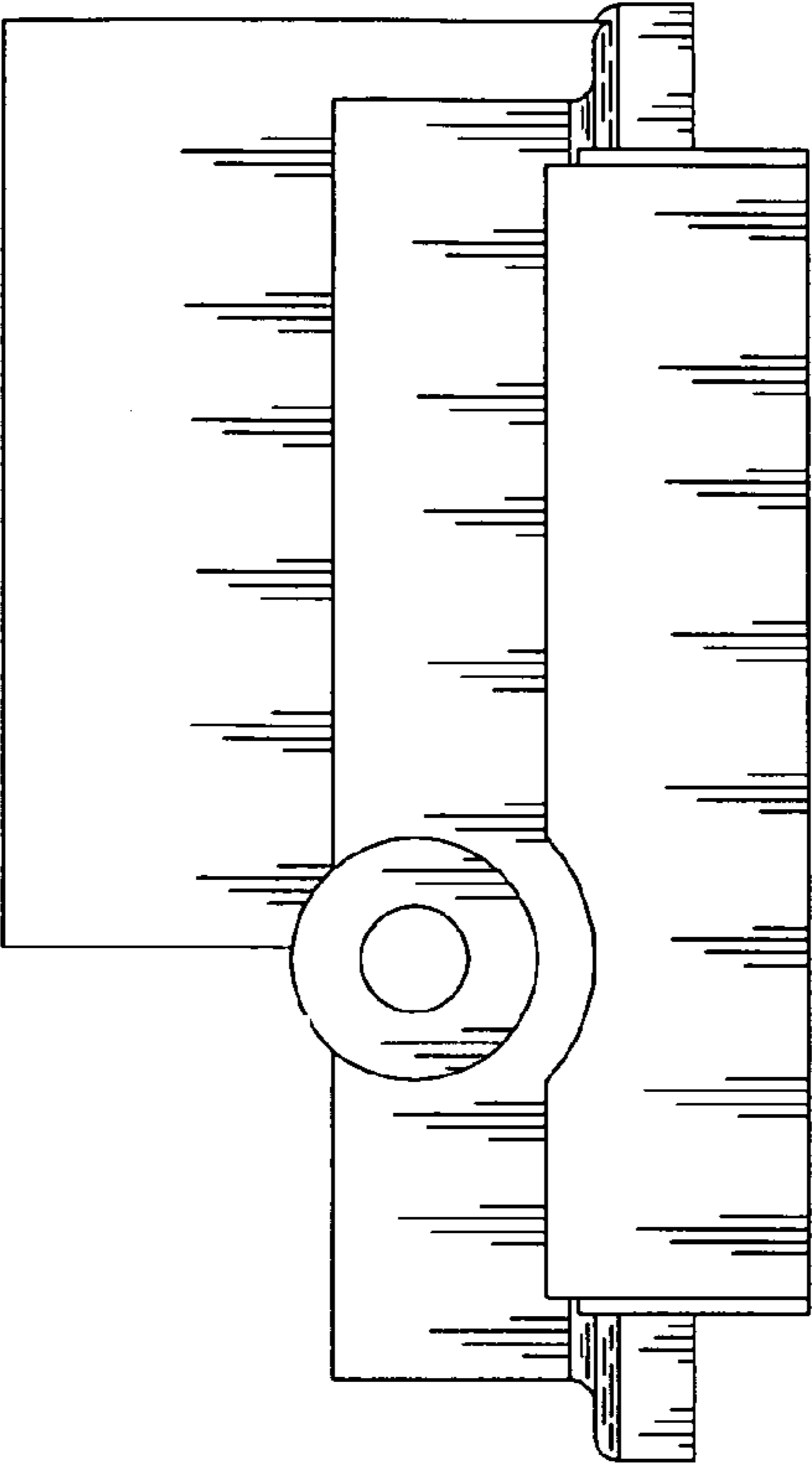


FIG. 4

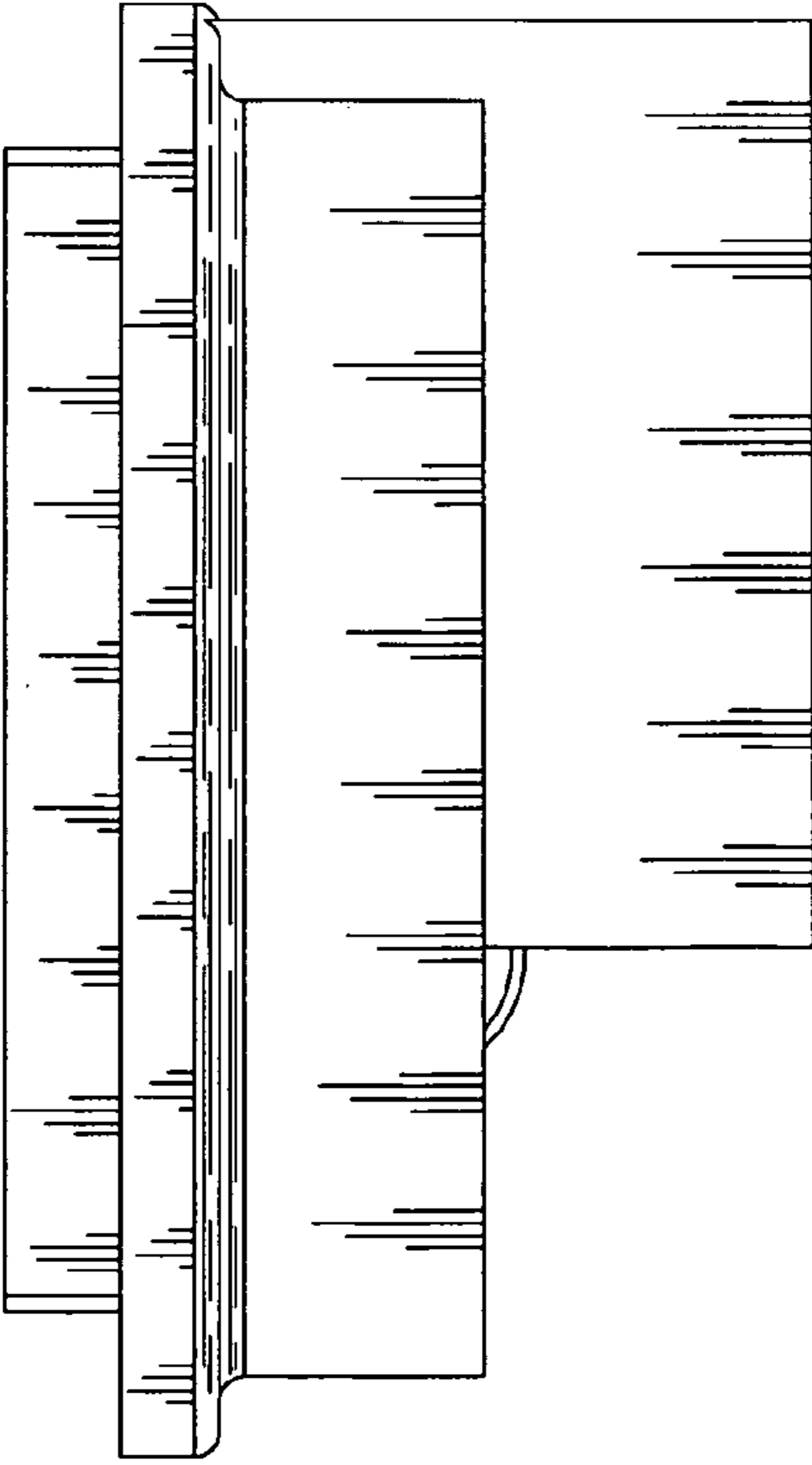


FIG. 5

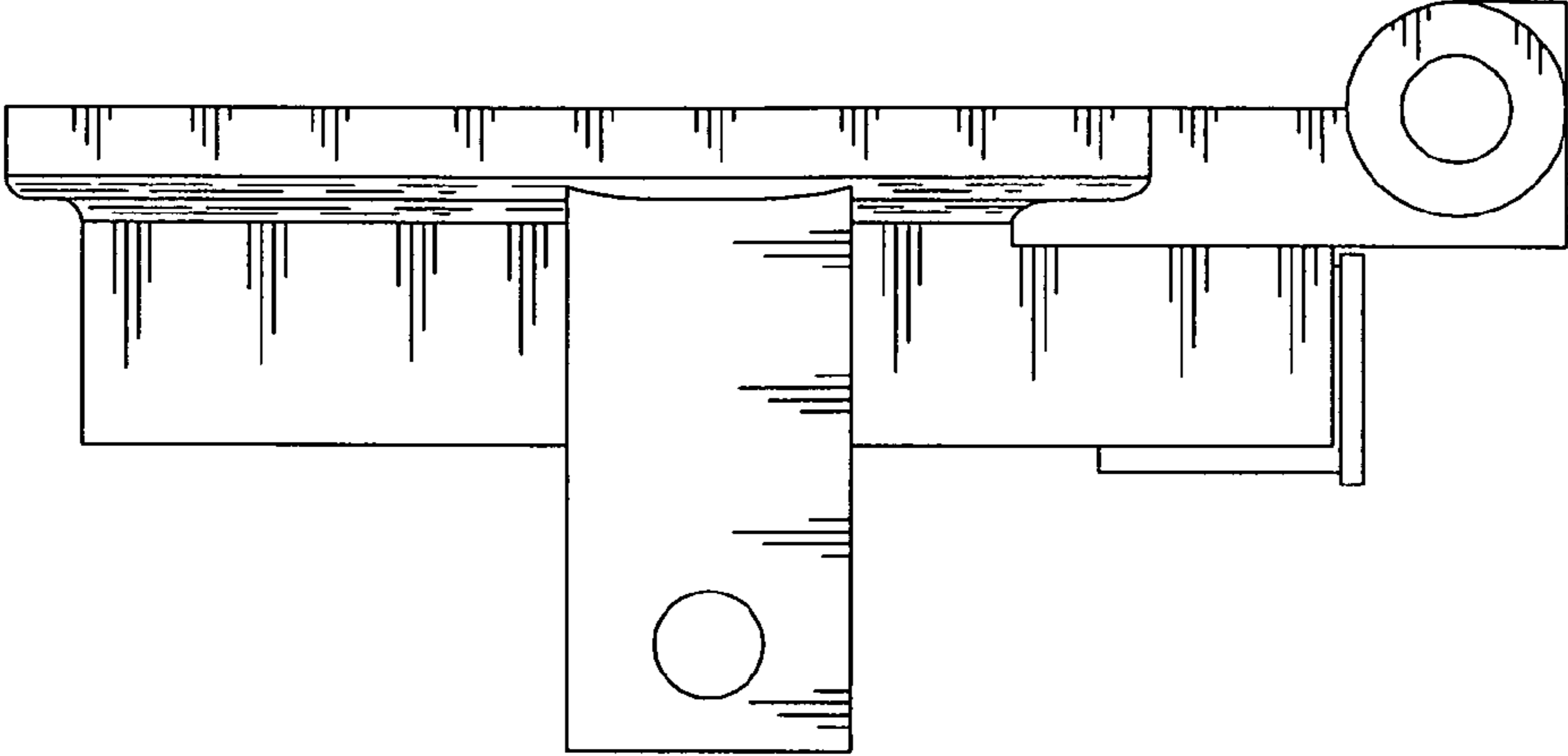


FIG. 7

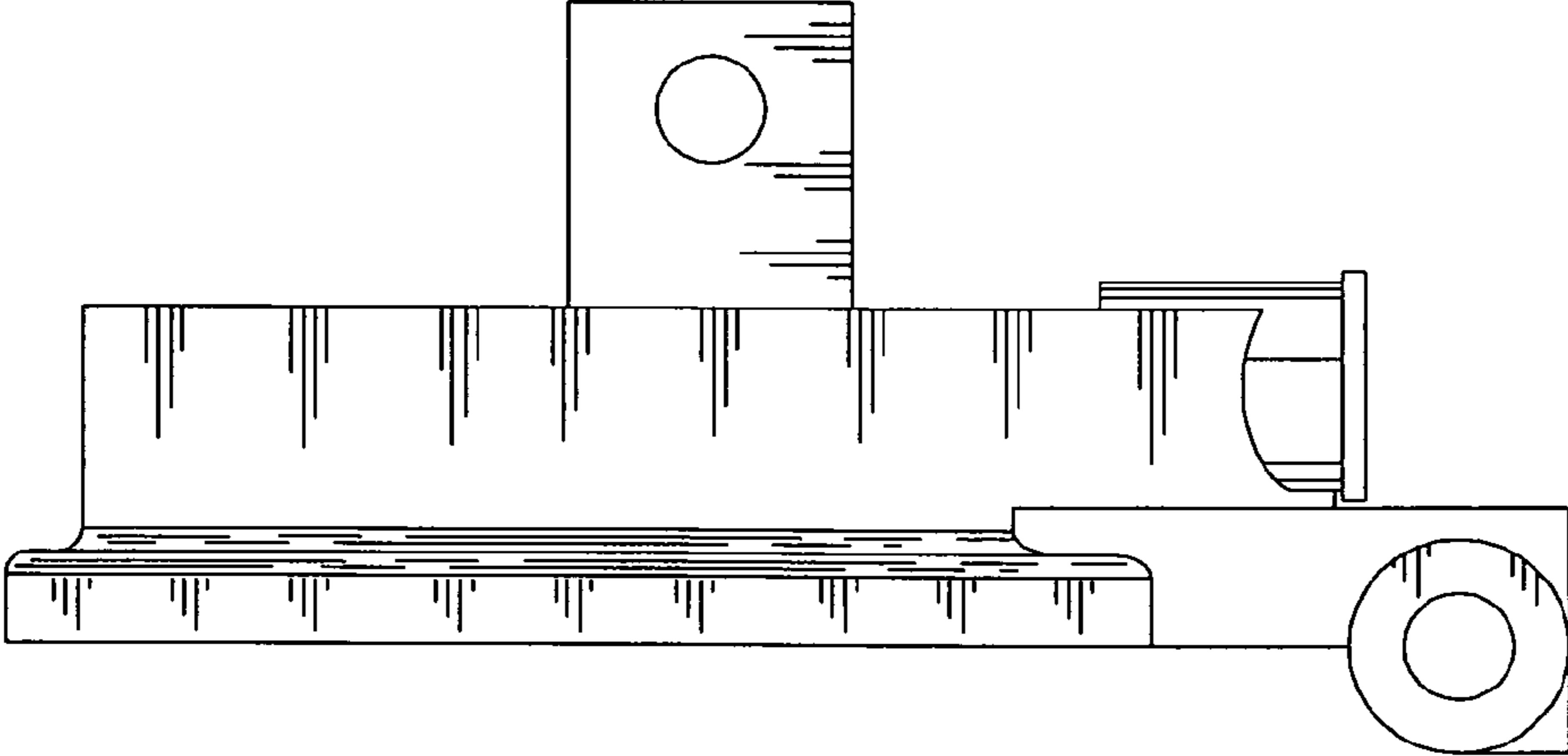


FIG. 6

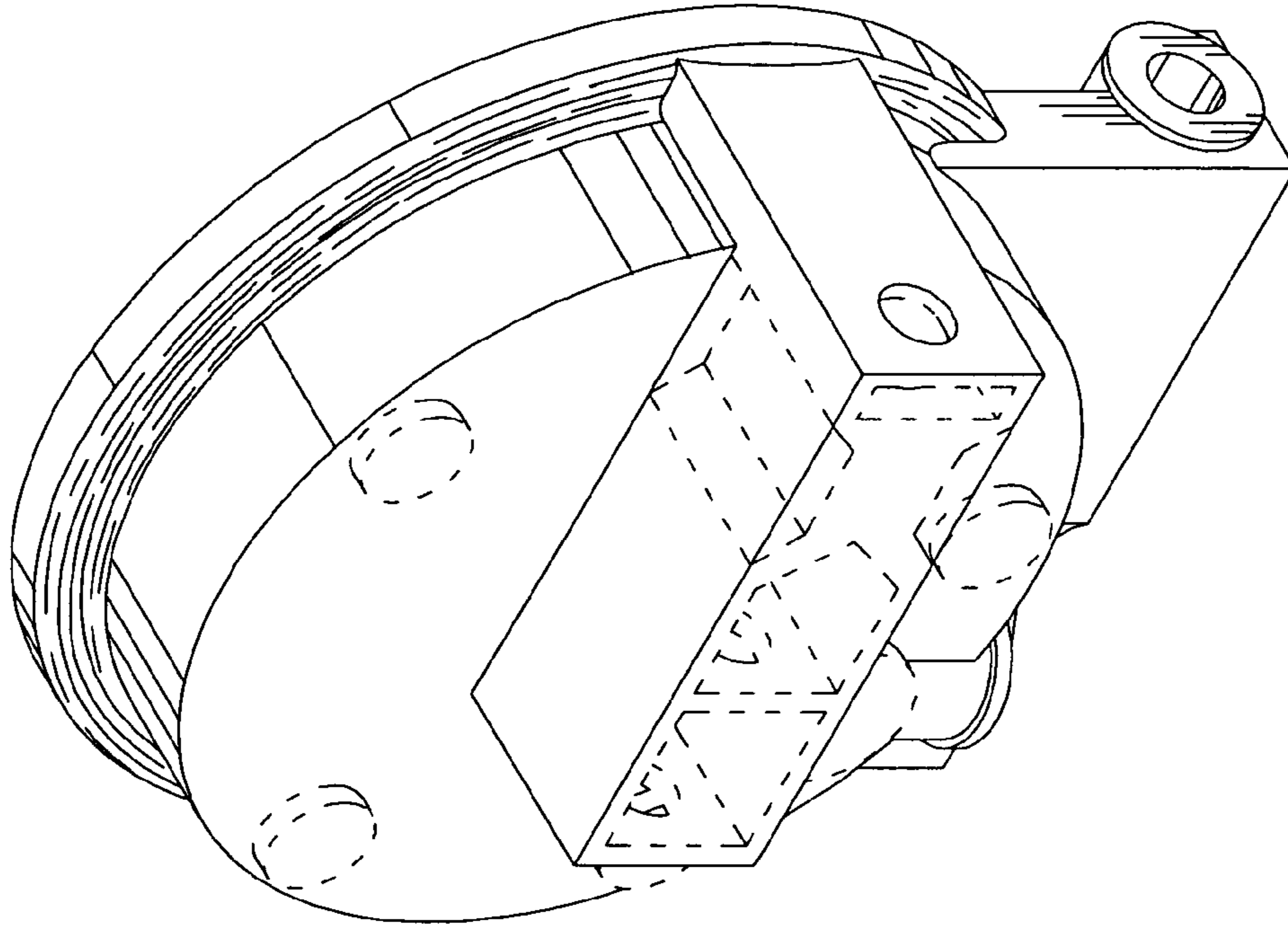


FIG. 9

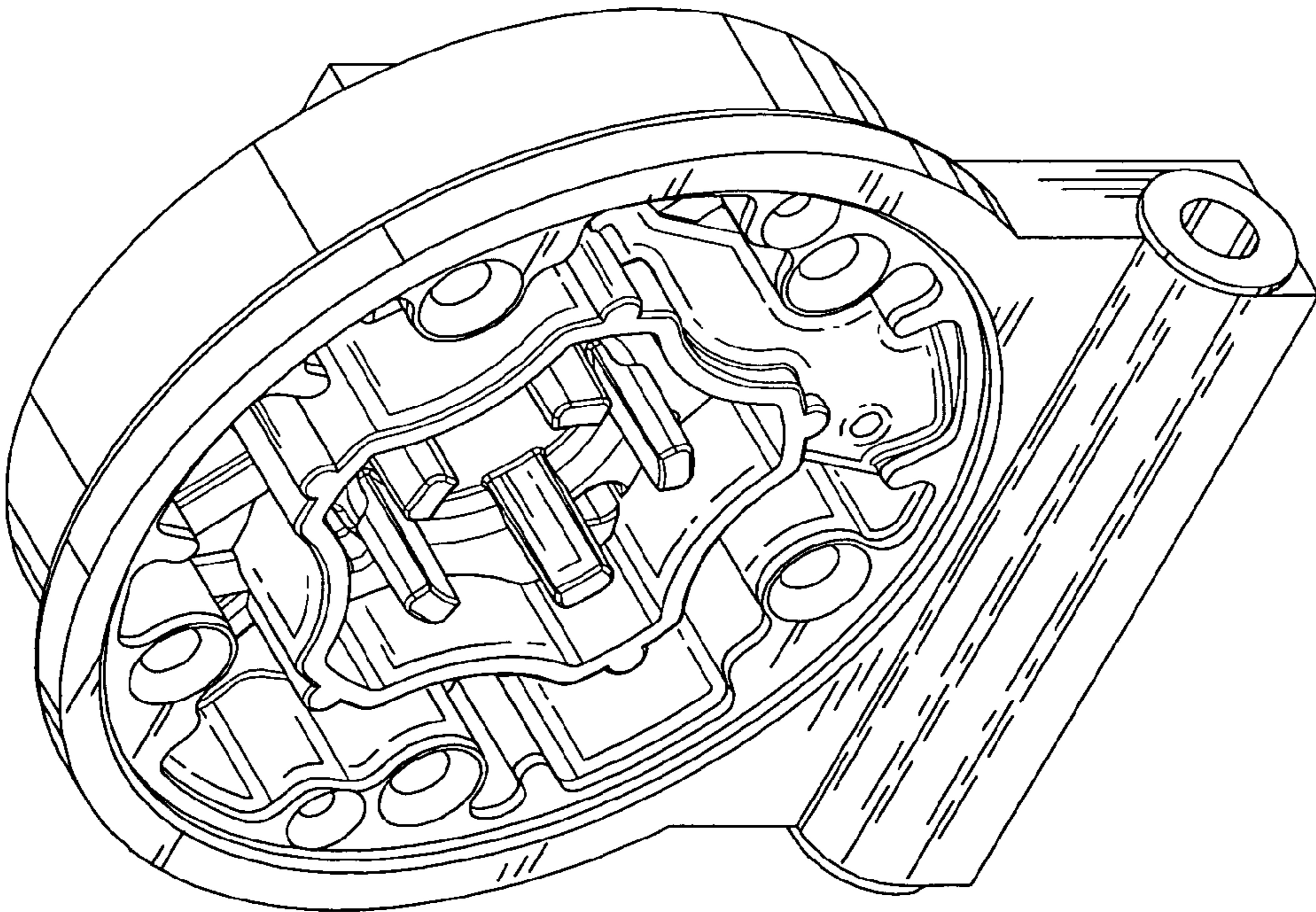


FIG. 8

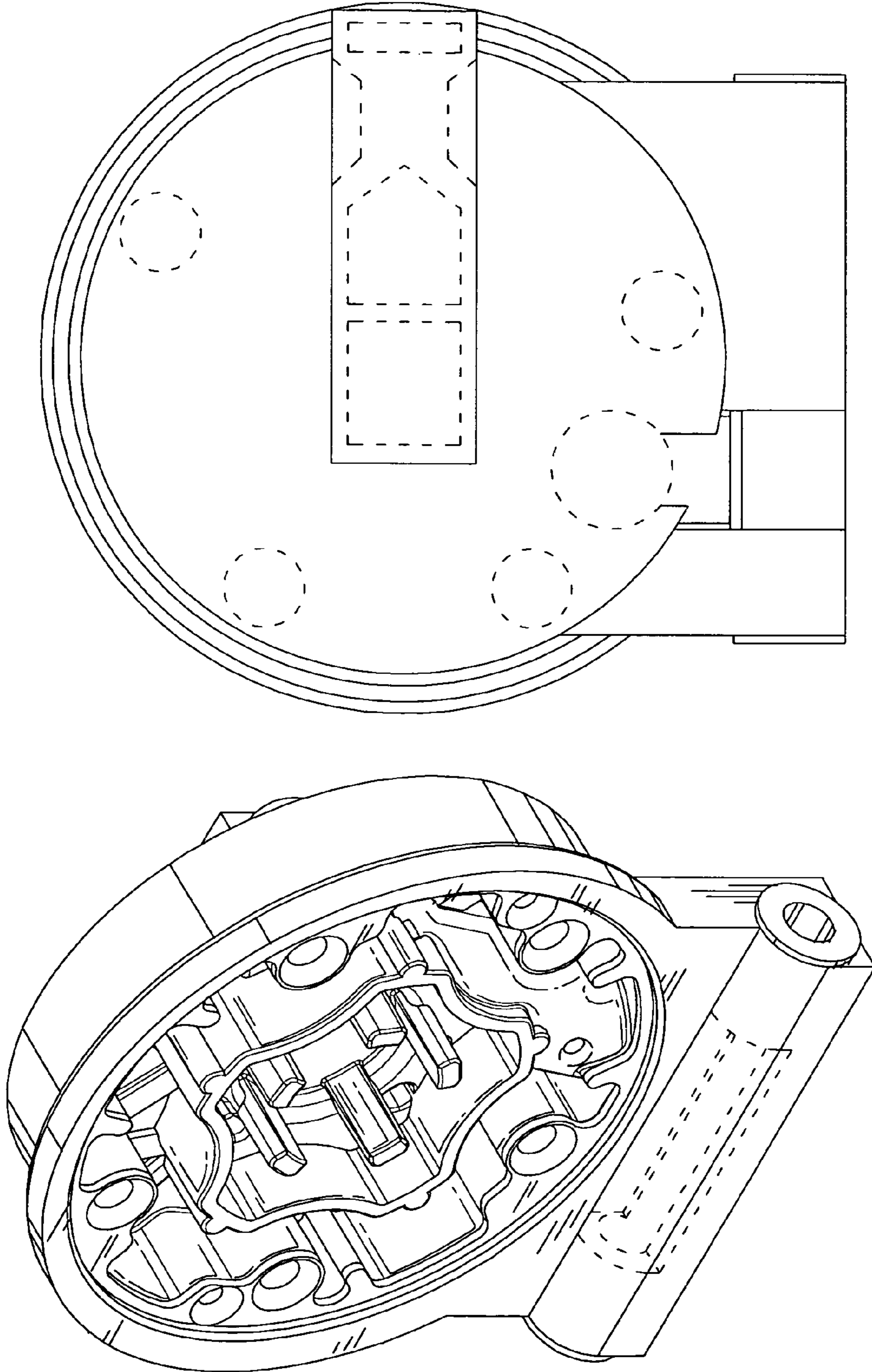


FIG. 11

FIG. 10