



US00D648748S

(12) **United States Design Patent**
Chu

(10) **Patent No.:** **US D648,748 S**

(45) **Date of Patent:** **** Nov. 15, 2011**

(54) **HOUSING FOR AIR COMPRESSOR**

(76) Inventor: **Henry C. Chu**, Orange, CA (US)

(**) Term: **14 Years**

(21) Appl. No.: **29/373,404**

(22) Filed: **Apr. 5, 2011**

(51) **LOC (9) Cl.** **15-02**

(52) **U.S. Cl.** **D15/9**

(58) **Field of Classification Search** D15/7-9;
D23/231, 232, 225; 417/60, 235, 265, 321,
417/355, 358, 363, 359, 410.1, 415-416,
417/405, 900; 60/408, 412; 184/26-37;
415/140-147; 123/495, 509

See application file for complete search history.

(56) **References Cited**

U.S. PATENT DOCUMENTS

D506,763 S *	6/2005	Chu	D15/9
D530,345 S *	10/2006	Chu	D15/9
D532,020 S *	11/2006	Chu	D15/9
D540,348 S *	4/2007	Chu	D15/7
D540,351 S *	4/2007	Chu	D15/9
D541,819 S *	5/2007	Chu	D15/9
D541,820 S *	5/2007	Chu	D15/9

D541,821 S *	5/2007	Chu	D15/9
D549,242 S *	8/2007	Chu	D15/9
D549,737 S *	8/2007	Chu	D15/9
D559,270 S *	1/2008	Hori et al.	D15/7
D583,392 S *	12/2008	Chu	D15/9
D589,063 S *	3/2009	Chu	D15/9
D621,420 S *	8/2010	Jiang	D15/9

* cited by examiner

Primary Examiner — Ralf Seifert

(74) *Attorney, Agent, or Firm* — Charles E. Baxley

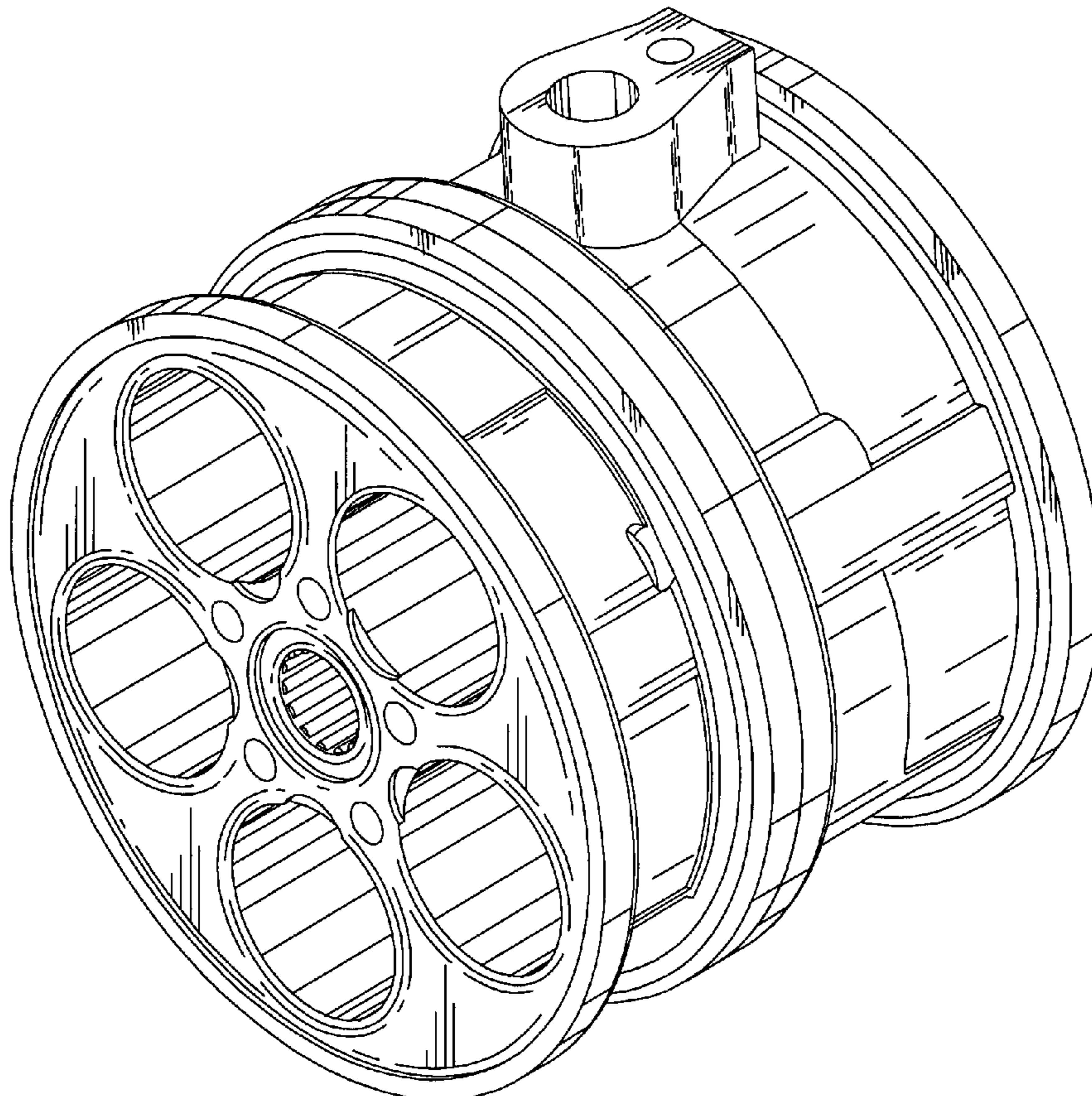
(57) **CLAIM**

The ornamental design for a housing for air compressor, as shown and described.

DESCRIPTION

FIG. 1 is a perspective view of a housing for air compressor showing my new design;
FIG. 2 is a front elevational view thereof;
FIG. 3 is a rear elevational view thereof;
FIG. 4 is a top plan view thereof;
FIG. 5 is a bottom plan view thereof;
FIG. 6 is a left side elevational view thereof; and,
FIG. 7 is a right side elevational view thereof.

1 Claim, 4 Drawing Sheets



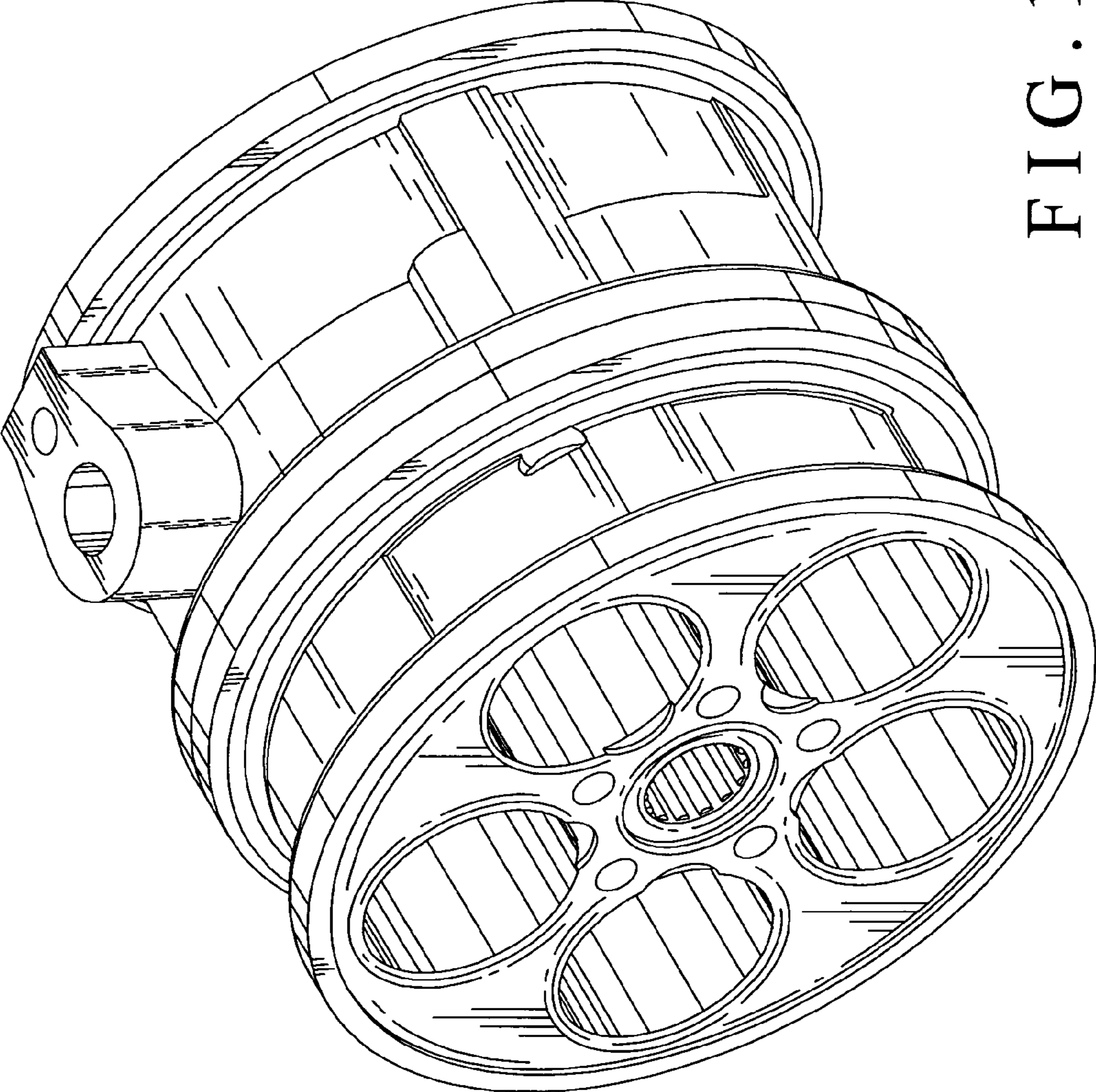


FIG. 1

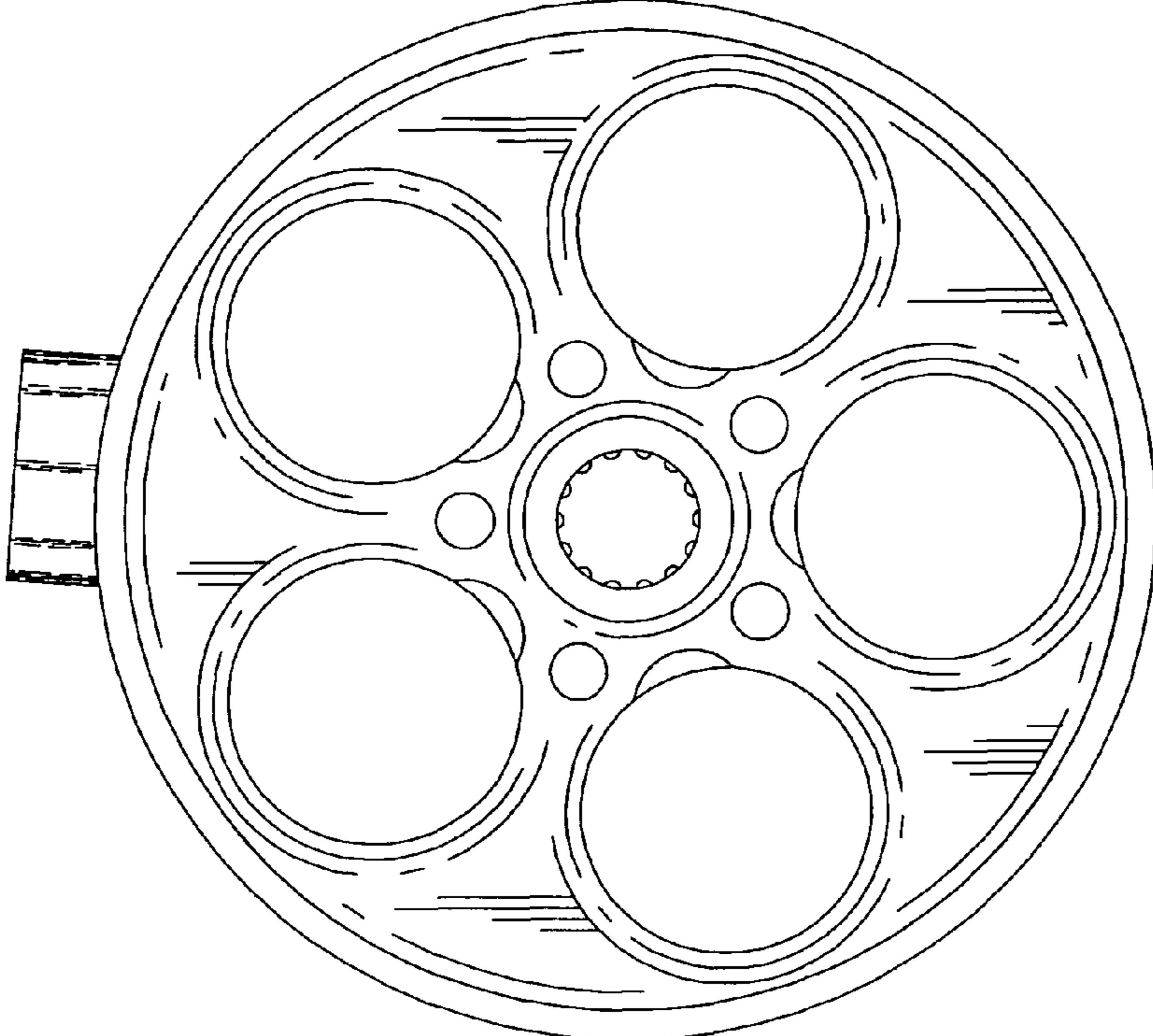


FIG. 3

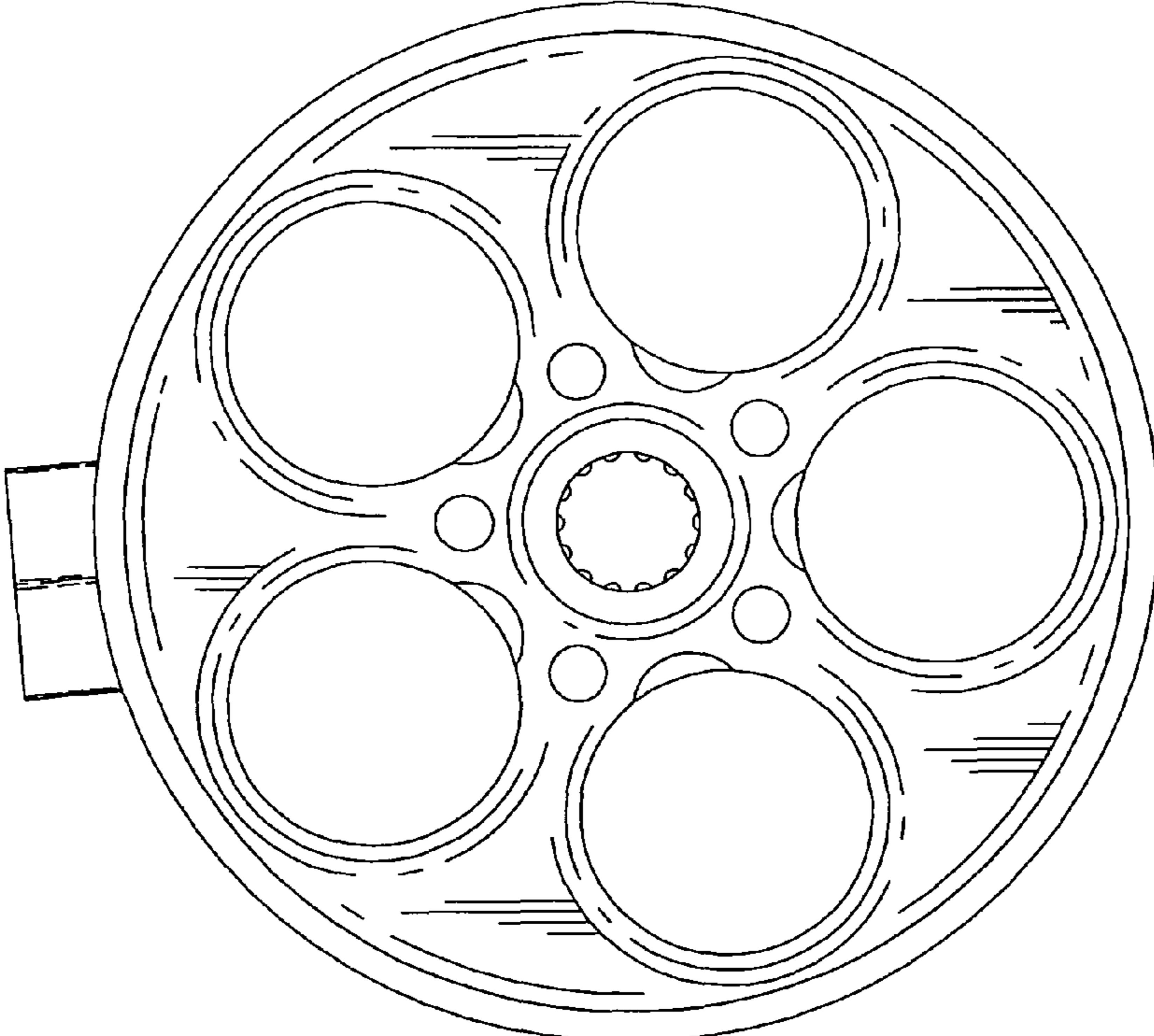


FIG. 2

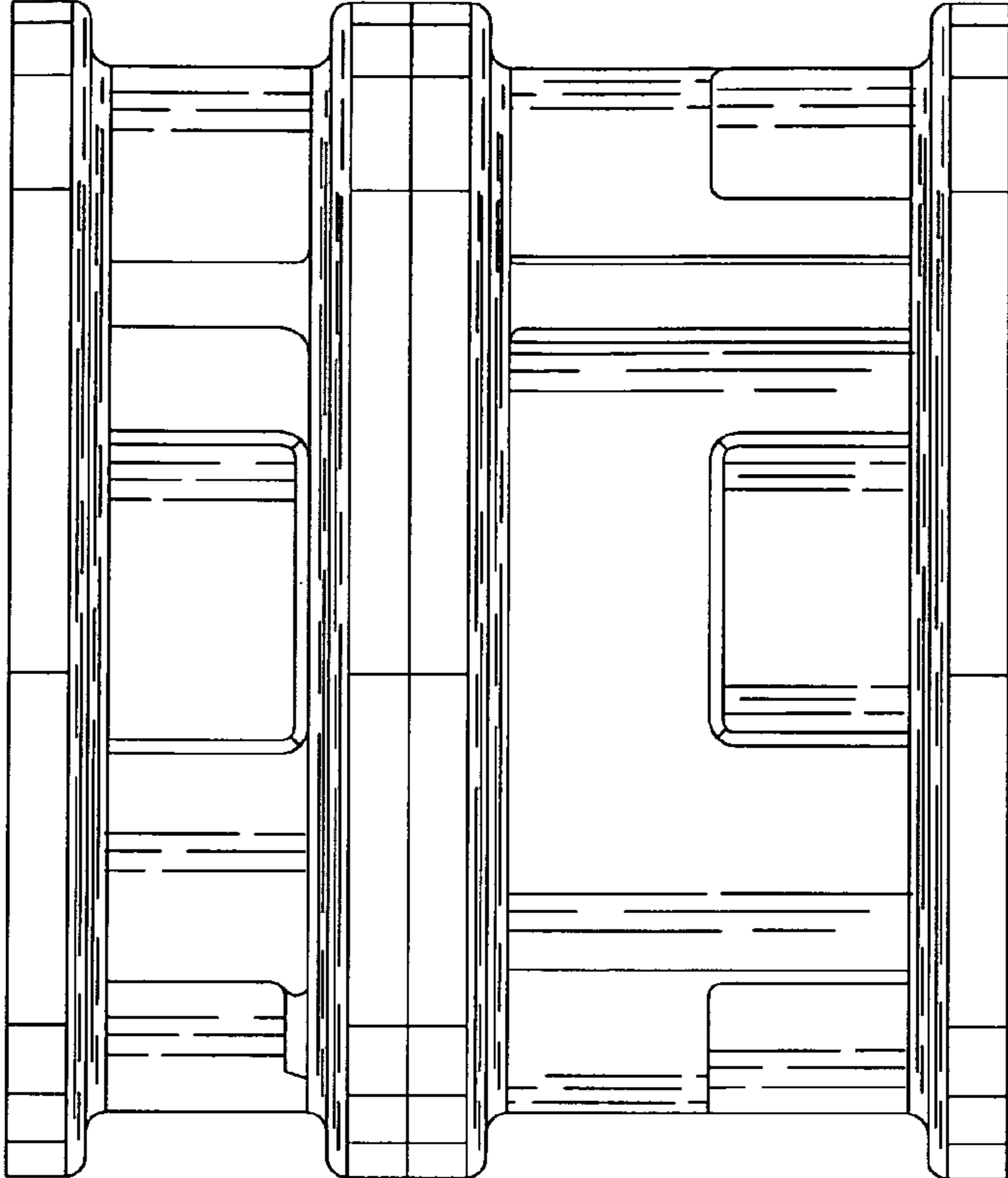


FIG. 5

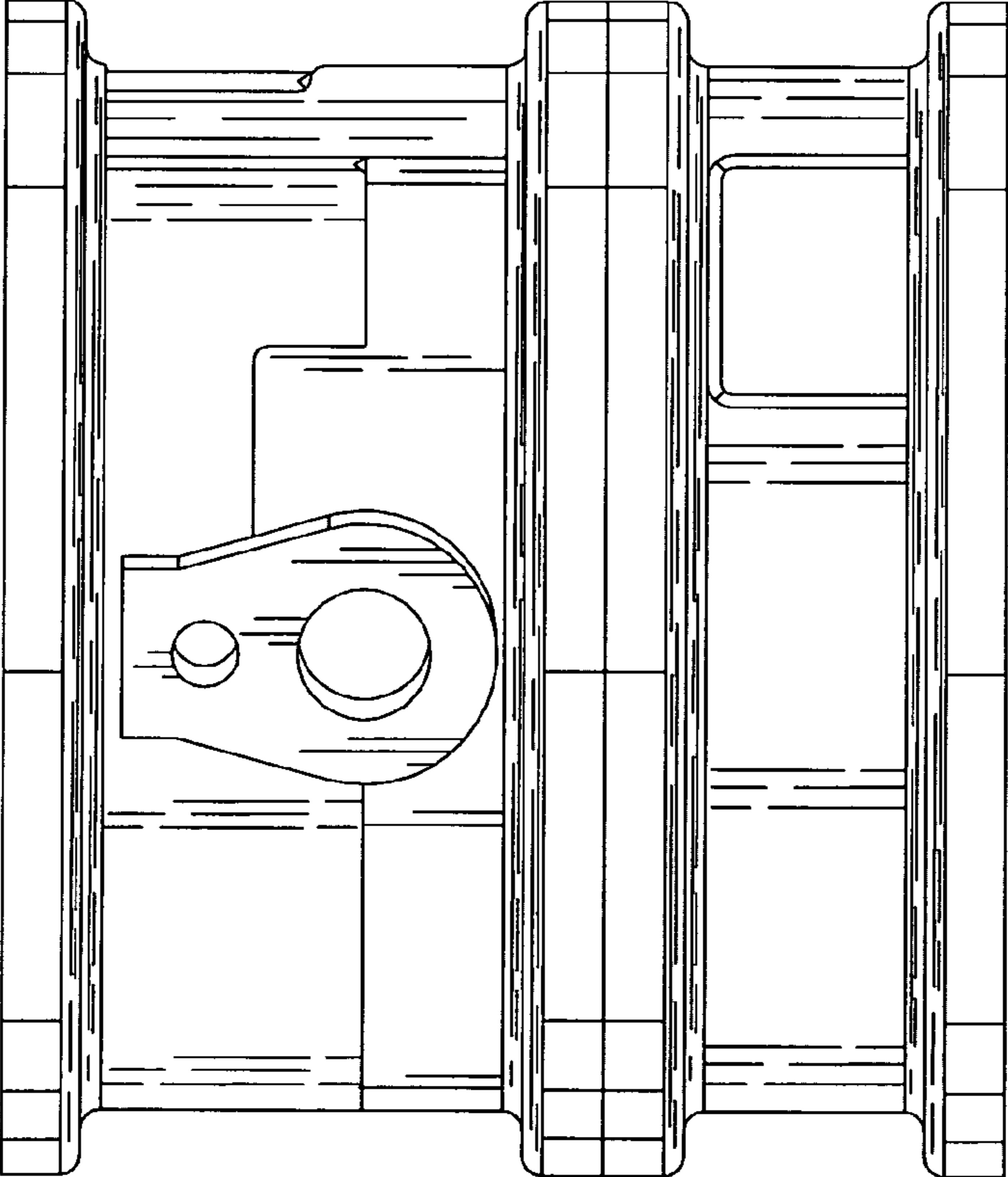


FIG. 4

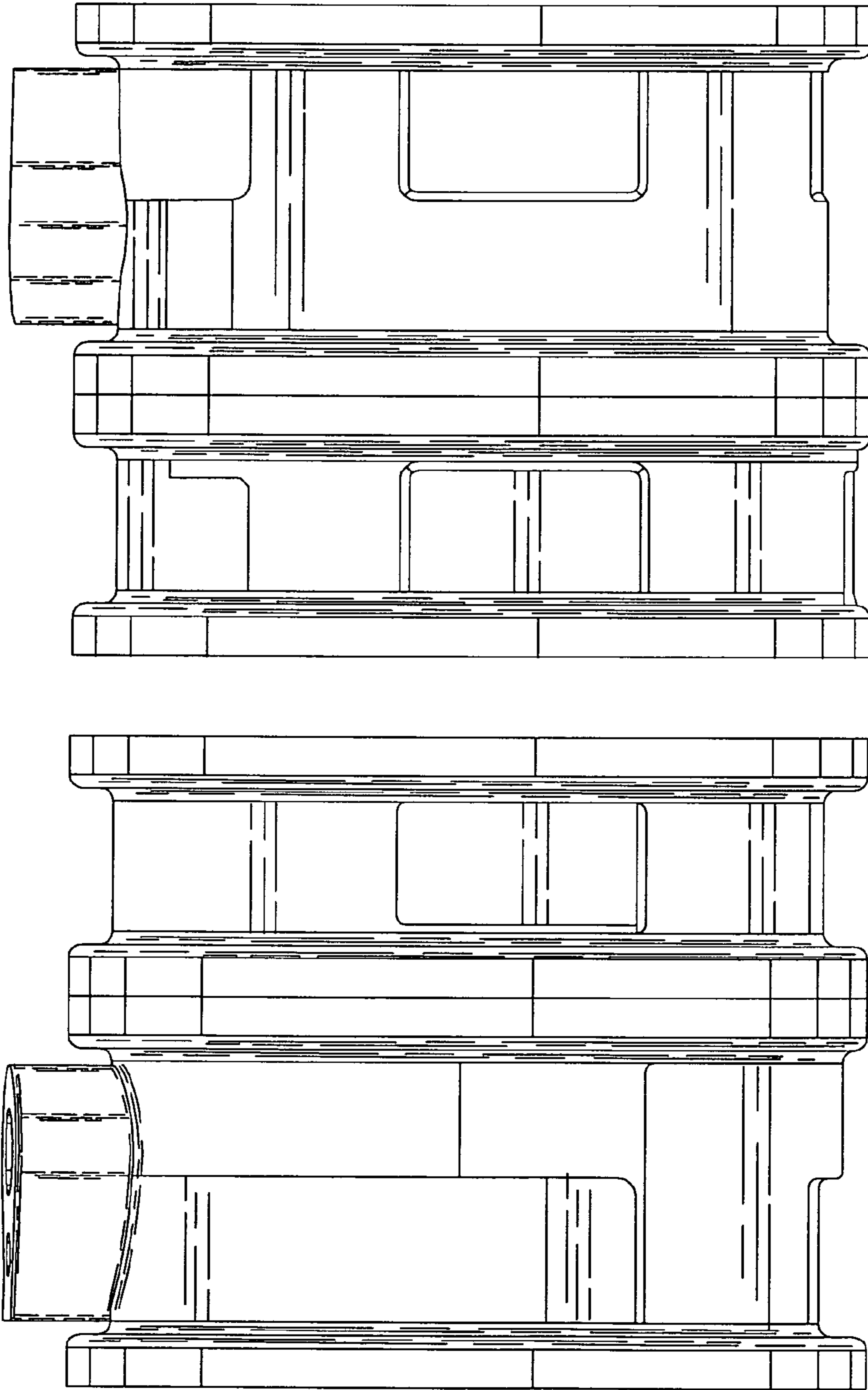


FIG. 7

FIG. 6