



US00D648747S

(12) **United States Design Patent**
McCombs et al.

(10) **Patent No.:** **US D648,747 S**
(45) **Date of Patent:** **** Nov. 15, 2011**

- (54) **COMPRESSOR END CAP**
 - (75) Inventors: **Norman R. McCombs**, Tonawanda, NY (US); **Robert Bosinski**, West Seneca, NY (US); **Michael R. Valvo**, East Aurora, NY (US)
 - (73) Assignee: **AirSep Corporation**, Buffalo, NY (US)
 - (**) Term: **14 Years**
 - (21) Appl. No.: **29/361,599**
 - (22) Filed: **May 13, 2010**
 - (51) **LOC (9) Cl.** **15-02**
 - (52) **U.S. Cl.** **D15/9**
 - (58) **Field of Classification Search** D15/7-9;
D23/231, 232, 225; 417/60, 235, 265, 321,
417/355, 358, 363, 359, 410.1, 415-416,
417/405, 900; 60/408, 412; 184/26-37;
415/140-147; 123/495, 509
- See application file for complete search history.

- D537,453 S 2/2007 Chu
- D537,844 S 3/2007 Chu
- D540,824 S 4/2007 Chu
- D541,307 S 4/2007 Chu
- D541,308 S 4/2007 Chu
- D554,666 S 11/2007 Chu
- D554,667 S 11/2007 Chu
- D556,782 S 12/2007 Chu
- D556,783 S 12/2007 Chu
- D556,784 S 12/2007 Chu
- D556,785 S 12/2007 Chu
- D556,786 S 12/2007 Chu
- D557,287 S 12/2007 Chu
- D557,288 S 12/2007 Chu
- D574,854 S 8/2008 Chu
- D574,855 S 8/2008 Chu
- D574,858 S 8/2008 Chu
- D575,306 S 8/2008 Chu
- D575,307 S 8/2008 Chu
- D575,802 S 8/2008 Chu
- D589,064 S 3/2009 Chu
- D589,534 S 3/2009 Chu

(Continued)

FOREIGN PATENT DOCUMENTS

WO WO 2008-030839 3/2008

Primary Examiner — Ralf Seifert

(74) *Attorney, Agent, or Firm* — Hiscock & Barclay, LLP

(56) **References Cited**

U.S. PATENT DOCUMENTS

- D239,210 S * 3/1976 Marlow D15/7
- D243,281 S * 2/1977 Pareja D15/7
- 6,056,521 A 5/2000 Leu et al.
- 6,227,821 B1 5/2001 Leu et al.
- 6,331,101 B2 12/2001 Leu et al.
- D506,477 S 6/2005 Chu et al.
- D507,280 S 7/2005 Chu et al.
- D529,049 S 9/2006 Chu
- D529,050 S 9/2006 Chu
- D529,517 S 10/2006 Chu
- D529,927 S 10/2006 Chu
- D529,928 S 10/2006 Chu
- D529,929 S 10/2006 Chu
- D529,930 S 10/2006 Chu
- D533,881 S 12/2006 Chu

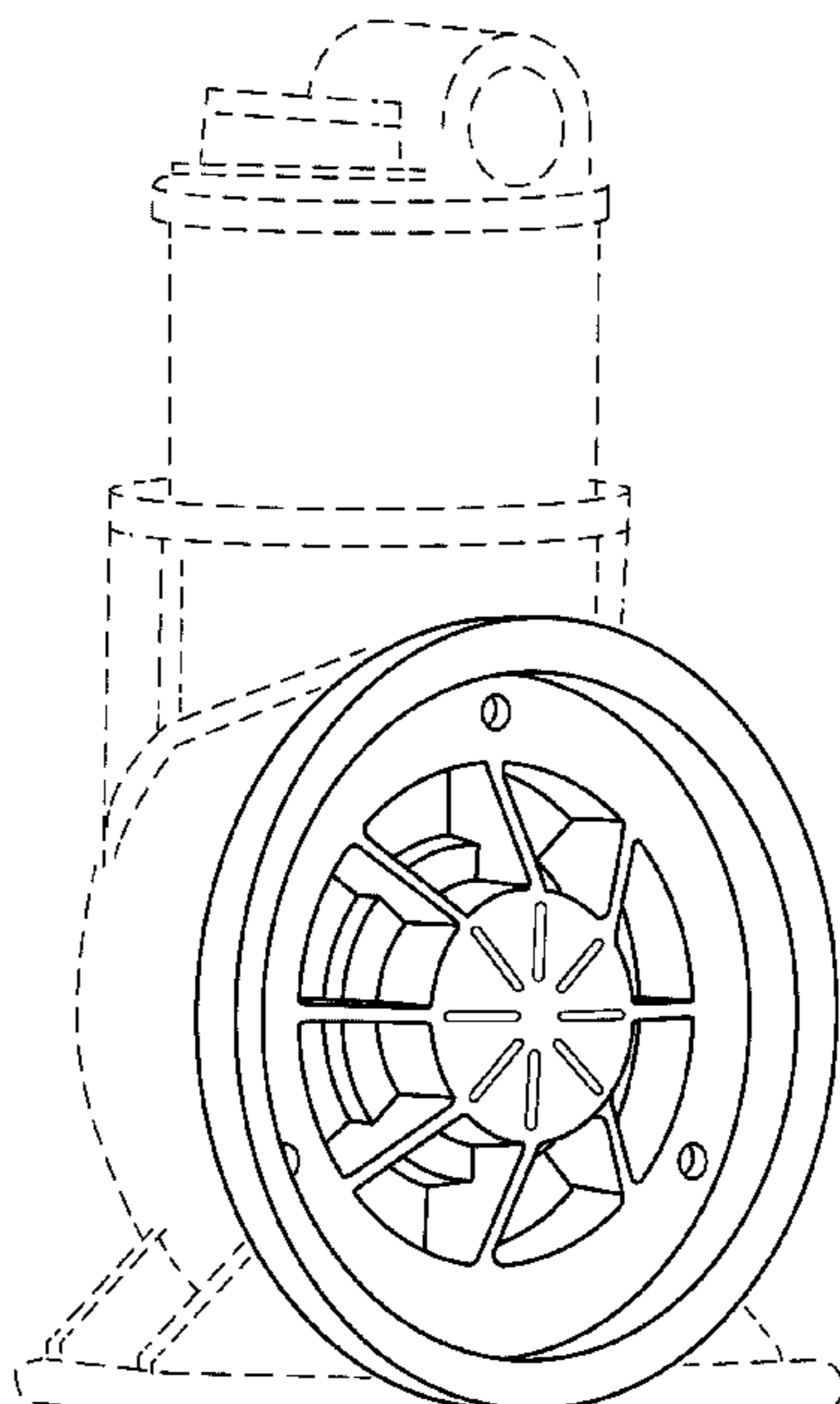
(57) **CLAIM**

The ornamental design for a compressor end cap, as shown and described.

DESCRIPTION

FIG. 1 is a front perspective view of our compressor end cap; FIG. 2 is a rear perspective view thereof; FIG. 3 is a front plan view thereof; FIG. 4 is a rear plan view thereof; and, FIG. 5 is an end view as may be seen from all angles.

1 Claim, 3 Drawing Sheets



US D648,747 S

Page 2

U.S. PATENT DOCUMENTS													
D602,501	S	*	10/2009	Ton	D15/7	D617,349	S	*	6/2010	Chu	D15/9
D603,873	S		11/2009	Chu			D625,338	S	*	10/2010	Nam et al.	D15/9
D603,874	S		11/2009	Chu			2006/0275160	A1		12/2006	Leu et al.		
D603,875	S		11/2009	Chu			2009/0104052	A1		4/2009	Leu et al.		
D611,504	S	*	3/2010	Ton	D15/7							

* cited by examiner

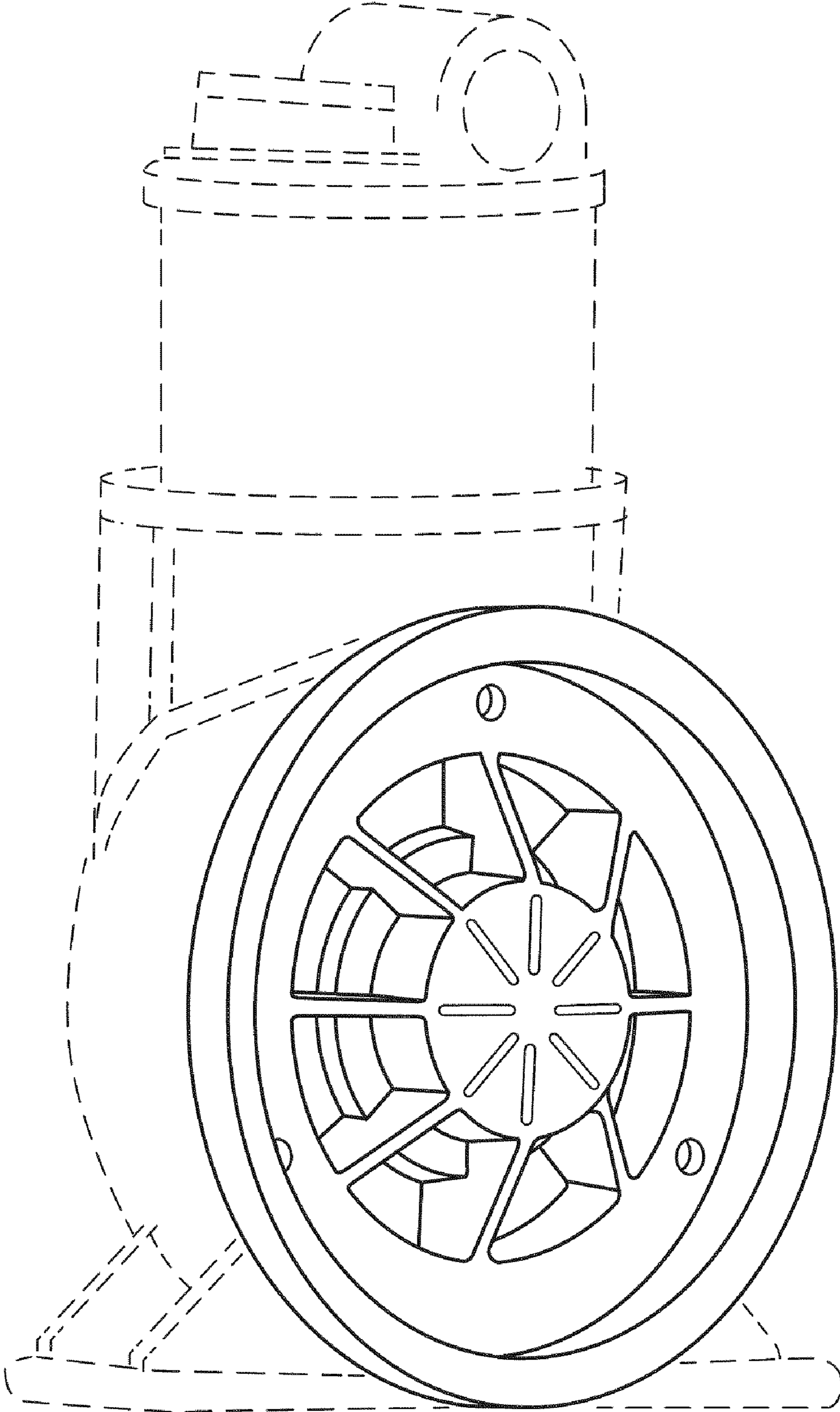


Fig. 1

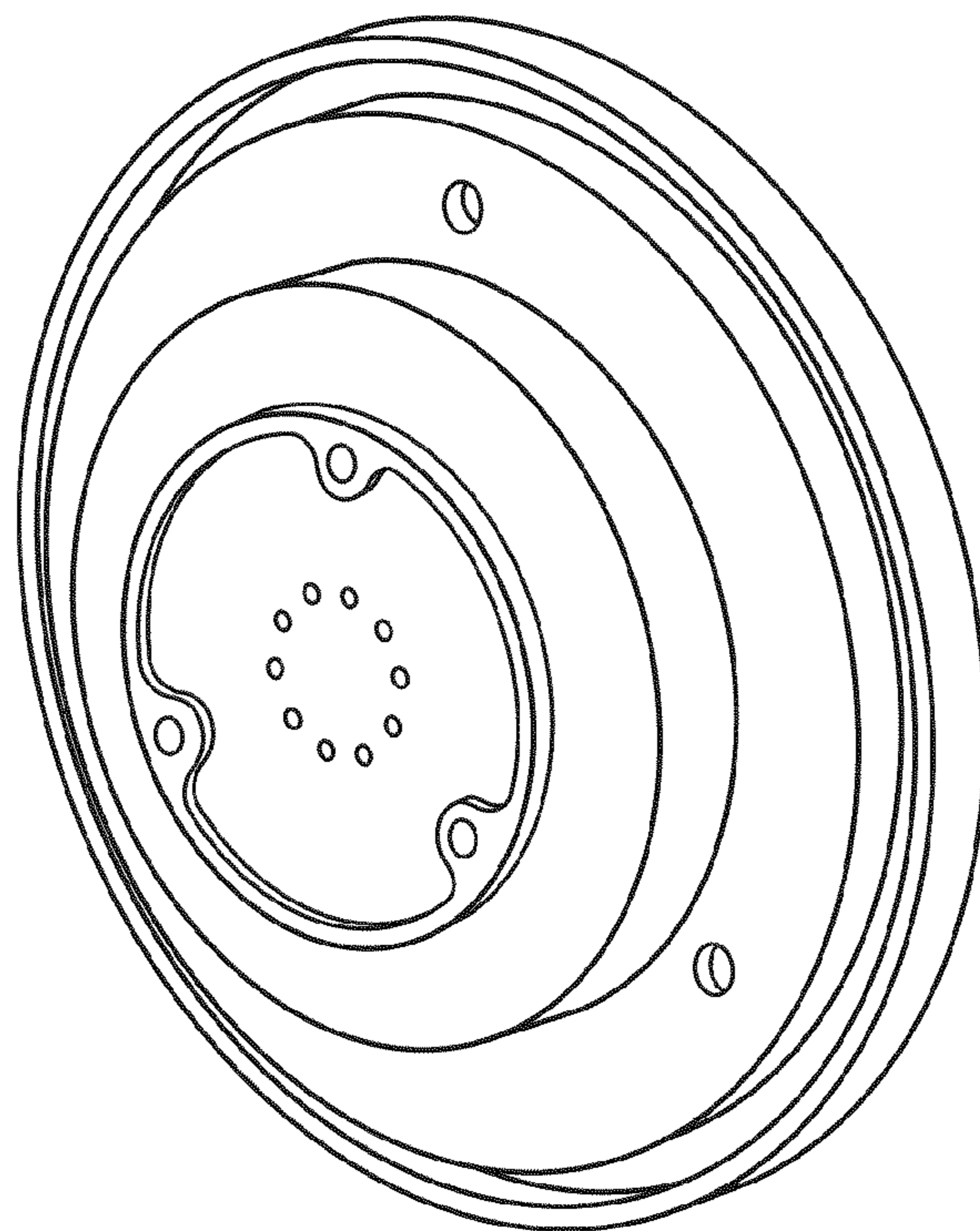


Fig. 2

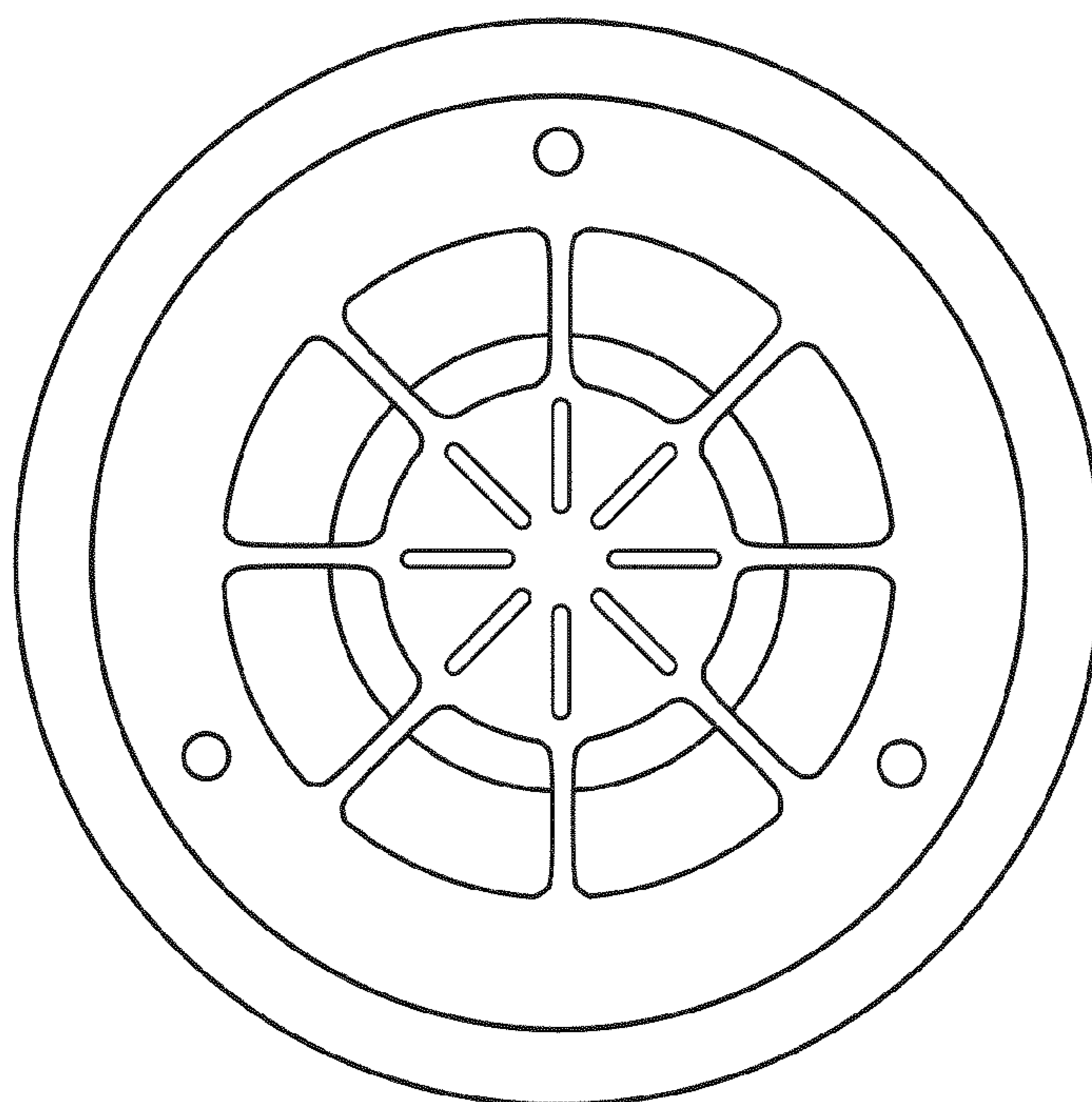


Fig. 3

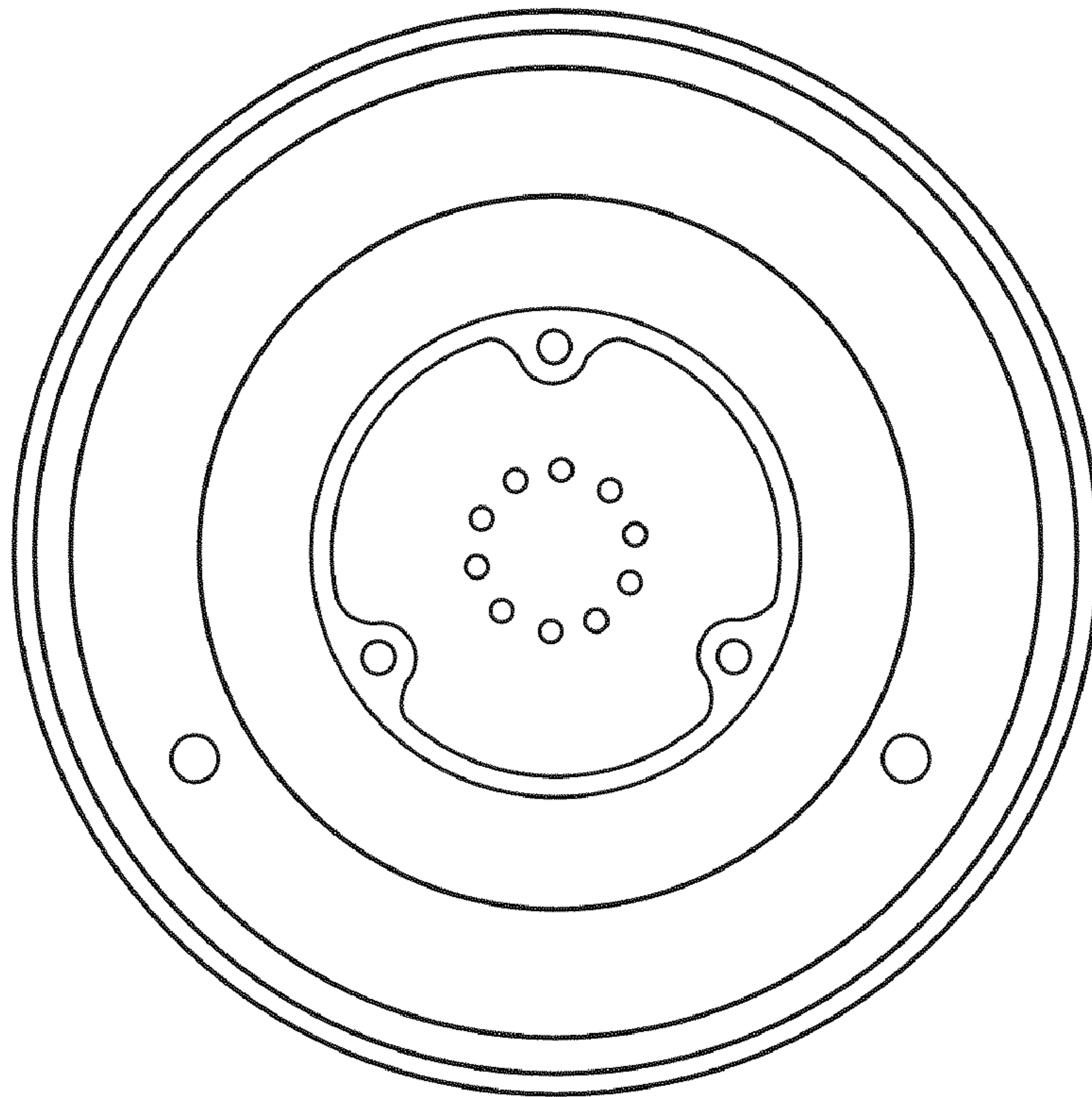


Fig. 4

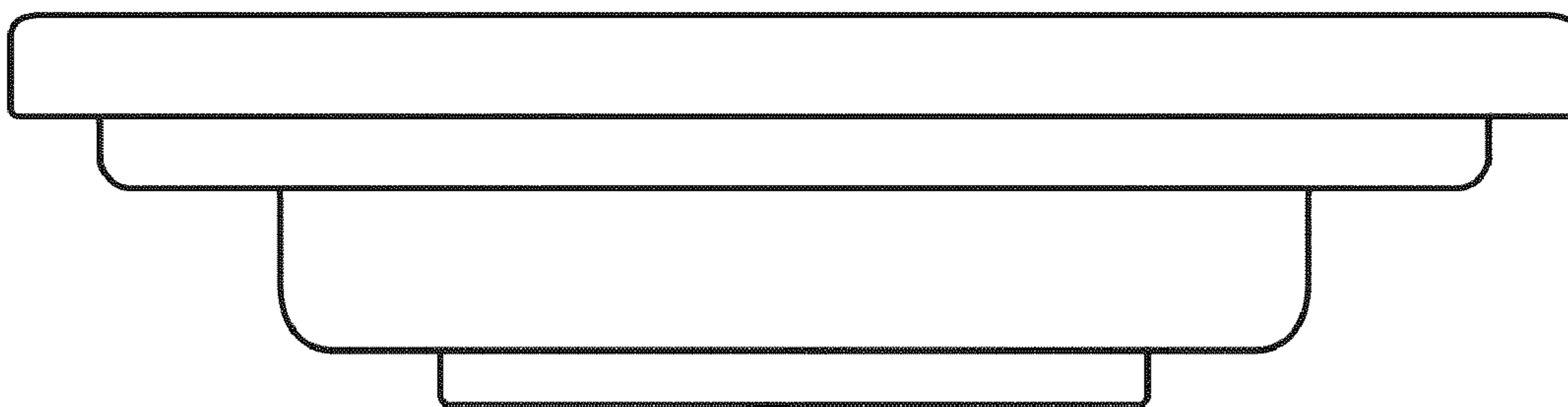


Fig. 5