



US00D648744S

(12) **United States Design Patent**
Yokoyama

(10) **Patent No.:** **US D648,744 S**

(45) **Date of Patent:** **** Nov. 15, 2011**

(54) **COMBINED MONITOR DISPLAY AND DISC PLAYER**

(75) Inventor: **Hiroaki Yokoyama**, Tokyo (JP)

(73) Assignee: **Sony Corporation**, Tokyo (JP)

(**) Term: **14 Years**

(21) Appl. No.: **29/371,180**

(22) Filed: **Nov. 15, 2010**

Related U.S. Application Data

(63) Continuation of application No. 29/347,357, filed on Dec. 14, 2009, now Pat. No. Des. 627,794.

(30) **Foreign Application Priority Data**

Jun. 19, 2009 (CN) 2009 3 0181714

(51) **LOC (9) Cl.** **14-01**

(52) **U.S. Cl.** **D14/511**; D14/168

(58) **Field of Classification Search** D14/496,
D14/498-505, 511, 157, 167-168, 188, 197-198,
D14/257-258; 360/99.02, 99.07; 369/75.11,
369/75.21, 77.11, 77.21; 720/601, 612, 619,
720/649, 655; 455/344, 347-351

See application file for complete search history.

(56) **References Cited**

U.S. PATENT DOCUMENTS

D427,987 S 7/2000 Tanaka et al.
D450,317 S 11/2001 Uehara
D475,690 S 6/2003 Nose et al.
D516,577 S 3/2006 Matsuoka

D518,038 S 3/2006 Aono et al.
D531,983 S 11/2006 Akita
D531,990 S 11/2006 Kobayashi
D538,776 S 3/2007 Suzuki
D561,716 S * 2/2008 Shimizu D14/501
D576,979 S 9/2008 Yagihashi
D579,447 S * 10/2008 Miyazato D14/258
D579,448 S * 10/2008 Miyazato D14/258
D585,437 S 1/2009 Yagihashi
D588,109 S * 3/2009 Miyazato D14/217
D605,660 S 12/2009 Yagihashi

FOREIGN PATENT DOCUMENTS

JP D1133829 S 2/2002
JP D1134044 S 2/2002
JP D1151950 S 9/2002
JP D1169322 S 3/2003

* cited by examiner

Primary Examiner — Nanda Bondade

(74) *Attorney, Agent, or Firm* — Rader, Fishman & Grauer PLLC

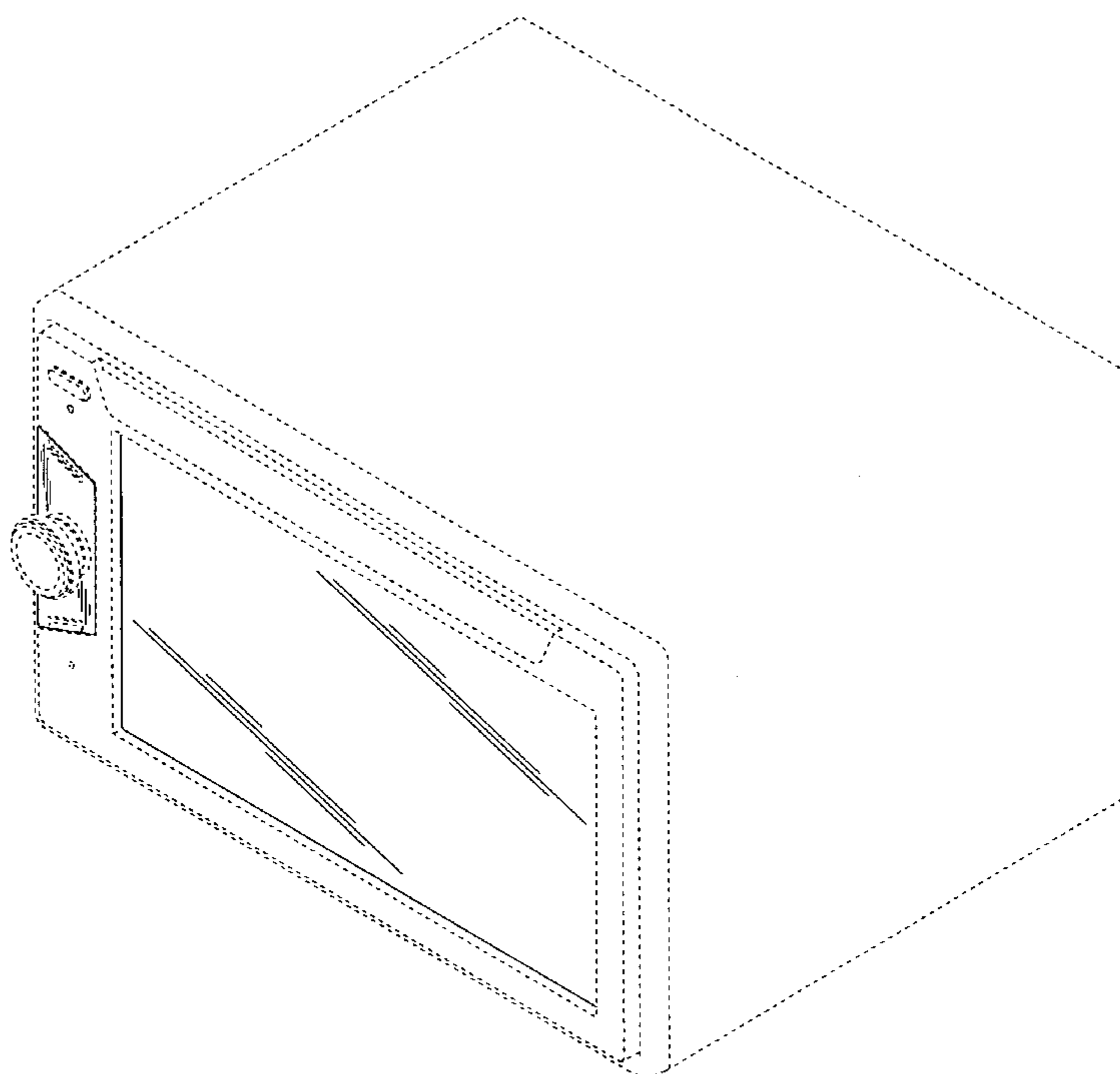
(57) **CLAIM**

The ornamental design for a combined monitor display and disc player, as shown and described.

DESCRIPTION

FIG. 1 is a perspective view of a combined monitor display and disc player showing my new design; FIG. 2 is a front elevational view thereof; and, FIG. 3 is a left side elevational view thereof. The broken line showing on the drawing disclosure is for illustrative purposes only and forms no part of the claimed design.

1 Claim, 3 Drawing Sheets



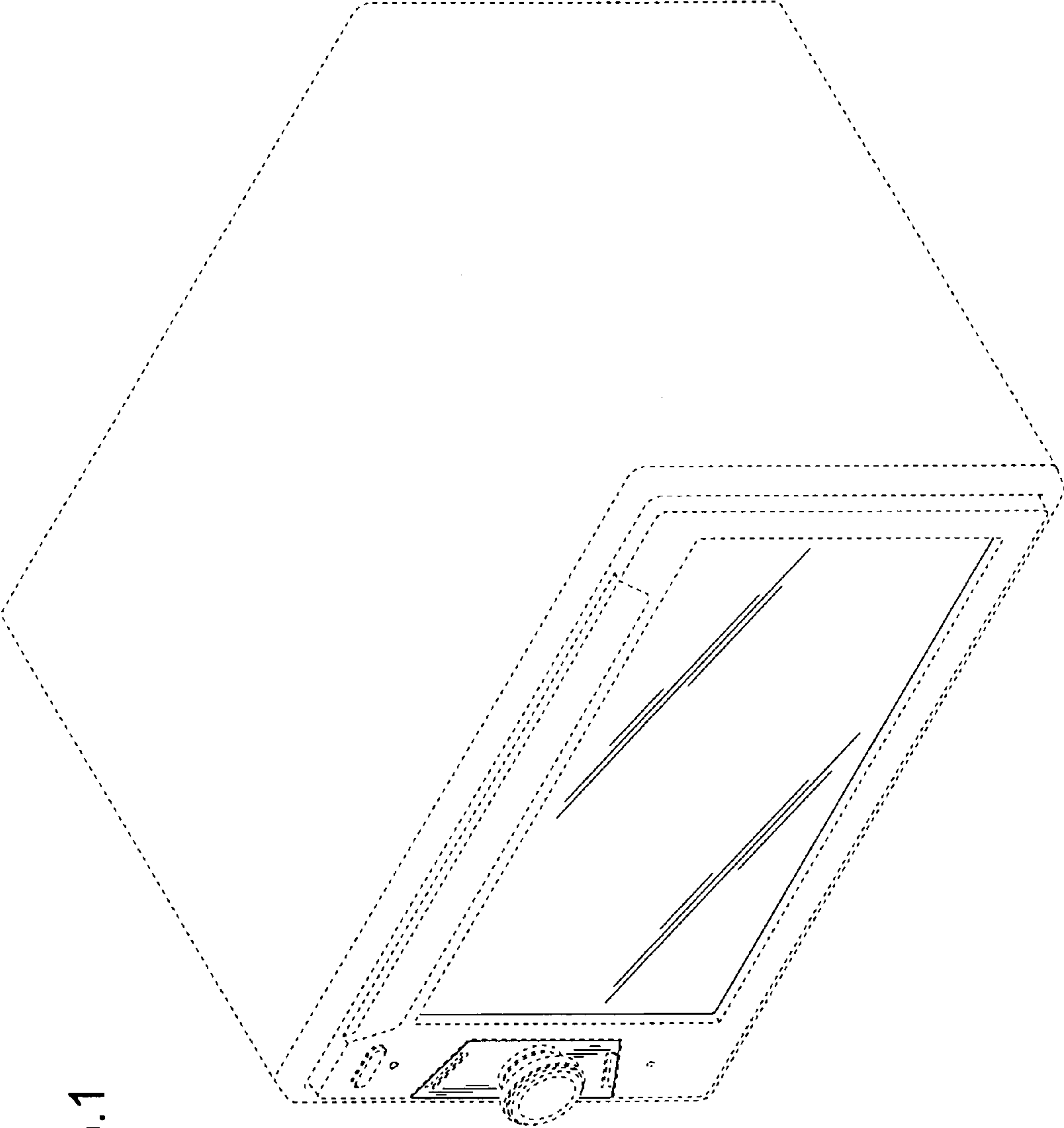


FIG.1

FIG.2

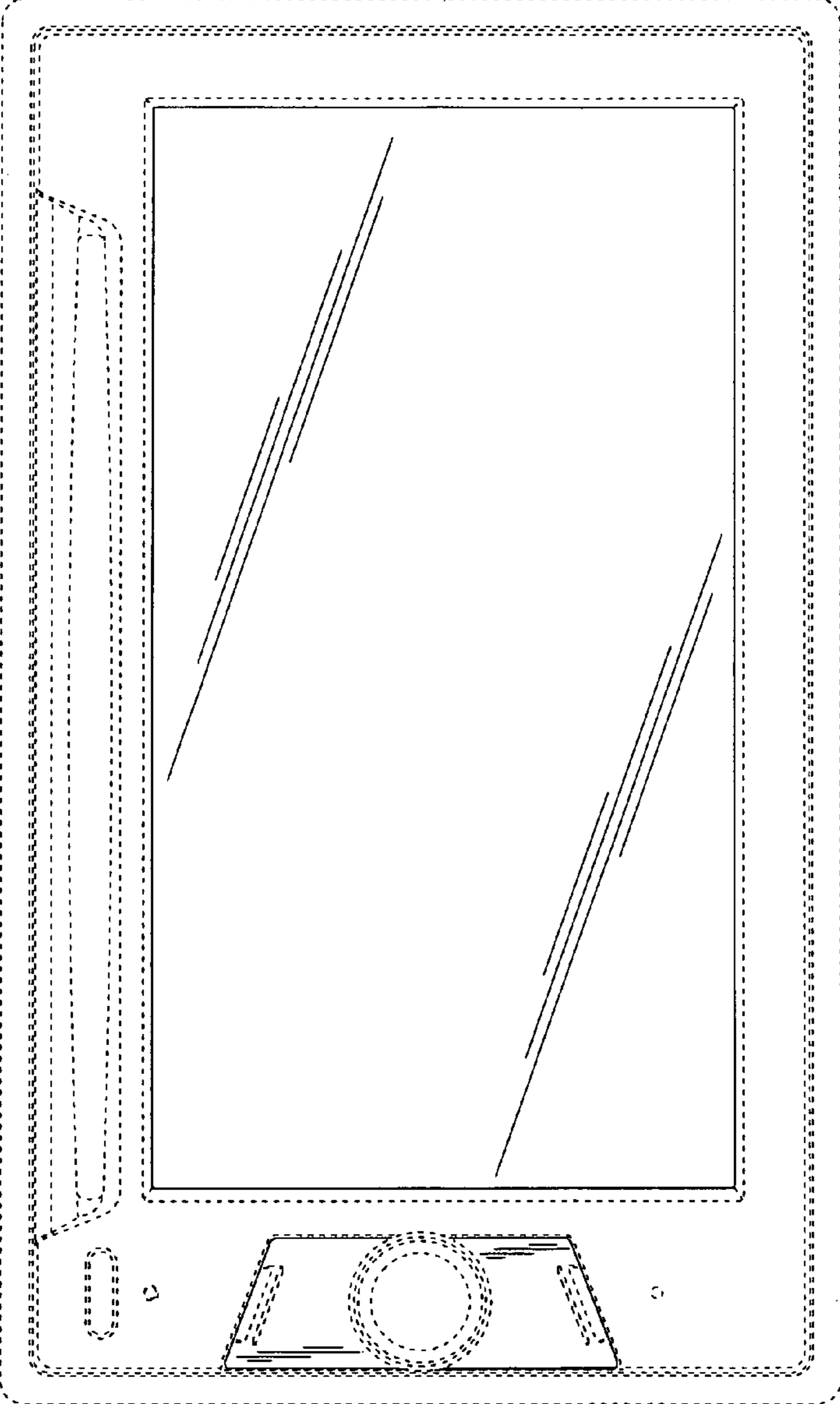


FIG.3

