



US00D648730S

(12) **United States Design Patent**  
**Huang**

(10) **Patent No.:** **US D648,730 S**

(45) **Date of Patent:** **\*\* Nov. 15, 2011**

(54) **USB DONGLE**

(75) **Inventor:** **Chih-Hua Huang, Shulin (TW)**

(73) **Assignee:** **Askey Computer Corp. (TW)**

(\*\*) **Term:** **14 Years**

(21) **Appl. No.:** **29/380,135**

(22) **Filed:** **Dec. 1, 2010**

(30) **Foreign Application Priority Data**

Oct. 29, 2010 (TW) ..... 99305551

(51) **LOC (9) Cl.** ..... **14-02**

(52) **U.S. Cl.** ..... **D14/480.5**

(58) **Field of Classification Search** ..... D14/411,  
D14/433, 435.1, 436, 480.1–480.7, 484.1,  
D14/137, 155, 203.1–203.8, 240; D3/201,  
D3/273; D13/107, 108, 133, 154, 184; 710/300,  
710/301; 439/131, 135–147  
See application file for complete search history.

(56) **References Cited**

**U.S. PATENT DOCUMENTS**

D480,389 S *	10/2003	Schulz et al.	.....	D14/240
D486,829 S *	2/2004	Wang et al.	.....	D14/480.5
D506,471 S *	6/2005	Iikura et al.	.....	D14/480.5
D521,509 S *	5/2006	Chen	.....	D14/480.5
D522,518 S *	6/2006	Loftus	.....	D14/480.1
D537,820 S *	3/2007	Hsu	.....	D14/480.1
D542,788 S *	5/2007	Gutmann et al.	.....	D14/480.5
D546,326 S *	7/2007	Chen	.....	D14/480.5
D554,119 S *	10/2007	Otsuka et al.	.....	D14/480.5
D556,752 S *	12/2007	Otsuka	.....	D14/480.5
D572,248 S *	7/2008	Jen	.....	D14/480.5

D607,462 S *	1/2010	Chen	.....	D14/480.5
D624,923 S *	10/2010	Lu	.....	D14/480.5
D629,408 S *	12/2010	Otsuka	.....	D14/480.5
D633,496 S *	3/2011	Busri et al.	.....	D14/358
D636,383 S *	4/2011	Hao	.....	D14/242
2010/0221936 A1 *	9/2010	Zhao et al.	.....	439/135

**OTHER PUBLICATIONS**

A-Data Technology, p. 1 [online], [retrieved on May 25, 2010]. Retrieved from the Internet <URL: [http://www.adata.com.tw/en/product\\_show.php?ProductNo=AC81ZZZWH](http://www.adata.com.tw/en/product_show.php?ProductNo=AC81ZZZWH)>.\*  
A-Data Flash Drive, Web Archive [online] archived Dec. 1, 2005 [retrieved on Dec. 13, 2006]. Retrieved from the Internet <URL: [http://web.archive.org/web/20051201015403/http://www.frontier-electronics.co.za/images/sdp\\_adata\\_flash\\_drive.jpg](http://web.archive.org/web/20051201015403/http://www.frontier-electronics.co.za/images/sdp_adata_flash_drive.jpg)>.\*

\* cited by examiner

*Primary Examiner* — Cathron Brooks

*Assistant Examiner* — Karen E Kearney

(74) *Attorney, Agent, or Firm* — Schmeiser, Olsen & Watts, LLP

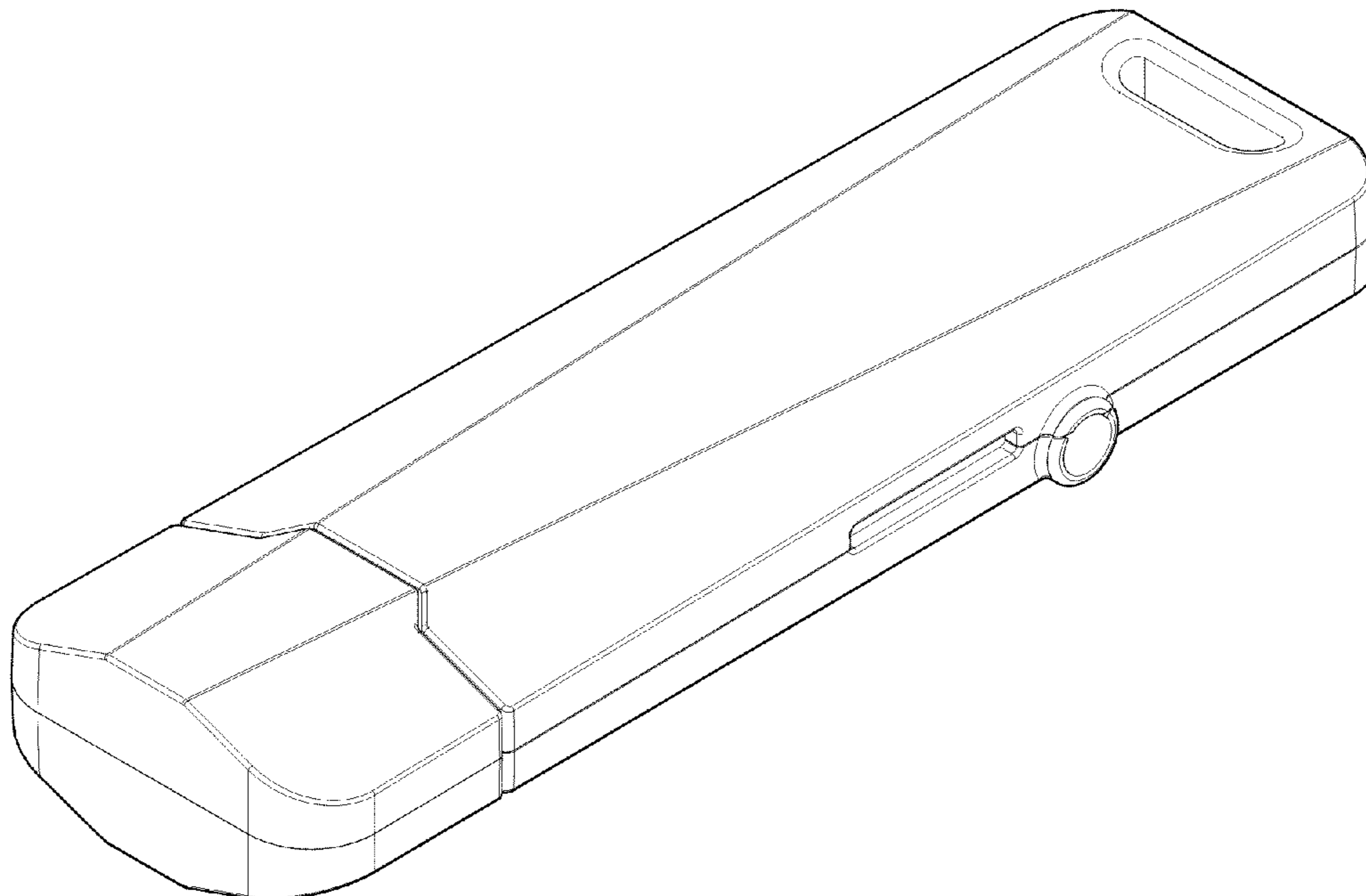
(57) **CLAIM**

The ornamental design for a USB dongle, as shown and described.

**DESCRIPTION**

FIG. 1 is a perspective view of a USB dongle showing my new design;  
FIG. 2 is a front elevation view thereof;  
FIG. 3 is a rear elevation view thereof;  
FIG. 4 is a left side elevation view thereof;  
FIG. 5 is a right side elevation view thereof;  
FIG. 6 is a top plan view thereof; and,  
FIG. 7 is a bottom plan view thereof.

**1 Claim, 6 Drawing Sheets**



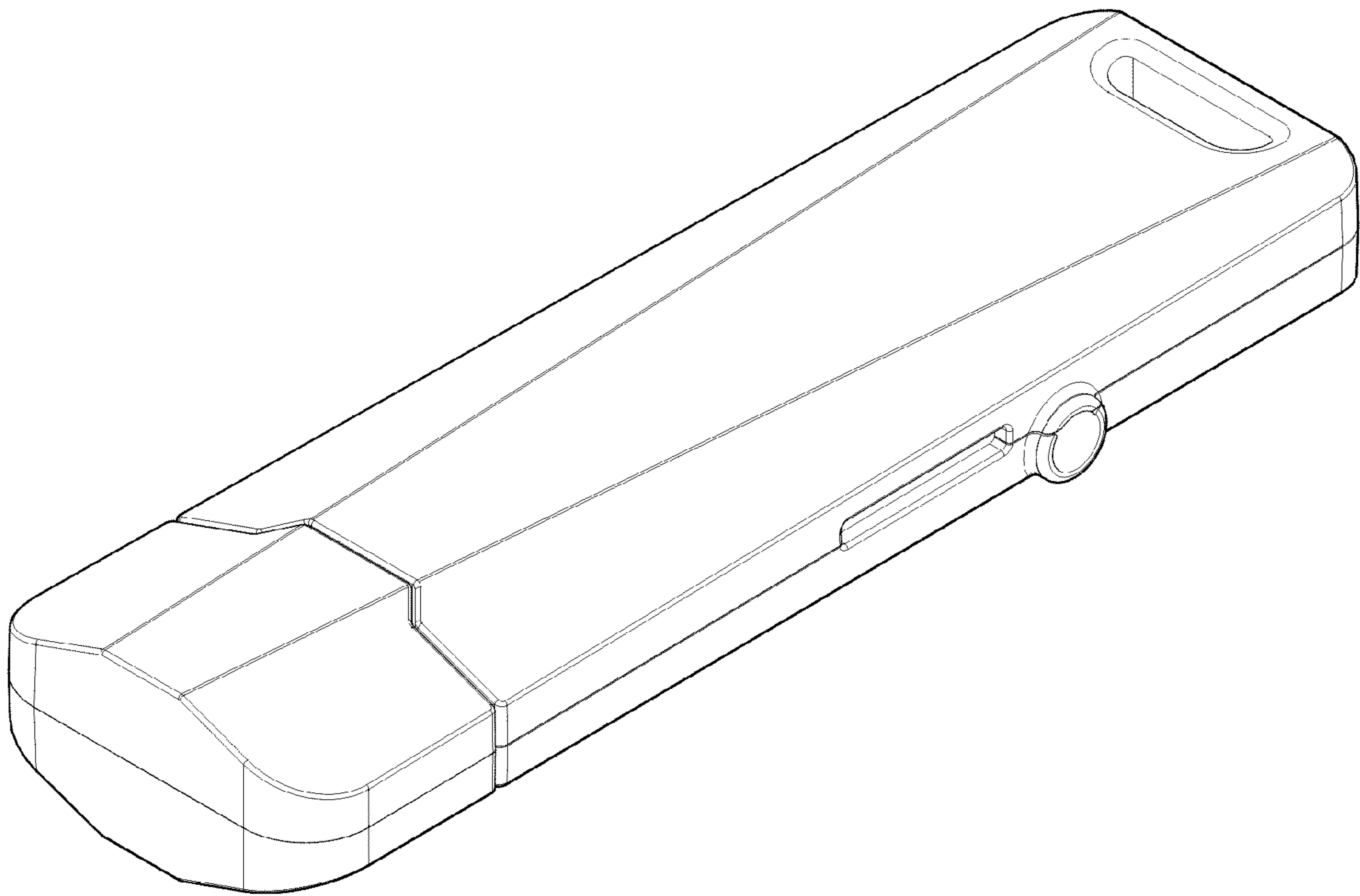


Fig. 1

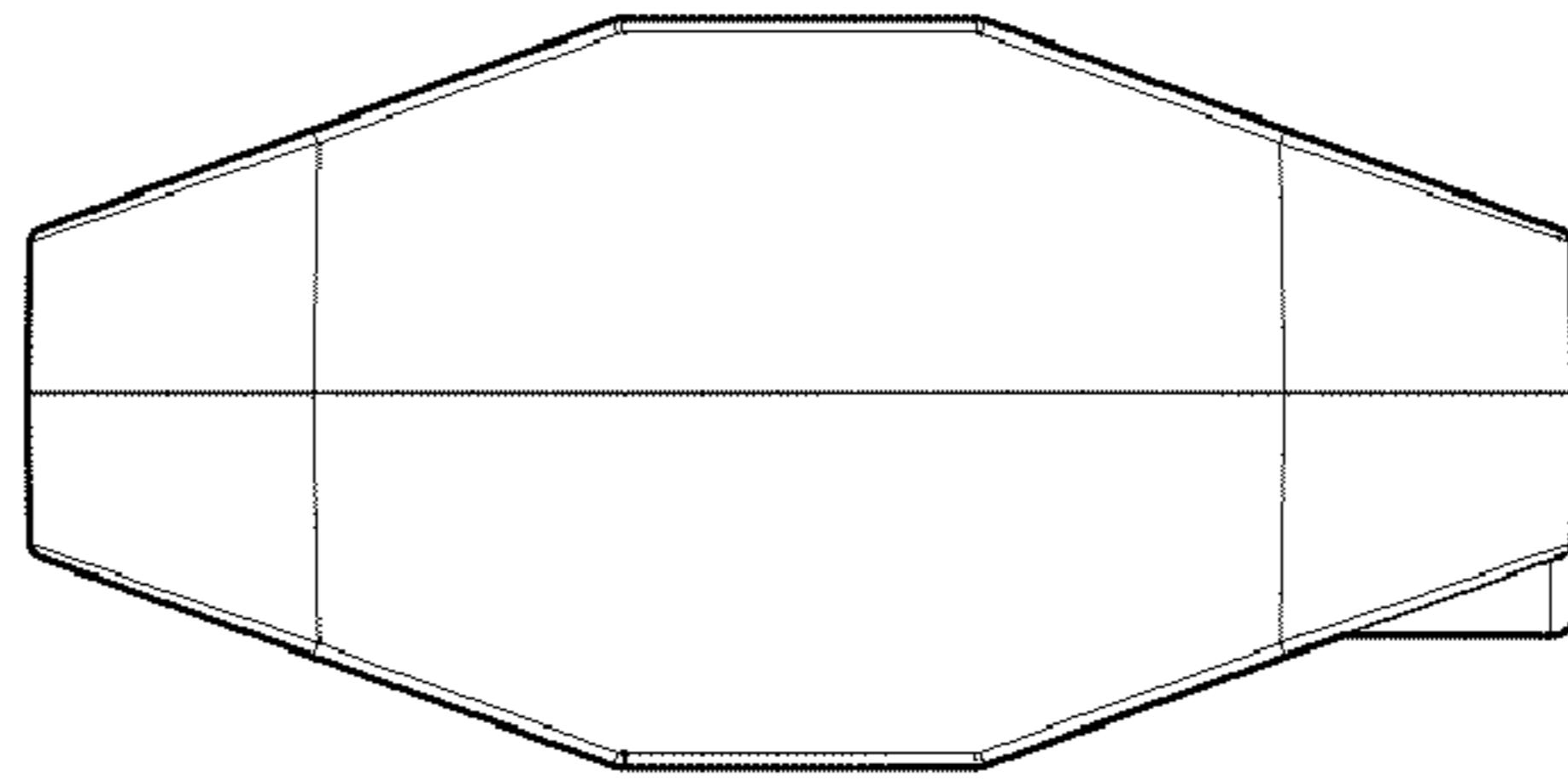


Fig. 2

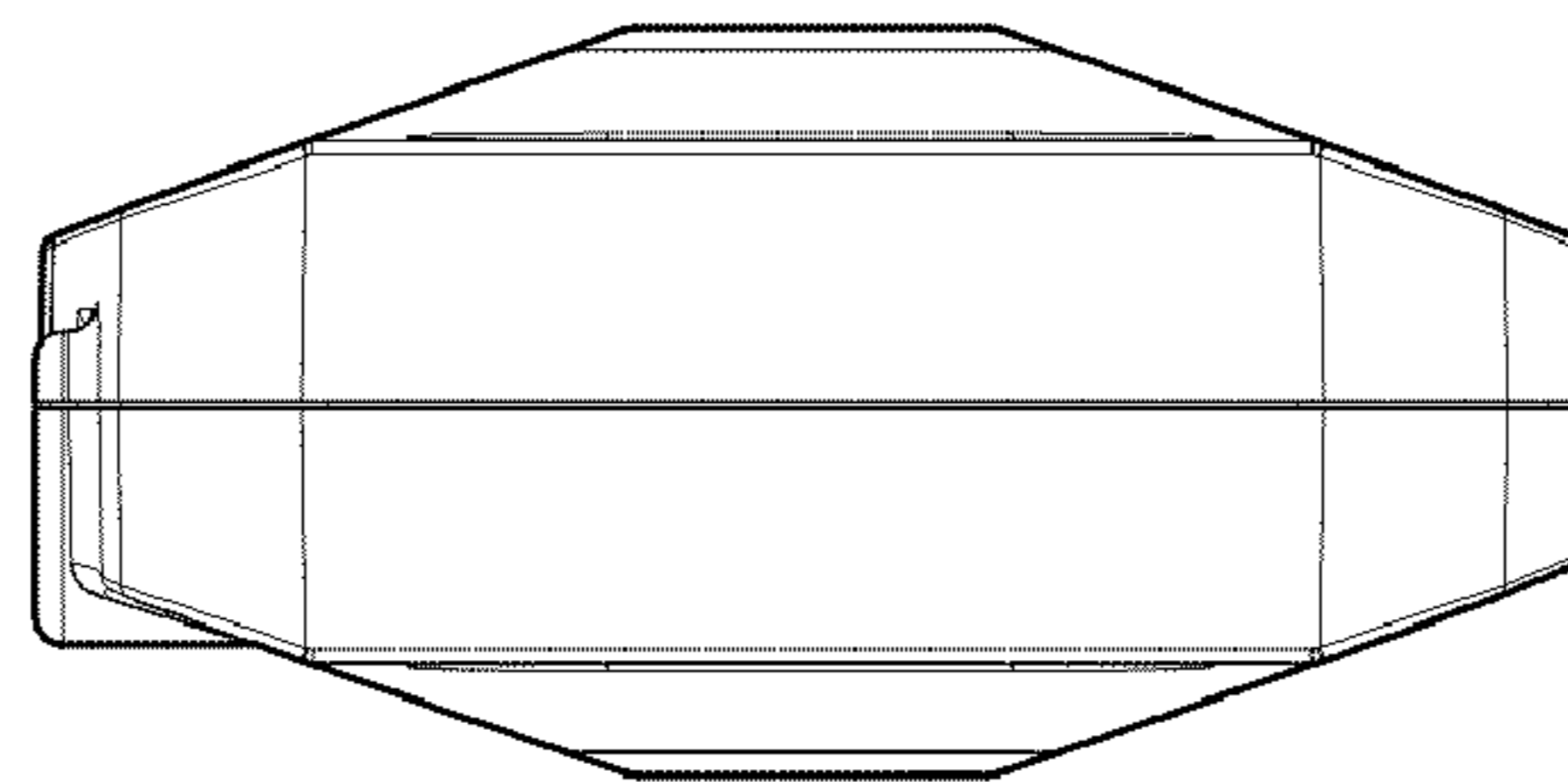


Fig. 3

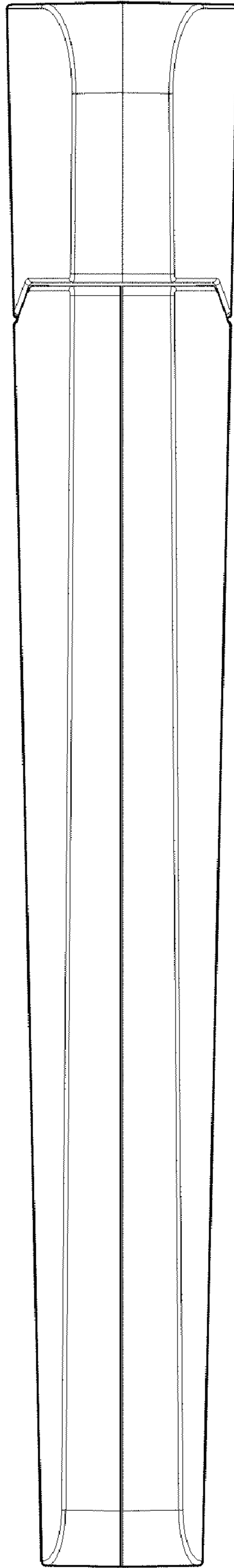


Fig. 4

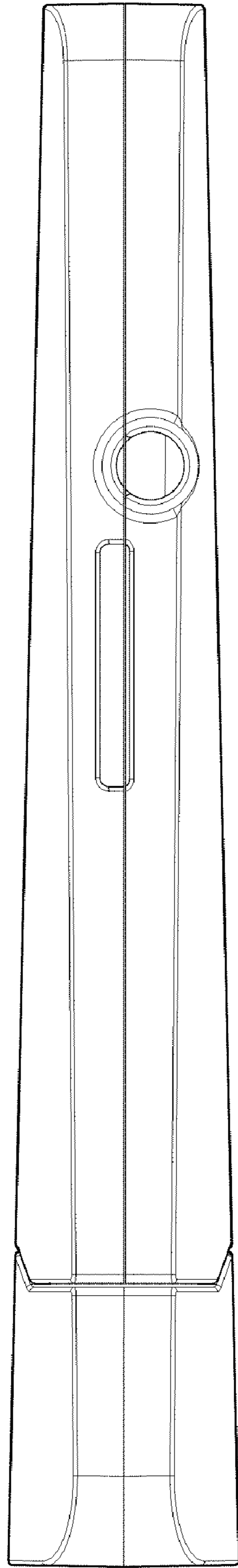


Fig. 5

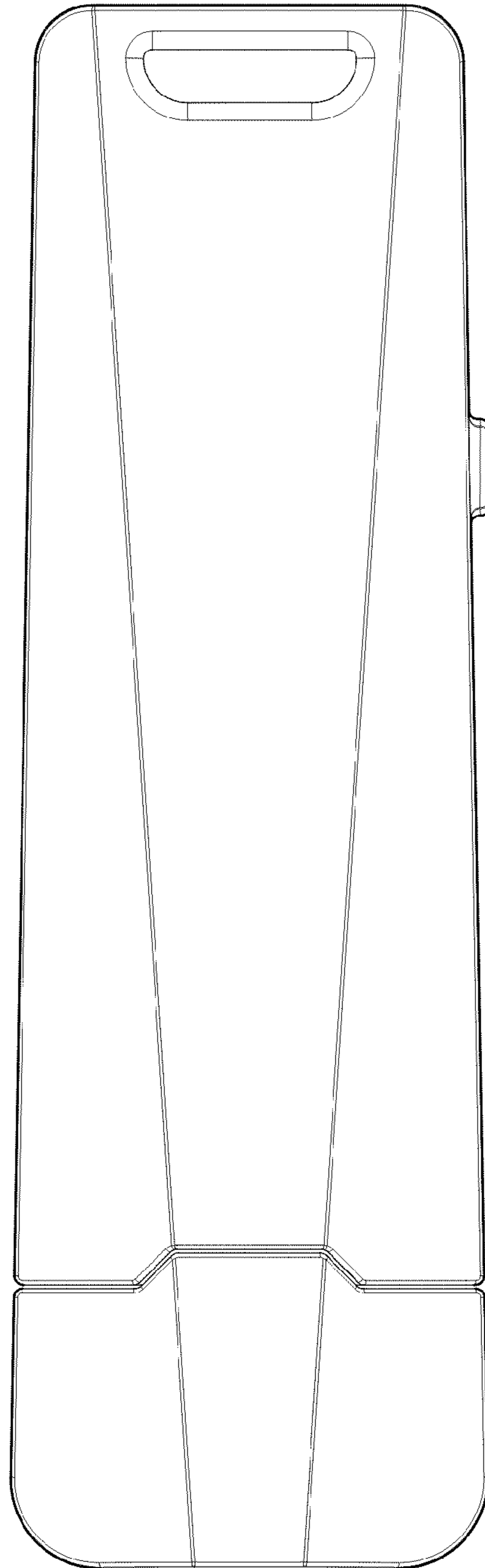


Fig. 6

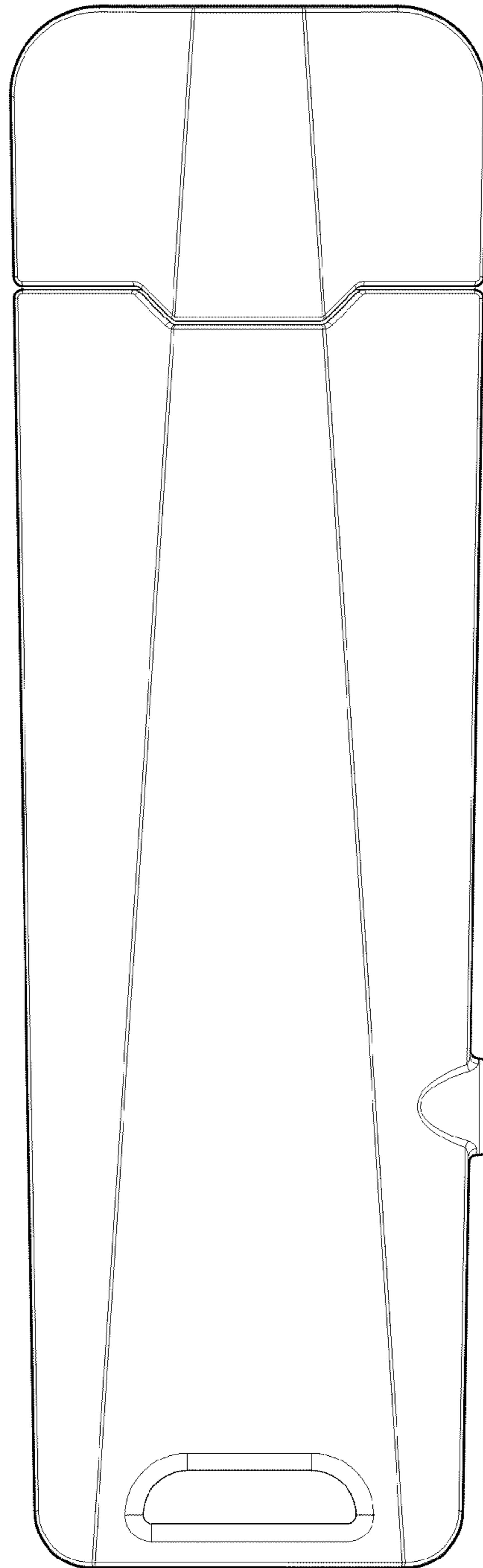


Fig. 7