



US00D648728S

(12) **United States Design Patent**
Atkins et al.

(10) **Patent No.:** **US D648,728 S**

(45) **Date of Patent:** **** Nov. 15, 2011**

(54) **COMPUTER EASEL**

(76) Inventors: **Charles F. Atkins**, Yoncalla, OR (US);
Joy C. Atkins, Yoncalla, OR (US)

(**) Term: **14 Years**

(21) Appl. No.: **29/394,349**

(22) Filed: **Jun. 16, 2011**

(51) **LOC (9) Cl.** **14-02**

(52) **U.S. Cl.** **D14/447**

(58) **Field of Classification Search** D14/447,
D14/448, 451, 452, 432, 434, 439, 440, 457,
D14/460, 461, 239, 250, 251, 253, 217, 238.1;
D3/218; D6/310, 312, 311, 406.3, 406.4,
D6/406.5, 406.6, 419; 248/917-924, 688,
248/441.1, 451, 454, 460, 463, 136, 149,
248/150, 164, 166, 176.2, 176.3, 176.1, 346.03,
248/346.3; 361/679.02, 679.09, 679.21,
361/679.22, 379.26, 679.27, 679.28, 679.29,
361/679.3, 679.46, 679.47, 679.48, 679.55,
361/679.56, 679.57, 679.58, 679.59, 679.6;
150/165; 224/929, 930

See application file for complete search history.

(56) **References Cited**

U.S. PATENT DOCUMENTS

D308,773 S * 6/1990 Morrow et al. D6/406.4
5,528,796 A * 6/1996 Perry et al. 16/355
D462,358 S 9/2002 Mah
D480,088 S 9/2003 Bakker et al.
D482,038 S 11/2003 Gustafsson
6,707,668 B2 3/2004 Huang
D494,977 S 8/2004 Persson
D534,730 S * 1/2007 Hardy D6/312
D554,647 S 11/2007 Chan
D555,162 S 11/2007 Park et al.

D557,267 S 12/2007 Beilstein et al.
D563,960 S * 3/2008 Beilstein et al. D14/447
D569,380 S 5/2008 Beilstein et al.
D573,598 S 7/2008 Chu
D575,546 S 8/2008 Tsay et al.
D578,540 S 10/2008 Bouwknecht et al.
7,453,694 B2 * 11/2008 Lee 361/679.48
7,663,876 B2 * 2/2010 Lin 361/679.47
7,828,260 B2 * 11/2010 Hauser et al. 248/456
D639,814 S * 6/2011 Farris-Gilbert et al. D14/447
D639,816 S * 6/2011 Bau D14/447
2005/0274852 A1 12/2005 Saez et al.
2008/0251680 A1 10/2008 Matias
2009/0159763 A1 * 6/2009 Kim 248/174
2010/0133397 A1 6/2010 Hu
2010/0276560 A1 * 11/2010 Farris-Gilbert et al. ... 248/346.3

* cited by examiner

Primary Examiner — Angela J Lee

(74) *Attorney, Agent, or Firm* — QuickPatents, Inc.; Kevin Prince

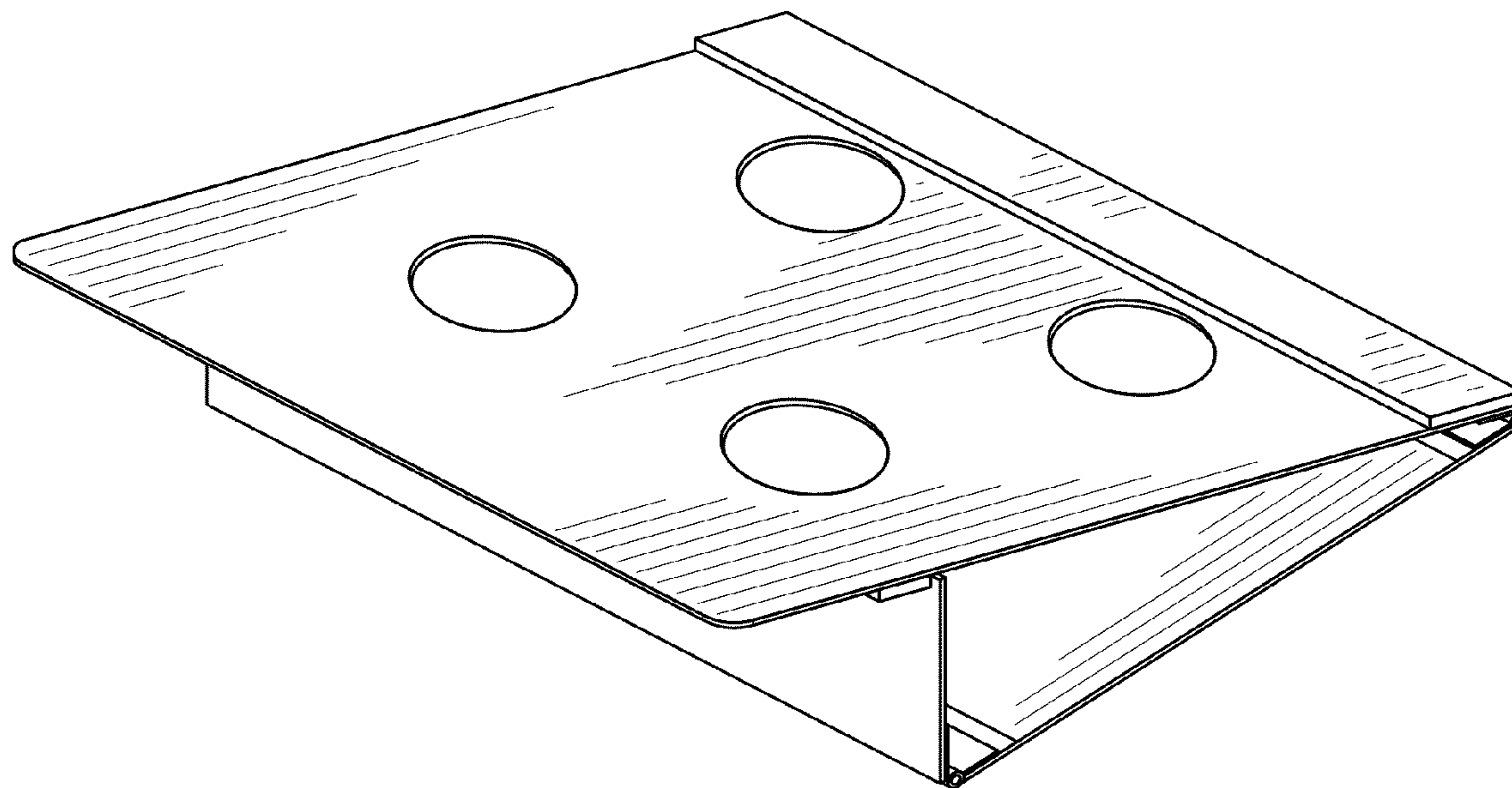
(57) **CLAIM**

We claim the ornamental design for a computer easel, as shown and described.

DESCRIPTION

FIG. 1 is a perspective view of a computer easel, showing my new design in a flat configuration;
FIG. 2 is a front elevational view of FIG. 1;
FIG. 3 is a rear elevational view of FIG. 1;
FIG. 4 is a left-side elevational view of FIG. 1;
FIG. 5 is a right-side elevational view of FIG. 1;
FIG. 6 is a top plan view of FIG. 1;
FIG. 7 is a bottom plan view of FIG. 1; and,
FIG. 8 is a perspective view thereof, illustrated in a folded configuration.

1 Claim, 5 Drawing Sheets



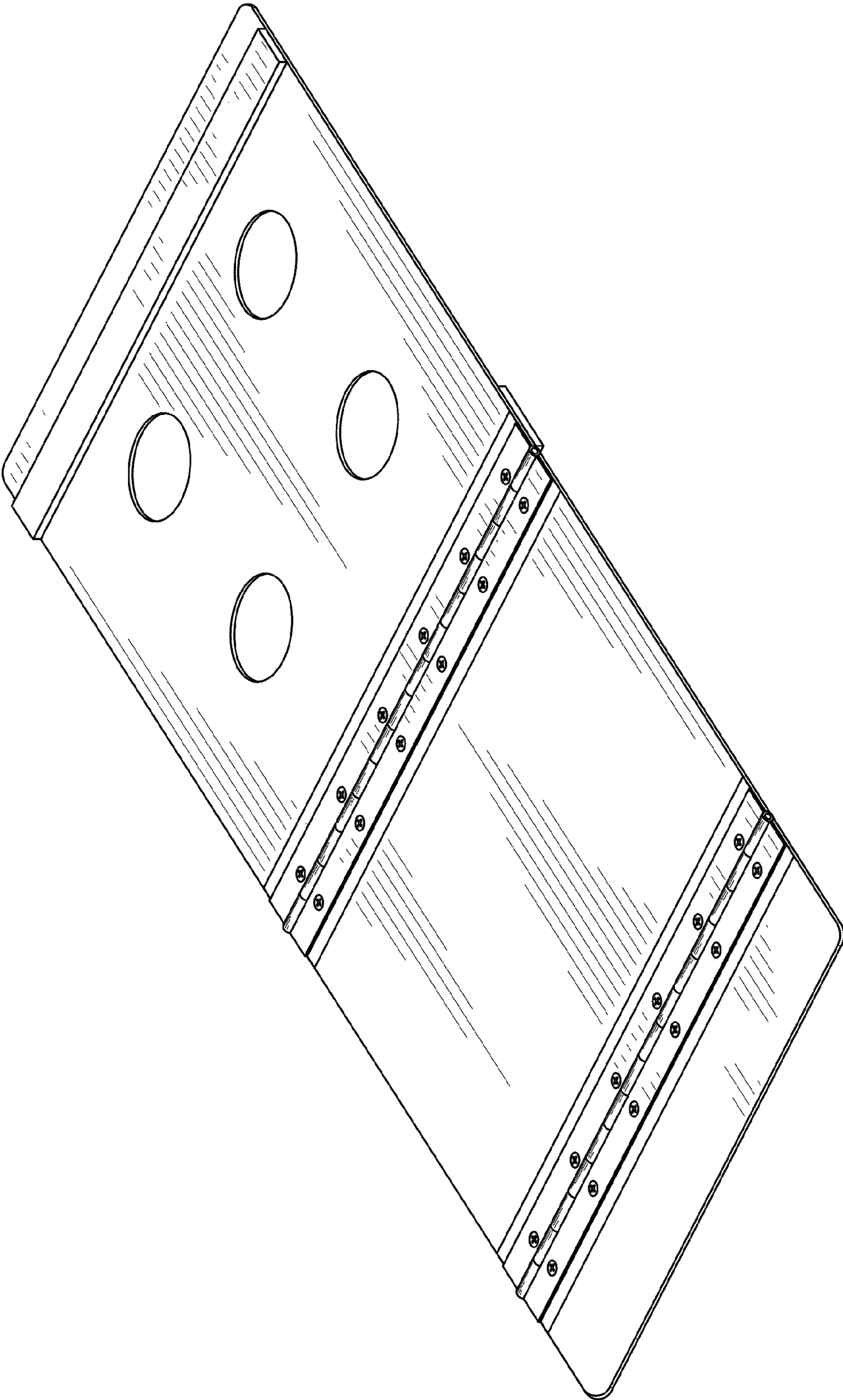


FIG. 1



FIG. 2



FIG. 3



FIG. 4

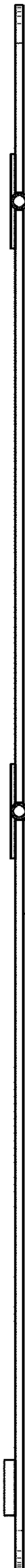


FIG. 5

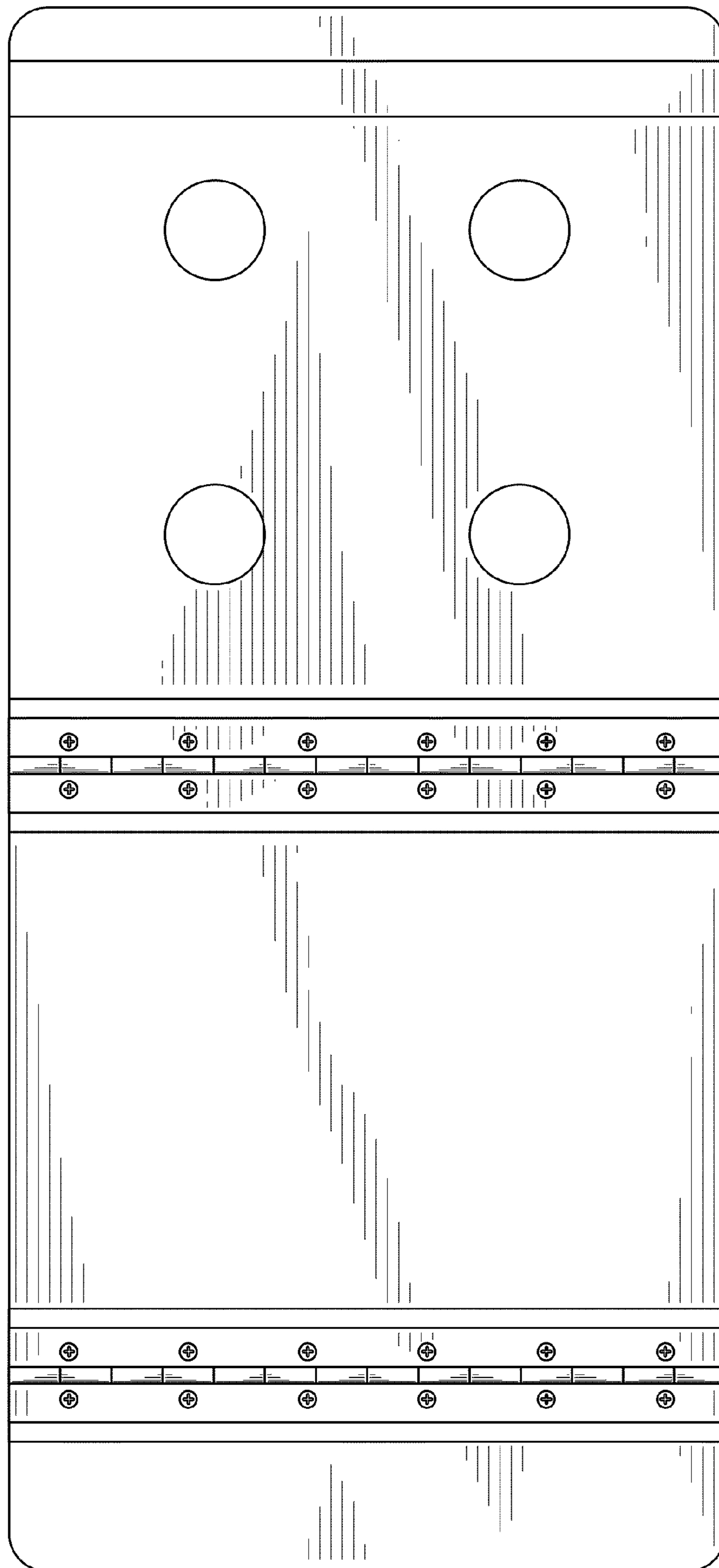


FIG. 6

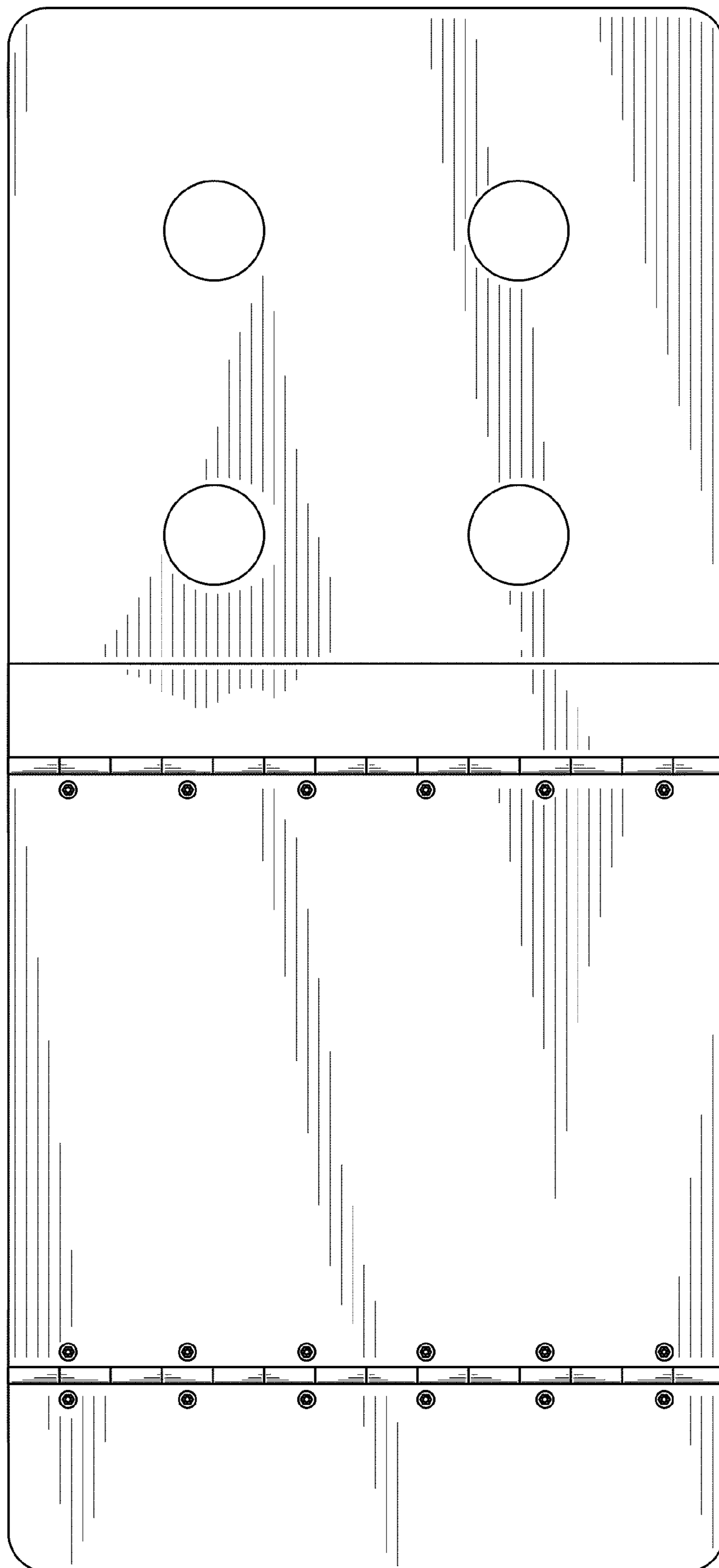


FIG. 7

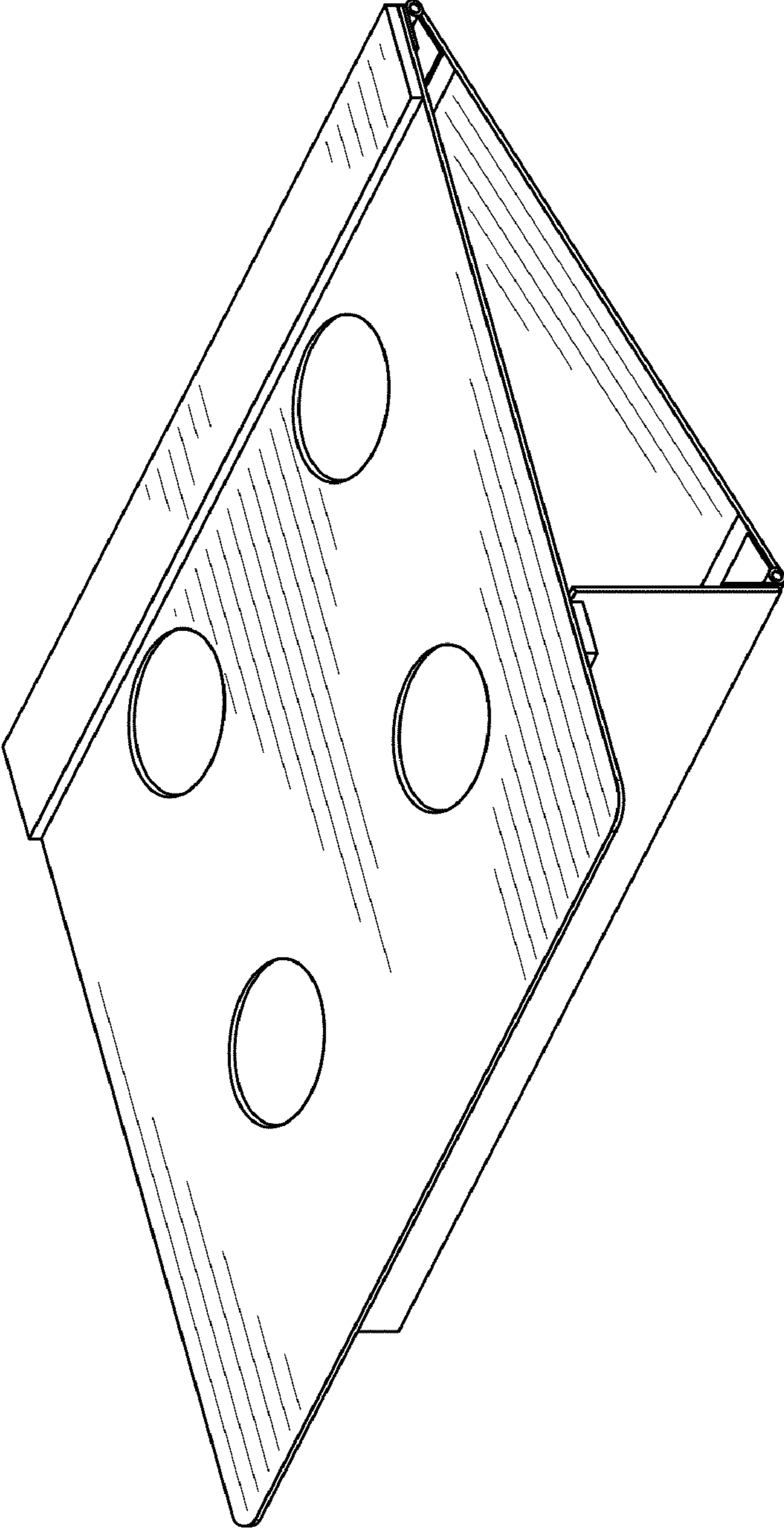


FIG. 8