



US00D648725S

(12) **United States Design Patent**  
**Akana et al.**

(10) **Patent No.:** **US D648,725 S**  
(45) **Date of Patent:** **\*\* Nov. 15, 2011**

(54) **DOCKING STATION**

(56) **References Cited**

(75) Inventors: **Jody Akana**, San Francisco, CA (US);  
**Bartley K. Andre**, Menlo Park, CA  
(US); **Jeremy Bataillou**, San Francisco,  
CA (US); **Daniel J. Coster**, San  
Francisco, CA (US); **Daniele De Iuliis**,  
San Francisco, CA (US); **Evans**  
**Hankey**, San Francisco, CA (US);  
**Richard P. Howarth**, San Francisco, CA  
(US); **Jonathan P. Ive**, San Francisco,  
CA (US); **Duncan Robert Kerr**, San  
Francisco, CA (US); **Shin Nishibori**,  
Portola Valley, CA (US); **Matthew Dean**  
**Rohrbach**, San Francisco, CA (US);  
**Peter Russell-Clarke**, San Francisco,  
CA (US); **Christopher J. Stringer**,  
Woodside, CA (US); **Eugene Antony**  
**Whang**, San Francisco, CA (US); **Rico**  
**Zorkendorfer**, San Francisco, CA (US)

U.S. PATENT DOCUMENTS  
5,085,394 A \* 2/1992 Torii ..... 248/455  
5,128,662 A \* 7/1992 Failla ..... 345/1.3  
D335,861 S 5/1993 Tattari  
5,633,782 A \* 5/1997 Goodman et al. .... 361/679.41  
D408,026 S 4/1999 Hung et al.  
6,031,924 A 2/2000 Etzel  
D429,242 S 8/2000 Sun  
D454,353 S 3/2002 Hicks et al.

(Continued)

FOREIGN PATENT DOCUMENTS  
KR 300348033001 6/2004

OTHER PUBLICATIONS

Images of Sony X505 Keyboard, available at least as early as May 8,  
2005. 4 pages.

(Continued)

*Primary Examiner* — Freda S Nunn  
(74) *Attorney, Agent, or Firm* — Sterne, Kessler, Goldstein  
& Fox PLLC

(73) Assignee: **Apple Inc.**, Cupertino, CA (US)

(57) **CLAIM**  
The ornamental design for a docking station, as shown and  
described.

(\*\*) Term: **14 Years**

**DESCRIPTION**

(21) Appl. No.: **29/353,323**

FIG. 1 is a top front perspective view of a docking station  
showing our new design;  
FIG. 2 is a bottom front perspective view thereof;  
FIG. 3 is a top rear perspective view thereof;  
FIG. 4 is a bottom rear perspective view thereof  
FIG. 5 is a top plan view thereof;  
FIG. 6 is a bottom plan view thereof;  
FIG. 7 is a front view thereof;  
FIG. 8 is a rear view thereof;  
FIG. 9 is a side view thereof; and,  
FIG. 10 is another side view thereof.  
The shade lines in the Figures show contour and not surface  
ornamentation.  
The broken lines in the figures show portions of the docking  
station which form no part of the claimed design.

(22) Filed: **Jan. 6, 2010**

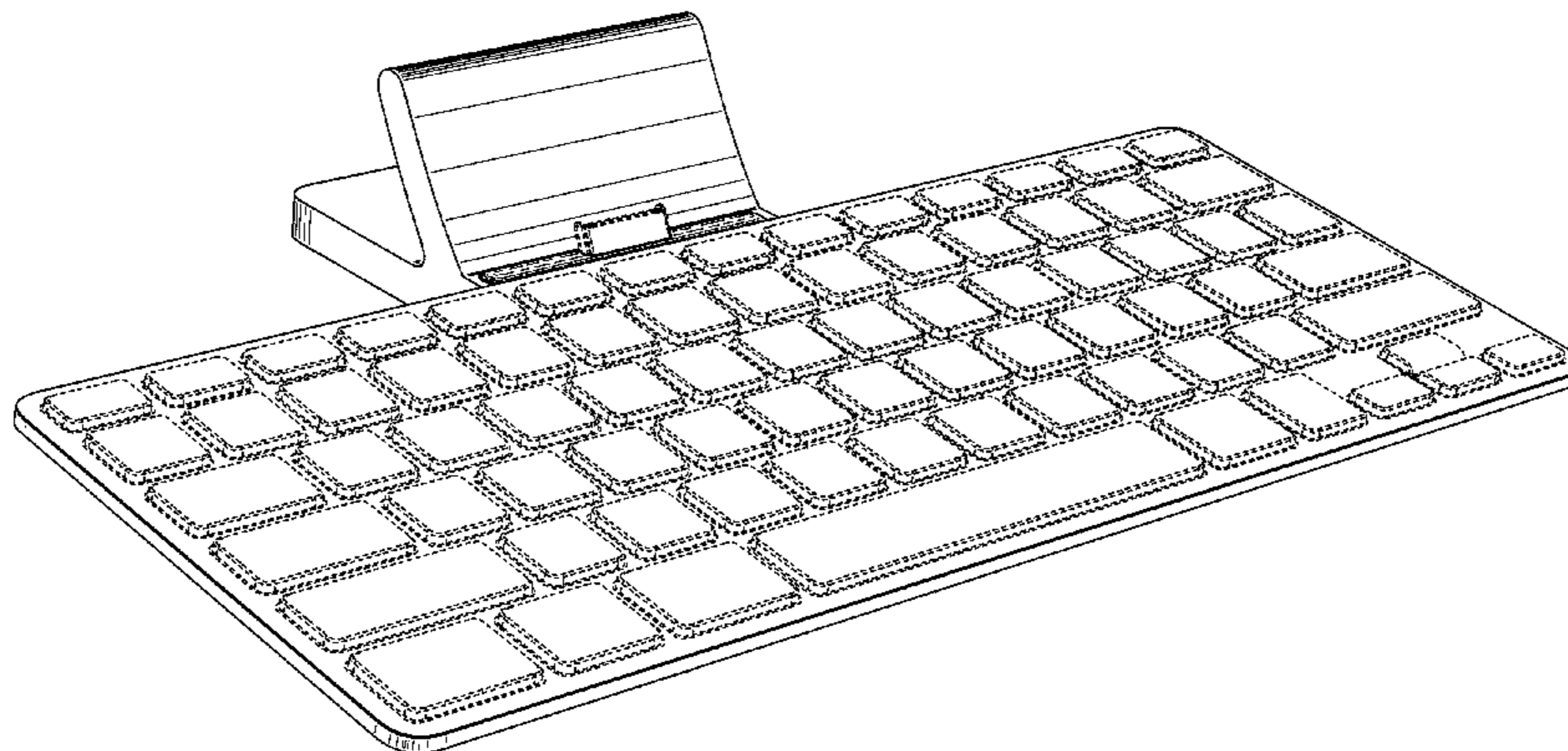
(51) **LOC (9) Cl.** ..... **14-02**

(52) **U.S. Cl.** ..... **D14/434; D14/391; D14/455**

(58) **Field of Classification Search** ..... D14/391-399,  
D14/385, 434, 455, 217; D18/1, 2, 7, 11;  
178/17 A, 17 C; 200/5 A, 5 R, 6 A, 6 R;  
235/145 A, 145 R; 345/160, 168, 169; 341/20,  
341/22, 23; 400/484-489, 492, 472; 361/679.08,  
361/679.09, 679.4, 679.41, 679.31, 679.32,  
361/679.43, 679.55; D13/107, 108

See application file for complete search history.

**1 Claim, 8 Drawing Sheets**



# US D648,725 S

Page 2

## U.S. PATENT DOCUMENTS

D483,771 S 12/2003 Esswein  
6,657,853 B2 \* 12/2003 Oba et al. .... 312/223.2  
D486,488 S \* 2/2004 Olodort et al. .... D14/396  
D494,182 S 8/2004 Singer et al.  
D507,526 S 7/2005 Ohta  
D515,062 S 2/2006 Winebrenner et al.  
6,999,008 B2 \* 2/2006 Wang et al. .... 341/22  
7,068,496 B2 \* 6/2006 Wong et al. .... 361/679.28  
D533,106 S \* 12/2006 Schobinger et al. .... D11/141  
7,200,702 B2 \* 4/2007 Keely et al. .... 710/303  
D545,821 S \* 7/2007 Eroma et al. .... D14/393  
D572,246 S 7/2008 Andre et al.  
D579,917 S 11/2008 Marchand et al.  
D584,731 S 1/2009 Montgomery et al.  
D593,988 S 6/2009 Liu et al.  
D598,451 S 8/2009 Andre et al.  
D599,792 S \* 9/2009 Lin ..... D14/331  
D599,801 S 9/2009 Skaf et al.  
D604,300 S 11/2009 Andre et al.  
D604,736 S 11/2009 Andre et al.

D606,545 S \* 12/2009 Salmon ..... D14/434  
D607,879 S 1/2010 Ferber et al.  
D609,697 S 2/2010 Legrand et al.  
D612,843 S 3/2010 Andre et al.  
D612,844 S 3/2010 Andre et al.  
D616,886 S 6/2010 Andre et al.  
2010/0118485 A1 5/2010 Crooijmans et al.

## OTHER PUBLICATIONS

Images of Sony VAIO PCG-4G1L, available at least as early as May 8, 2006. 8 pages.

U.S. Appl. No. 29/339,181, Andre et al., filed Jun. 25, 2009, entitled "Keyboard."

U.S. Appl. No. 29/342,897, Andre et al., filed Sep. 2, 2009, entitled "Keyboard."

U.S. Appl. No. 29/361,553, Andre et al., filed May 12, 2010, entitled "Keyboard."

Search Report for New Design Patent Application No. 099302712, completed Jan. 20, 2011, 1 page.

\* cited by examiner

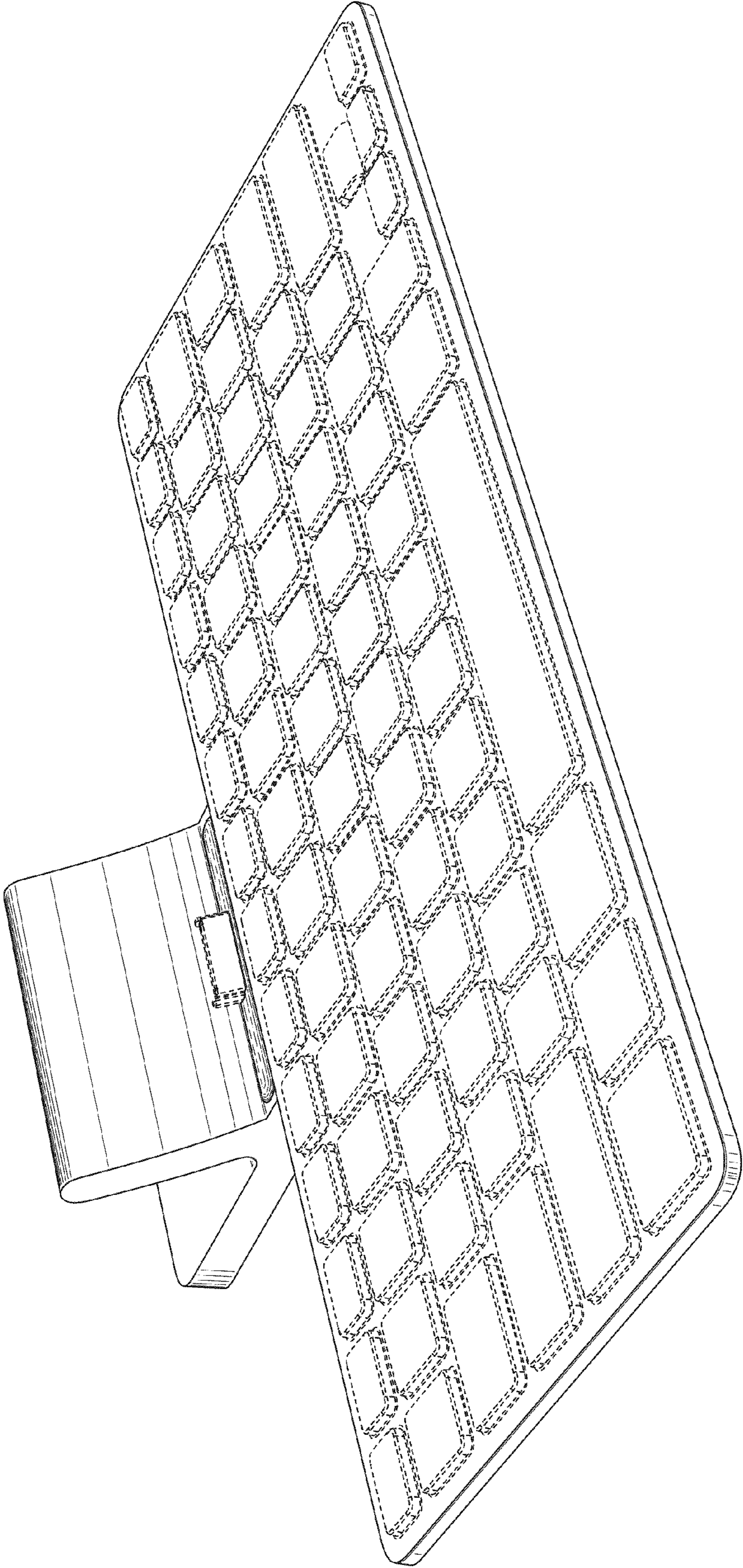


FIG. 1

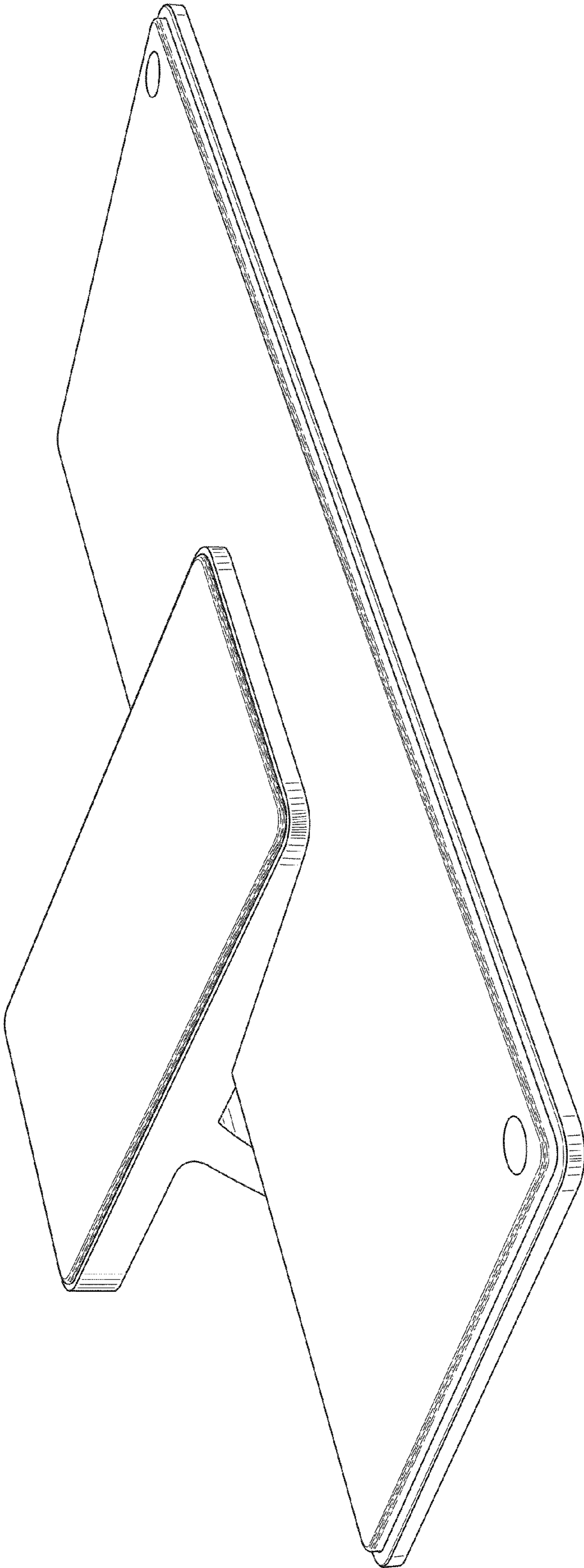


FIG. 2

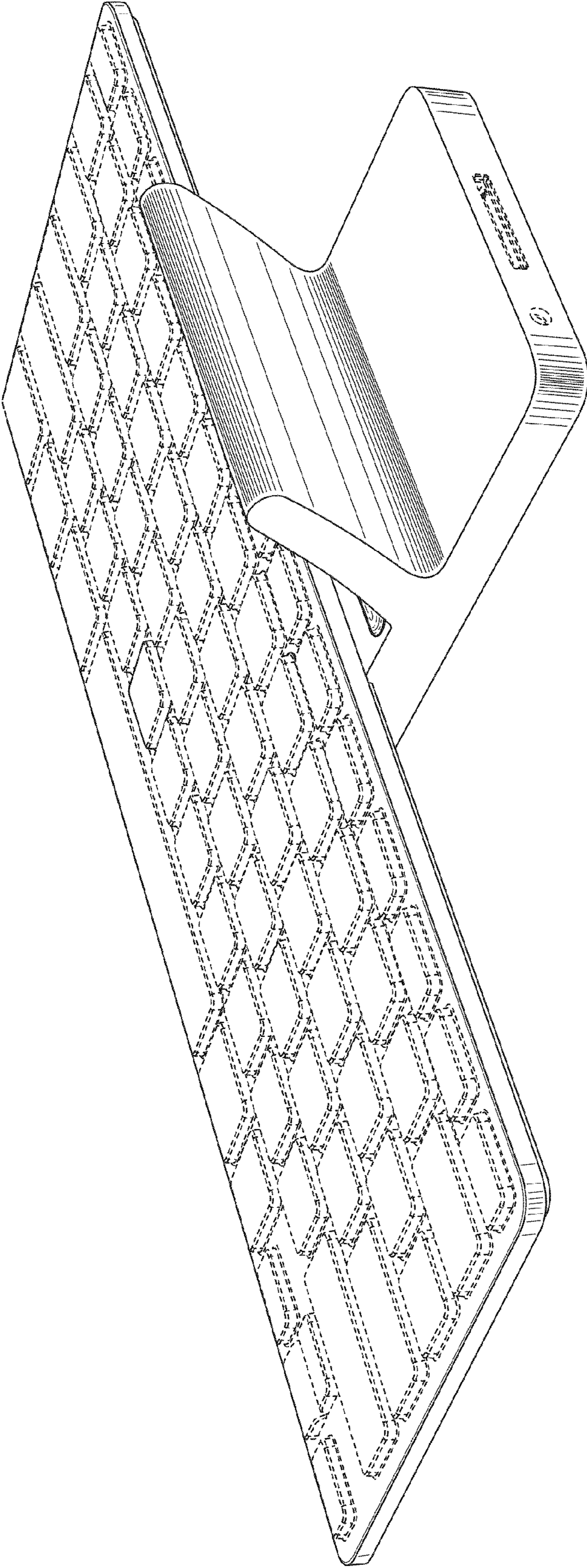


FIG. 3

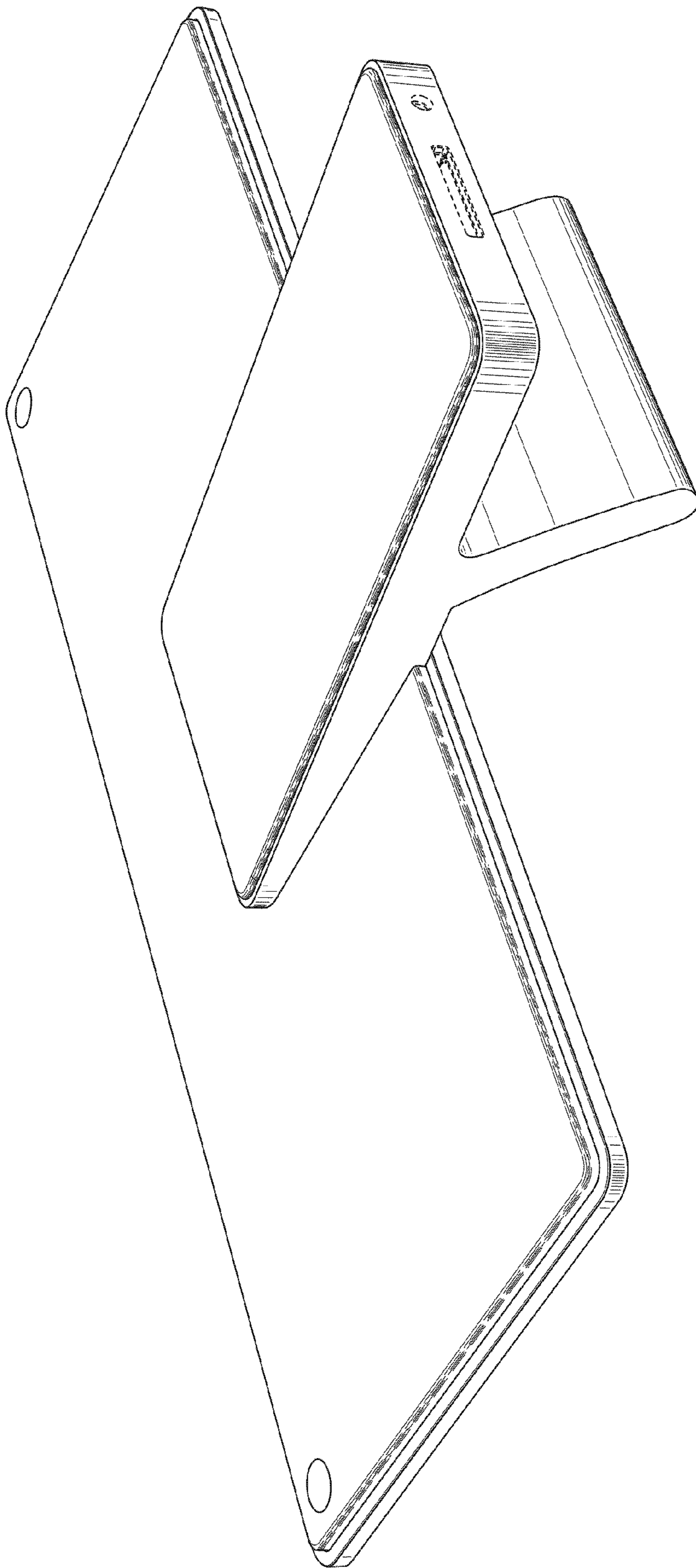


FIG. 4

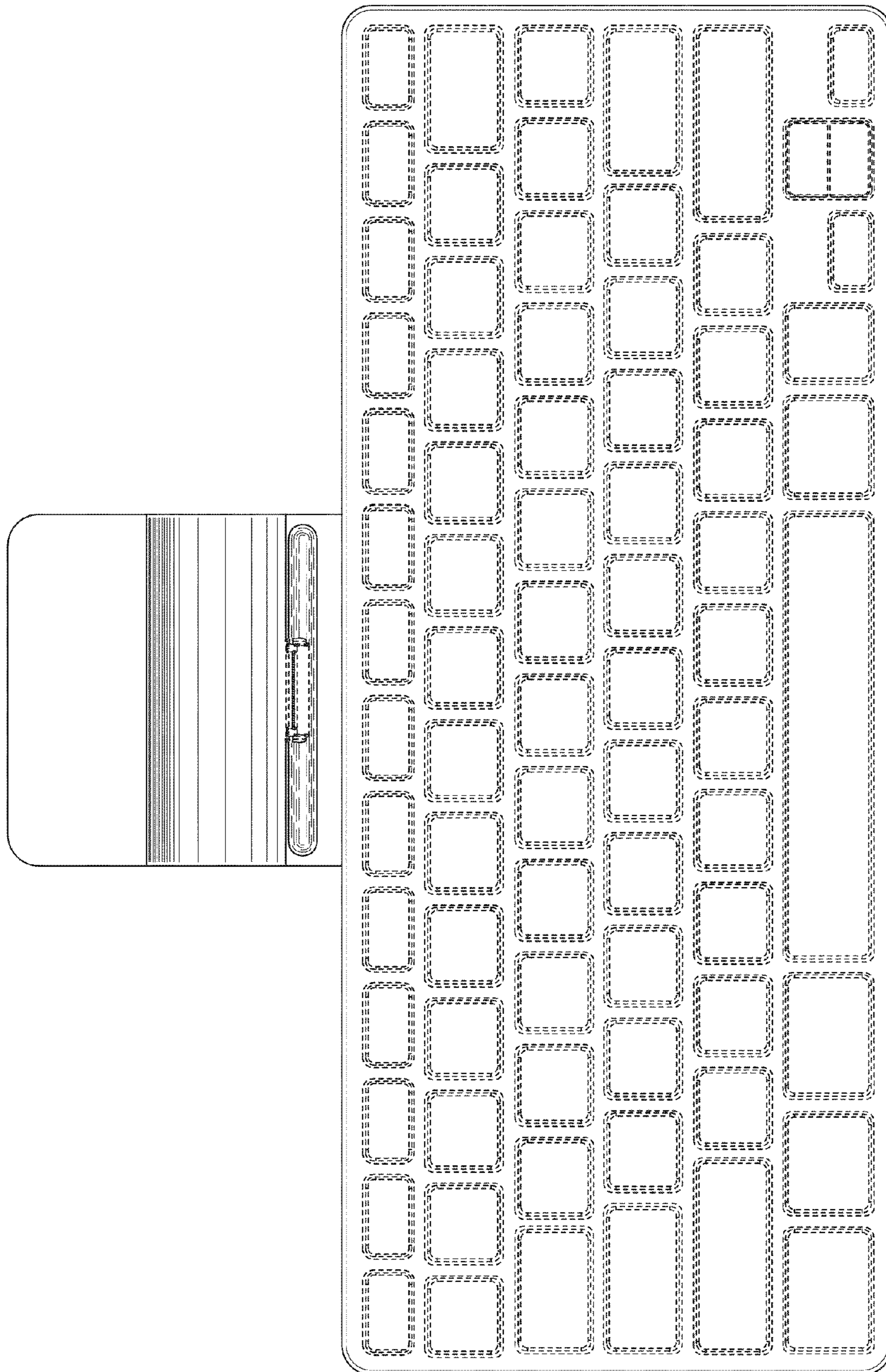


FIG. 5

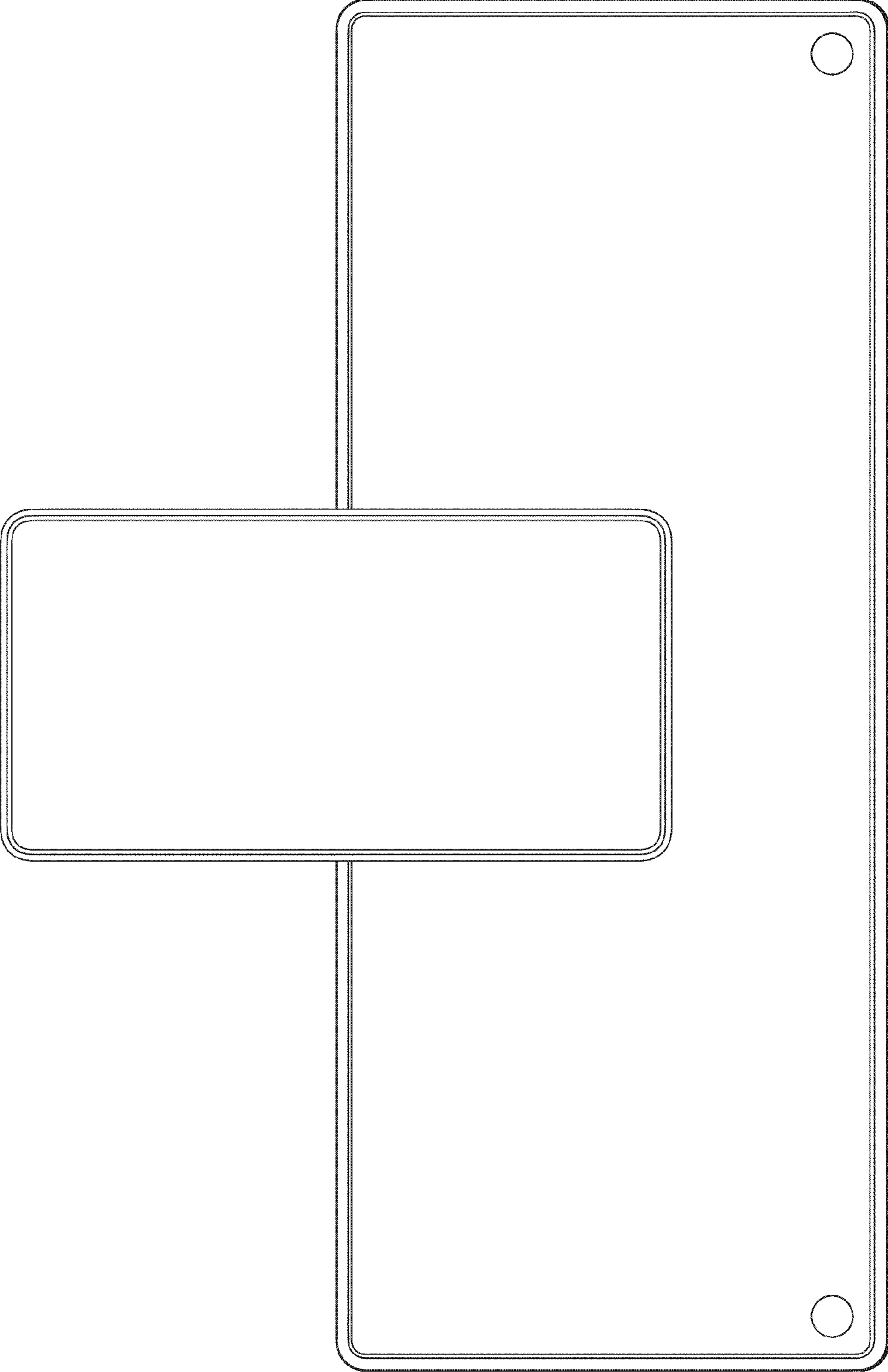


FIG. 6



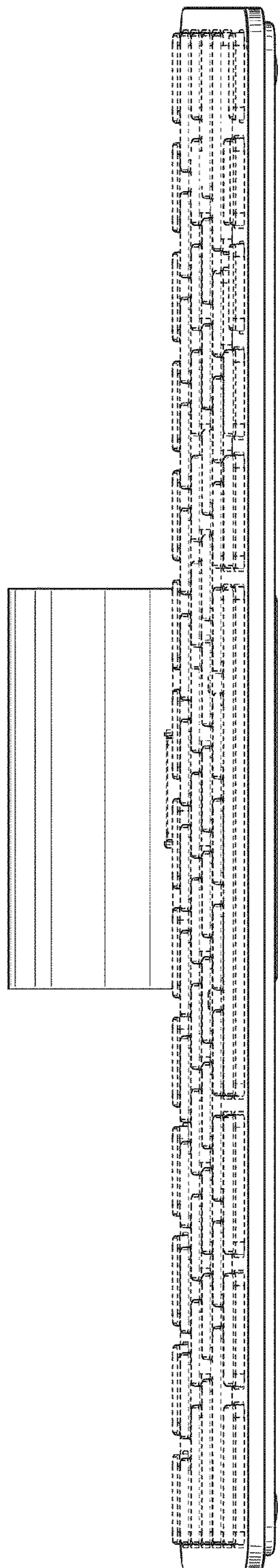


FIG. 7

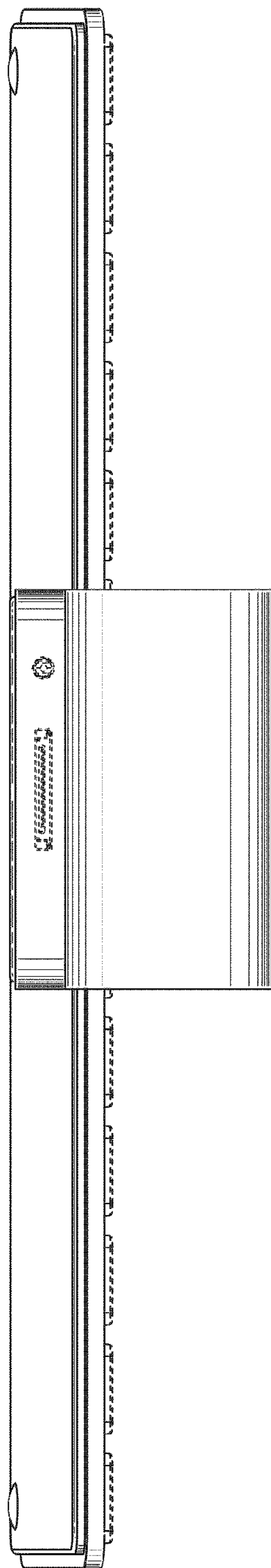
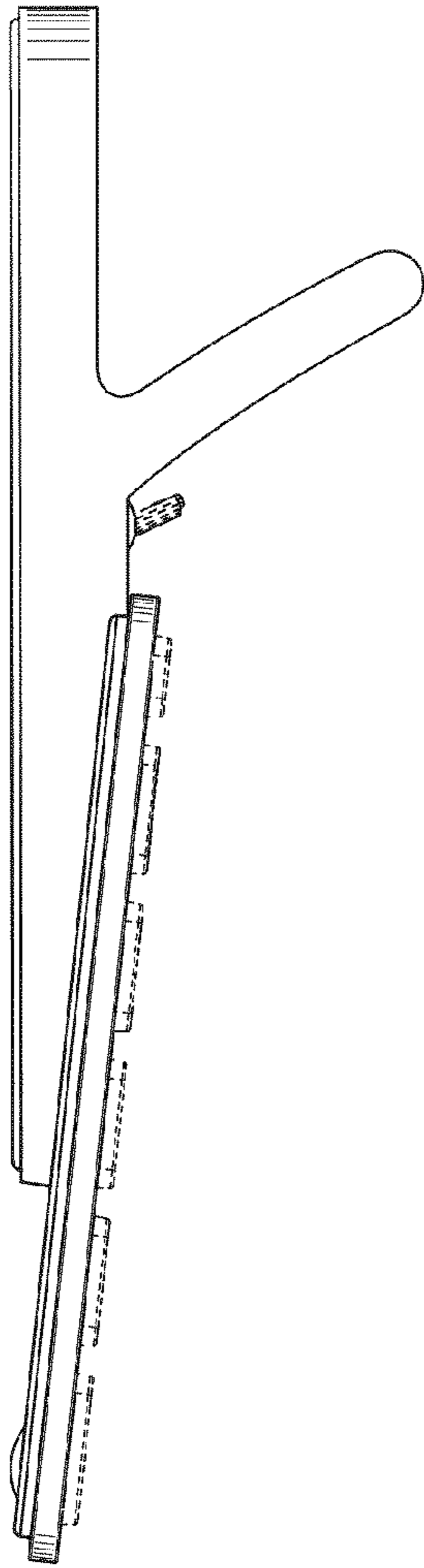
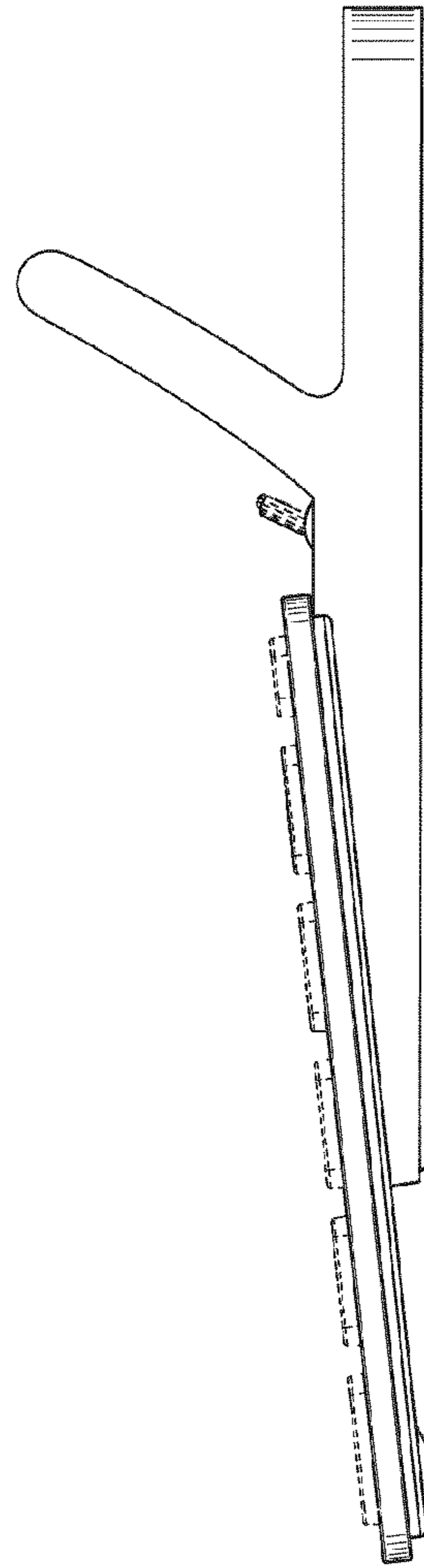


FIG. 8



**FIG. 9**



**FIG. 10**