



US00D648720S

(12) **United States Design Patent**
Heggland et al.

(10) **Patent No.:** **US D648,720 S**

(45) **Date of Patent:** **** Nov. 15, 2011**

(54) **PORTABLE INFORMATION HANDLING SYSTEM**

(75) Inventors: **Kurt Heggland**, Austin, TX (US);
Kenneth Musgrave, Austin, TX (US);
Paul Doczy, Austin, TX (US); **Theodore Pasquale**, Austin, TX (US); **Timothy Dearborn**, Lakeway, TX (US)

(73) Assignee: **Dell Products L.P.**, Round Rock, TX (US)

(**) Term: **14 Years**

(21) Appl. No.: **29/354,079**

(22) Filed: **Jan. 19, 2010**

(51) **LOC (9) Cl.** **14-02**

(52) **U.S. Cl.** **D14/315**

(58) **Field of Classification Search** D14/315-328,
D14/341-345; D18/1, 2, 7, 11; D3/276,
D3/282, 289, 294, 900, 215, 218, 321, 327;
341/22, 23; 361/679.08, 679.09, 679.26,
361/679.27; 400/486, 489; 206/320

See application file for complete search history.

(56) **References Cited**

U.S. PATENT DOCUMENTS

D335,870 S * 5/1993 Yun D14/322
6,067,224 A * 5/2000 Nobuchi 361/679.27
6,073,187 A * 6/2000 Jacobs et al. 710/14

D485,263 S * 1/2004 Kamegi D14/320
6,744,623 B2 * 6/2004 Numano et al. 361/679.27
7,035,665 B2 * 4/2006 Kido et al. 455/566
D523,431 S * 6/2006 Yoon D14/327
D535,652 S * 1/2007 Lee et al. D14/315
D564,511 S * 3/2008 Akhtar D14/318
D589,506 S * 3/2009 Gluskoter et al. D14/315
2005/0018396 A1 * 1/2005 Nakajima et al. 361/683
2005/0041378 A1 * 2/2005 Hamada et al. 361/680

* cited by examiner

Primary Examiner — Freda S Nunn

(74) *Attorney, Agent, or Firm* — Hamilton & Terrile, LLP;
Stephen A. Terrile

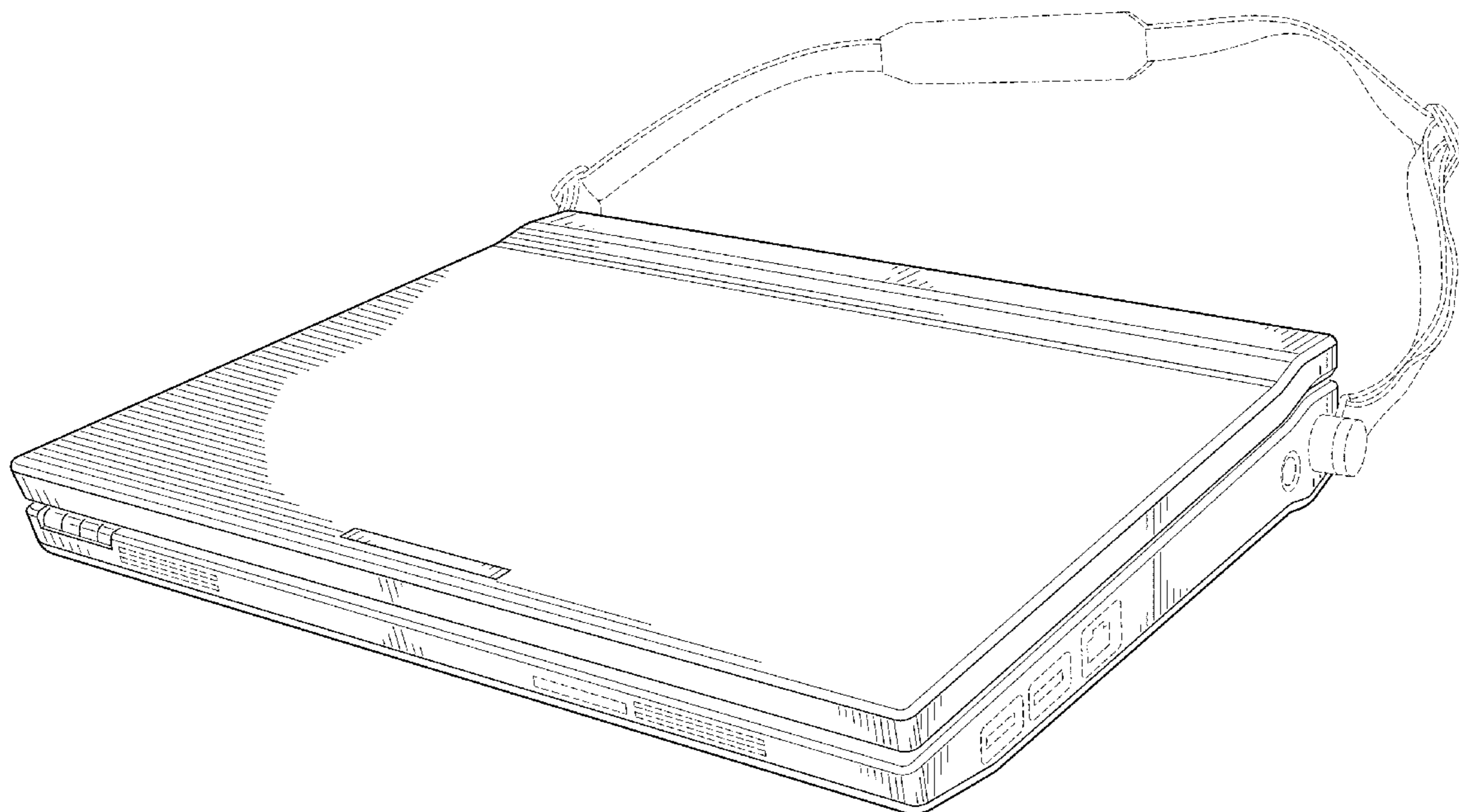
(57) **CLAIM**

The ornamental design for a portable information handling system, as shown and described.

DESCRIPTION

FIG. 1 is a front perspective view of the portable information handling system comprising the present invention;
FIG. 2 is a front side view thereof;
FIG. 3 is a right side view thereof;
FIG. 4 is a left side view thereof;
FIG. 5 is a back side view thereof;
FIG. 6 is a top plan view thereof;
FIG. 7 is a bottom plan view thereof; and,
FIG. 8 is another front perspective view thereof.
Broken lines are shown for illustrative purposes only and form no part of the claimed design.

1 Claim, 6 Drawing Sheets



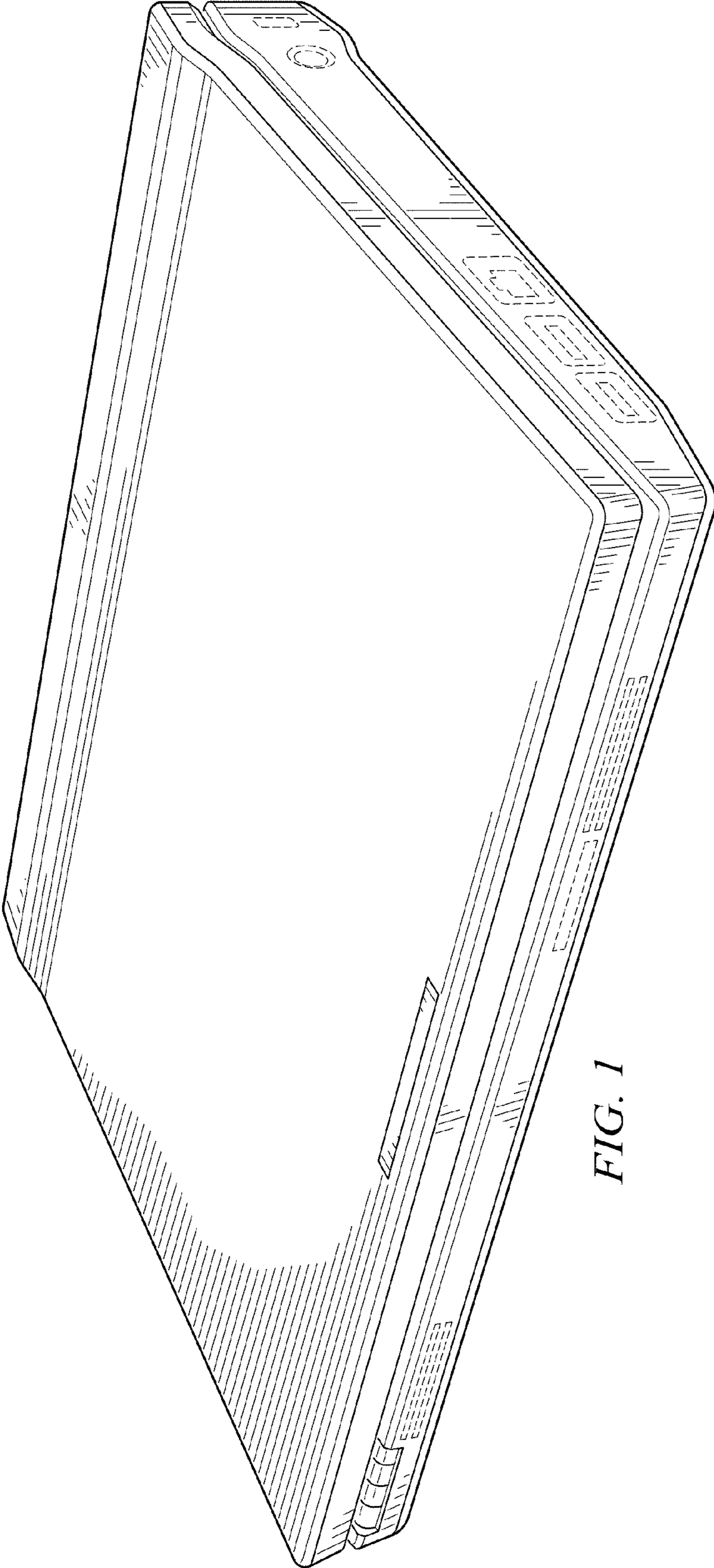


FIG. 1

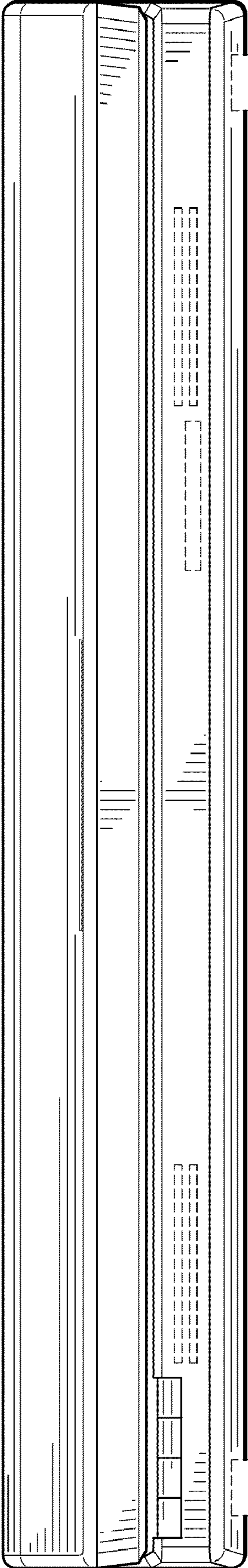


FIG. 2

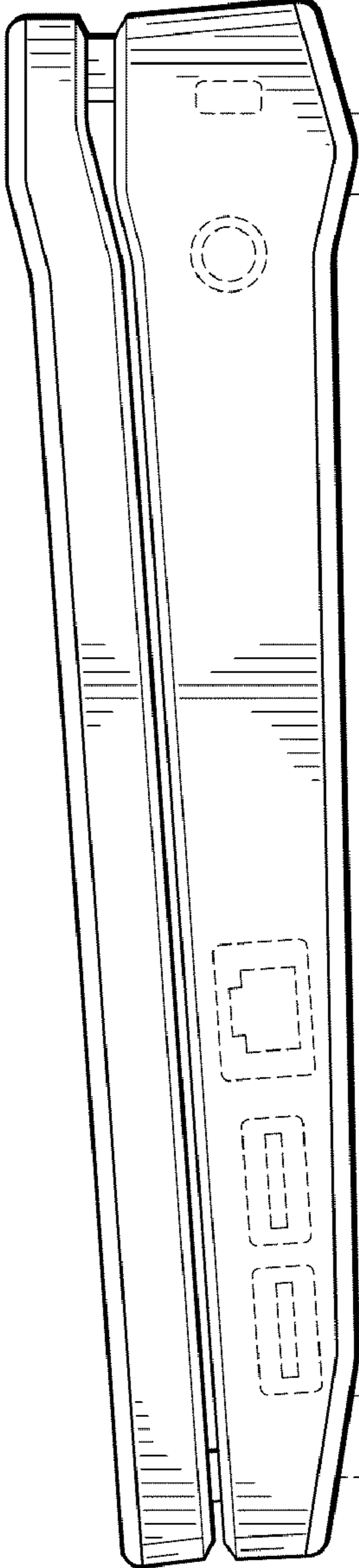


FIG. 3

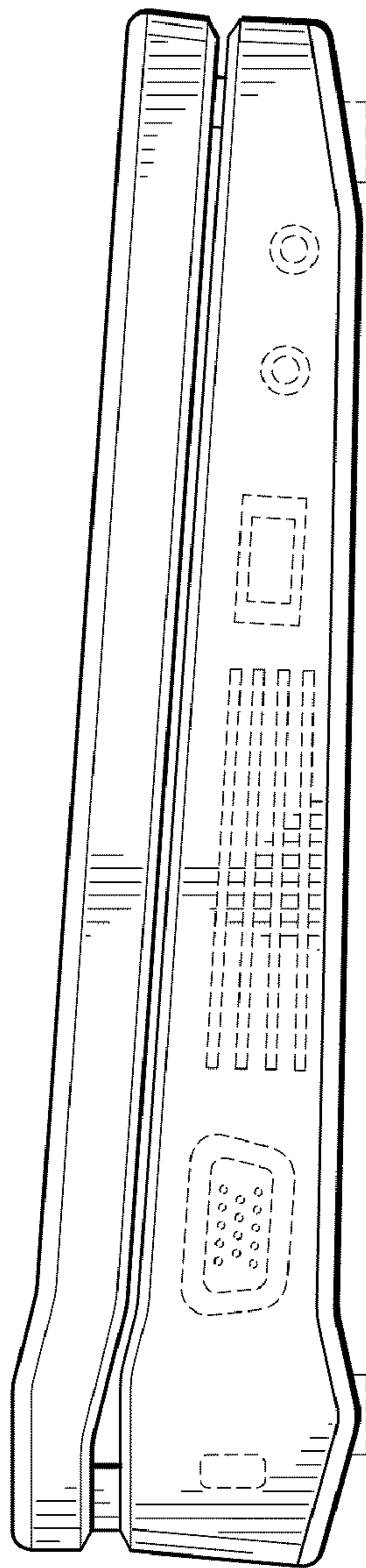


FIG. 4

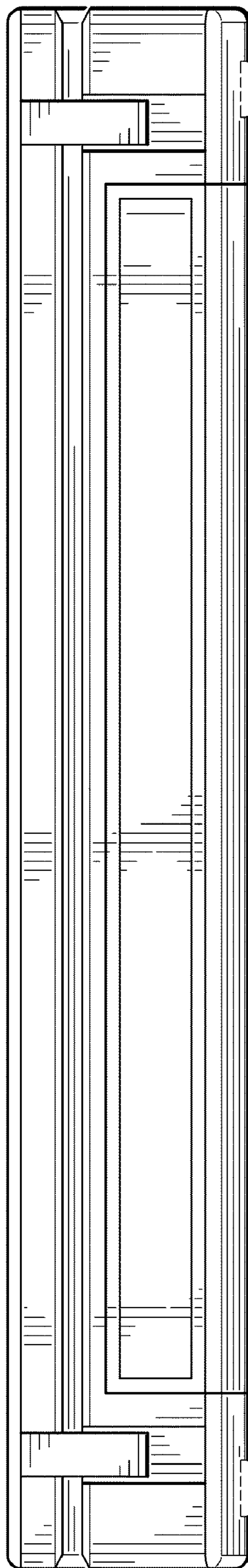


FIG. 5

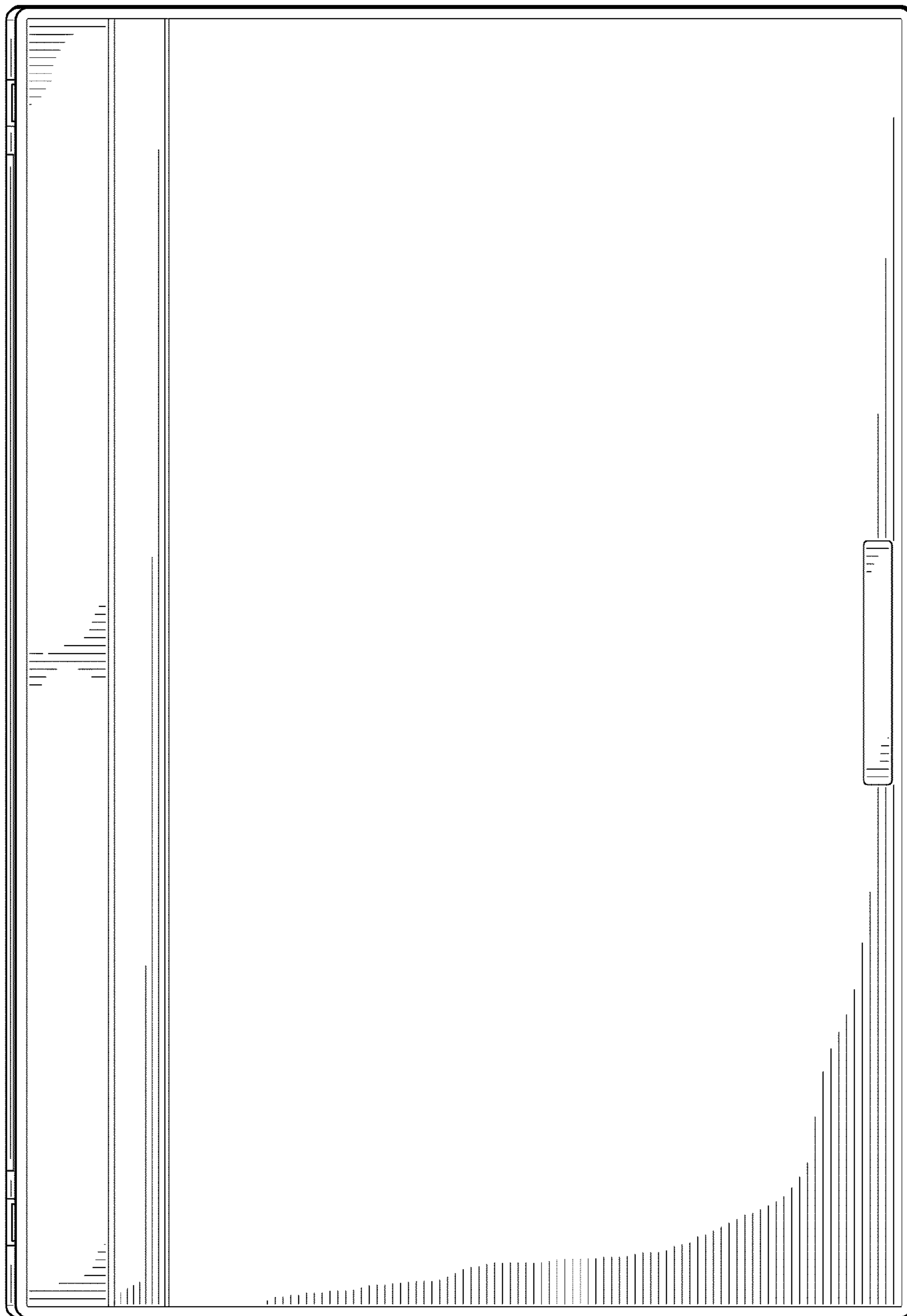


FIG. 6

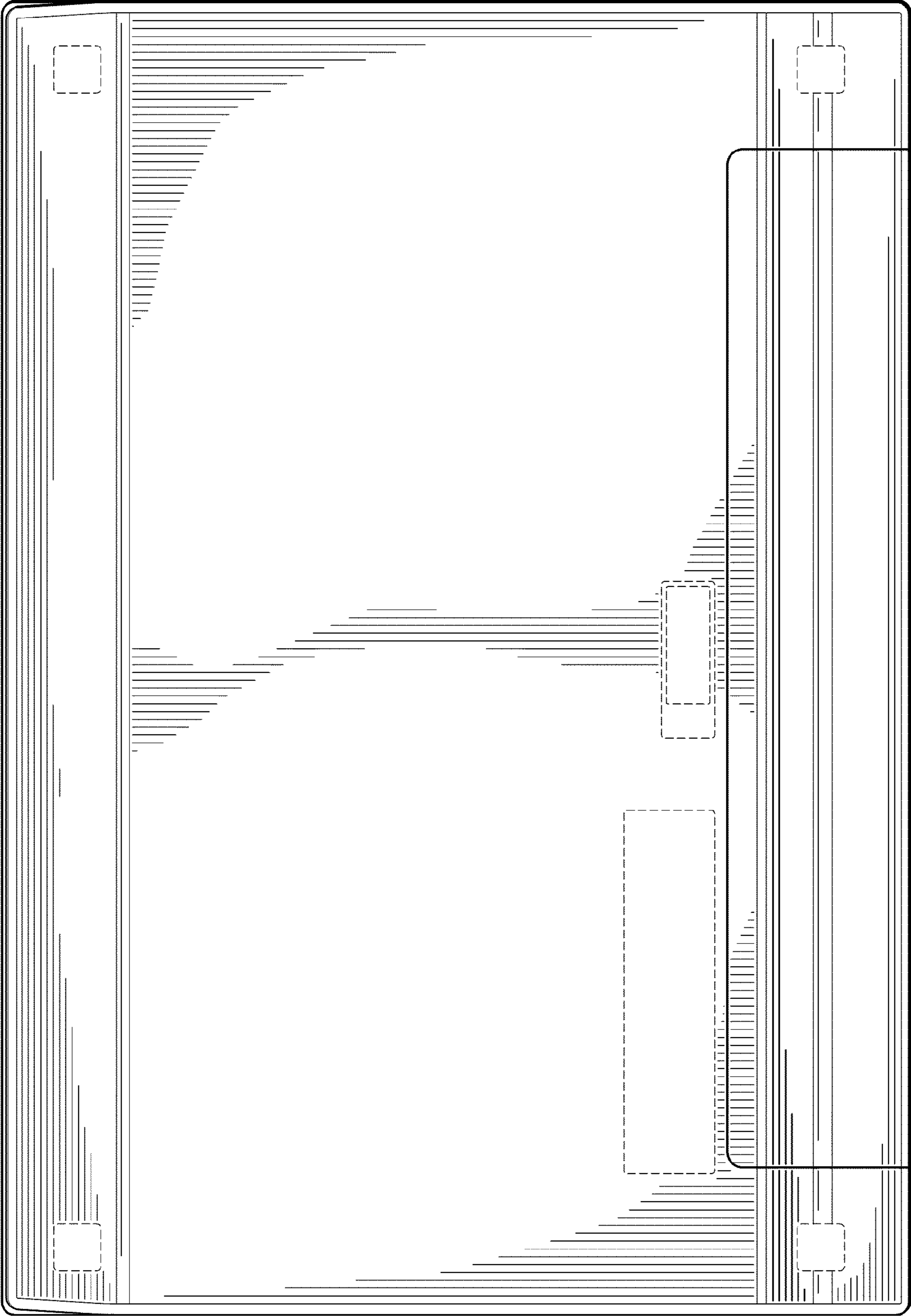


FIG. 7

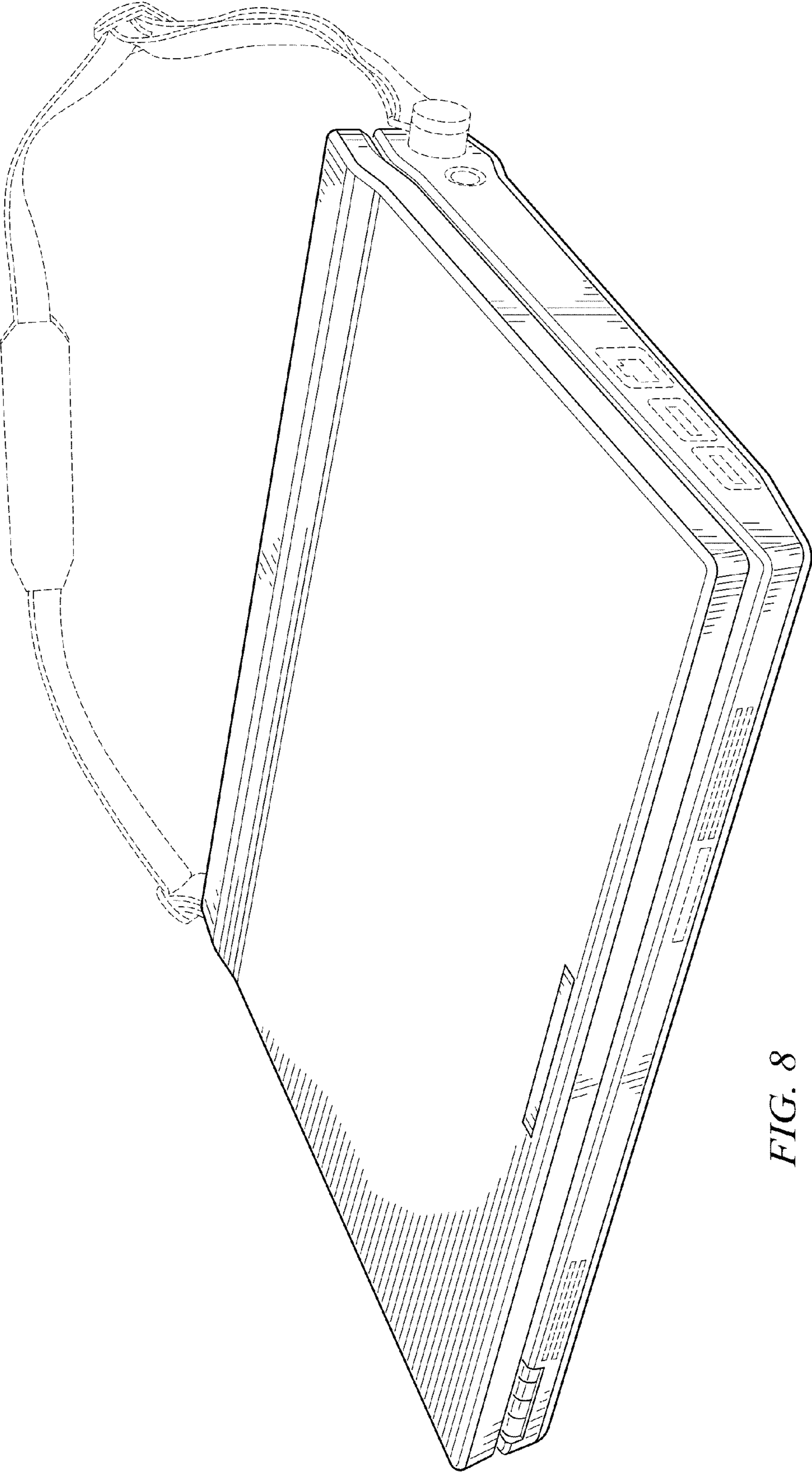


FIG. 8